

# P160.1, P160.1 B

---

Model:

P 160.1-10 B X-TRA

P 160.1-15

P 160.1-15 SPECIAL

P 160.1-15 X-TRA



Stykliste Dansk

07-06-2011

# Nilfisk

[www.nilfisk.com](http://www.nilfisk.com)

# Indholdsfortegnelse

P160.1, P160.1 B

<b>Chassis P150.1 B, P160.1 B</b>	<b>3</b>
<b>Chassis P150.1, P160.1</b>	<b>6</b>
<b>Hose reel B X-TRA</b>	<b>9</b>
<b>Hose reel X-TRA</b>	<b>11</b>
<b>Motor pump unit for P150/160</b>	<b>13</b>
<b>Motor pump unit for ERGO/SPECIAL</b>	<b>16</b>
<b>Motor pump unit for B X-TRA</b>	<b>19</b>
<b>Motor pump unit without pressure regulation - B</b>	<b>21</b>
<b>Motor pump unit without pressure regulation - B X-</b>	<b>23</b>
<b>Default accessories</b>	<b>25</b>

# Chassis P150.1 B, P160.1 B

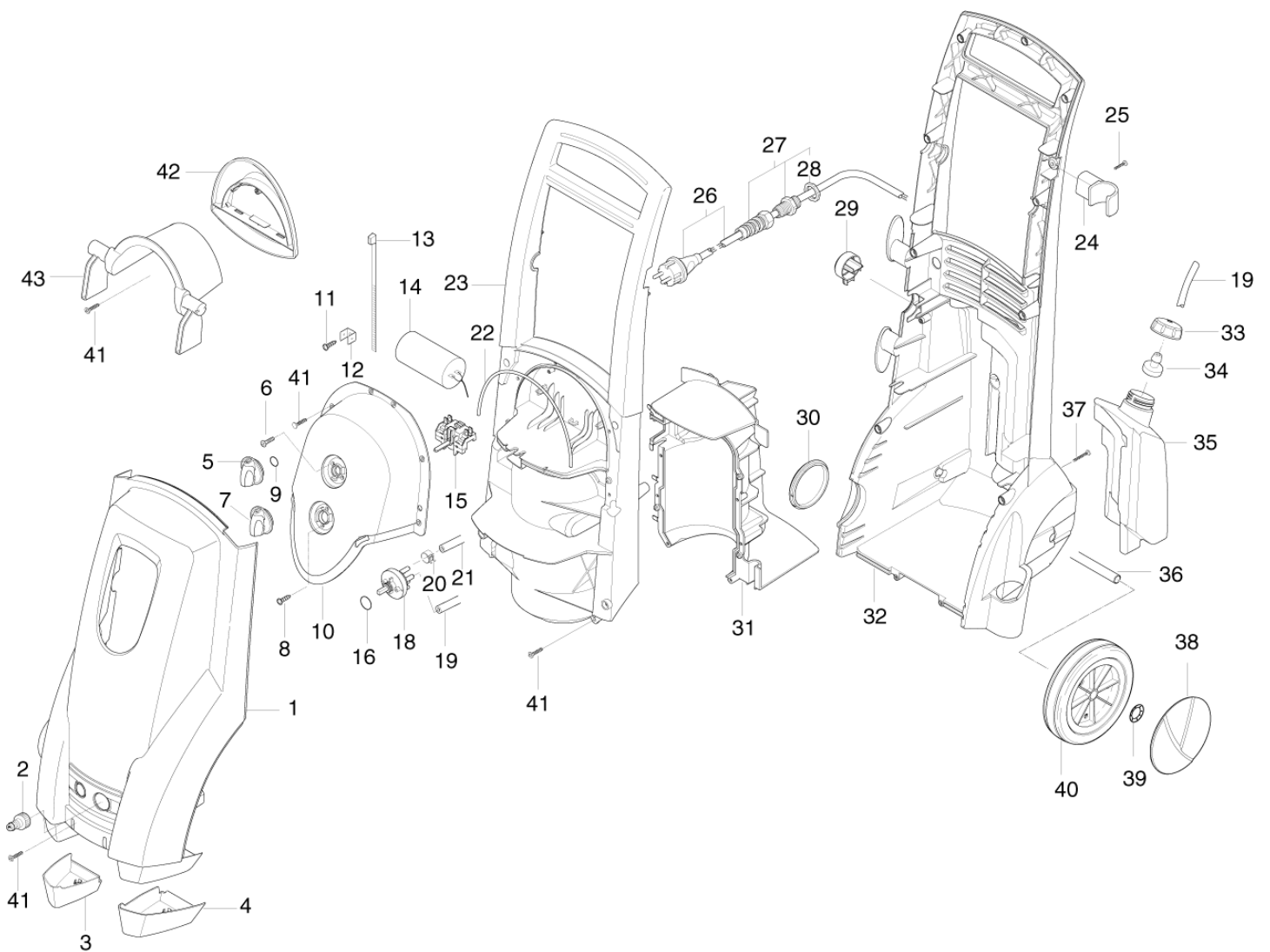
P160.1, P160.1 B

07-06-2011

StyMiste ID

P02

3



# Chassis P150.1 B, P160.1 B

07-06-2011

StyMiste ID

P02

P160.1, P160.1 B

4

Pos	Vare nr.	Ant	Beskrivelse	EAN
1	6528690	1	KABINETFRONT	5701715353
2	1402809	1	LYNKOBLINGSSTUDS	5701715008
3	6528565	1	STØTTEFOD HØJRE	5701715379
4	6528566	1	STØTTEFOD VENSTRE	5701715379
5	909100204	1	DREJEKNAP	4005337689
6	1803451	2	MASKINSKRUE 4X10	5701715028
7	909100214	1	DREJEKNAP GR.1 4KT	4005337026
8	1814730	2	SKRUE 35X10B	5701715363
9	9868	1	O-RING 10.0X2.5	4005337098
10	6528416	1	LÅG FOR ELKASSE	5701715379
11	1814585	1	PT-SKRUE K30X12	5701715121
12	1814725	1	SPADESTIK	5701715363
13	1814741	1	STRIPS	5701715363
14	3821793	1	KONDENSATOR 50UF	5701715342
15	301001058	1	START/STOP KONTAKT	4005337030
16	3004221	1	O-RING 16X2	5701715039
18	126528628	1	DOSING VALVE (NEW)	5703887100
19	5206040	1	PVC SLANGE	5701715312
20	1814679	1	SPÆNDEBÅND	5701715338
21	5206054	1	SLANGE	4005337171
22	6528414	1	O-RINGSSNOR	5701715379
23	6528552	1	CHASSIS FRONT SORT	5701715379
24	6528573	1	LANSEHOLDER Ø38	5701715379
25	1814732	2	SKRUE K50X18	5701715363
26	6521455	1	KABEL M. STIK EU	5701715378
26	6521456	1	CABLE WITH PLUG L.5000 GB	5701715378
26	6521457	1	CABLE WITH PLUG L.5000 CH	5701715378
27	6528601	1	KABELAFLASTNING	5701715379
28	1953	1	MØTRIK PG11	4005337019
29	126528650	1	STIK	5701715420
30	126528651	1	PLUG F. PRES.REG.KNOP HOL E	5701715420
31	6528561	1	MOTORSKJOLD, BAGPART	5701715379
32	6528562	1	CHASSIS BAGPART, SORT	5701715347
33	6528411	1	LÅG FOR TANK	5701715379
34	6400240	1	FILTER	5701715097
35	6528557	1	DETERGENT TANK	5701715379
36	6522842	1	AKSEL	5701715378
37	1814722	2	SKRUE K50X35	5701715363
38	6522843	2	NAVKAPSEL	5701715378
39	11710	2	LÅSERING	4005337117
40	6528568	2	HJUL	5701715379
41	101814782	31	SKRUE	4005337170

# Chassis P150.1 B, P160.1 B

P160.1, P160.1 B

07-06-2011

StyMiste ID

P02

5

Pos	Vare nr.	Ant	Beskrivelse		EAN
42	6528445	1	SLANGEOPHÆNG FRONT	NOT X-TRA	5701715379
43	6528444	1	SLANGEOPHÆNG BAGPART	NOT X-TRA	5701715379
44	128307017	1	10PCS BOXES TO P150/P160	P 150.1 / P 160.1	5703887106

# Chassis P150.1, P160.1

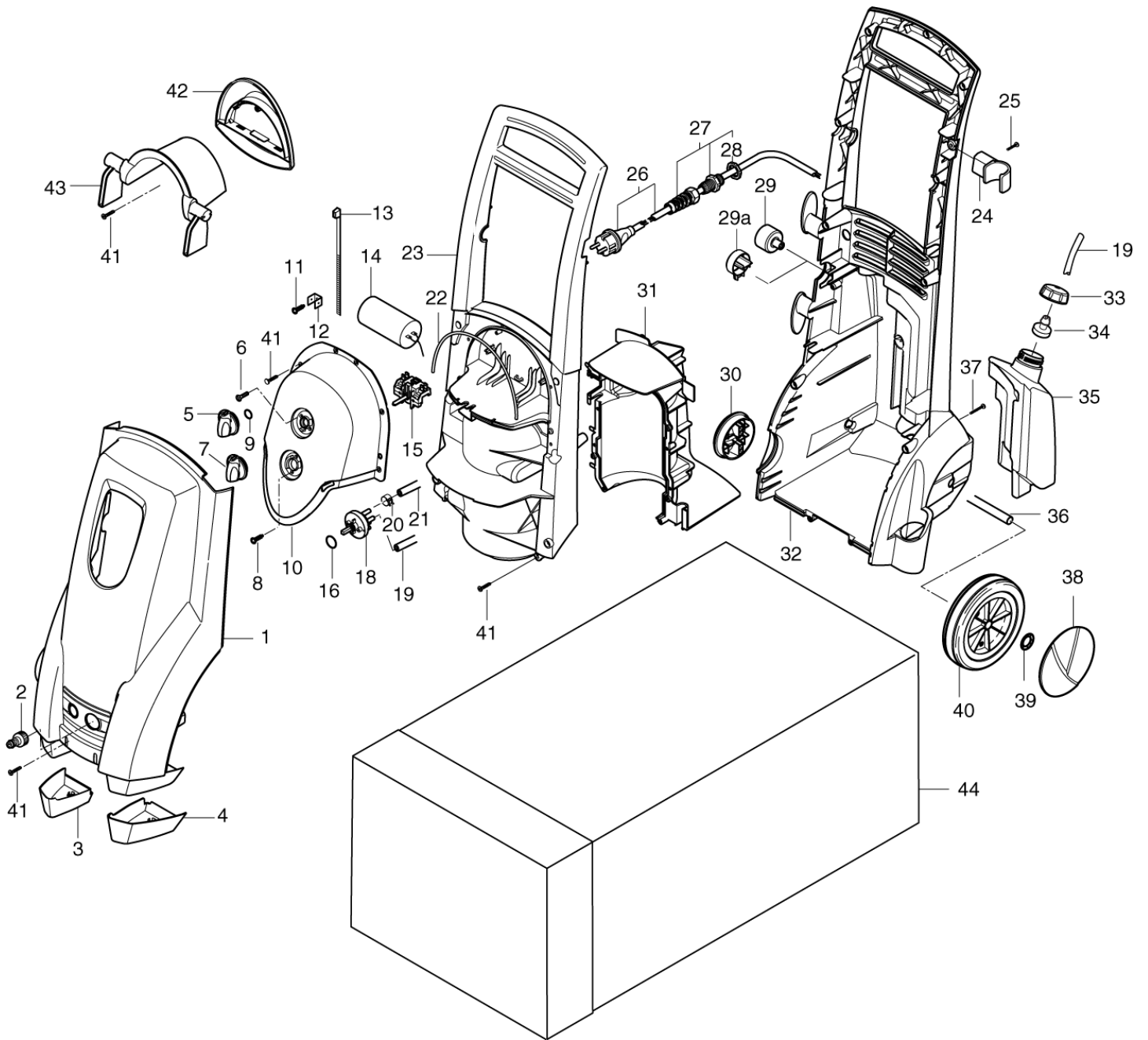
P160.1, P160.1 B

07-06-2011

StyMiste ID

P03

6



# Chassis P150.1, P160.1

P160.1, P160.1 B

07-06-2011

StyMiste ID

P03

7

Pos	Vare nr.	Ant	Beskrivelse	EAN
1	6528690	1	KABINETFRONT	5701715353
2	1402809	1	LYNKOBLINGSSTUDS	5701715008
3	6528565	1	STØTTEFOD HØJRE	5701715379
4	6528566	1	STØTTEFOD VENSTRE	5701715379
5	909100204	1	DREJEKNAP	4005337689
6	1803451	2	MASKINSKRUE 4X10	5701715028
7	909100214	1	DREJEKNAP GR.1 4KT	4005337026
8	1814730	2	SKRUE 35X10B	5701715363
9	9868	1	O-RING 10.0X2.5	4005337098
10	6528416	1	LÅG FOR ELKASSE	5701715379
11	1814585	1	PT-SKRUE K30X12	5701715121
12	1814725	1	SPADESTIK	5701715363
13	1814741	1	STRIPS	5701715363
14	3821793	1	KONDENSATOR 50UF	5701715342
15	301001058	1	START/STOP KONTAKT	4005337030
16	3004221	1	O-RING 16X2	5701715039
18	126528628	1	DOSING VALVE (NEW)	5703887100
19	5206040	1	PVC SLANGE	5701715312
20	1814679	1	SPÆNDEBÅND	5701715338
21	5206054	1	SLANGE	4005337171
22	6528414	1	O-RINGSSNOR	5701715379
23	6528552	1	CHASSIS FRONT SORT	5701715379
24	6528572	1	LANSEHOLDER Ø47	5701715379
			Not for P 140	
24	6528573	1	LANSEHOLDER Ø38	5701715379
25	1814732	2	SKRUE K50X18	5701715363
26	6521455	1	KABEL M. STIK EU	5701715378
26	6521456	1	CABLE WITH PLUG L.5000 GB	5701715378
26	6521457	1	CABLE WITH PLUG L.5000 CH	5701715378
26	6521458	1	ELECTRIC CABLE WITH PLUG 5M-ZA	5703887105
26	6521459	1	CABLE WITH PLUG AUS NZ	5701715378
26	6521460	1	CABLE WITH PLUG L5000 J	5701715378
27	6528601	1	KABELAFLASTNING	5701715379
28	1953	1	MØTRIK PG11	4005337019
29	127440027	1	MANOMETER 0-315 BAR WHITE	5703887106
30	6528435	1	TRYKHOLDEGREB	5701715379
31	6528561	1	MOTORSKJOLD, BAGPART	5701715379
32	6528562	1	CHASSIS BAGPART, SORT	5701715347
33	6528411	1	LÅG FOR TANK	5701715379
34	6400240	1	FILTER	5701715097
35	6528557	1	DETERGENT TANK	5701715379
36	6522842	1	AKSEL	5701715378
37	1814722	2	SKRUE K50X35	5701715363

# Chassis P150.1, P160.1

P160.1, P160.1 B

07-06-2011

StyMiste ID

P03

8

Pos	Vare nr.	Ant	Beskrivelse	EAN
38	6522843	2	NAV/KAPSEL	5701715378
39	11710	2	LÅSERING	4005337117
40	6528568	2	HJUL	5701715379
41	101814782	31	SKRUE	4005337170
42	6528445	1	SLANGEOPHÆNG FRONT	5701715379
43	6528444	1	SLANGEOPHÆNG BAGPART	5701715379
44	126486889	1	BOX-10 PCS OF POSEIDON	5701715420
44	128307017	1	10PCS BOXES TO P150/P160	P 150.1 / P 160.1 5703887106
NI	126486899	1	BOX-10 PCS. OF P150/P160 X-TRA	5701715420



# Hose reel B X-TRA

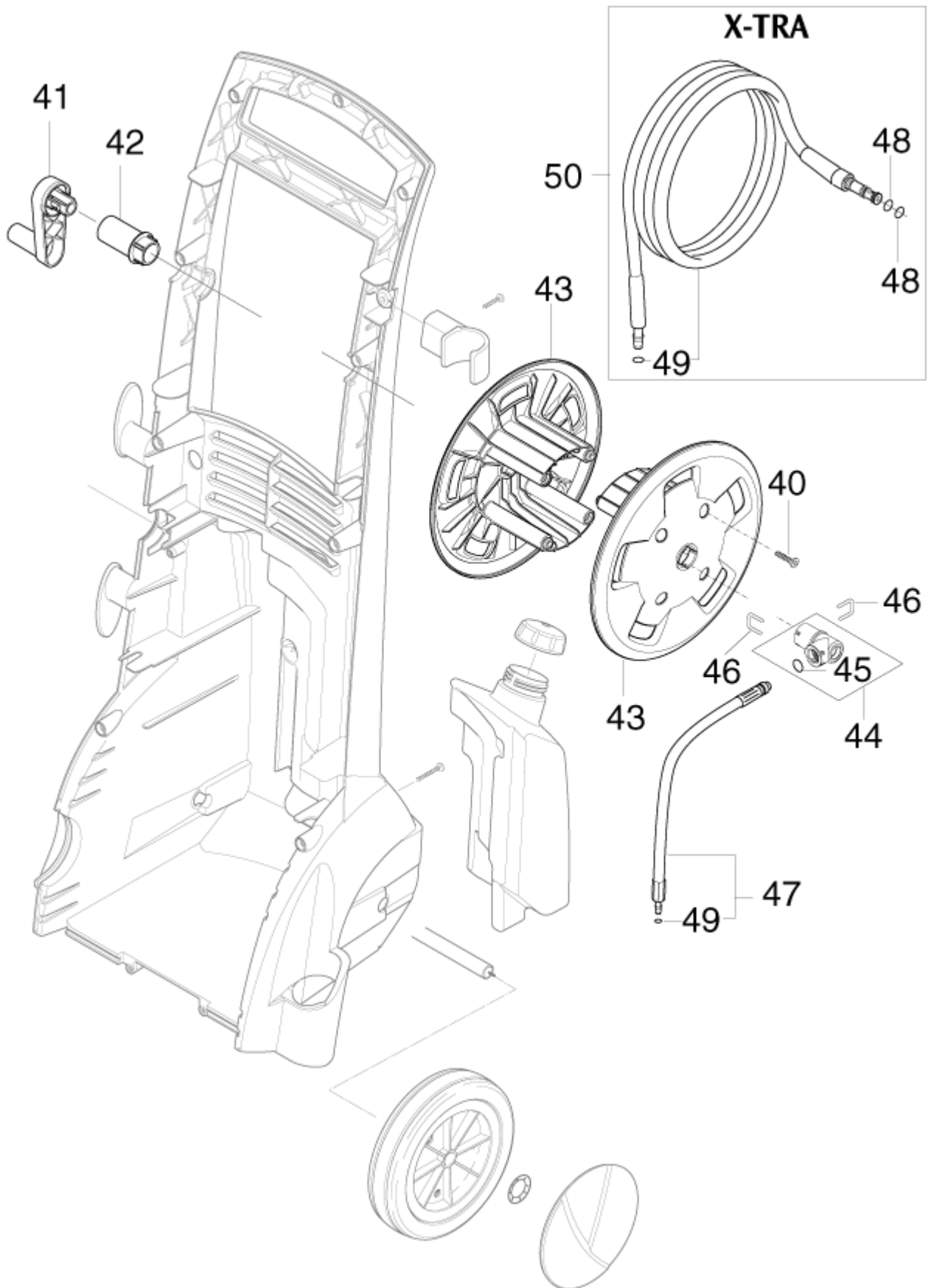
P160.1, P160.1 B

07-06-2011

StyMiste ID

P04

9



# Hose reel B X-TRA

P160.1, P160.1 B

07-06-2011

StyMiste ID

P04

10

Pos	Vare nr.	Ant	Beskrivelse	EAN
40	101814782	4	SKRUE	4005337170
41	6528569	1	HÅNDTAG, SLANGEOPRUL	5701715379
42	6528571	1	ADAPTOR	5701715379
43	6528570	2	SLANGERULLE	5701715379
44	6127006	1	CONNECTOR	5701715280
45	3002144	1	O-RING 14,3X2,4 NITRIL	5701715038
46	6526487	2	LÅSEBØJLE RF	5701715239
47	127500075	1	SLANGE	5703887104
48	3004321	2	O-RING	5701715280
49	3004304	2	O-RING	5701715269
50	126481143	1	HØJTRYKSSLANGE 10M. X-TRA	5703887102
50	6528611	1	STÅLARMERET SLANGE 15M	5701715337

# Hose reel X-TRA

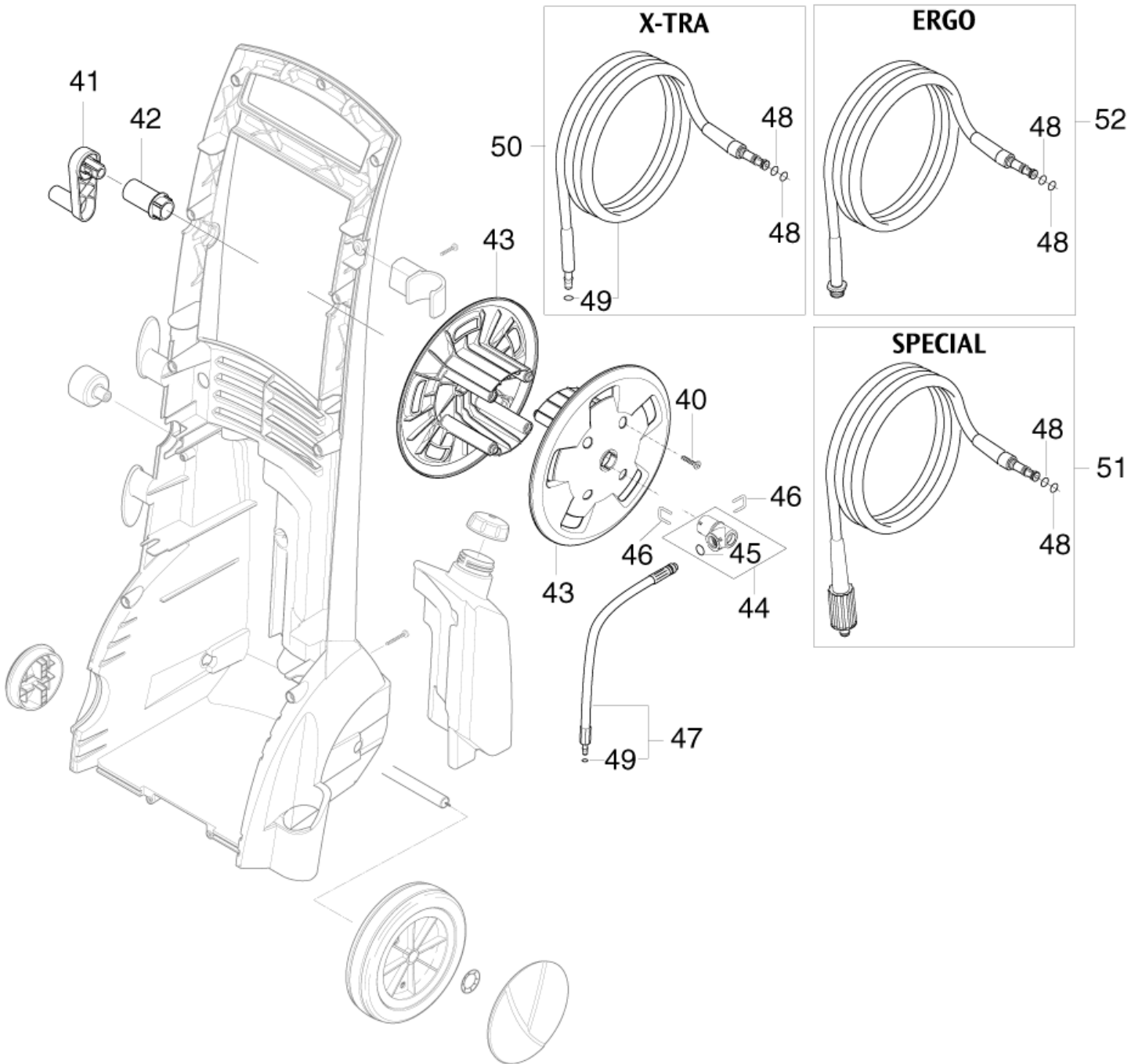
P160.1, P160.1 B

07-06-2011

StyMiste ID

P05

11



# Hose reel X-TRA

P160.1, P160.1 B

07-06-2011

StyMiste ID

P05

12

Pos	Vare nr.	Ant	Beskrivelse	EAN
40	101814782	4	SKRUE	4005337170
41	6528569	1	HÅNDTAG, SLANGEOPRUL	5701715379
42	6528571	1	ADAPTOR	5701715379
43	6528570	2	SLANGERULLE	5701715379
44	6127006	1	CONNECTOR	5701715280
45	3002144	1	O-RING 14,3X2,4 NITRIL	5701715038
46	6526487	2	LÅSEBØJLE RF	5701715239
47	127500075	1	SLANGE	5703887104
48	3004321	2	O-RING	5701715280
49	3004304	2	O-RING	Only for X-TRA 5701715269
49	6411221	1	POSE M. 20 O-RINGE (3004 304)	5701715377
50	6528611	1	STÅLARMERET SLANGE 15M	Only for X-TRA 5701715337
51	6528612	1	SLANGE, 15 M STÅLARMERET	Only for PRO SPECIAL 5701715348
52	6528613	1	SLANGE, 15 M STÅLARMERET	Only for PRO ERGO 5701715348

# Motor pump unit for P150/160

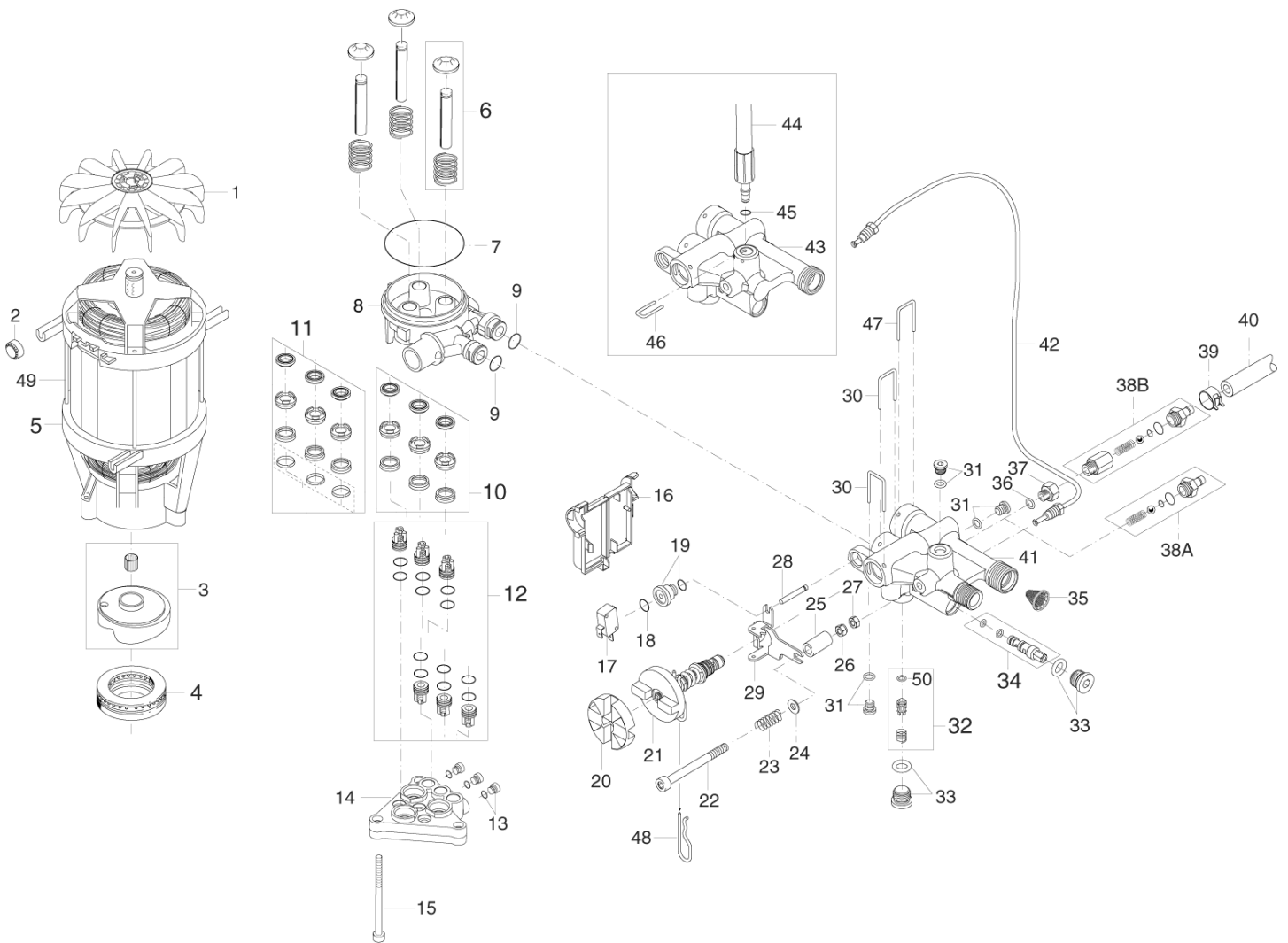
P160.1, P160.1 B

07-06-2011

StyMiste ID

P06A

13



# Motor pump unit for P150/160

P160.1, P160.1 B

07-06-2011

StyMiste ID

P06A

14

Pos	Vare nr.	Ant	Beskrivelse	EAN
1	6524042	1	VENTILATOR	5701715313
2	6524050	4	GUMMIOPHÆNG	5701715261
3	6528592	1	SKRÅSKIVE 3,3KW	5701715379
4	1119705	1	REP.SÆT LEJE	5701715116
5	6528594	1	MOTOR 3,3KW	140, 120, 150.1, 130.1 5701715379
6	6528577	3	TRYKSTEMPEL KERAMISK	140, 120, 150.1, 130.1 5701715379
7	3003654	1	O-RING 80X2 NITRIL	5701715038
8	127440029	1	CYLINDERBLOCK COMPLETE	5703887106
9	3001393	2	O-RING 17,13X2,62 NITRIL	5701715037
10	6526018	1	REP. SÆT TÆTNINGSSYSTEM	5701715124
11	6528602	1	REP.SÆT TÆTNINGSSYSTEM	For Ceramic pistons 5701715379
12	6526026	1	REP. SÆT VENTILSYSTEM	5701715124
13	6528586	1	PROP MED O-RING	5701715342
14	6528616	1	TOPSTYKKE +0.3	5701715396
15	1814597	3	SKRUE M8X70	5701715124
16	6528578	1	MICROSWITCH BOX	5701715379
17	3821991	1	MICRO SWITCH	5701715369
18	3004082	1	O-RING	5701715038
19	6528598	1	PROP M. O-RING	5701715379
20	6528579	1	SLIDE	5701715379
21	126528629	1	VENTILSTEMPEL	5701715419
22	1814740	1	SKRUE M6X65	5701715342
23	2602522	1	FJEDER	5701715365
24	1800440	2	PLANSSKIVE M6	5701715026
25	6528459	1	AVSTANDSSTYKKE	5701715342
26	1805399	1	LÅSEMØTRIK M/NYLONRING M6	5701715029
27	1800705	1	MØTRIK M6	5701715026
28	6528423	1	AKTIVATORSTIFT	5701715379
29	6528581	1	AKTIVATORARM	5701715379
30	6528458	2	LÅSEBØJLE	5701715342
31	6528599	3	PROP MED. O-RING	5701715379
32	6528588	1	KONTRAVENTIL	5701715379
33	6528600	1	PROP M. O-RING	5701715379
34	6528587	1	INJEKTOR KOMPL. BRUN	140,150,150.1,160.1 5701715379
35	6528574	1	FILTER	5701715379
36	3004363	1	O-RING	>2004.05.10 and 2004.07.01 5701715342
37	6528545	1	OVERGANGSSTYKKE	>2004.05.10 and 2007.07.01 5701715342
39	1814679	1	SPÆNDEBÅND	5701715338
40	5206040	1	PVC SLANGE	5701715312
41	6528582	1	VENTILHUS	5701715379
42	6528558	1	MANOMETERRØR	5701715379
43	6528583	1	VENTILHUS (X-TRA)	X-TRA 5701715379

# Motor pump unit for P150/160

P160.1, P160.1 B

07-06-2011

StyMiste ID

P06A

15

Pos	Vare nr.	Ant	Beskrivelse		EAN
44	127500075	1	SLANGE	X-TRA	5703887104
45	3004304	1	O-RING	X-TRA	5701715269
45	6411221	1	POSE M. 20 O-RINGE (3004 304)		5701715377
46	6525619	1	LÅSEBØJLE LILLE	X-TRA	5701715342
47	6528544	1	LOCK BRACKET		5701715412
48	6528461	1	CROSS PIN P 12476		5701715342
49	7180924	4	STAGBOLT		5701715278
50	123004374	1	O-RING 5.28 X 1.78		5701715418
38A	6528615	1	SLANGESTUDS KOMPL.	>2004.05.10 and 2004.07.01	5701715396
38B	6124314	1	SLANGESTUDS, KOMPL.	>2004.05.10 and 2004.07.01	5701715070

# Motor pump unit for ERGO/SPECIAL

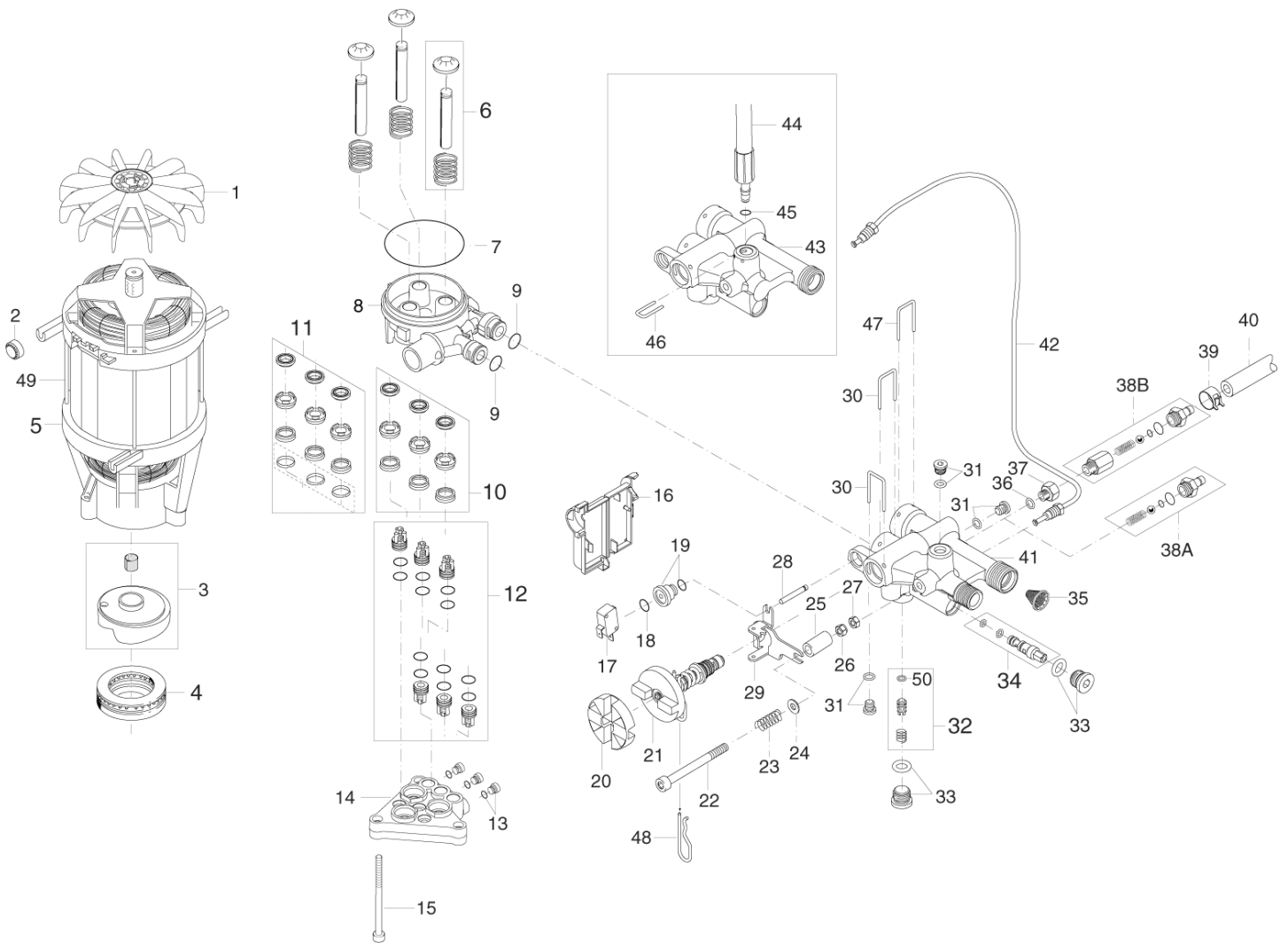
P160.1, P160.1 B

07-06-2011

StyMiste ID

P06C

16





# Motor pump unit for ERGO/SPECIAL

P160.1, P160.1 B

07-06-2011

StyMiste ID

P06C

17

Pos	Vare nr.	Ant	Beskrivelse	EAN
1	6524042	1	VENTILATOR	5701715313
2	6524050	4	GUMMIOPHÆNG	5701715261
3	6528585	1	SKRÅSKIVE 2,9KW	140, 150.1, ERGO, SPECIAL 5701715379
4	1119705	1	REP.SÆT LEJE	5701715116
5	6528594	1	MOTOR 3,3KW	145, 160 5701715379
6	6528577	3	TRYKSTEMPEL KERAMISK	160.1, 150.1 5701715379
7	3003654	1	O-RING 80X2 NITRIL	5701715038
8	127440029	1	CYLINDERBLOCK COMPLETE	5703887106
9	3001393	2	O-RING 17,13X2,62 NITRIL	5701715037
10	6526018	1	REP. SÆT TÆTNINGSSYSTEM	5701715124
11	6528602	1	REP.SÆT TÆTNINGSSYSTEM	For ceramic pistons 5701715379
12	6526026	1	REP. SÆT VENTILSYSTEM	5701715124
13	6528586	1	PROP MED O-RING	5701715342
14	6528616	1	TOPSTYKKE +0.3	5701715396
15	1814597	3	SKRUE M8X70	5701715124
16	6528578	1	MICROSWITCH BOX	5701715379
17	3821991	1	MICRO SWITCH	5701715369
18	3004082	1	O-RING	5701715038
19	6528598	1	PROP M. O-RING	5701715379
20	6528579	1	SLIDE	5701715379
21	126528629	1	VENTILSTEMPEL	5701715419
22	1814740	1	SKRUE M6X65	5701715342
23	2602522	1	FJEDER	5701715365
24	1800440	2	PLANSSKIVE M6	5701715026
25	6528459	1	AVSTANDSSTYKKE	5701715342
26	1805399	1	LÅSEMØTRIK M/NYLONRING M6	5701715029
27	1800705	1	MØTRIK M6	5701715026
28	6528423	1	AKTIVATORSTIFT	5701715379
29	6528581	1	AKTIVATORARM	5701715379
30	6528458	2	LÅSEBØJLE	5701715342
31	6528599	3	PROP MED. O-RING	5701715379
32	6528588	1	KONTRAVENTIL	5701715379
33	6528600	1	PROP M. O-RING	5701715379
34	6528587	1	INJEKTOR KOMPL. BRUN	140, 150, 150.1, 160.1 5701715379
35	6528574	1	FILTER	5701715379
36	3004363	1	O-RING	>2004.05.10 and 2004.07.01 5701715342
37	6528545	1	OVERGANGSSTYKKE	>2004.05.10 and 2004.07.01 5701715342
39	1814679	1	SPÆNDEBÅND	5701715338
40	5206040	1	PVC SLANGE	5701715312
42	6528558	1	MANOMETERRØR	5701715379
43	6528583	1	VENTILHUS (X-TRA)	X-TRA 5701715379
44	127500075	1	SLANGE	X-TRA 5703887104

# Motor pump unit for ERGO/SPECIAL

P160.1, P160.1 B

07-06-2011

StyMiste ID

P06C

18

Pos	Vare nr.	Ant	Beskrivelse		EAN
45	3004304	1	O-RING	X-TRA	5701715269
46	6525619	1	LÅSEBØJLE LILLE	X-TRA	5701715342
47	6528544	1	LOCK BRACKET		5701715412
48	6528461	1	CROSS PIN P 12476		5701715342
49	7180924	4	STAGBOLT		5701715278
50	123004374	1	O-RING 5.28 X 1.78		5701715418
38A	6528615	1	SLANGESTUDS KOMPL.	>2004.05.10 and 2004.07.01	5701715396
38B	6124314	1	SLANGESTUDS, KOMPL.	>2004.05.10 and 2004.07.01	5701715070

# Motor pump unit for B X-TRA

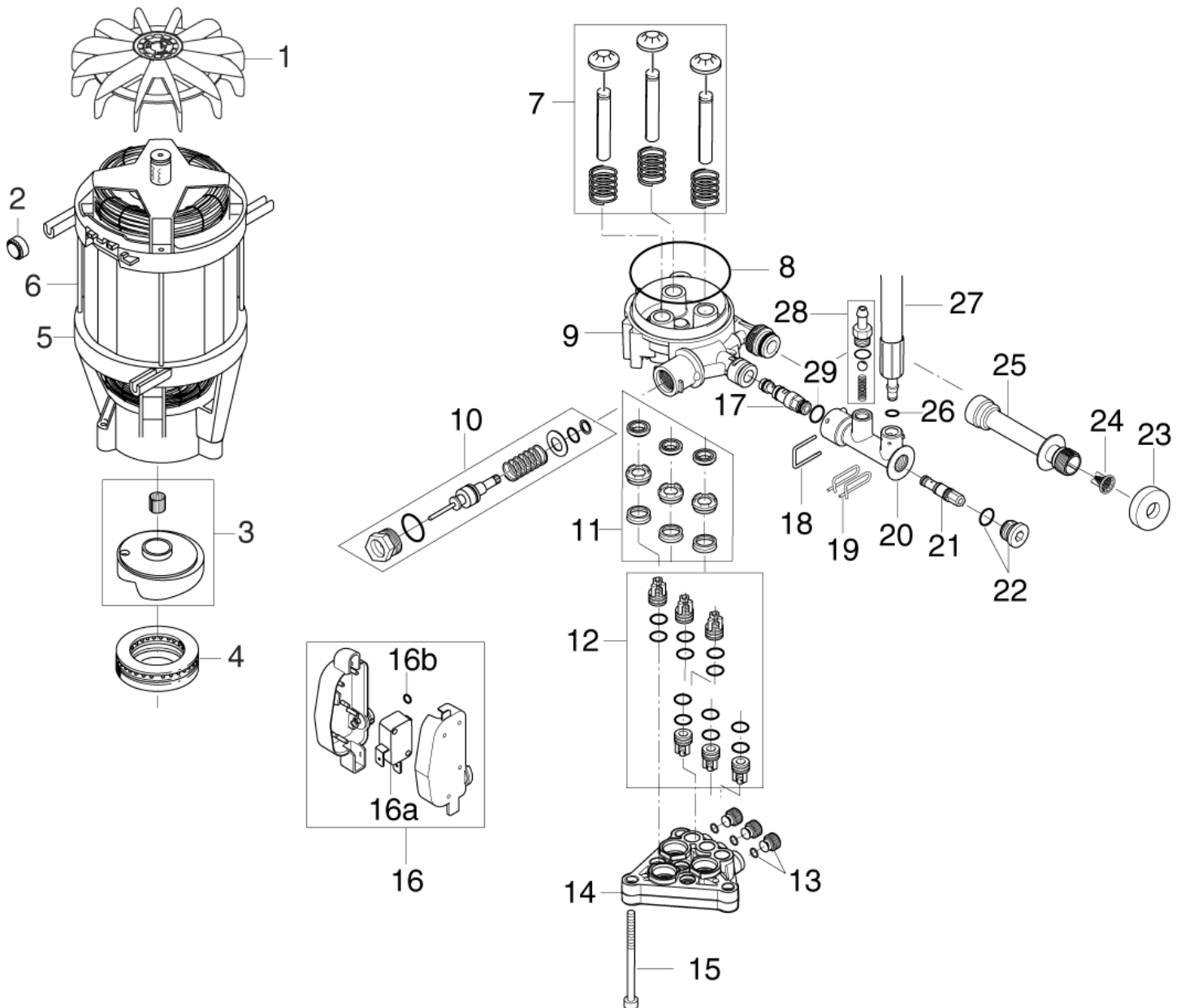
P160.1, P160.1 B

07-06-2011

StyMiste ID

P06E

19



# Motor pump unit for B X-TRA

P160.1, P160.1 B

07-06-2011

StyMiste ID

P06E

20

Pos	Vare nr.	Ant	Beskrivelse	EAN
1	6524042	1	VENTILATOR	5701715313
2	6524050	1	GUMMIOPHÆNG	5701715261
3	126528652	1	SKRÅSKIVE P150.1 B	5701715420
3	126528657	1	SKRÅSKIVE P160.1 B	5701715420
4	1119705	1	REP.SÆT LEJE	5701715116
5	6528593	1	MOTOR 2,9KW	5701715379
5	6528594	1	MOTOR 3,3KW	5701715379
6	106526209	3	STUD	5701715305
7	6526016	1	REP, SÆT STEMPEL	5701715125
8	3003654	1	O-RING 80X2 NITRIL	5701715038
9	6525598	1	CYLINDERBLOK	5701715395
10	126528653	1	VENTIL START/STOP	5701715420
11	6526018	1	REP. SÆT TÆTNINGSSYSTEM	5701715124
12	6526026	1	REP. SÆT VENTILSYSTEM	5701715124
13	6528586	3	PROP MED O-RING	5701715342
14	6528616	1	TOPSTYKKE +0.3	5701715396
15	1814597	3	SKRUE M8X70	5701715124
16	126528654	1	MICROSWITCH BOX KOMPLET	5701715420
17	126528655	1	INJEKTOR ALTO-BLÅ	5701715420
18	6528458	1	LÅSEBØJLE	5701715342
19	126528532	2	LÅSE CLIPS	5703887100
20	126528658	1	AFGANGSSTUDS X-TRA	5701715420
21	126528656	1	INJECTOR BORDEAUX	5701715420
22	6528600	1	PROP M. O-RING	5701715379
23	126486792	1	PAKNING, TILGANG & AFGANG	5701715398
24	6528574	1	FILTER	5701715379
25	126528659	1	VANDTILGANG	5701715420
26	3004304	1	O-RING	5701715269
27	127500075	1	SLANGE	5703887104
28	6528615	1	SLANGESTUDS KOMPL.	5701715396
29	3001393	1	O-RING 17,13X2,62 NITRIL	5701715037
16A	123822159	1	MICROSWITCH 16/16 MARQUAR T	5703887100
16B	3004082	1	O-RING	5701715038

# Motor pump unit without pressure regulation

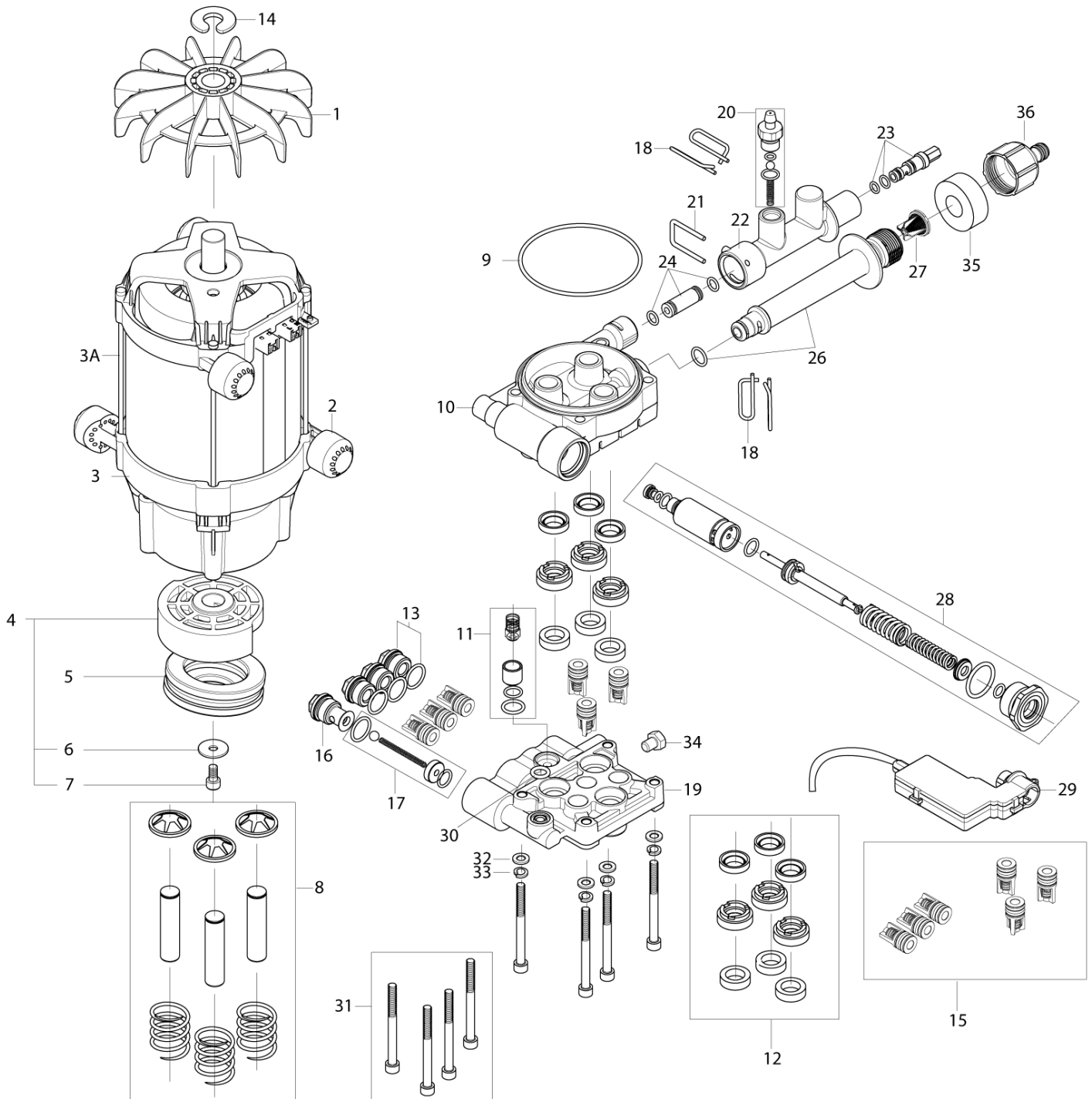
P160.1, P160.1 B

07-06-2011

StyMiste ID

P06F

21



# Motor pump unit without pressure regulation

P160.1, P160.1 B

07-06-2011

StyMiste ID

P06F

22

Pos	Vare nr.	Ant	Beskrivelse	EAN
1	127500040	1	VENTILATORVINGE	5703887104
2	6524050	3	GUMMIOPHÆNG	5701715261
3	127500000	1	MOTOR 230-240V 50HZ 2.9KW	5703887102
3	127500011	1	MOTOR 230-240V 50HZ 3.3K W	5703887104
4	127500001	1	SKRÅSKIVE, 230-240V 2,9KW	5703887102
4	127500012	1	SKRÅSKIVE-SÆT, 3,3 KW	5703887104
5	127500002	1	LEJE	5703887102
6	127130066	1	PAKNING 22X6.4X1.5	5703887102
7	3913	1	SKRUE M6X12	4005337039
8	127500003	1	REP.SÆT STEMLER (3 STK.)	5703887102
9	127500020	1	O-RING	5703887104
10	127500004	1	CYLINDERHUS	5703887102
11	127500013	1	NON RETURN VALVE	5703887104
12	127500037	1	PAKNINGSSÆT	5703887104
13	127500015	3	PROP M18X1.5 MED O-RING	5703887104
14	127500051	1	LÅSERING	5703887104
15	127500036	1	INLET/OUTLET VALVE SYSTEM 6PCS	5703887104
16	127500005	1	EASY START PROP	5703887102
17	127500014	1	REP. SÆT FOR EASY START	5703887104
18	126528532	1	LÅSE CLIPS	5703887100
19	127500006	1	CYLINDER HOVED	5703887102
20	127500017	1	MELLEMSTYKKE	5703887104
21	127500021	1	LÅSECLIPS	5703887104
22	127500022	1	AFGANGSSTUDS	5703887104
23	126528656	1	INJECTOR BORDEAUX	5701715420
24	127500007	1	REDUKTION MED O-RING	5703887102
26	127500008	1	VANDTILGANG	5703887102
27	6528574	1	FILTER	5701715379
28	127500052	1	S/S VENTIL, KOMPL.	5703887106
29	127500010	1	MICRO SWITCH BOX SYSTEM	5703887102
30	127500073	1	O-RING	5703887104
31	127500071	4	SCREW M6X70 DIN 912 4PCS	5703887104
32	127500029	4	PAKNING	5703887104
33	127130063	4	SPRING WASHER M6 DIN 127B	5703887105
34	127500072	1	SCREW M8	5703887104
35	126486792	1	PAKNING, TILGANG & AFGANG	5701715398
36	1402809	1	LYNKOBLINGSSTUDS	5701715008
3A	7180924	1	STAGBOLT	5701715278

# Motor pump unit without pressure regulation -

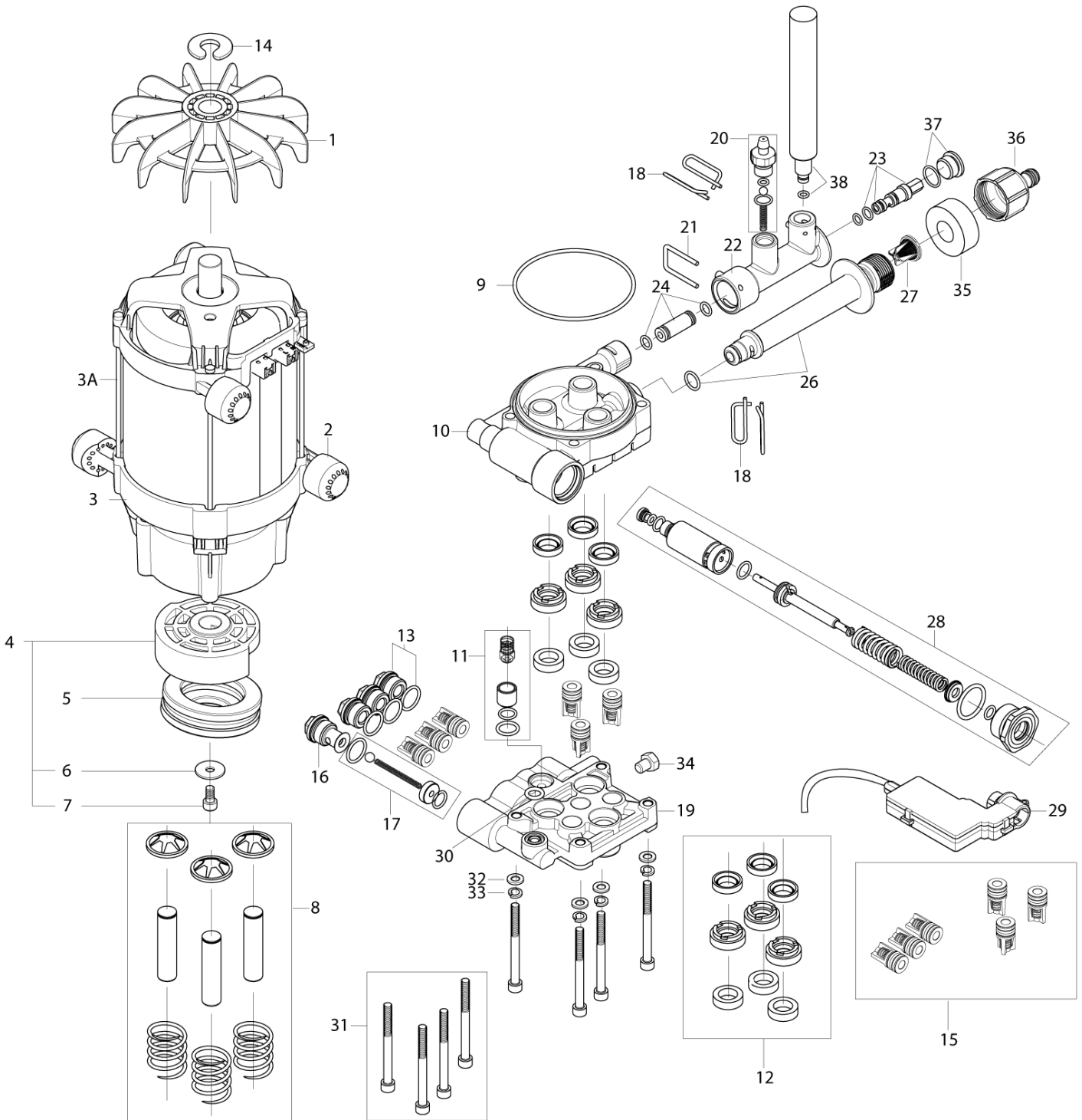
P160.1, P160.1 B

07-06-2011

StyMiste ID

P06G

23



# Motor pump unit without pressure regulation -

P160.1, P160.1 B

07-06-2011

StyMiste ID

P06G

24

Pos	Vare nr.	Ant	Beskrivelse	EAN
1	127500040	1	VENTILATORVINGE	5703887104
2	6524050	4	GUMMIOPHÆNG	5701715261
3	127500000	1	MOTOR 230-240V 50HZ 2.9KW	5703887102
3	127500011	1	MOTOR 230-240V 50HZ 3.3K W	5703887104
4	127500001	1	SKRÅSKIVE, 230-240V 2,9KW	5703887102
4	127500012	1	SKRÅSKIVE-SÆT, 3,3 KW	5703887104
5	127500002	1	LEJE	5703887102
6	127130066	1	PAKNING 22X6.4X1.5	5703887102
7	3913	1	SKRUE M6X12	4005337039
8	127500003	1	REP.SÆT STEMLER (3 STK.)	5703887102
9	127500020	1	O-RING	5703887104
10	127500004	1	CYLINDERHUS	5703887102
11	127500013	1	NON RETURN VALVE	5703887104
12	127500037	1	PAKNINGSSÆT	5703887104
13	127500015	3	PROP M18X1.5 MED O-RING	5703887104
14	127500051	1	LÅSERING	5703887104
15	127500036	1	INLET/OUTLET VALVE SYSTEM 6PCS	5703887104
16	127500005	1	EASY START PROP	5703887102
17	127500014	1	REP. SÆT FOR EASY START	5703887104
18	126528532	4	LÅSE CLIPS	5703887100
19	127500006	1	CYLINDER HOVED	5703887102
20	127500017	1	MELLEMSTYKKE	5703887104
21	127500021	1	LÅSECLIPS	5703887104
22	127500023	1	AFGANGSSTUDS (X-TRA)	5703887104
23	126528656	1	INJECTOR BORDEAUX	5701715420
24	127500007	1	REDUKTION MED O-RING	5703887102
26	127500008	1	VANDTILGANG	5703887102
27	6528574	1	FILTER	5701715379
28	127500052	1	S/S VENTIL, KOMPL.	5703887106
29	127500010	1	MICRO SWITCH BOX SYSTEM	5703887102
30	127500073	1	O-RING	5703887104
31	127500071	4	SCREW M6X70 DIN 912 4PCS	5703887104
32	127500029	4	PAKNING	5703887104
33	127130063	4	SPRING WASHER M6 DIN 127B	5703887105
34	127500072	1	SCREW M8	5703887104
35	126486792	1	PAKNING, TILGANG & AFGANG	5701715398
36	1402809	1	LYNKOBLINGSSTUDS	5701715008
37	127500076	1	X-TRA PLUG ON OUTLET	5703887104
38	127500075	1	SLANGE	5703887104
3A	7180924	1	STAGBOLT	5701715278



# Default accessories

P160.1, P160.1 B

07-06-2011

StyMiste ID P13008

25

Ingen tegning

# Default accessories

P160.1, P160.1 B

07-06-2011

StyMiste ID P13008

26

Pos	Vare nr.	Ant	Beskrivelse	EAN
1		1	HØJTRYKSSLANGE 10M. ARM.	5701715334
1	126481143	1	HØJTRYKSSLANGE 10M. X-TRA	5703887102
1	128500031	1	SPULEHÅNDTAG	5703887108
1	6411172	1	POWERSPEED KOMPL. RØD	5701715268
1	6411187	1	TORNADO DYSERØR, KOMPL.	5701715268
1	6520844	1	RENSENÅL, SORT	5701715215
1	6526027	1	DYSERØR M. O-RING	5701715124
1	6526203	1	SPULEHÅNDTAG KOMP.PRO/DYN	5701715268
1	6526376	1	SLANGE, KOMPL. 15M PRO	5701715268
1	6528611	1	STÅLARMERET SLANGE 15M	5701715337
1	6528612	1	SLANGE, 15 M STÅLARMERET	5701715348
1	6528613	1	SLANGE, 15 M STÅLARMERET	5701715348