

Pro. acces. - Injectors, valves and spec

Model:
Injectors, valves and
specials

Accessories

Stykliste Dansk

17-07-2011

Indholdsfortegnelse

Pro. acces. - Injectors, valves and spec

Ball valves	3
Flow booster, housing	5
Flow booster, suction hose	7
Flow booster, spray handle	9
Flow booster, single spray lance	11
Foam injector	13
Foam injector with by-pass	15
Foam injector High-resistant	17
Foam lance	19
Injector 02, POSEIDON 8 and SOLAR 8	21
Injector A2, 03	23
Chemical injector 40H/HA	25
Injector with fixed dosage	27
Soft blasting	29
TAP A	31
TAP B	33
WSB Container	35
WSB lance	37

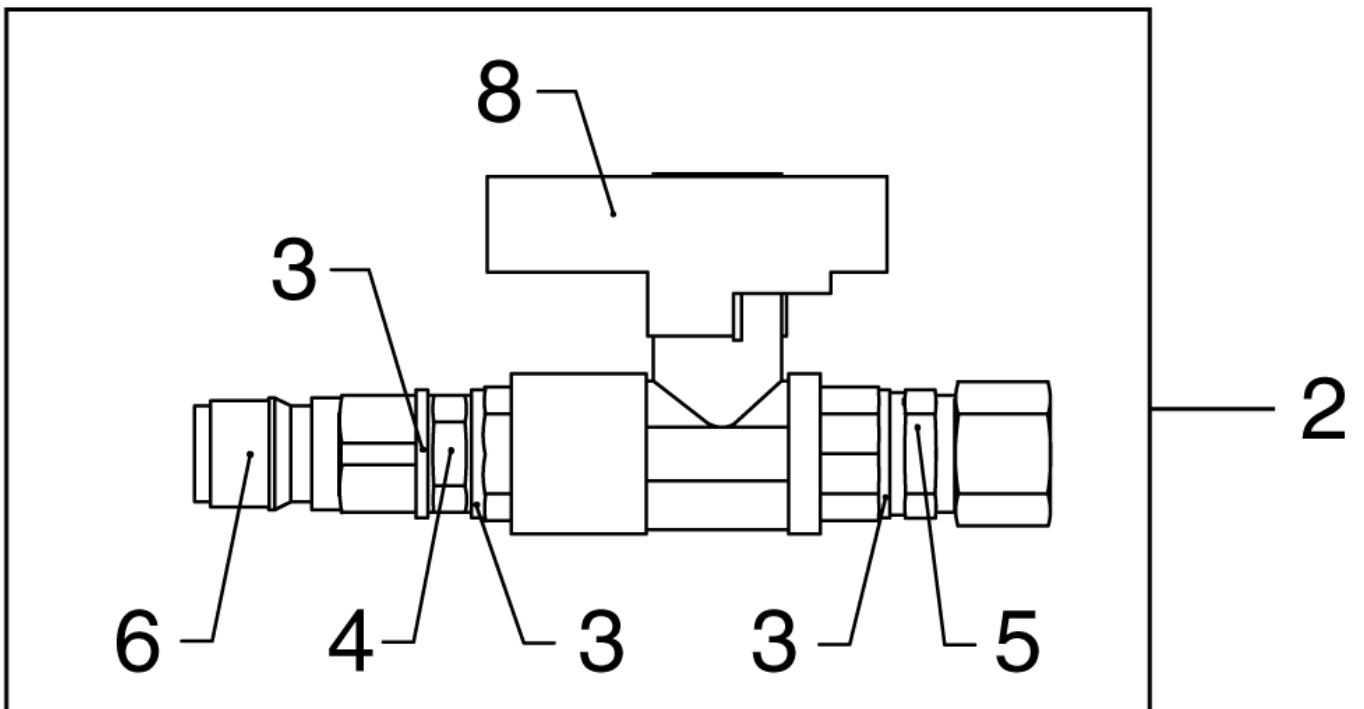
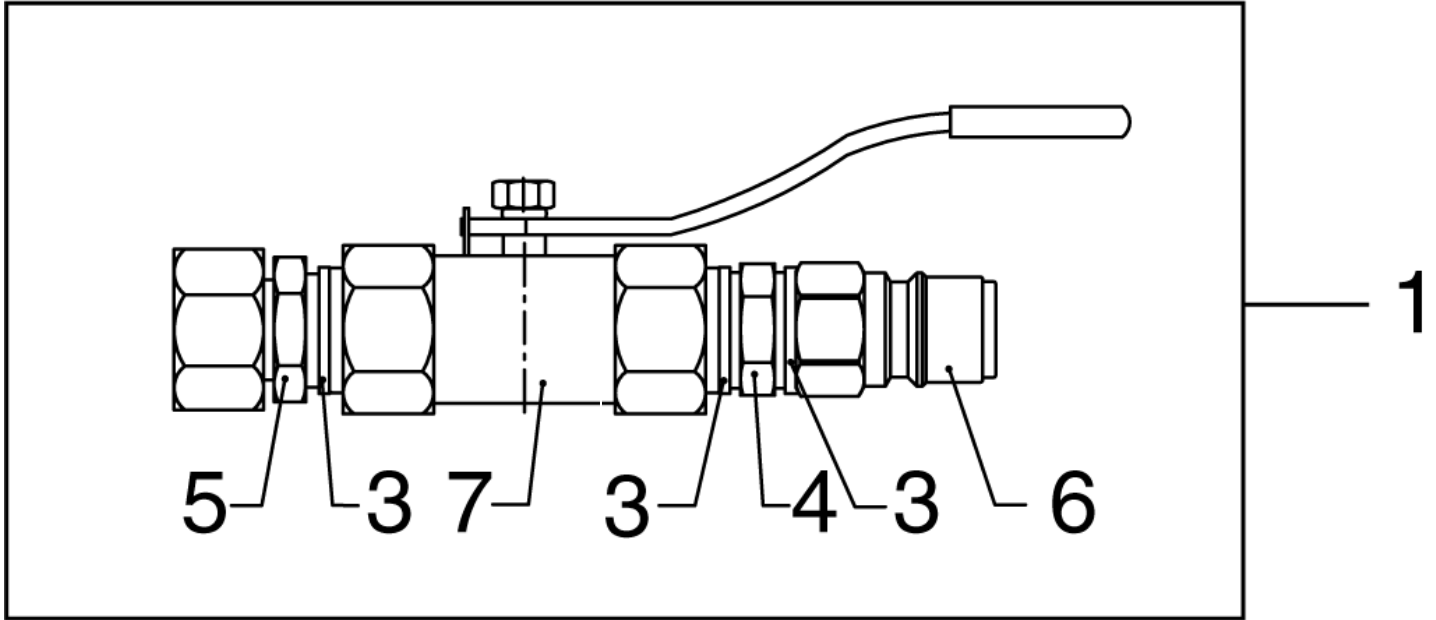
Ball valves

Pro. acces. - Injectors, valves and spec

17-07-2011

StyMiste ID
BALLVALVE02

3



Ball valves

17-07-2011

Pro. acces. - Injectors, valves and spec

StyMiste ID
BALLVALVE02

4

Pos	Vare nr.	Ant	Beskrivelse		EAN
2	6402023	1	HØJTRYKSHANE, KOMP. RF	Stainless stell	5701715209
2	6402024	1	HØJTRYKSHANE, KOMPL.		5701715209
2	6402071	1	FROSTHANE, KOMPL.	Frost valve complete	5701715337
3	1801075	3	TÆTNINGSSKIVE 3/8" RG		5701715027
3	1807908	3	TÆTNINGSSKIVE RF. 3/8"	Stainless steel	5701715030
4	1605120	1	BRYSTNIPPEL 3/8"X3/8"		5701715025
4	1609312	1	NIPPLE 3/8"RGX3/8"RG SS	Stainless steel	5701715414
5	1609315	1	LIGEFORSKRUNING Ø15X3/8 R G RF	Stainless steel	5701715414
5	1609317	1	THREADED CONNECTION		5701715363
6	1600493	1	LYNKOBLINGSNIPPEL 3/8"		5701715023
6	1603101	1	LYNKOBLINGSNIPPEL, RF	Stainless steel	5701715024
7	3403262	1	KUGLEVENTIL, SYREFAST 3/8	A - stainless steel	5701715305
8	3403264	1	KUGLEVENTIL, GALV.	B	5701715304

Flow booster, housing

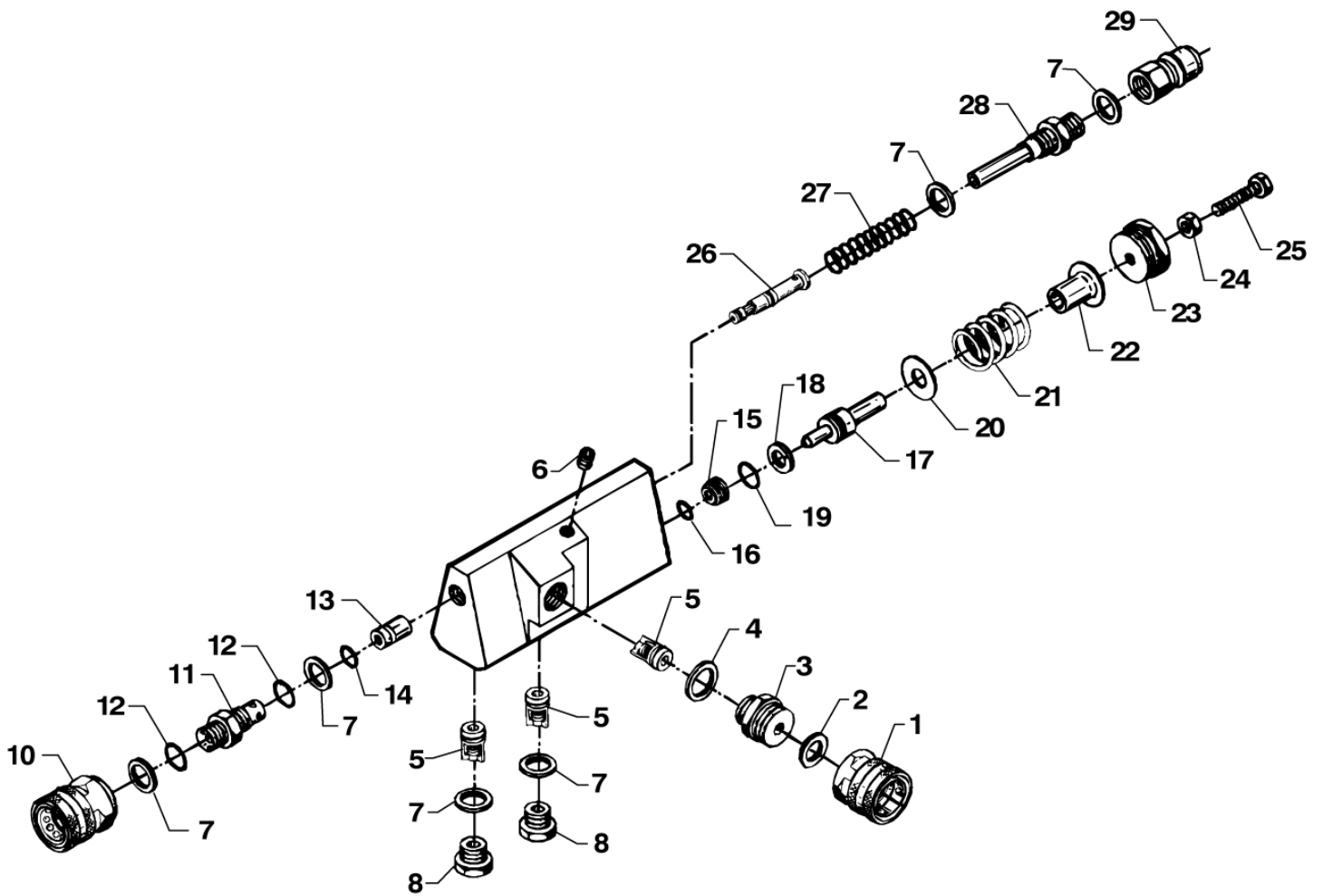
Pro. acces. - Injectors, valves and spec

17-07-2011

StyMiste ID

FLOWB02

5



Flow booster, housing

Pro. acces. - Injectors, valves and spec

17-07-2011

StyMiste ID

FLOWB02

6

Pos	Vare nr.	Ant	Beskrivelse	EAN
1	1602945	1	LYNKOBLING 3/4" LAVTRYK	5701715024
2	3001237	1	PAKNING Ø24,5XØ16X3	5701715037
4	1807932	1	SELVTÆTTENDE SPÆNDESKIVE	5701715030
5	1119663	1	REP.KIT VALVE F. FLOWBOOSTER	5701715021
6	1602333	1	RØRPROP 1/8"	5701715024
7	1801075	1	TÆTNINGSSKIVE 3/8" RG	5701715027
10	106402075	1	LYNKOBLING, KOMPL.	5701715294
12	3000064	1	O-RING 14,1X1,6 NITRIL	5701715037
14	13739	1	O-RING	4005337137
16	3000072	1	O-RING 10,1X1,6 NITRIL	5701715037
18	3001260	1	STØTTERING Ø136-24	5701715037
19	3001252	1	O-RING 13,6X2,4 NITRIL	5701715037
24	1803725	1	MØTRIK M8	5701715028
25	1800150	1	SÆTSKRUE M8X30	5701715026
29	1603101	1	LYNKOBLINGSNIPPEL, RF	5701715024

Flow booster, suction hose

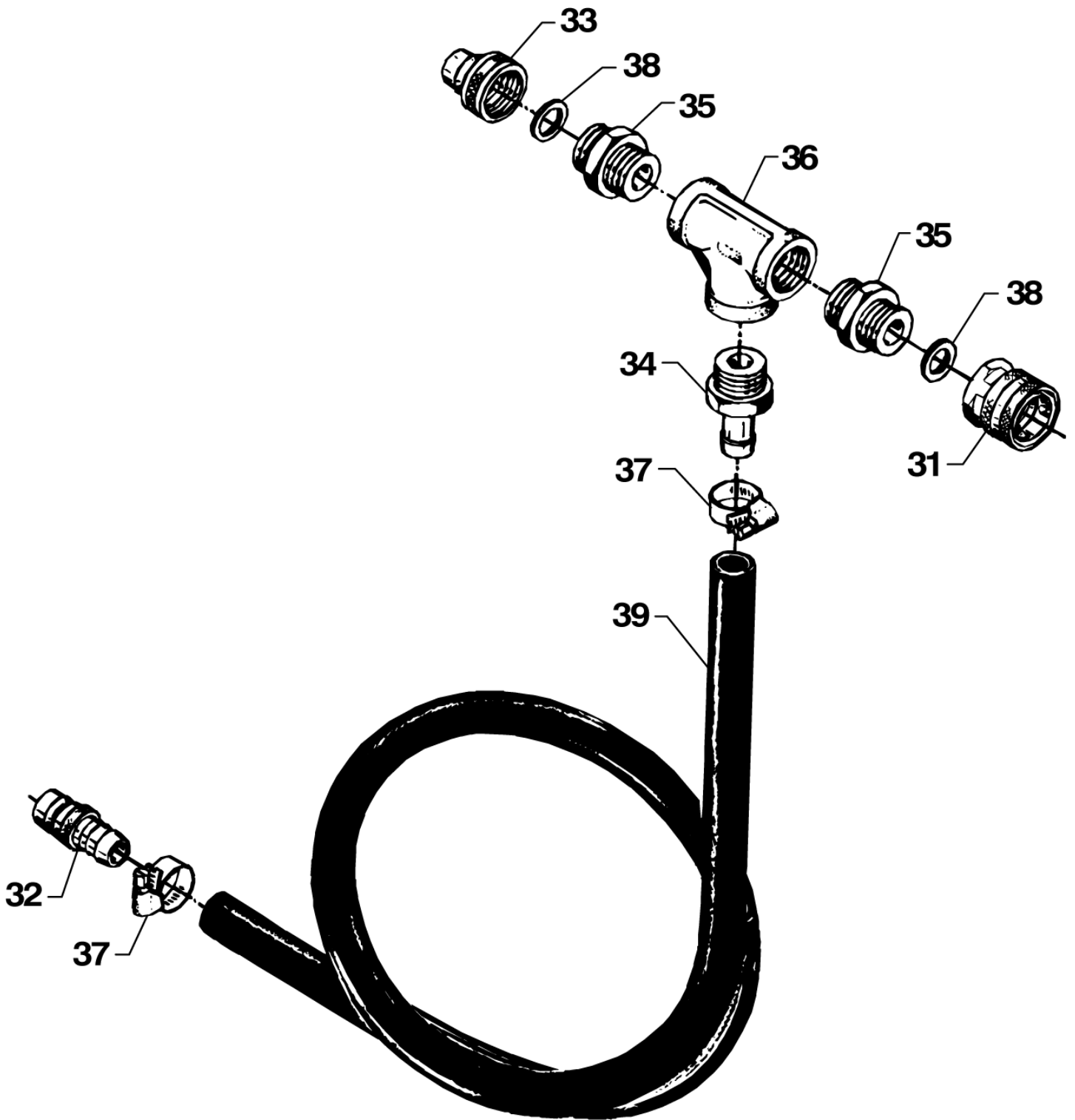
Pro. acces. - Injectors, valves and spec

17-07-2011

StyMiste ID

FLOWB04

7



Flow booster, suction hose

Pro. acces. - Injectors, valves and spec

17-07-2011

StyMiste ID

FLOWB04

8

Pos	Vare nr.	Ant	Beskrivelse	EAN
31	1602945	1	LYNKOBLING 3/4" LAVTRYK	5701715024
32	1602473	1	STIKNIPPEL LAVTRYK	5701715024
33	1602796	1	STIKNIPPEL 3/4"	5701715024
37	1810191	2	SPÆNDEBÅND 13-27, RUSTFRI	5701715030
38	3001237	2	PAKNING Ø24,5XØ16X3	5701715037
39	5206230	1	SLANGE	4005337171

Flow booster, spray handle

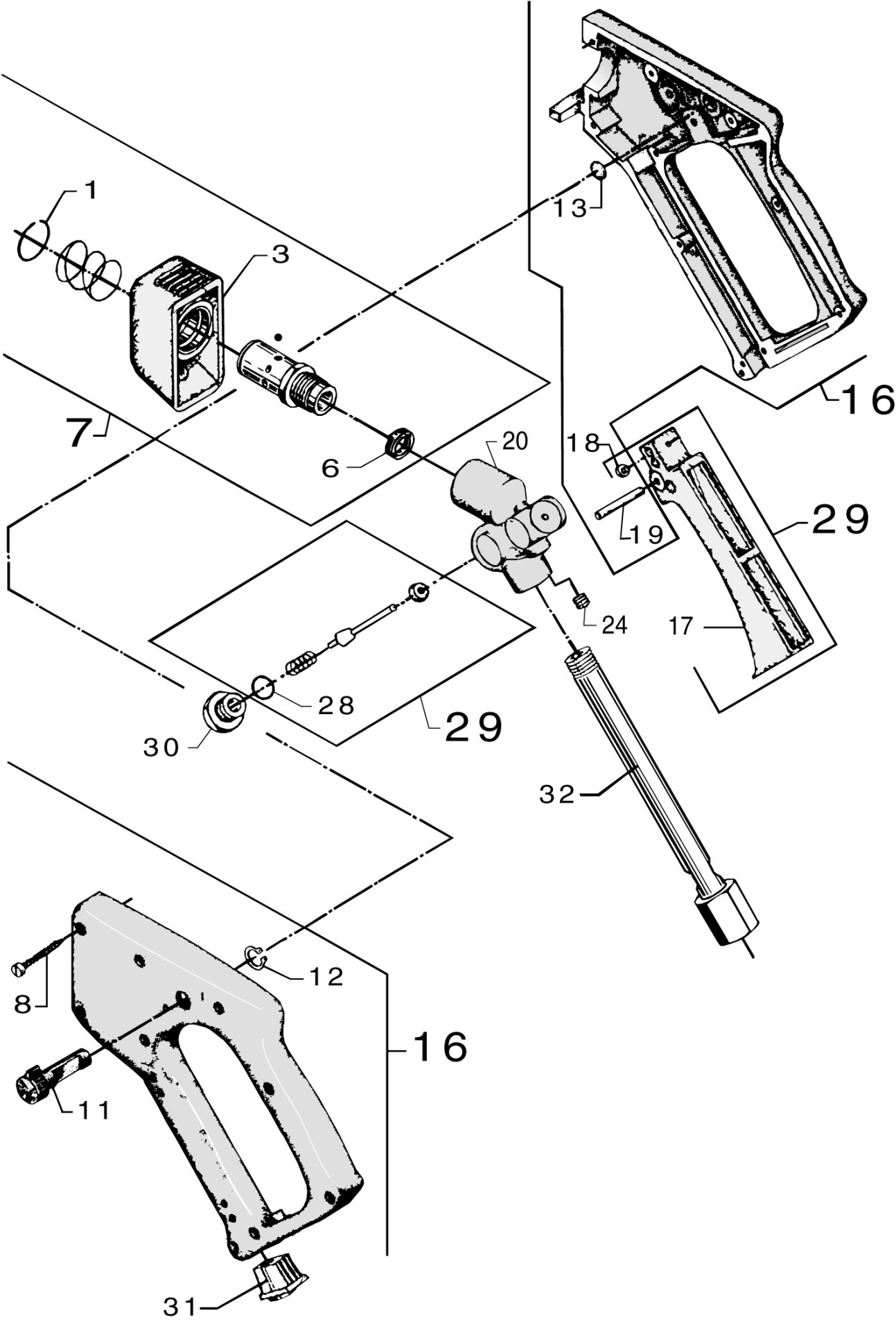
Pro. acces. - Injectors, valves and spec

17-07-2011

StyMiste ID

FLOWB06

9



Flow booster, spray handle

Pro. acces. - Injectors, valves and spec

17-07-2011

StyMiste ID
FLOWB06

10

Pos	Vare nr.	Ant	Beskrivelse	EAN
1	1800192	1	LÅSERING Ø18,2X2 RF	5701715026
3	4000444	1	UDLØSER ALTO	5701715277
6	3000924	1	U-MANCHET	5701715014
7	1118066	1	REP.SÆT F. UDLØSERGREB	5701715019
8	101814698	9	SKRUE	5701715304
11	4000063	1	SIKRING	5701715045
12	1800200	1	LÅSERING U 10 X 1 RF	5701715026
13	4600730	1	SKUMPUDE F.SIKRING/PISTOL	5701715046
16	1118108	1	REP.SÆT GREB	5701715019
17	4000445	1	GREB FOR VENTIL ALTO	5701715277
18	3400413	1	TRYKNIPPEL, RUSTFRI	5701715039
19	3400421	1	STIFT F. VENTILGREB	5701715039
28	3000064	1	O-RING 14,1X1,6 NITRIL	5701715037
29	1119662	1	REP.SÆT VENTILHUS	5701715115
31	6401746	1	ADAPTOR F. SPULEHÅNDTAG	5701715100
32	1405398	1	DREJELED	5701715023

Flow booster, single spray lance

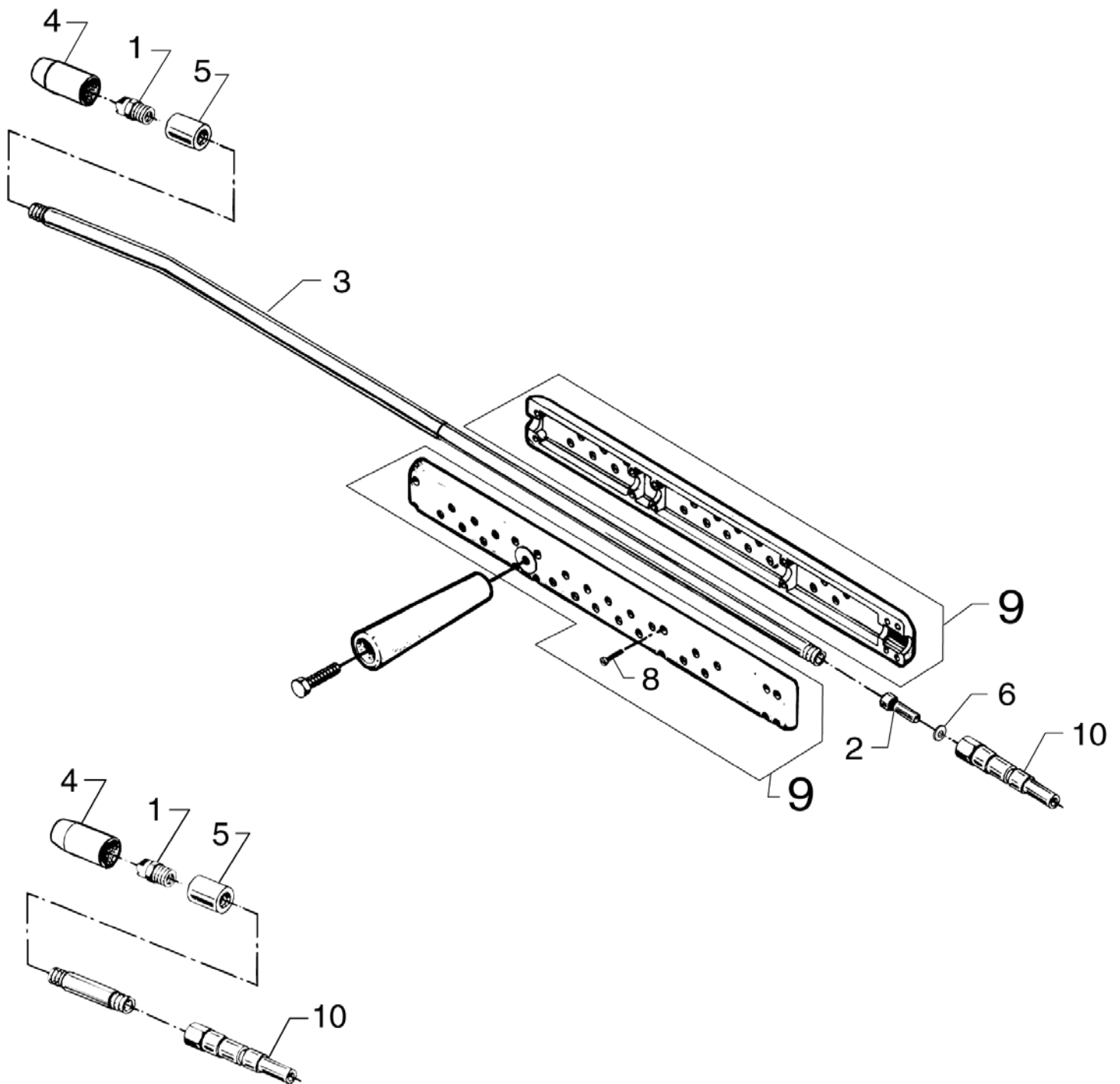
Pro. acces. - Injectors, valves and spec

17-07-2011

StyMiste ID

FLOWB08

11



Flow booster, single spray lance

Pro. acces. - Injectors, valves and spec

17-07-2011

StyMiste ID

FLOWB08

12

Pos	Vare nr.	Ant	Beskrivelse	EAN
1	2802680	1	NOZZLE FOR FLOWBOOSTER 4030	5701715037
3	2404325	1	TUBE F. NOZZLE 930 MM	5701715475
3	2404341	1	NIPPELRØR 50 MM.	5701715035
3	2404366	1	DYSERØR 570MM	5701715118
4	2800076	1	DYSEBESKYTTER ENKEL	5701715036
5	1603950	1	MUFFE 1/4" RF	5701715025
8	101814698	12	SKRUE	5701715304
9	1118009	1	REP.SÆT F. SPULERØR	5701715018
10	1609325	1	LYNKOBLINGSNIPPEL RF	5701715257
11	1800150	1	SÆTSKRUE M8X30	5701715026
12	4000014	1	TVÆRGREB	5701715045

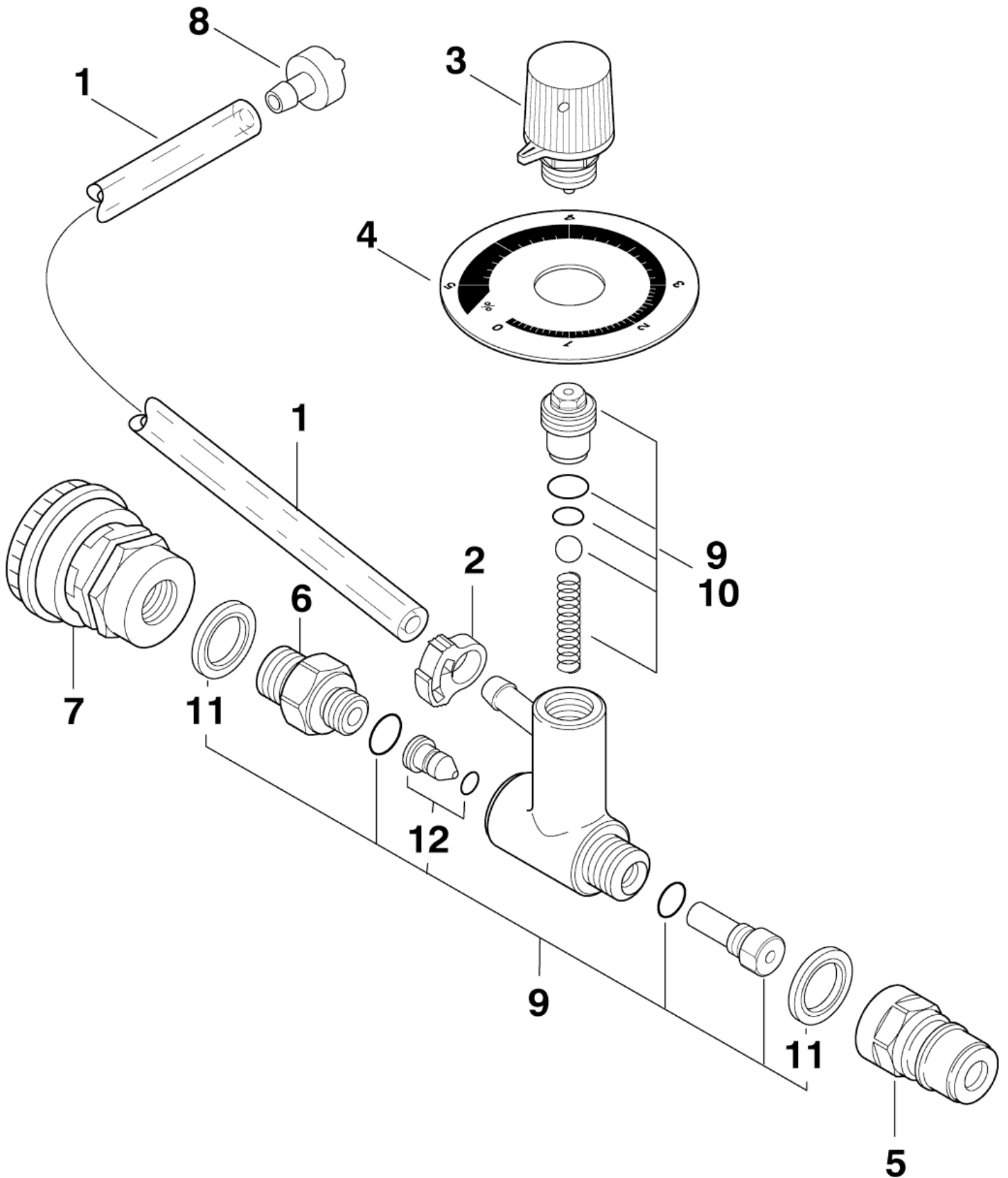
Foam injector

Pro. acces. - Injectors, valves and spec

17-07-2011

StyMiste ID
FOAMINJ02

13



Foam injector

Pro. acces. - Injectors, valves and spec

17-07-2011

StyMiste ID

FOAMINJ02

14

Pos	Vare nr.	Ant	Beskrivelse	EAN
-	6401244	1	SKUMINJEKTOR KOMP.	5701715114
-	6410879	1	SKUMINJEKTOR F.5500 Professional 5500	5701715102
1	5206636	1	PVC-SLANGE, KLAR Ø6/Ø10	5701715046
2	1810084	1	SPÆNDEBÅND Ø10,8/12,3	5701715007
3	6101778	1	DOSERSPINDEL	5701715064
4	6400363	1	SKALA F. SKUMINJEKTOR	5701715097
5	1603101	1	LYNKOBLINGSNIPPEL, RF	5701715024
6	6150675	1	STUDS	5701715074
7	106402075	1	LYNKOBLING, KOMPL.	5701715294
8	6400240	1	FILTER	5701715097
9	1119107	1	REP.SÆT SKUMINJEKTOR	5701715019
9	1119678	1	REP.SÆT F. SKUMINJEKTOR Professional 5500	5701715021
10	1119322	1	REP.KIT F. SKUMINJ. 02-03	5701715020
11	1801075	2	TÆTNINGSSKIVE 3/8" RG	5701715027
12	1119815	1	REP.SÆT DYSE WO-RING	5701715118
12	6411024	1	FOAM INJECTOR NOZZLE, COM PL. Professional 5500	5701715118

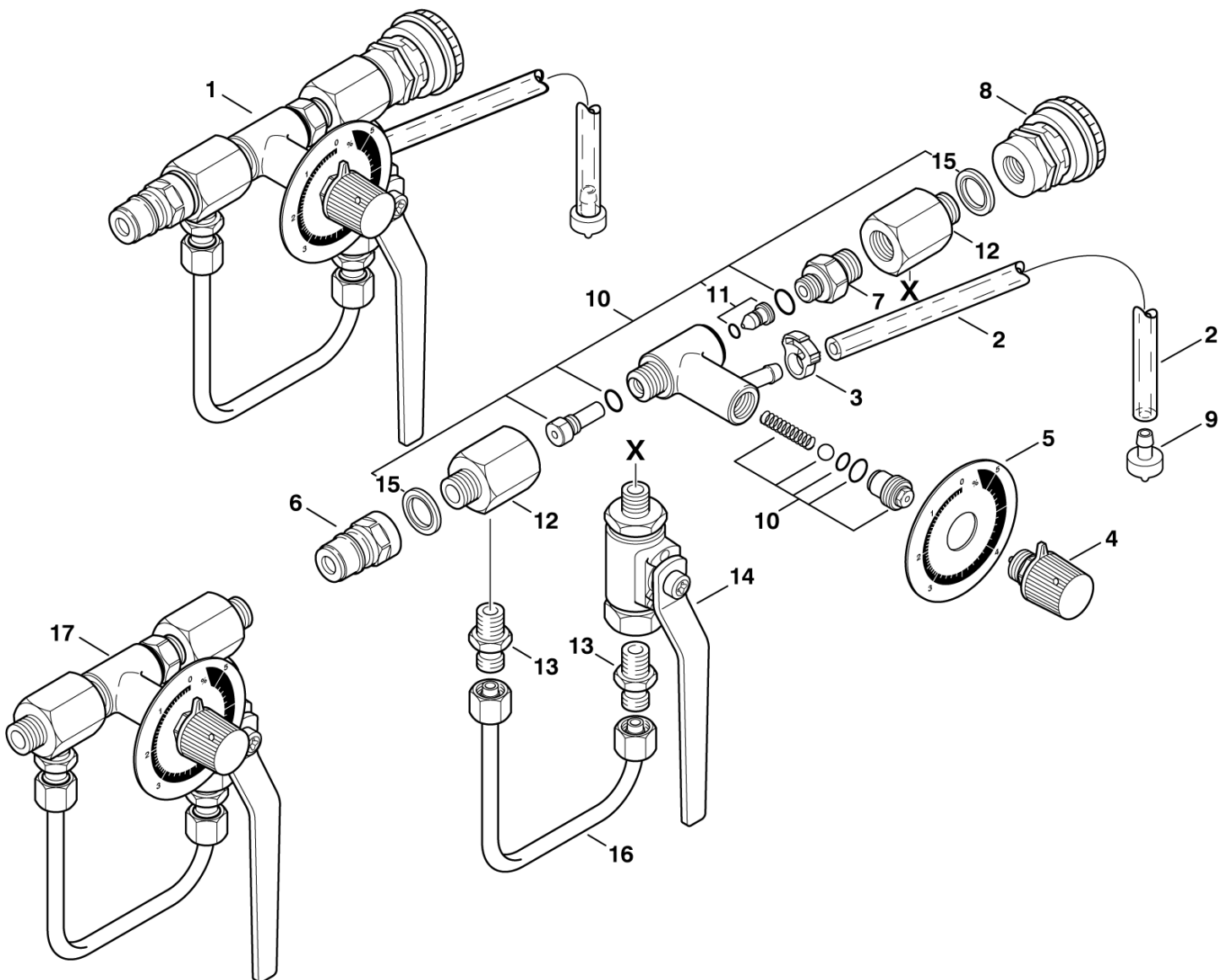
Foam injector with by-pass

Pro. acces. - Injectors, valves and spec

17-07-2011

StyMiste ID
FOAMINJB02

15



Foam injector with by-pass

Pro. acces. - Injectors, valves and spec

17-07-2011

StyMiste ID
FOAMINJB02

16

Pos	Vare nr.	Ant	Beskrivelse	EAN
1	6401242	1	SKUMINJEKTOR M. BY-PASS	5701715114
1	6401243	1	SKUMINJEKTOR M/BY-PASS RF Stainless Steel	5701715114
2	5206636	1	PVC-SLANGE, KLAR Ø6/Ø10	5701715046
3	1810084	1	SPÆNDEBÅND Ø10,8/12,3	5701715007
4	6101778	1	DOSERSPINDEL	5701715064
5	6400363	1	SKALA F. SKUMINJEKTOR	5701715097
6	1603101	1	LYNKOBLINGSNIPPEL, RF	5701715024
7	6150675	1	STUDS	5701715074
8	106402075	1	LYNKOBLING, KOMPL.	5701715294
9	6400240	1	FILTER	5701715097
10	1119107	1	REP.SÆT SKUMINJEKTOR	5701715019
11	1119815	1	REP.SÆT DYSE W/O-RING	5701715118
12	6401744	2	OVERGANGSSTYKKE	5701715100
13	6401890	2	LIGEFORSKRUNING	5701715118
13	6401891	2	LIGEFORSKRUNING Ø8X1/4 Stainless Steel	5701715100
14	1119376	1	REP.SÆT F. HYDROBALL-HANE	5701715209
14	3401916	1	HYDROBALL-HANE 1/4"	5701715040
15	1801075	2	TÆTNINGSSKIVE 3/8" RG	5701715027
16	4841130	1	RØR F. BY-PASS KOMPL.	5701715046
16	6403401	1	RØR FOR BY-PASS KOMP.	5701715101

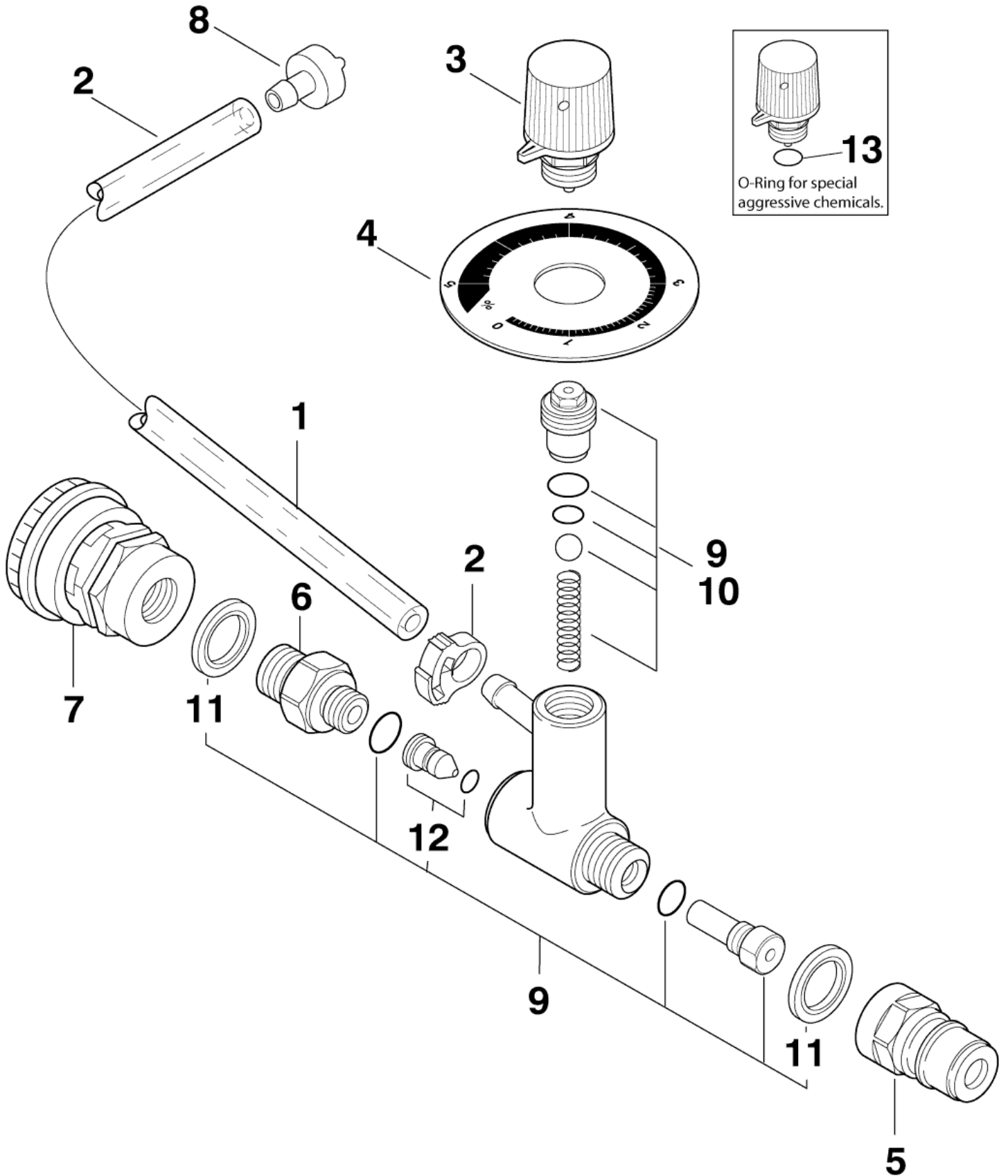
Foam injector High-resistant

Pro. acces. - Injectors, valves and spec

17-07-2011

StyMiste ID
FOAMINJH02

17



Foam injector High-resistant

Pro. acces. - Injectors, valves and spec

17-07-2011

StyMiste ID
FOAMINJH02

18

Pos	Vare nr.	Ant	Beskrivelse	EAN
-	6401245	1	SKUMINJEKTOR HØJBESTANDIG	5701715114
1	5206636	1	PVC-SLANGE, KLAR Ø6/Ø10	5701715046
2	1810084	1	SPÆNDEBÅND Ø10,8/12,3	5701715007
3	6402333	1	DOSESPINDEL	5701715101
4	6400363	1	SKALA F. SKUMINJEKTOR	5701715097
5	1603101	1	LYNKOBLINGSNIPPEL, RF	5701715024
6	1606201	1	RUSTFRI STUDS F. LYNK.	5701715026
7	106402075	1	LYNKOBLING, KOMPL.	5701715294
8	6400240	1	FILTER	5701715097
9	1119331	1	REP.SÆT F HØJBES. SKUMINJ	5701715020
10	1119333	1	REP.SÆT F. HØJBES. SKUMIN	5701715020
11	1807908	2	TÆTNINGSSKIVE RF. 3/8"	5701715030
12	1119815	1	REP.SÆT DYSE MO-RING	5701715118
13	103004367	1	O-RING 5.94X3.53 HIFLUOR	5701715413

Note: this o-ring si not standard on the injector.

Pos. 13. The Hiflour o-ring is very expensive and not stardard on the complete injector as well as position 3.

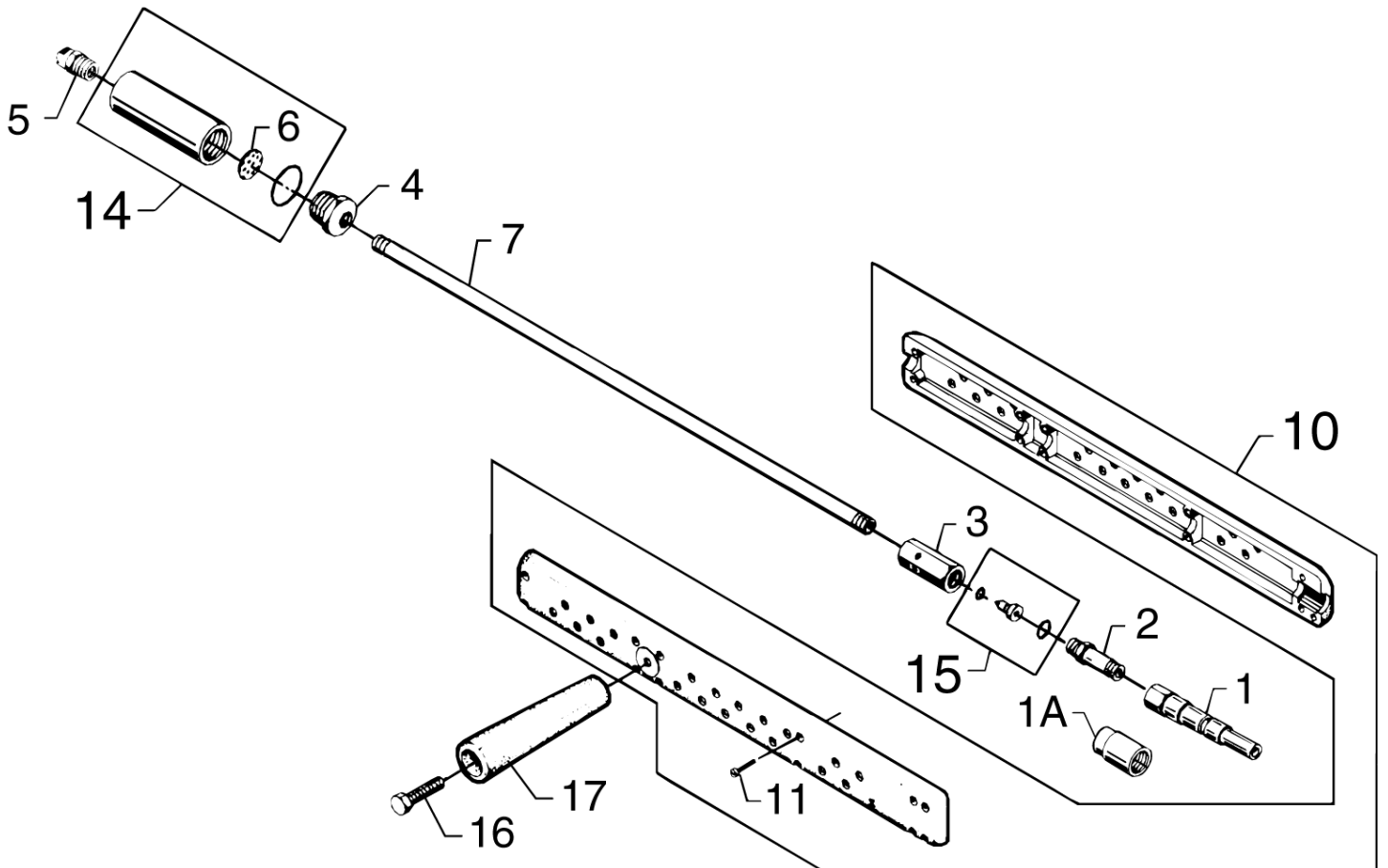
Foam lance

Pro. acces. - Injectors, valves and spec

17-07-2011

StyMiste ID
FOAMLANCE02

19



Foam lance

Pro. acces. - Injectors, valves and spec

17-07-2011

StyMiste ID
FOAMLANCE02

20

Pos	Vare nr.	Ant	Beskrivelse		EAN
-	6404368	1	SKUMLANCE KOMPL. KORT	Short	5701715272
-	6404369	1	SKUMLANSE KOMPL. LANG	Long	5701715272
1	1609325	1	LYNKOBLINGSNIPPEL RF		5701715257
2	6400628	1	FORSKRUNING F.LUFTINJEKT.		5701715098
3	6400627	1	LUFTINJEKTOR		5701715098
4	6400631	1	FORSKRUNING F.DYSEBESK.		5701715098
5	2800605	1	SKUMDYSE 40150	long	5701715036
5	2800639	1	SKUMDYSE 50120	short	5701715036
6	6400633	1	HULSKIVE F. SKUMUDSTYR		5701715098
7	6400629	1	SKUMRØR KORT	short	5701715098
7	6400630	1	SKUMRØR LANGT	long	5701715098
10	1118009	1	REP.SÆT F. SPULERØR	Until 07.02.02	5701715018
11	101814698	12	SKRUE		5701715304
14	1119327	1	REP.SÆT F. DYSEBESKYTTER		5701715020
15	1119407	1	REP.SÆT, LUFTINJEKTORDYSE		5701715277
16	1800150	1	SÆTSKRUE M8X30		5701715026
17	4000014	1	TVÆRGREB		5701715045
1A	1609325	1	LYNKOBLINGSNIPPEL RF	Without nipple	5701715257

Injector 02, POSEIDON 8 and SOLAR 8

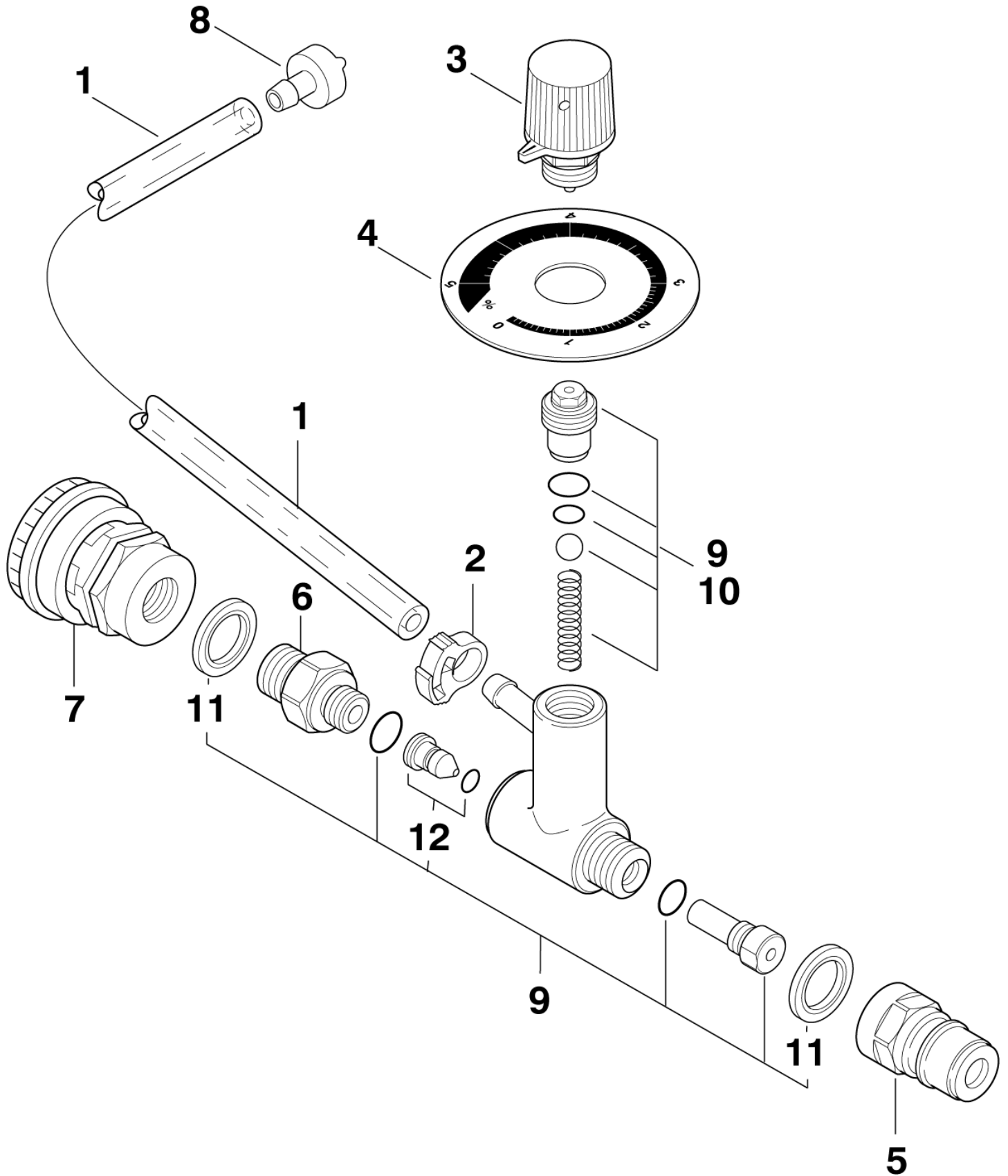
Pro. acces. - Injectors, valves and spec

17-07-2011

StyMiste ID

INJ0202

21



Injector 02, POSEIDON 8 and SOLAR 8

Pro. acces. - Injectors, valves and spec

17-07-2011

StyMiste ID

INJ0202

22

Pos	Vare nr.	Ant	Beskrivelse		EAN
-	106402248	1	SKUMINJEKTOR POSEIDON 8	POSEIDON 8, SOLAR 8	5701715422
-	6401246	1	INJEKTOR 02 KOMP.	02	5701715114
1	5206636	1	PVC-SLANGE, KLAR Ø6/Ø10		5701715046
2	1810084	1	SPÆNDEBÅND Ø10,8/12,3		5701715007
3	6101778	1	DOSERSPINDEL		5701715064
4	6150692	1	SKALA F. INJEKTOR KOMP.		5701715074
5	1600493	1	LYNKOBLINGSNIPPEL 3/8"		5701715023
6	6150675	1	STUDS		5701715074
7	106402075	1	LYNKOBLING, KOMPL.		5701715294
8	6400240	1	FILTER		5701715097
9	1119322	1	REP.KIT F. SKUMINJ. 02-03		5701715020
10	101117644	1	REP.SÆT FOR INJEKTOR	POSEIDON 8, SOLAR 8	5701715422
10	1119019	1	REP.SÆT 02 KEMINJEKTOR	02	5701715019
11	1801075	2	TÆTNINGSSKIVE 3/8" RG		5701715027
12	101117643	1	NOZZLE WITH O-RING	POSEIDON 8, SOLAR 8	5701715422
12	1119814	1	NOZZLE W. O-RING REP.KIT	02	5701715118

Injector A2, 03

Pro. acces. - Injectors, valves and spec

17-07-2011

StyMiste ID

INJ0302

24

Pos	Vare nr.	Ant	Beskrivelse	EAN
-	6401247	1	INJEKTOR 03 KOMPL.	5701715114
1	5206636	1	PVC-SLANGE, KLAR Ø6/Ø10	5701715046
2	1810084	1	SPÆNDEBÅND Ø10,8/12,3	5701715007
3	6101778	1	DOSERSPINDEL	5701715064
4	6101037	1	SKALA F. INJEKTOR 03	5701715063
5	1600493	1	LYNKOBLINGSNIPPEL 3/8"	5701715023
6	6101047	1	BUNDSKRUE F. INJEKTOR	5701715063
7	106402075	1	LYNKOBLING, KOMPL.	5701715294
8	6400240	1	FILTER	5701715097
9	1119014	1	REP.SÆT 03 KEMIIINJEKTOR	5701715019
11	1119322	1	REP.KIT F. SKUMINJ. 02-03	5701715020
12	1119323	1	REP.SÆT F. DYSE INJEKTOR	5701715020

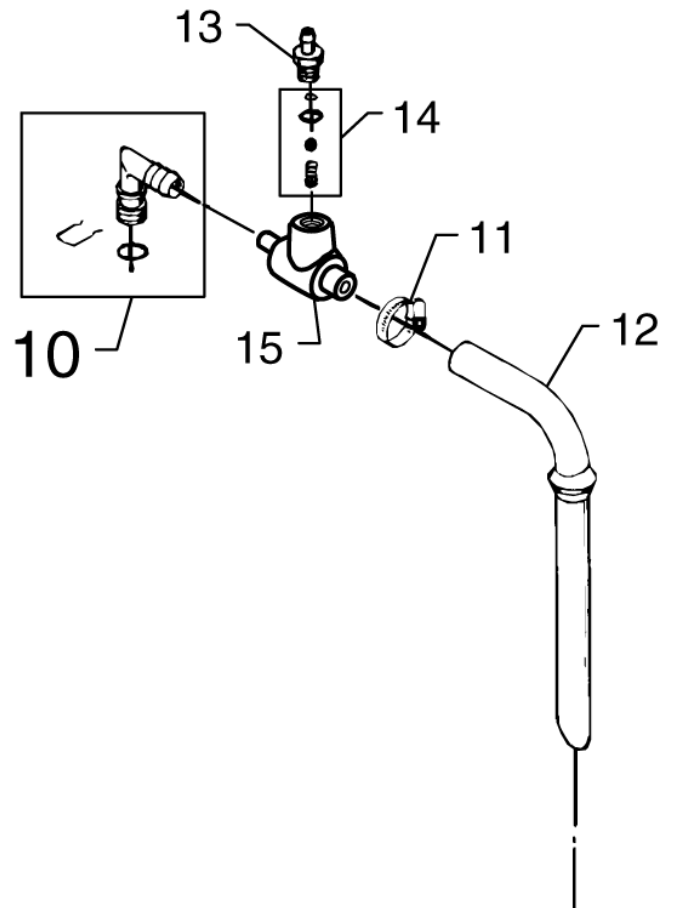
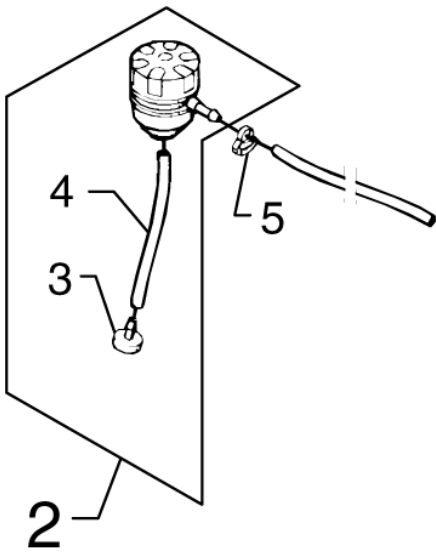
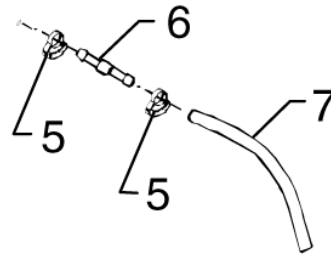
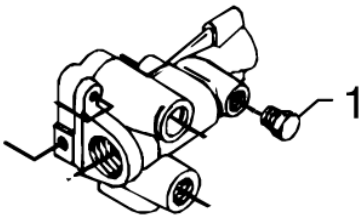
Chemical injector 40H/HA

Pro. acces. - Injectors, valves and spec

17-07-2011

StyMiste ID
INJCHEM02

25



Chemical injector 40H/HA

Pro. acces. - Injectors, valves and spec

17-07-2011

StyMiste ID
INJCHEM02

26

Pos	Vare nr.	Ant	Beskrivelse	EAN
-	6401241	1	CHEMICAL INJECTOR F. HIG PRES. 30 & 3840H/HA	5701715115
-	6401250	1	CHEMICAL INJECTOR F. HIGH PRES 08 & 16 & 1840H/HA	5701715115
1	6105533	1	PROP	5701715065
2	6180410	1	DOSERINGSENHED KOMP.	5701715077
3	6400240	1	FILTER	5701715097
4	5206636	1	PVC-SLANGE, KLAR Ø6/Ø10	5701715046
5	1810084	3	SPÆNDEBÅND Ø10,8/12,3	5701715007
6	1609293	1	HOSE TAIL	5701715422
7	5206636	1	PVC-SLANGE, KLAR Ø6/Ø10	5701715046
10	1119210	1	REP. SÆT TILGANGSVINKEL	5701715019
11	1805100	1	SPÆNDEBÅND 8-20 MM	5701715029
12	6184588	1	SUGERØR F. SVØMMEHUS	5701715078
13	3400512	1	SLANGESTUDS	5701715039
14	1119694	1	REP.SÆT F. KEMIIINJEKTOR	5701715021
15	6184677	1	HUS F. KEMI 30 & 3840H/HA	5701715078

Injector with fixed dosage

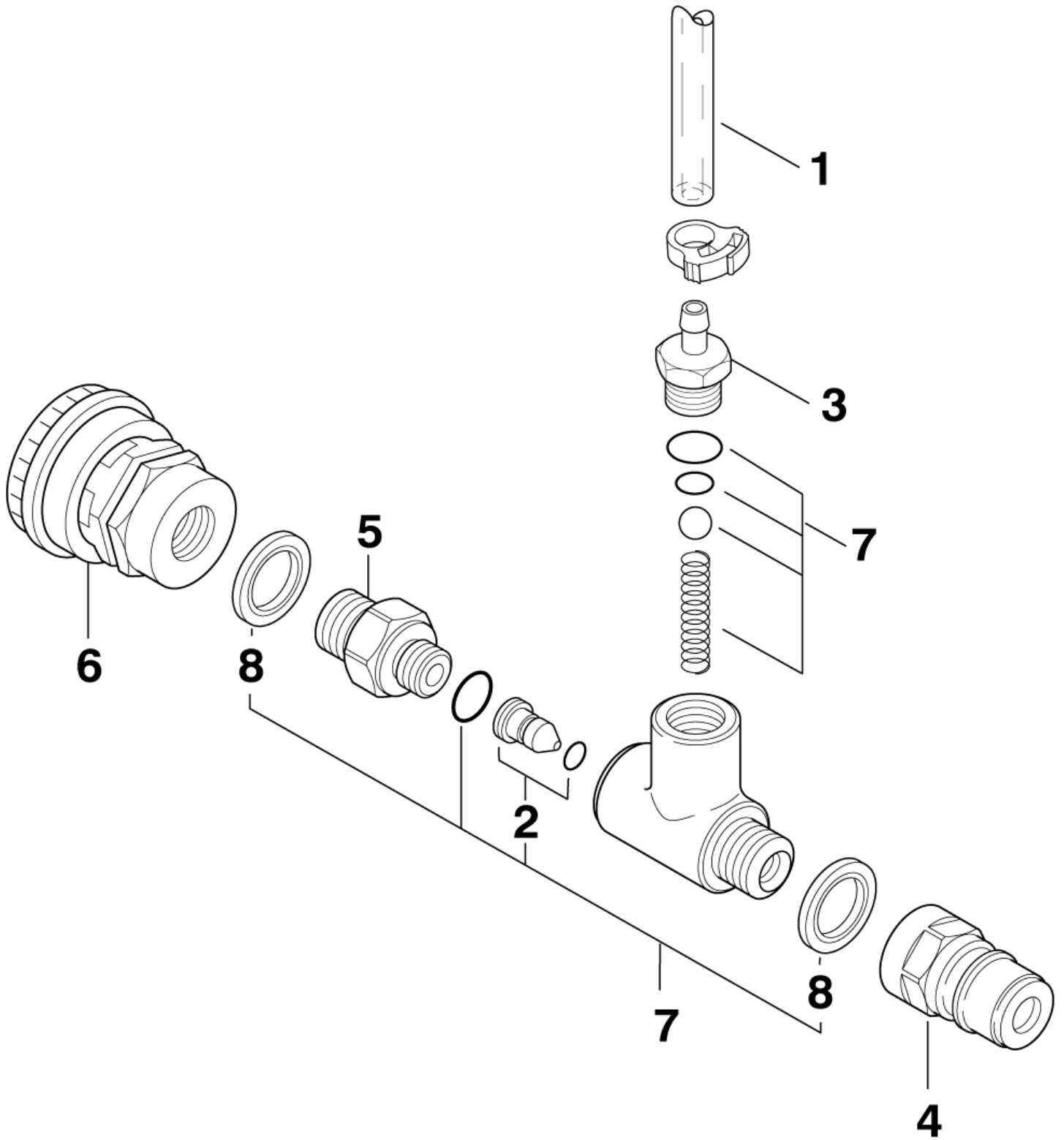
Pro. acces. - Injectors, valves and spec

17-07-2011

StyMiste ID

INJFIX02

27



Injector with fixed dosage

Pro. acces. - Injectors, valves and spec

17-07-2011

StyMiste ID

INJFIX02

28

Pos	Vare nr.	Ant	Beskrivelse	EAN
-	6401092	1	INJEKTOR M/FAST DOSERING	5701715099
1	5206636	1	PVC-SLANGE, KLAR Ø6/Ø10	5701715046
2	1119814	1	NOZZLE W. O-RING REP.KIT	5701715118
3	6401748	1	KONTRAVENTIL M/FAST DOS.	5701715100
4	1600493	1	LYNKOBLINGSNIPPEL 3/8"	5701715023
5	6150675	1	STUDS	5701715074
6	106402075	1	LYNKOBLING, KOMPL.	5701715294
7	1119332	1	REP.SÆT INJEKTOR M.F.DOS	5701715020
8	1801075	2	TÆTNINGSSKIVE 3/8" RG	5701715027

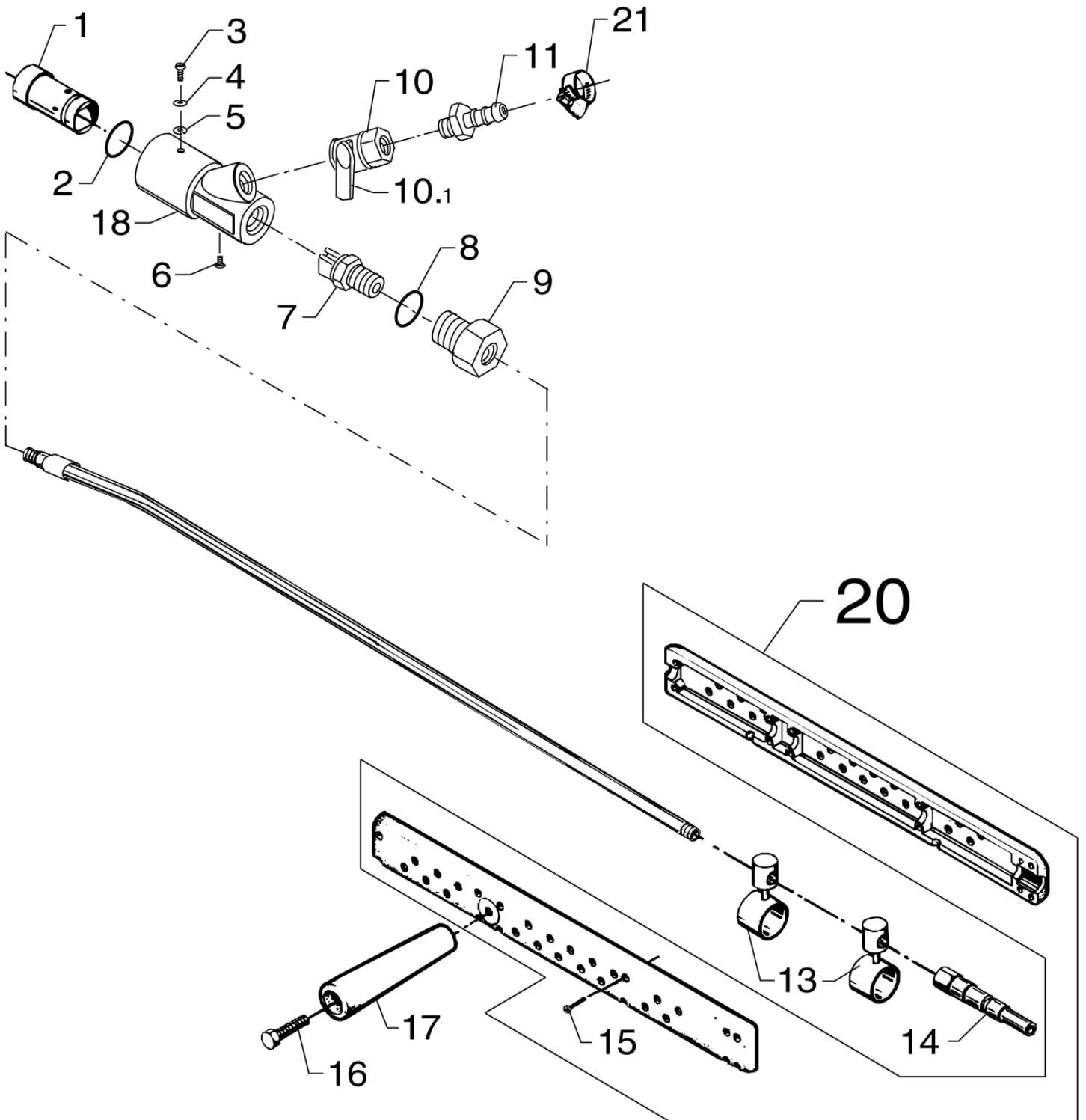
Soft blasting

Pro. acces. - Injectors, valves and spec

17-07-2011

StyMiste ID
SOFTBLAST02

29



Soft blasting

Pro. acces. - Injectors, valves and spec

17-07-2011

StyMiste ID
SOFTBLAST02

30

Pos	Vare nr.	Ant	Beskrivelse	EAN
-	6401233	1	SOFT BLASTING 05 Nozzle 05	5701715099
-	6401234	1	SOFT BLASTING 06 Nozzle 06	5701715005
1	7101075	1	FORDYSE F. SOFTBLASTING	5701715108
2	7101076	1	O-RING FOR SOFT BLASTING	5701715108
3	1800606	1	MASKINSKRUE M4X10	5701715026
4	1800887	1	SKIVE M4	5701715027
5	1802982	1	FJEDERSKIVE M4	5701715028
6	1800861	1	MASKINSKRUE M4X8	5701715008
7	2800035	1	DYSE 1506	5701715036
7	2800340	1	DYSE 1505	5701715036
8	3002045	1	O-RING	5701715038
9	7101079	1	PROP FOR SOFT BLASTING	5701715108
10	7101078	1	LUKKEVENTIL F.SOFT BLAST	5701715108
11	7101077	1	HOSE TAIL FOR SOFT BLASTIN	5701715108
13	6400355	2	OPHÆNG F. SANDSLANGE	5701715097
14	1609325	1	LYNKOBLINGSNIPPEL RF	5701715257
15	101814698	12	SKRUE	5701715304
16	1800150	1	SÆTSKRUE M8X30	5701715026
17	4000014	1	TVÆRGREB	5701715045
18	6401881	1	HUS F. SOFT BLASTING	5701715265
20	1118009	1	REP.SÆT F. SPULERØR	5701715018
21	8298	1	SPÆNDEBÅND	4005337082
10A	7101080	1	HANDLE FOR SHUT-OFF VALVE	5701715108

TAP A

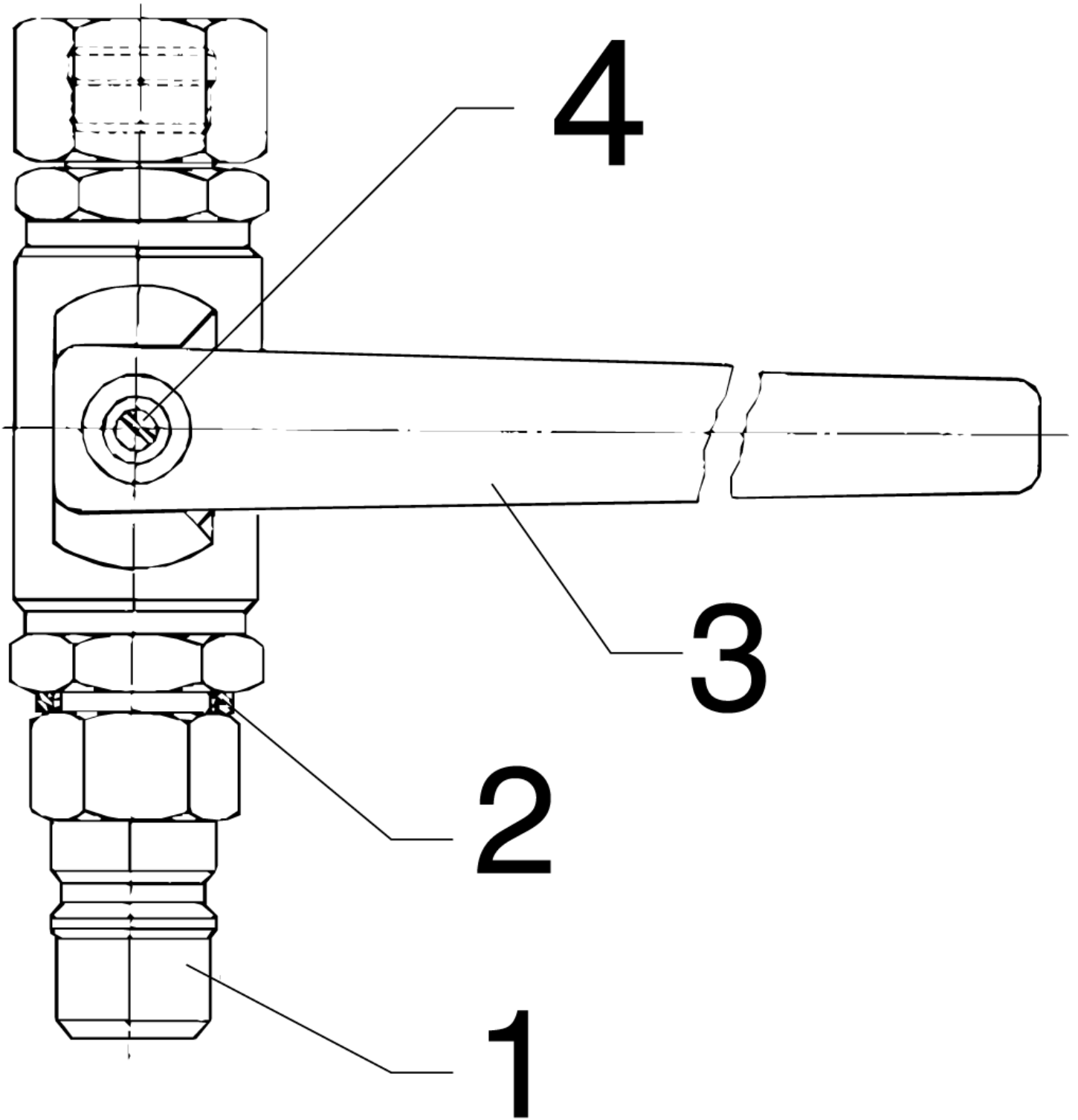
Pro. acces. - Injectors, valves and spec

17-07-2011

StyMiste ID

TAPA02

31



TAP A

Pro. acces. - Injectors, valves and spec

17-07-2011

StyMiste ID

TAPA02

32

Pos	Vare nr.	Ant	Beskrivelse	EAN
-	1119323	1	REP.SÆT F. DYSE INJEKTOR	5701715020
1	1600493	1	LYNKOBLINGSNIPPEL 3/8"	5701715023
1	1603101	1	LYNKOBLINGSNIPPEL, RF	5701715024
2	1801075	1	TÆTNINGSSKIVE 3/8" RG	5701715027
3	6300411	1	HÅNDTAG	5701715090
4	1119324	1	REP.SÆT SKRUE + SKIVE	5701715020

TAP B

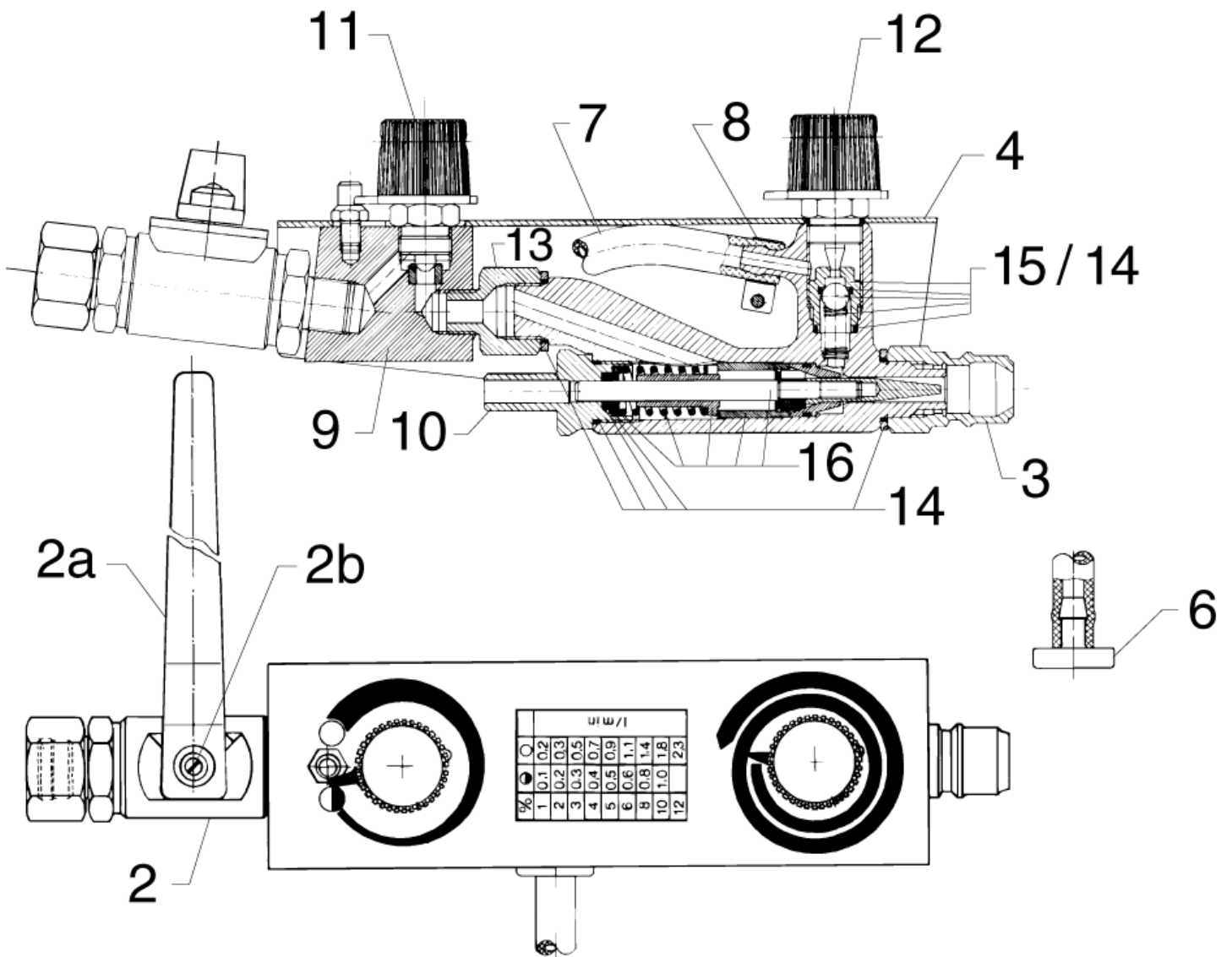
Pro. acces. - Injectors, valves and spec

17-07-2011

StyMiste ID

TAPB02

33



TAP B

Pro. acces. - Injectors, valves and spec

17-07-2011

StyMiste ID

TAPB02

34

Pos	Vare nr.	Ant	Beskrivelse	EAN
-	6300550	1	TAPPESTED MINJEKTOR	5701715090
-	6300551	1	TAP WITH INJECTOR	5701715090
3	1600493	1	LYNKOBLINGSNIPPEL 3/8"	5701715023
3	1603101	1	LYNKOBLINGSNIPPEL, RF	5701715024
6	6400240	1	FILTER	5701715097
7	5206636	1	PVC-SLANGE, KLAR Ø6/Ø10	5701715046
8	1810084	1	SPÆNDEBÅND Ø10,8/12,3	5701715007
10	6101047	1	BUNDSKRUE F. INJEKTOR	5701715063
11	6300650	1	DOSERVENTIL	5701715090
12	6101778	1	DOSERSPINDEL	5701715064
14	1119014	1	REP.SÆT 03 KEMINJEKTOR	5701715019
15	1119322	1	REP.KIT F. SKUMINJ. 02-03	5701715020
16	1119323	1	REP.SÆT F. DYSE INJEKTOR	5701715020
2A	6300411	1	HÅNDTAG	5701715090
2B	1119324	1	REP.SÆT SKRUE + SKIVE	5701715020

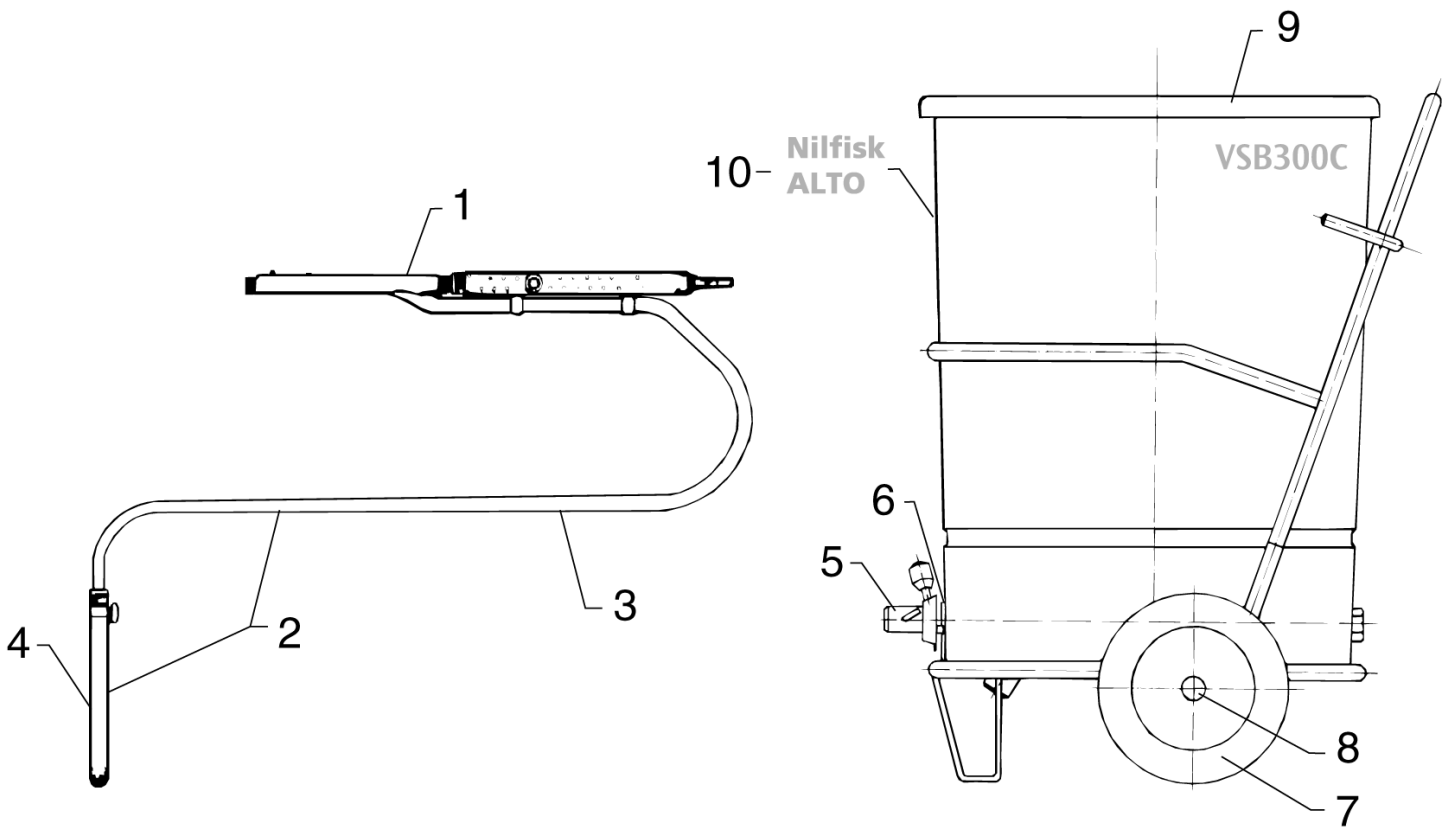
WSB Container

Pro. acces. - Injectors, valves and spec

17-07-2011

StyMiste ID
WSBCONTAINER02

35



WSB Container

Pro. acces. - Injectors, valves and spec

17-07-2011

StyMiste ID
WSBCONTAINER02

36

Pos	Vare nr.	Ant	Beskrivelse	EAN
-	6400374	1	VSB 300, CONTAINER	5701715008
1		1	USE LINK	
2	6400375	1	VSB 300, SPYD + SLANGE	5701715097
3	2402410	1	SANDSLANGE L=10 M	5701715034
4	6400373	1	SUGERØR KOMP.	5701715097
5		1	NOTE COMMENT	5701715456
			Dosing unit	
6	3001708	1	PAKNING VS-0018	5701715038
7	2005726	2	WHEEL	5701715031
8	2003481	2	NAVKAPSEL KOMP. Ø20	5701715031
9	6400638	1	LÅG F. SANDCONTAINER	5701715098
10	6155913	1	ALTO LOGO	5701715240

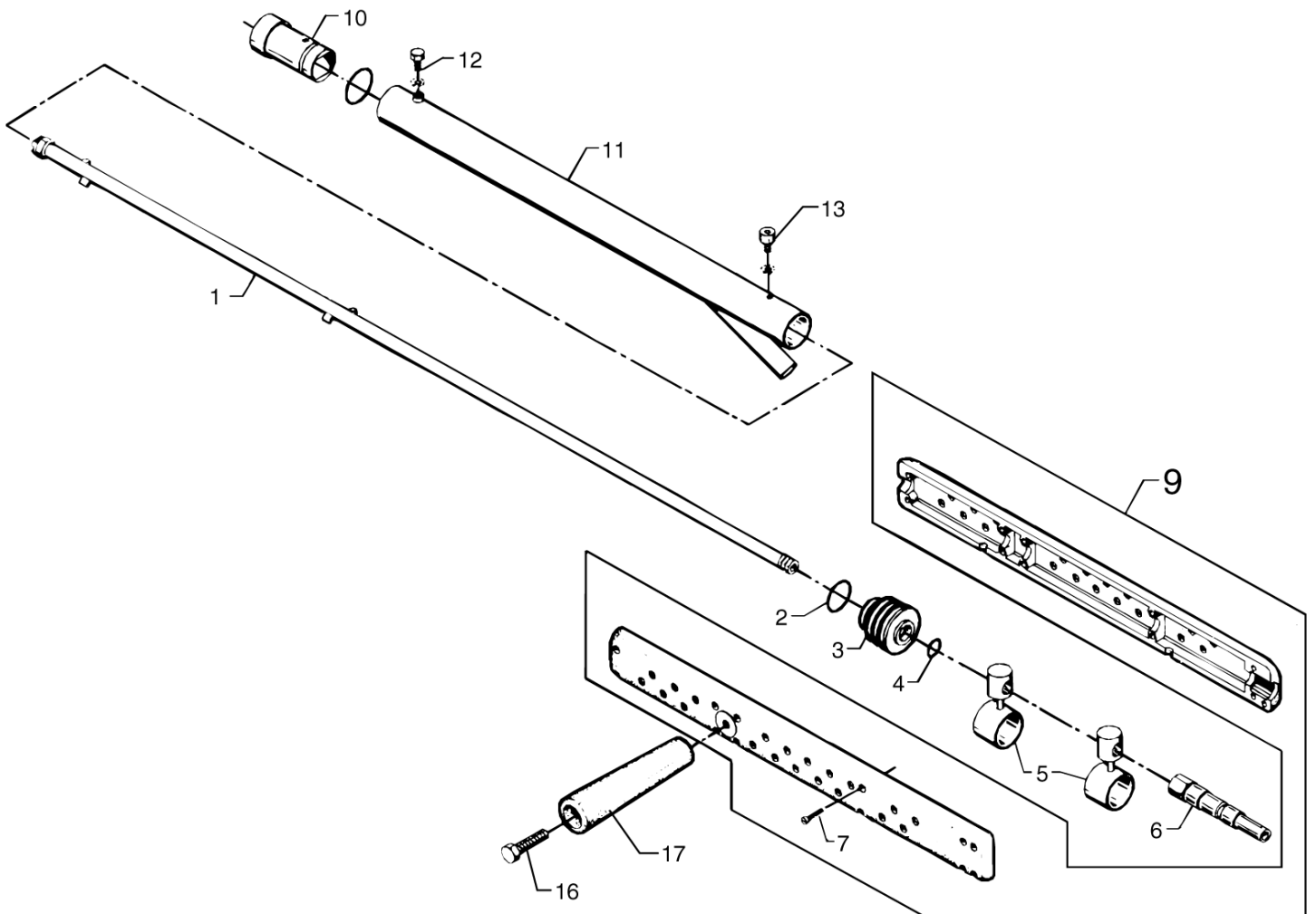
WSB lance

Pro. acces. - Injectors, valves and spec

17-07-2011

StyMiste ID
WSBLANCE02

37



WSB lance

Pro. acces. - Injectors, valves and spec

17-07-2011

StyMiste ID
WSBLANCE02

38

Pos	Vare nr.	Ant	Beskrivelse		EAN
-	6400382	1	SANDINJEKTOR M/SPREDED.06	03K, 03V	5701715097
-	6400384	1	SANDINJEKTOR M/0-DYSE 06	03K, 03V	5701715097
-	6400387	1	SANDINJEKTOR M/SPREDED.05	02K, 02V, A2K, A2V	5701715097
-	6401192	1	SANDINJEKTOR M. GUMMIDYSE	Professional 5500	5701715017
-	6401362	1	SANDINJEKTOR	02	5701715099
-	6401364	1	SANDINJEKTOR M/GUMMIDYSE	02K, 02V, A2K, A2V, 40C, 40H	5701715099
-	6401365	1	SANDINJEKTOR M/GUMMIDYSE	03K, 03V	5701715099
1	6401192	1	SANDINJEKTOR M. GUMMIDYSE	Professional 550	5701715017
1	6401332	1	INDERRØR M/0-DYSE	03K, 03V	5701715099
1	6401359	1	INDERRØR M/SPREDEDYSE 03	03K, 03V	5701715099
1	6401360	1	INDERRØR M/SPREDEDYSE 02	02K, 02V, A2K, A2V, 40C, 40H	5701715099
1	6401369	1	INDERRØR M. 0-DYSE	02K, 02V, A2K, A2V	5701715100
2	3000825	2	O-RING 20,24X2,62 NITRIL		5701715037
3	6400587	1	PROP F. RENSEHÅNDTAG		5701715098
4	3001682	1	O-RING 12,3X2,4		5701715038
5	6400355	2	OPHÆNG F. SANDSLANGE		5701715097
6	1609325	1	LYNKOBLINGSNIPPEL RF		5701715257
7	101814698	10	SKRUE		5701715304
9	1118009	1	REP.SÆT F. SPULERØR	from 20.08.99	5701715018
10	6400377	1	0-DYSE BORCARBID FOR WSB		5701715097
10	6400379	1	SPREDEDYSE BORCARBID		5701715097
10	6402317	1	GUMMIDYSER F. VSB, 10 STK		5701715101
11	6400354	1	YDERRØR F. SANDUDSTYR		5701715097
12	1804160	1	SÆTSKRUE M4X8		5701715029
13	1804459	1	INSEX M4X6		5701715029
16	1800150	1	SÆTSKRUE M8X30		5701715026
17	4000014	1	TVÆRGREB		5701715045