

SSE 350

Model:
SSE 350



Part List US-English

13-12-2012

Table of Contents

SSE 350

Wastewater tank. Clearwater tank	3
Chassis. Wheels	5
Brush drive	7
Squeegee	9
Suction motor	11
Brush motor	13
Handle	15
Power wand	17

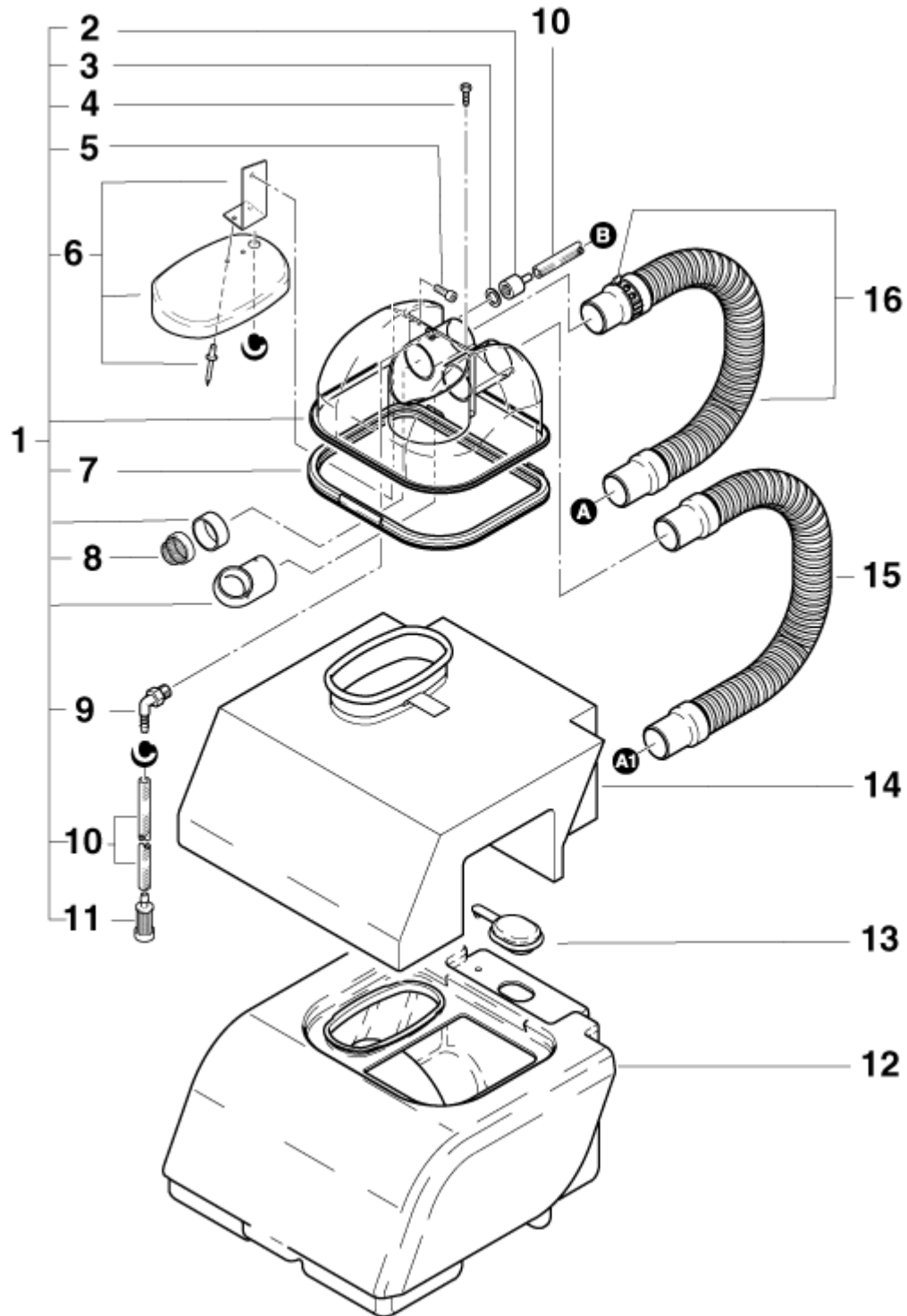
Wastewater tank. Clearwater tank

SSE 350

13-12-2012

Part List ID
SSE35001

3



SSE350-I01

Wastewater tank. Clearwater tank

SSE 350

13-12-2012

Part List ID

SSE35001

4

Pos	Part no.	Qty	Description
1	62406	1	COVER
2	62409	1	HOSE NOZZLE
3	62408	1	TIGHTENING GASKET
4	4036	1	SHEET METAL SCREW 2.9X9
5	44939	1	CAP SCREW M 4X 8
6	62418	1	COVER SSE 350
7	62407	1	GASKET
8	44922	1	FILTER
9	62411	1	HOSE LINER
10	101406100	1	HOSE DN 6X3 5M PLEASE INDICATE LENGTHS IN METRES WHEN ORDERING
11	62412	1	SUCTION FILTER
12	67048	1	CONTAINER SSE 350
13	62417	1	TANK COVER 40X25
14	62415	1	WATER TANK SSE 350
15	62414	1	SUCTION HOSE DN32X590
16	62413	1	SUCTION HOSE DN 32X480

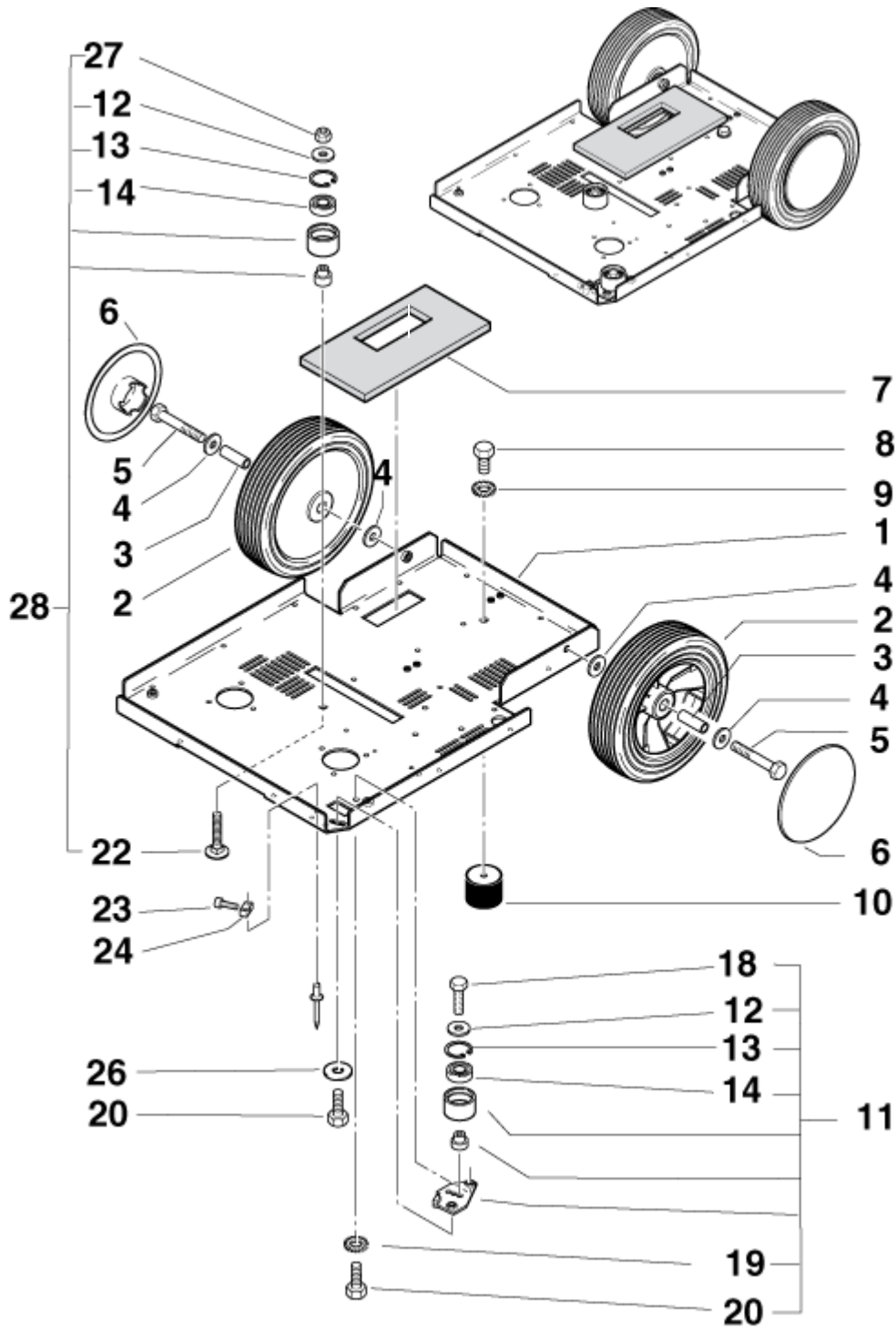
Chassis. Wheels

SSE 350

13-12-2012

Part List ID
SSE35002

5



SSE350-102

Chassis. Wheels

SSE 350

13-12-2012

Part List ID
SSE35002

6

Pos	Part no.	Qty	Description
1	62420	1	BASEPLATE
2	62421	2	WHEEL
3	303000031	2	SPACER PIECE
4	34939	4	WASHER 8.4X2
5	51149	2	HEXAGONAL BOLT M 8X 5
6	67050	2	HUB CAP
7	62423	1	SEALING MAT
8	5370	1	SCREW M8X10
9	2803	1	WASHER A 8.2 DIN6797 ZN FORM J
10	62424	1	BUFFER D40X30 M8
11	62425	1	EXPANDING PULLEY D34X20
12	14805	2	WASHER 6.4X1.6
13	62426	2	CIRCLIP FOR BORES
14	20938	2	BEARING WAS 2809
18	2752	1	HEX. SCREW M6X20 ISO 4017 ST/ZN
19	7062	1	SERRATED WASHER A 6.4 DIN 6797 ZN
20	8917	2	SCREW M6X12
22	17192	1	FLAT HEAD SCREW M6X30 DIN 603 ZN
23	9768	1	CYLINDER SCREW M4X12 ISO 4762 ST 8.8/ZN
24	303000360	1	BELT TENSIONER 12X8X8 S
26	14805	1	WASHER 6.4X1.6
27	33158	1	LOCK NUT M6 A2 DIN 985
28	62427	1	DEFLECTION SHEAVE D34X20

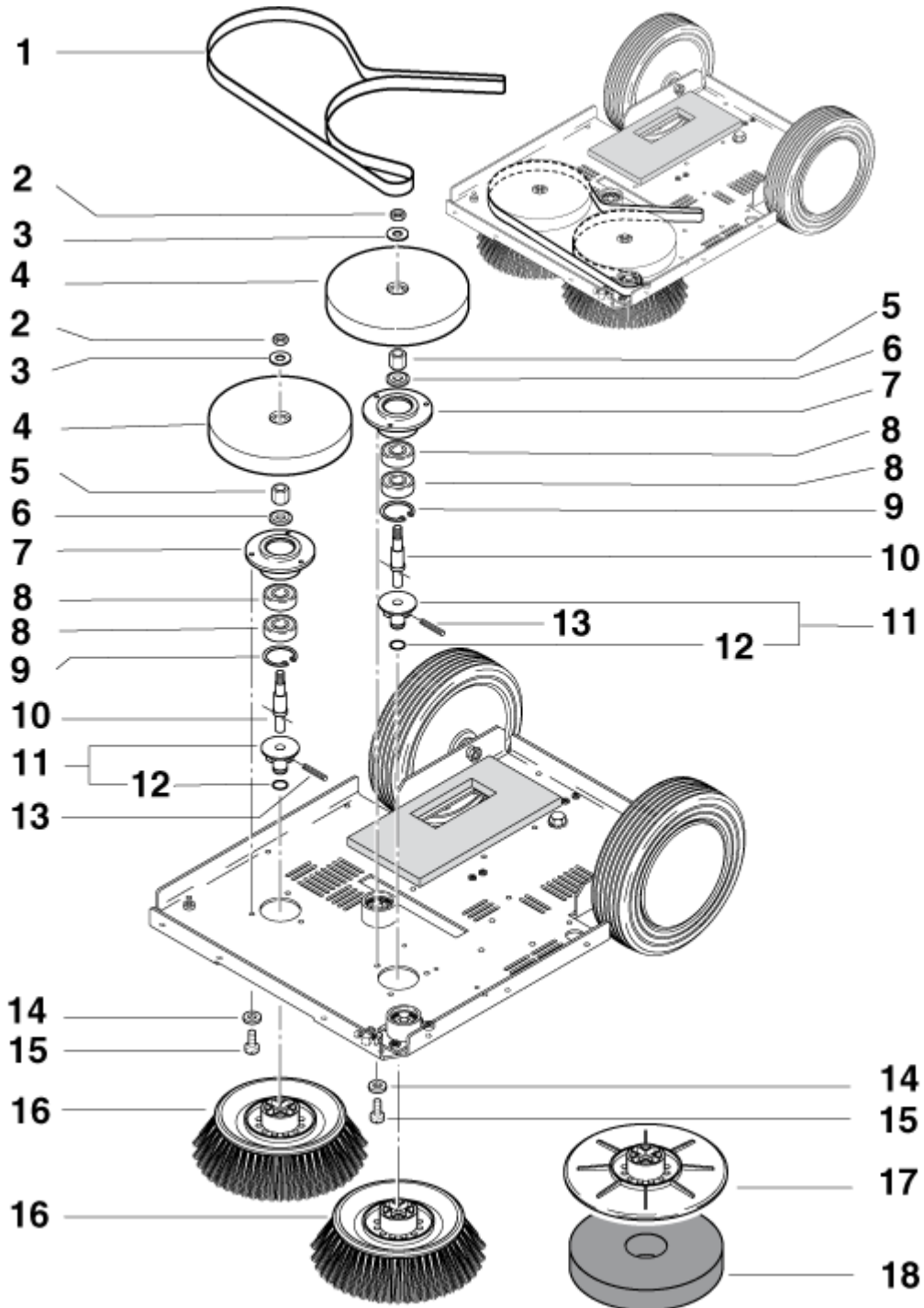
Brush drive

SSE 350

13-12-2012

Part List ID
SSE35003

7



SSE350-103

Brush drive

SSE 350

13-12-2012

Part List ID
SSE35003

8

Pos	Part no.	Qty	Description	
1	62428	1	FLAT BELT 1050X15X0.8	
2	20908	2	HEXAGON NUT M8 A2 ISO 4032	
3	34939	2	WASHER 8.4X2	
4	62429	2	STRAP WHEEL	
5	62430	2	SLEEVE	
6	62431	2	WASHER	
7	62432	2	BEARING HOUSING D67X26	
8	44938	4	BEARING	
9	44943	2	RING	
10	62433	2	SHAFT D14X28	
11	62434	2	PICKUP	
12	19692	2	O-RING 9.2 X2.62 ARP	22.02.1999=>
12	42768	2	O-RING 11.2x1.8 DIN 3771 NBR70	=>21.2.1999
13	10455	2	SPRING-TYPE STRAIGHT PIN	=>21.02.1999
13	6130	2	TENSION-PIN M4X30 ISO 8752 ZN	22.02.1999=>
14	53621	6	SCREW 4.3X0.8 A 125	
15	3288	6	SCREW M4X8	
16	62435	2	BRUSH SCRUB STANDARD 6.5 INCH	
17	62436	2	DRIVING PAD 6.5	
18	72500221	2	PAD 5 PCS 165MM WHITE	Option
18	72500222	2	PAD 5 PCS 165MM RED	
18	72500223	2	PAD 5 PCS 165MM BROWM	Option

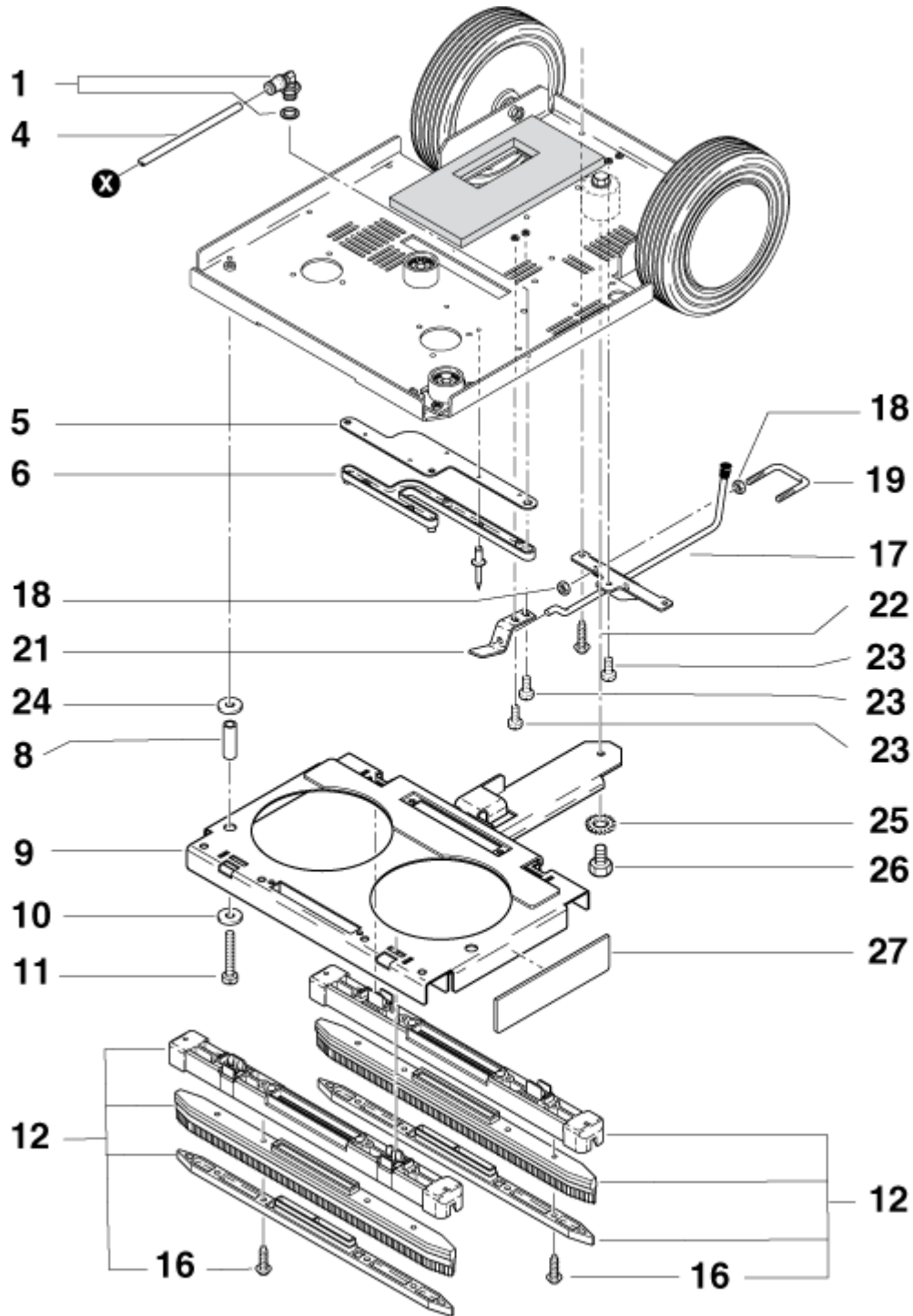
Squeegee

SSE 350

13-12-2012

Part List ID
SSE35004

9



SSE350-I04

Squeegee

SSE 350

13-12-2012

Part List ID
SSE35004

10

Pos	Part no.	Qty	Description
1	62450	1	HOLLOW SCREW
4	20869	1	PIPE
PLEASE INDICATE LENGTHS IN METRES WHEN ORDERING			
5	62441	1	GASKET
6	62442	1	WATER CHANNEL
8	303000138	2	SLEEVE
9	62496	1	NOZZLE HOLDER 345X420
10	17849	2	WASHER 6.4X1.6 ISO 7090
11	9570	2	SCREW M6X40
12	62439	2	SQUEEGEE BLADES
16	10028	8	SCREW KA50X14 WN1411
17	62440	1	BAR FOR SSE 400
18	3136	4	HEXAGON NUT M6
19	62438	1	SHACKLE D6 46X40
21	62443	1	SQUARE FOR SSE/B
22	54031	2	EJOT SCREW KA40X14 WN1413 A2
23	27138	3	LENS HEAD COUNTERS. SCREW
24	2766	2	WASHER 6.4X1.6
25	2803	1	WASHER A 8.2 DIN6797 ZN FORM J
26	5370	1	SCREW M8X10
27	65428	2	NOZZLE PROTECTOR

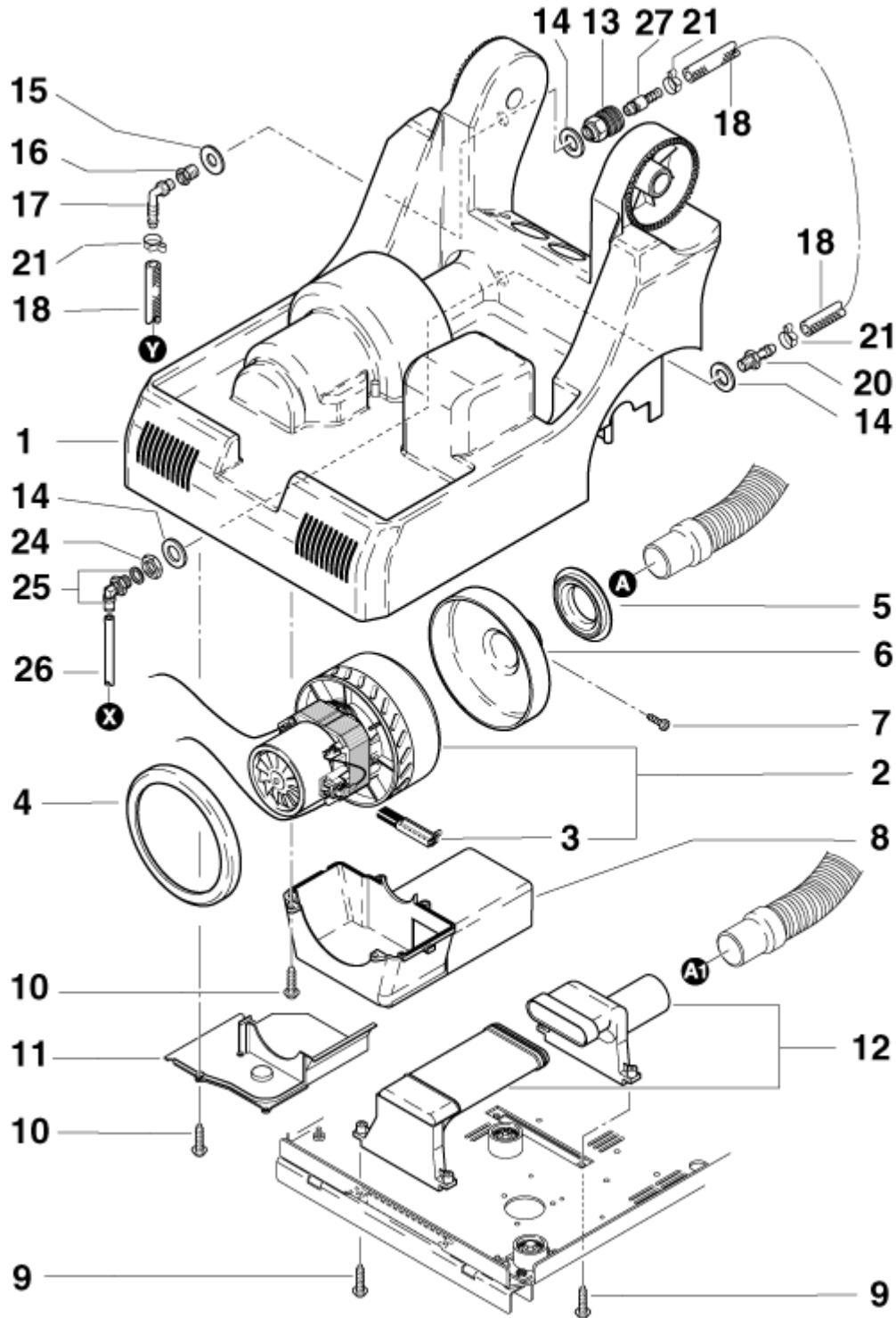
Suction motor

SSE 350

13-12-2012

Part List ID
SSE35005

11



SSE350-105

Suction motor

SSE 350

13-12-2012

Part List ID
SSE35005

12

Pos	Part no.	Qty	Description
1	62444	1	HOUSING
2	62503	1	SUCTION TURBINE
3	26775	1	CARBON BRUSH SET L
4	31843	1	GASKET RING FOR MOTOR
5	62445	1	PACKING RING D80X12
6	62446	1	CONNECTING CAP
7	4036	1	SHEET METAL SCREW 2.9X9
8	62447	1	HOUSING COVER
9	10028	4	SCREW KA50X14 WN1411
10	16861	6	SCREW 4X20 WN1412
11	62448	1	COVER 155X130X55
12	62449	1	SUCTION CANAL SSE 350 FRONT-MOUNT
13	303000252	1	COUPLING IG 1/4
14	28134	3	WASHER 35.0X24.0X1.5
16	53973	1	REDUCING NIPPLE 1/4-1/8
17	7418	1	NIPPLE....
18	101406100	1	HOSE DN 6X3 5M PLEASE INDICATE LENGTHS IN METRES WHEN ORDERING
20	303000359	1	HOSE NOZZLE D8 R3/8-1/4
21	7239	1	HOSE CLIP D14.5
24	7393	1	HEXAGON NUT R3/8X5
25	303000362	1	THREADED JOINT D6-G1/4
26	20869	1	PIPE PLEASE INDICATE LENGTHS IN METRES WHEN ORDERING
27	303000361	1	NIPPLE 1/2-D8.5 SSE 3

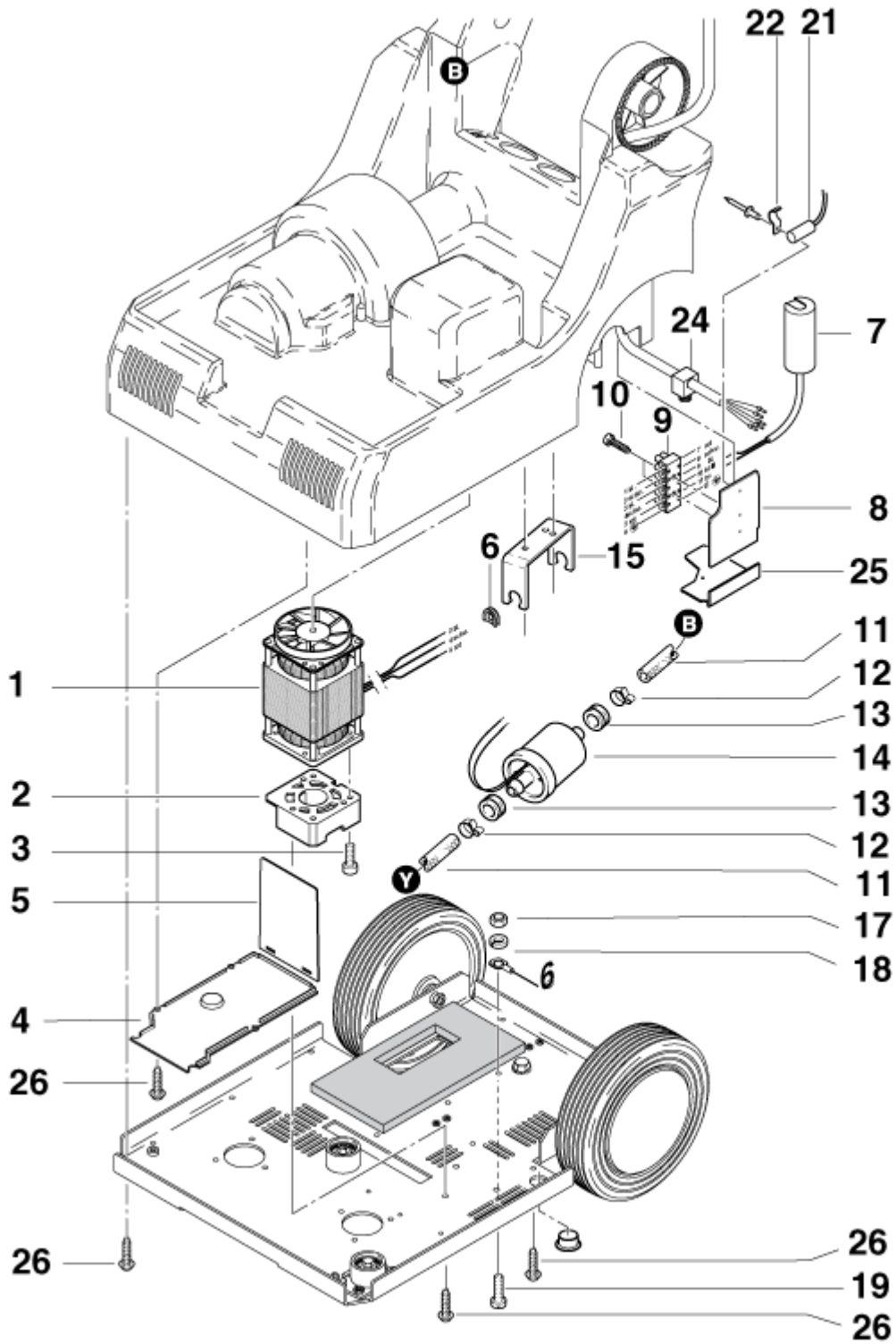
Brush motor

SSE 350

13-12-2012

Part List ID
SSE35006

13



SSE350-I06

Brush motor

SSE 350

13-12-2012

Part List ID
SSE35006

14

Pos	Part no.	Qty	Description
1	62458	1	MOTOR 230V 50HZ 0.1 KW
2	63243	1	MOTOR FLANGE
3	16861	3	SCREW 4X20 WN1412
4	303000353	1	COVER 188X102X35 SSE 35
5	303000355	1	PLATE 1.0X110X81 SSE 35
7	303000354	1	CAPACITOR 5Ø 450V SSE
8	303000358	1	PLATE 84X68X2 SSE 350
9	15663	1	WIRE TERMINAL
10	5188	2	TREAD-CUTTING SCREW 2.9X16 C-H ISO 7049
11	101406100	1	HOSE DN 6X3 5M PLEASE INDICATE LENGTHS IN METRES WHEN ORDERING
12	7239	2	HOSE CLIP D14.5
13	7385	2	RETAINING RING
14	48330	1	WATER SPRAY PUMP
15	7386	1	RETAINING STIRRUP. ALUMIN
17	2759	1	HEXAGON NUT M4
18	24353	1	WASHER 4.3X1
19	3389	1	CYLINDER SCREW M4X20 ISO 1207 ZN
21	62461	1	CONDENSER
22	303000379	1	HOLDER 26X21X 8 SSE 350
24	62462	1	STAIN RELIEF
25	303000352	1	COVER 71X66X17 SSE 350
26	16861	16	SCREW 4X20 WN1412

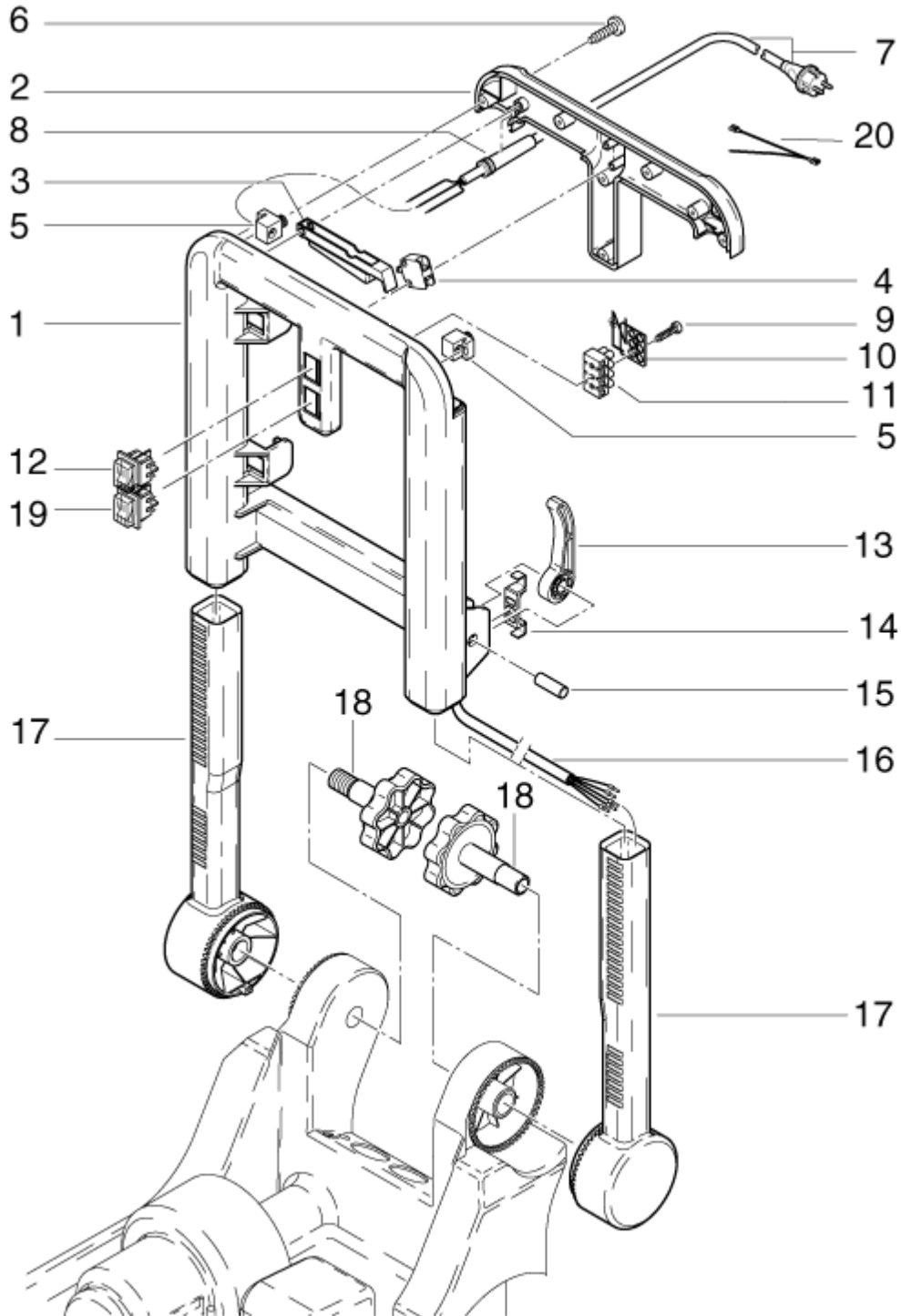
Handle

SSE 350

13-12-2012

Part List ID
SSE35007

15



SSE350-107

Handle

SSE 350

13-12-2012

Part List ID
SSE35007

16

Pos	Part no.	Qty	Description
1	62463	1	HANDLE RECESS
2	62464	1	HANDLE
3	62465	1	CONTROL LEVER
4	62466	1	CONTACT
5	62467	1	STRAIN RELIEF CLAMP
6	1813641	8	SCREW EYOT- KB40X16 WN
7	14797	1	CABLE H05VV-F 3G1.5X7.5 *EU*
7	302000957	1	POWER CORD *GB*
8	7352	1	CABLE GROMMET
9	5188	2	TREAD-CUTTING SCREW 2.9X16 C-H ISO 7049
10	7146	1	LABEL
11	12070	1	TERMINAL BLOCK
12	43989	1	SWITCH 0-1/16-8-A
13	62468	2	LEVER
14	62469	2	LOCK
15	62470	2	THREADED PIN
16	62471	1	CABLE NET 3G1.5X850 SSE
17	62472	2	BRACKET WITH PIVOT HEAD
18	62473	2	STAR KNOB
19	11992	1	SWITCH
20	303000368	1	WIRE RED 0.75X260 DIODE 1

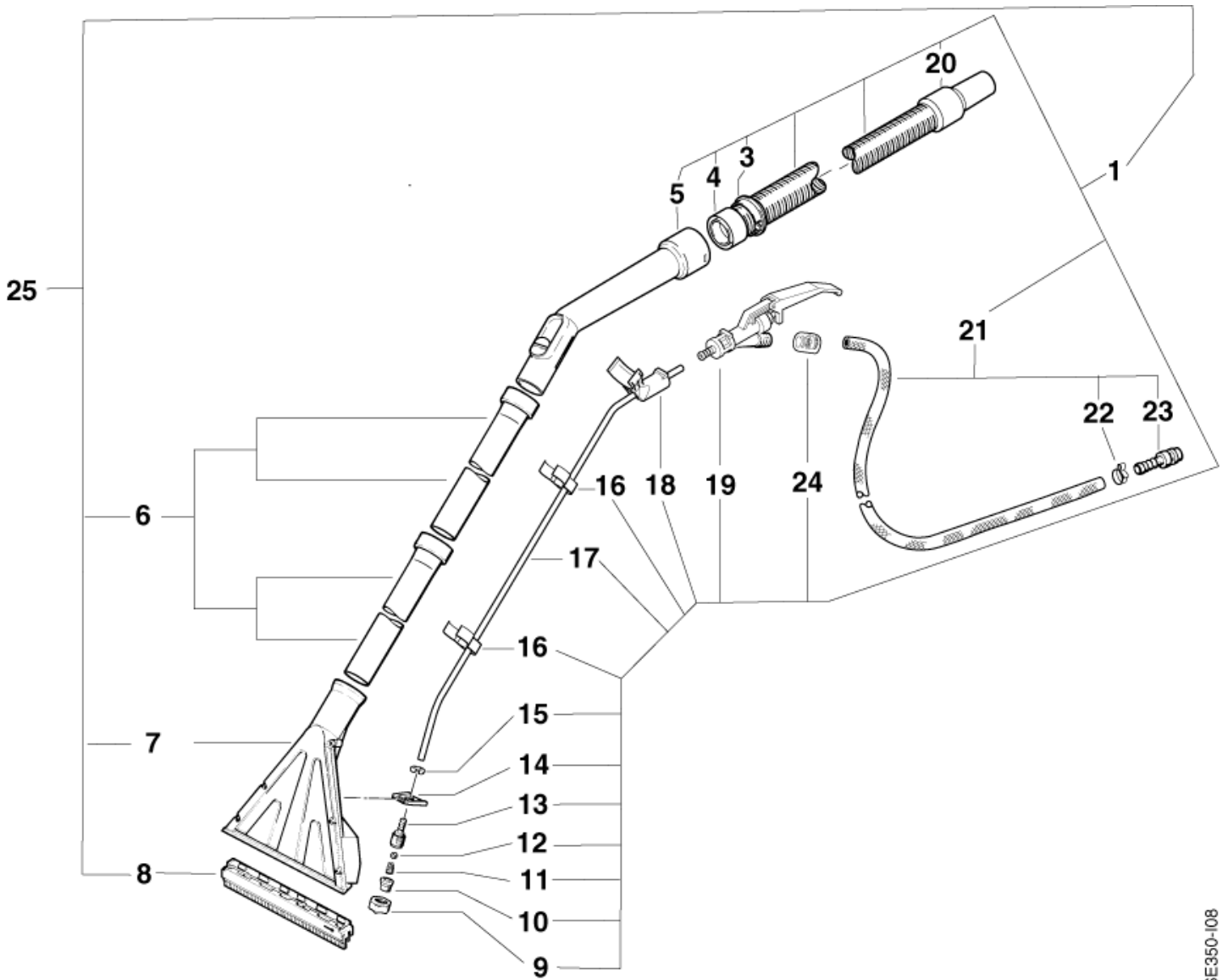
Power wand

SSE 350

13-12-2012

Part List ID
SSE35008

17



Power wand

SSE 350

13-12-2012

Part List ID
SSE35008

18

Pos	Part no.	Qty	Description
1	62498	1	VAC / SPRAY HOSE
3	61154	2	RING Ø 32
4	302000476	2	BUSHING 32
5	48332	1	HAND TUBE CURVED DN32
6	15546	1	EXTEN TUBE Ø36 2X500MM SS
7	47895	1	SUCTION NOZZLE
8	47896	1	INSERT
9	7365	1	CAP NUT R3/8
10	7364	1	NOZZLE 608-90
11	34477	1	SPRING
12	34478	1	BALL
13	34479	1	NOZZLE HOLDER - TW 300S
14	47897	1	PLATE
15	34480	1	RETAINING WASHER D9 A2
16	48375	2	HOSE CLIP
17	28090	1	CHEMICAL TUBE
18	34481	1	MOUNTING TW 300 S
19	48376	1	LEVER
20	46679	1	CONNECTING BRACKET
21	48377	1	SPR.-HOSE
22	48378	1	BUSH D10
23	48820	1	HOSE LINER DN6
24	48379	1	CAP NUT 8-6
25	62497	1	POWER WAND SSE 350