

SQ 850-11, SQ 23 GALLON

Model:
SQ 850-11



Stykliste Dansk

08-06-2013

Nilfisk
ALTO
works for you

www.nilfisk-alto.com

Indholdsfortegnelse

SQ 850-11, SQ 23 GALLON

Clamping plate, filter cassette	3
Base, motor	5
Cover, switch box	7
Cleaning set, filter	9
CHASSIS	11
Container, filter bag, accessories	13

Clamping plate, filter cassette

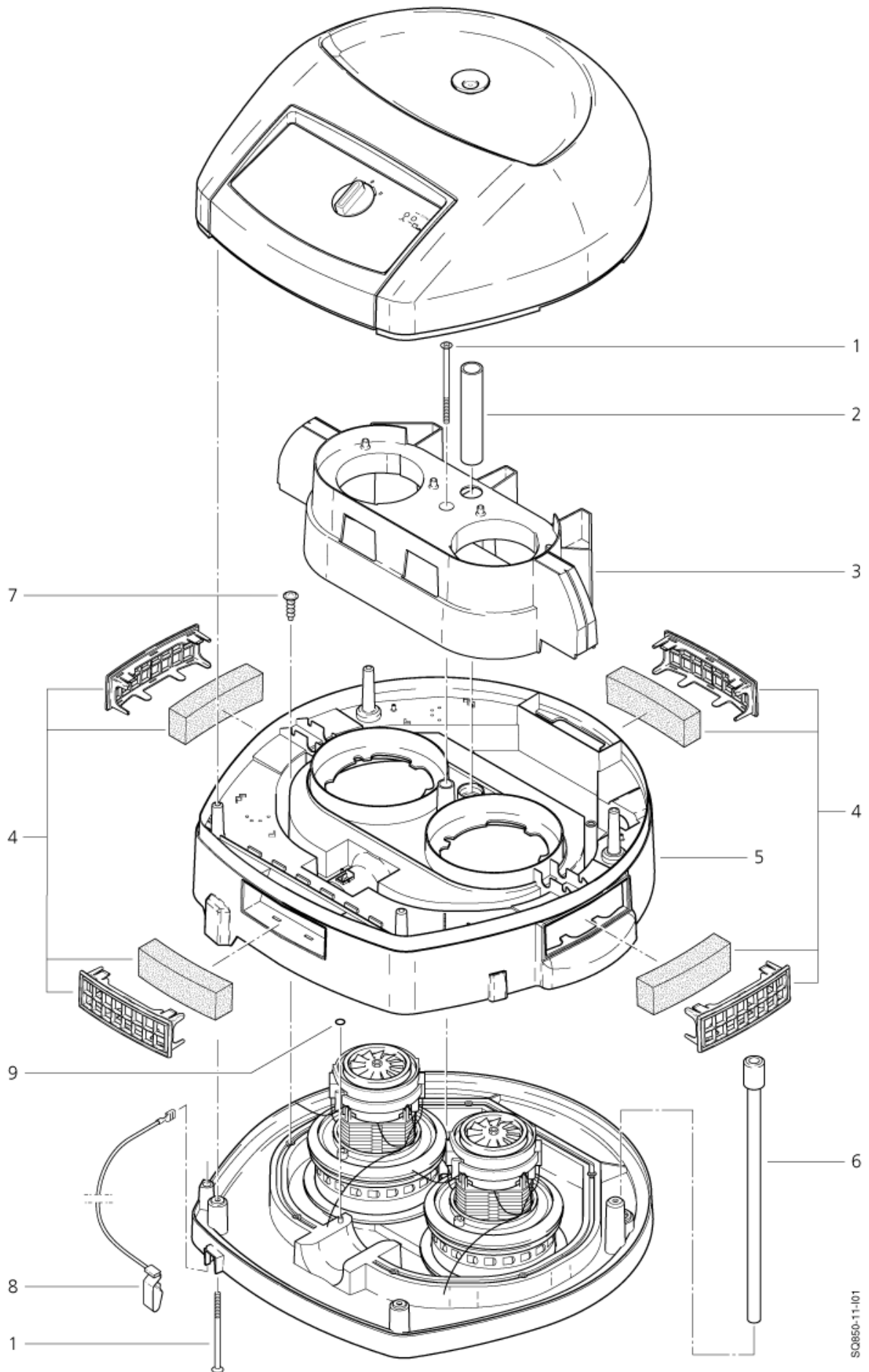
SQ 850-11, SQ 23 GALLON

08-06-2013

StyMiste ID

SQ85001

3



SQ850-11-101

Clamping plate, filter cassette

SQ 850-11, SQ 23 GALLON

08-06-2013

StyMiste ID

SQ85001

4

Pos	Vare nr.	Ant	Beskrivelse
1	11257	1	Skrue M6X90
2	61213	1	TUBE 25X133
3	60629	1	COOLING-AIR-CONDUIT SQ 8 JET BLACK PP
4	62007	1	Filter Kit
5	62199	1	CLAMPING PLATE
6	60634	1	Rubber Tube
7	11565	1	Skrue Pt5X18
8	61174	1	Jordkabel
9	62359	1	GASKET 9X4X1

Base, motor

SQ 850-11, SQ 23 GALLON

08-06-2013

StyMiste ID

SQ85002

6

Pos	Vare nr.	Ant	Beskrivelse	
1	11256	1	Skrue Ka3,5X18	
2	48421	1	TERMINAL STRIP	
3	107400270	1	CORD H05RR-F 3G1.5 BS1 363 GB	*GB,230V*
3	14503	1	POWER CABLE	*ZA*
3	14885	1	Ledning 3G1,5X7,5	*EU*
3	28501	1	POWER CORD SJOW-AWG12/3X	SQ 23 GALLON *US*
3	60442	1	WIRE NET H07RN-F 3G1.0X7.5 SEV 12 /AEH	*CH*
3	62016	1	POWER CORD H07BQ-F 3G2.5X7.5	*GB,110V*
3	62327	1	Kabel For Sq - Dk	*DK*
4	1762	1	NUT 6KT PG 16 46320 MS	
5	11567	1	CABLE SCREWING W. ANTIBUC.	
6	26785	1	MOTOR 120V 1000W	1000 W / 120 V *GB,110V* - SQ 23 GALLON *US*
6	49594	1	Motor 220V Sq	1200 W / 230 V *GB,230V* ZA*
6	49598	1	Motor - Turbine 1000W	1000 W / 230 V *CH*
6	62012	1	E-Motor 230V/1400 W	1400 W / 230 V *EU*DK*
7	47035	1	COLLAR 55 SHORE A EPDM	for identif. letter "L" + "M"
7	47036	1	Gummipakning	for identif. letter "C"
8	26774	1	"Kulsæt ""M"" "	for identif. letter "M"
8	26775	1	"Kulsæt ""L"" "	for identif. letter "L"
8	49625	1	"Kulsæt ""C"" "	for identif. letter "C"
9	107402627	1	MOTOR BEARING RING SET EC	for identif. letter "C"
9	29205	1	SEAL	for identif. letter "L" + "M"
10	62200	1	Låg	
11	60636	1	Pakning F. Låg	
12	5697	1	STRAP 3X8X33	

Cover, switch box

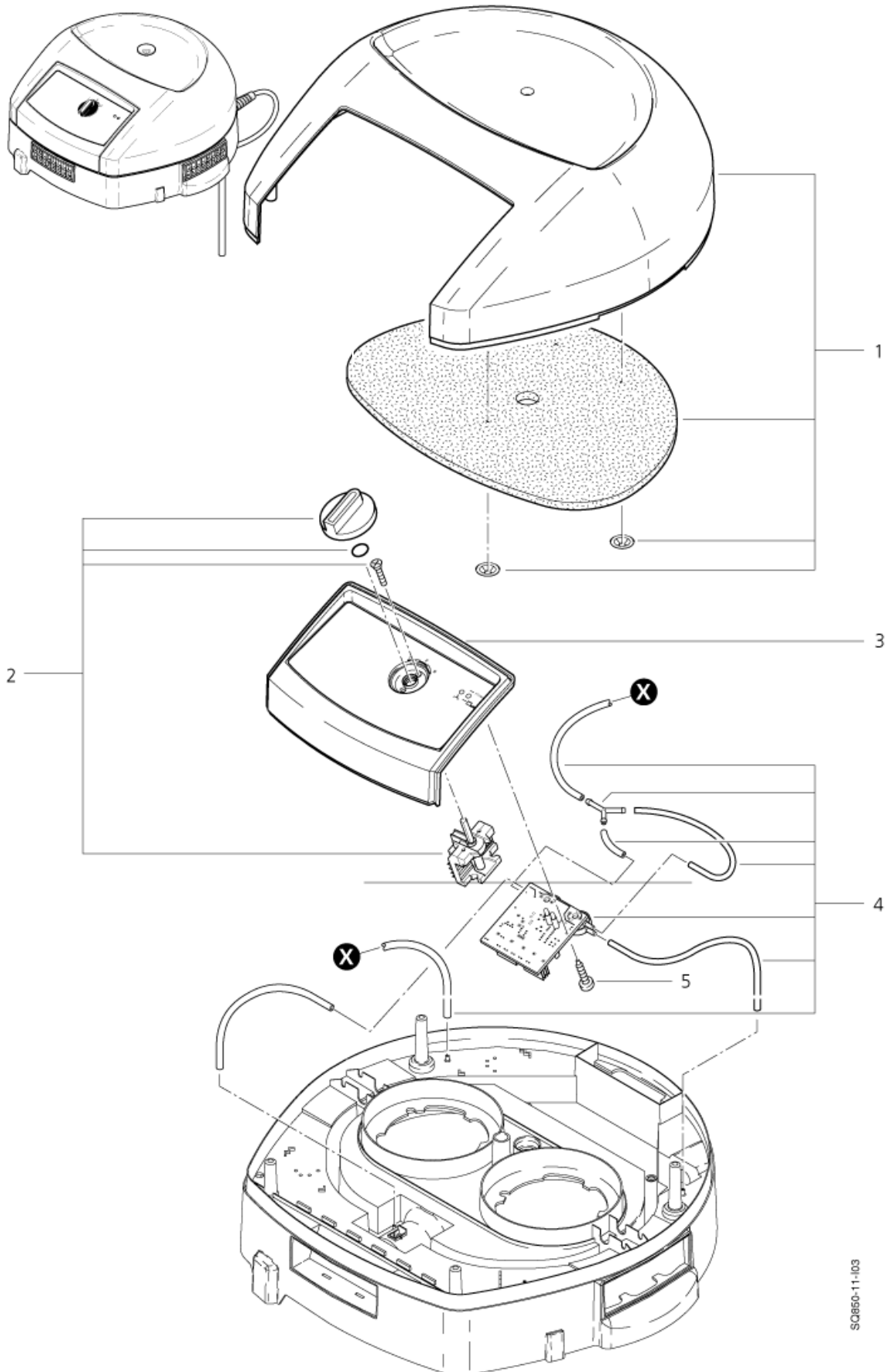
SQ 850-11, SQ 23 GALLON

08-06-2013

StyMiste ID

SQ85003

7



Cover, switch box

SQ 850-11, SQ 23 GALLON

08-06-2013

StyMiste ID SQ85003

8

Pos	Vare nr.	Ant	Beskrivelse	
1	62008	1	COVER	
2	62009	1	Kontakt Sq 850	
3	65215	1	SWITCH BOX	LABEL IS INCLUDED
3	65231	1	Label	
4	62006	1	Print 230V F. Sq850-11	230V
4	62146	1	MOTION MOTOR 110V SQ8	110V
5	4036	1	Skrue 2,9X9,5	

Cleaning set, filter

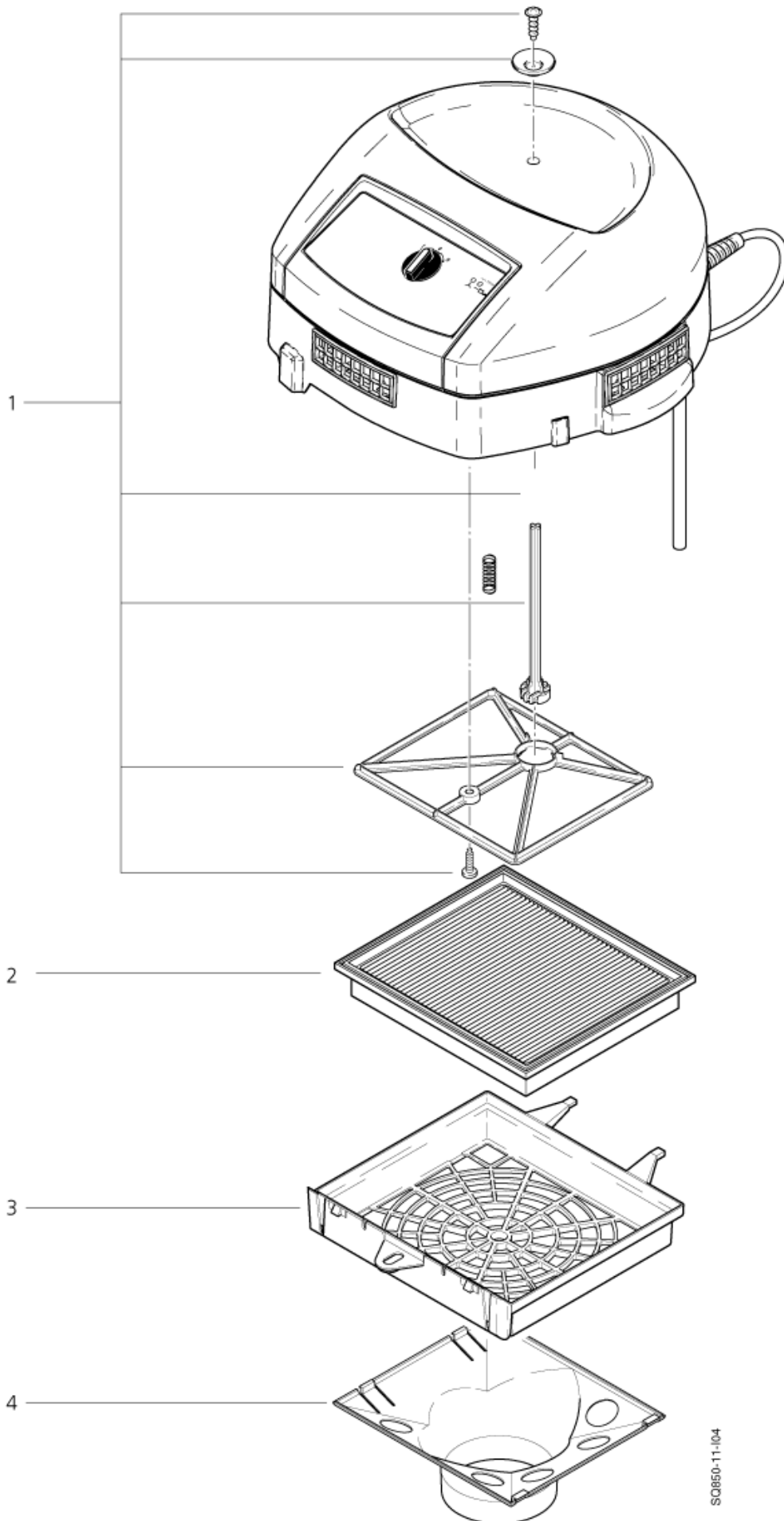
SQ 850-11, SQ 23 GALLON

08-06-2013

StyMiste ID

SQ85004

9



SQ850-11-104

Cleaning set, filter

SQ 850-11, SQ 23 GALLON

08-06-2013

StyMiste ID

SQ85004

10

Pos	Vare nr.	Ant	Beskrivelse
1	62004	1	Filter-Ryster Sæt Sq 850
2	61605	1	Filterelement Sq 850-11
3	107402624	1	Filterbakke
4	107402625	1	Funnel Kit

CHASSIS

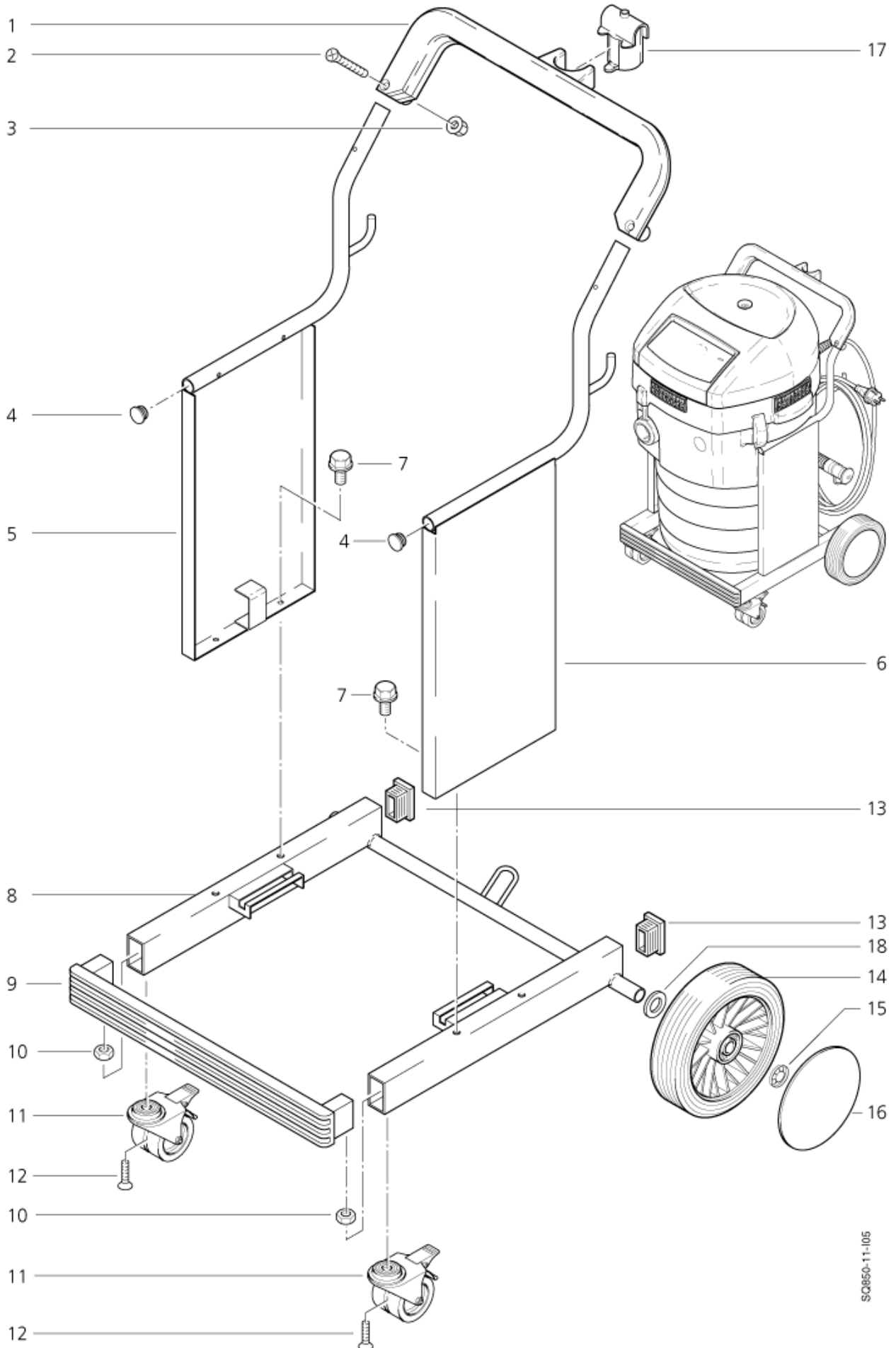
SQ 850-11, SQ 23 GALLON

08-06-2013

StyMiste ID

SQ85005

11



SQ850-11-105

CHASSIS

SQ 850-11, SQ 23 GALLON

08-06-2013

StyMiste ID
SQ85005

12

Pos	Vare nr.	Ant	Beskrivelse
1	46134	1	Håndtag Sq 650-850
2	17737	1	Skrue M6X40
3	12496	1	Møtrik M6
4	60767	1	PLUG
5	65219	1	BUMPER SQ8 WAP TECHN
6	65221	1	BUMPER SQ8 WAP TECHN
7		1	HEXAGON HEAD CAP SCREW SCREW M 6X 12
8	302000172	1	Frame
9	46301	1	Frontramme
10		1	HEXAGON NUT M8 NUT 6KT- M8 934 ZN
11	107402636	1	Steerable Wheel D75X2X25 Kit
12	30738	1	Skrue
13	7895	1	Prop F. Stel
14	302000173	1	Hjul
15	47302	1	Låseskive
16	65213	1	Nav kapsel Sq
17	60879	1	Adapter F. Tilbehør
18		1	Skive 21X3 SCREW 21 X3,0 B 125 ZN

Container, filter bag, accessories

SQ 850-11, SQ 23 GALLON

08-06-2013

StyMiste ID
SQ85006

14

Pos	Vare nr.	Ant	Beskrivelse	
1	61603	1	Filterpose M, 5 Stk.Sq 8	
2	107402626	1	Filterstøttepose	
3	62005	1	Container	
3	65217	1	Beholder	RAW CONTAINER WITHOUT PARTS
4	3092	1	Pakning 4.3X0.8	SCREW 4,3X0,8 A 125 ZN
5	46248	1	SCREW EJOT- KA35X18 WN	
6	2763	1	Washer 5,3X1	WASHER 5,3X1,0 A 125 ZN
7	7069	1	BLIND RIVET	
8	60878	1	Studs F. Beholder	
9	15889	1	Nitte 4,0X16X8	
10	19880	1	Snaplås Sq 550-11	
11	61210	1	Aftapningsslange Sq 850	
12	15358	1	Sugeslange 4M Ø50	SQ 23 GALLON
13	15101	1	Muffe Ø50	SQ 23 GALLON
14	15546	1	Forlængerrør RF, 2 Stk, Ø36 500mm	SQ 23 GALLON
15	5147	1	Gulvmundstykke Alu. 330mm Ø36	SQ 23 GALLON
16	7102	1	Fugemundstykke, Plast Ø50	SQ 23 GALLON
17	7868	1	Fugemundstykke Gummi Rund	SQ 23 GALLON
18	15341	1	Rørbøjning Krom Ø50/Ø36	SQ 23 GALLON
19	14665	1	CONICAL NIPPLE	
20	6878	1	LENS HEAD COUNTERS. SCREW	