

CENTIX 20 CENTIX 40 CENTIX 50 PREMIUM

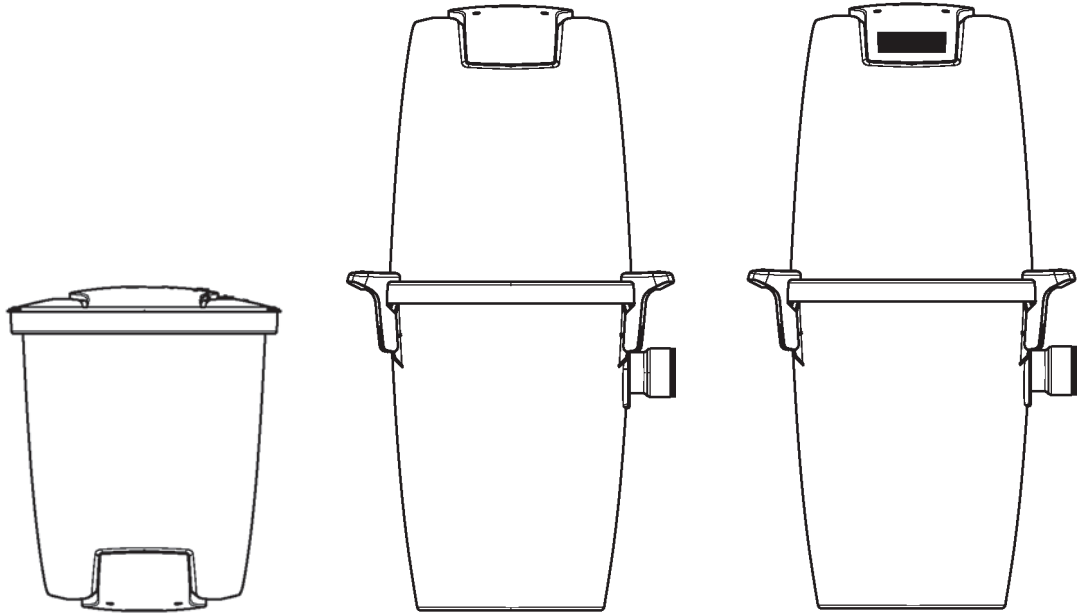


**Nilfisk
ALTO**
Why Compromise

Spare parts
Ersatzteile
Pièces détachées
Reservedele

**Wap
KEW**

TECHNOLOGIES

SPARE PARTS LIST**CENTIX 20, CENTIX 40, CENTIX 50 Premium
CENTRAL VACUUM CLEANERS****1****DESCRIPTION****PLAN**

Centix 20 drawing

2

Centix 40 drawing

4

Centix 50 Premium drawing

6

Accessories

8

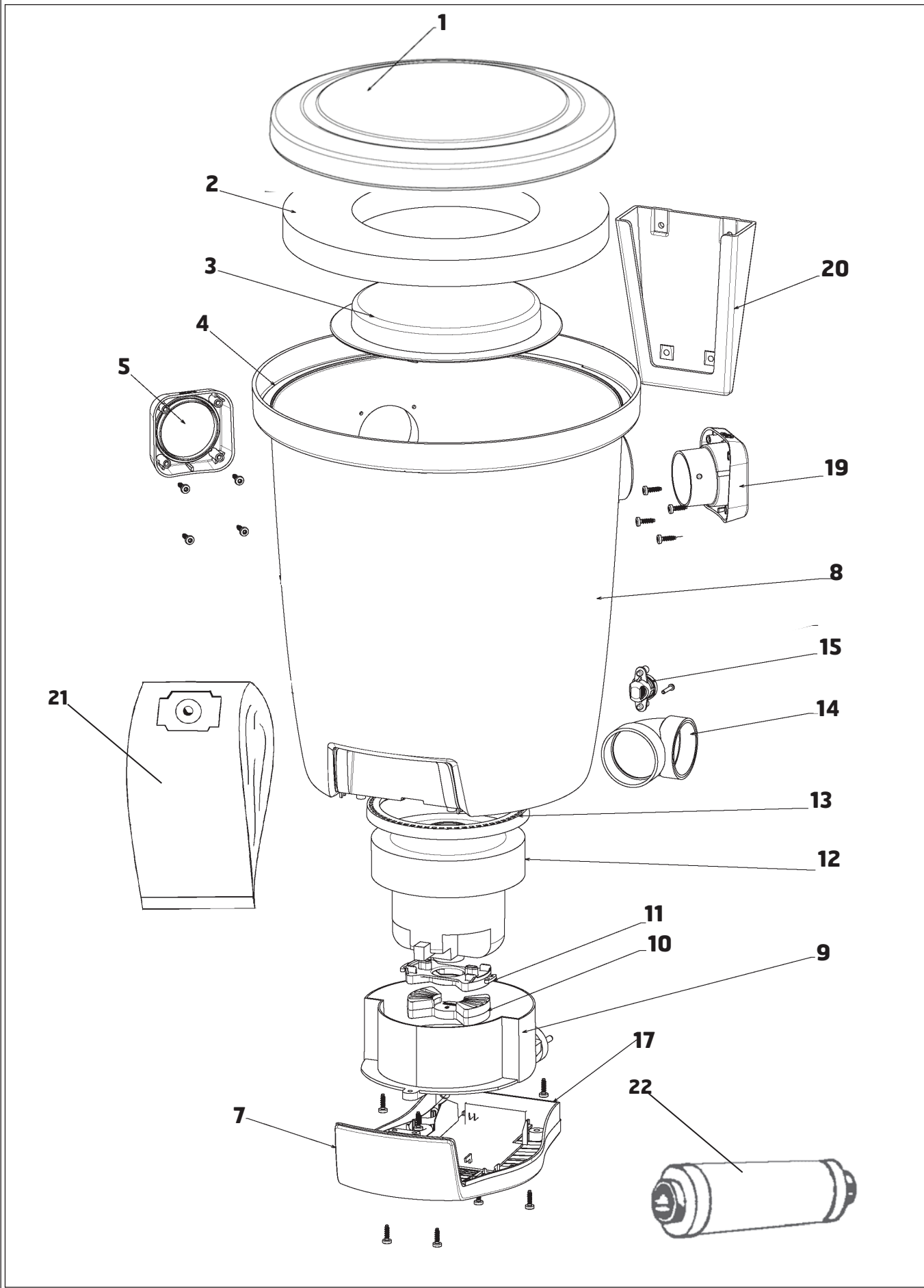
SPARE PARTS LIST

05-03

2

CENTIX 20

05-07



05-07	SPARE PARTS LIST			
05-12	CENTIX 20			3

Pos.nr	Part nr.	Qty.	Description	EAN-code
1	140 8505 010	1	Lid	7319519649000
2	140 8539 500	1	Filter	7319519650280
3	140 8537 000	1	IP cover	7319519635041
4	>> 140 0061 000	1	Gasket	7319519640076
5	140 8536 020	1	Plug	7319519648980
7	>> 140 8510 550	1	Cover motor cpl. with EU cord plug	7319519657036
8	140 8526 030	1	Chassis	7319519640113
9	140 8521 000	1	Noise trap	7319519635034
10	82258200	1	Damper	7319519614244
11	82320600	1	Adapter f fan unit	7319519614237
12	140 8624 010	1	Fan unit 220-240V 1300 W	7319519634884
13	140 8523 000	1	Gasket for motor	7319519634877
14	140 6734 000	1	Elbow 90 ° sharp	7319519400915
15	140 7779 010	1	Vacuum valve cpl.	7319519642483
17	140 6799 010	1	Gasket L=660 mm	7319519640045
19	140 8535 020	1	Inlet	7319519648997
20	140 8532 010	1	Bracket wall	7319519649024
21	147 0770 010	1	Dustbags 3-P.	7319519650259
22	>> 140 9124 000	1	Muffler, exhaust	7319519418163

>> Means: New or changed ref. number or/and changed/new specifications

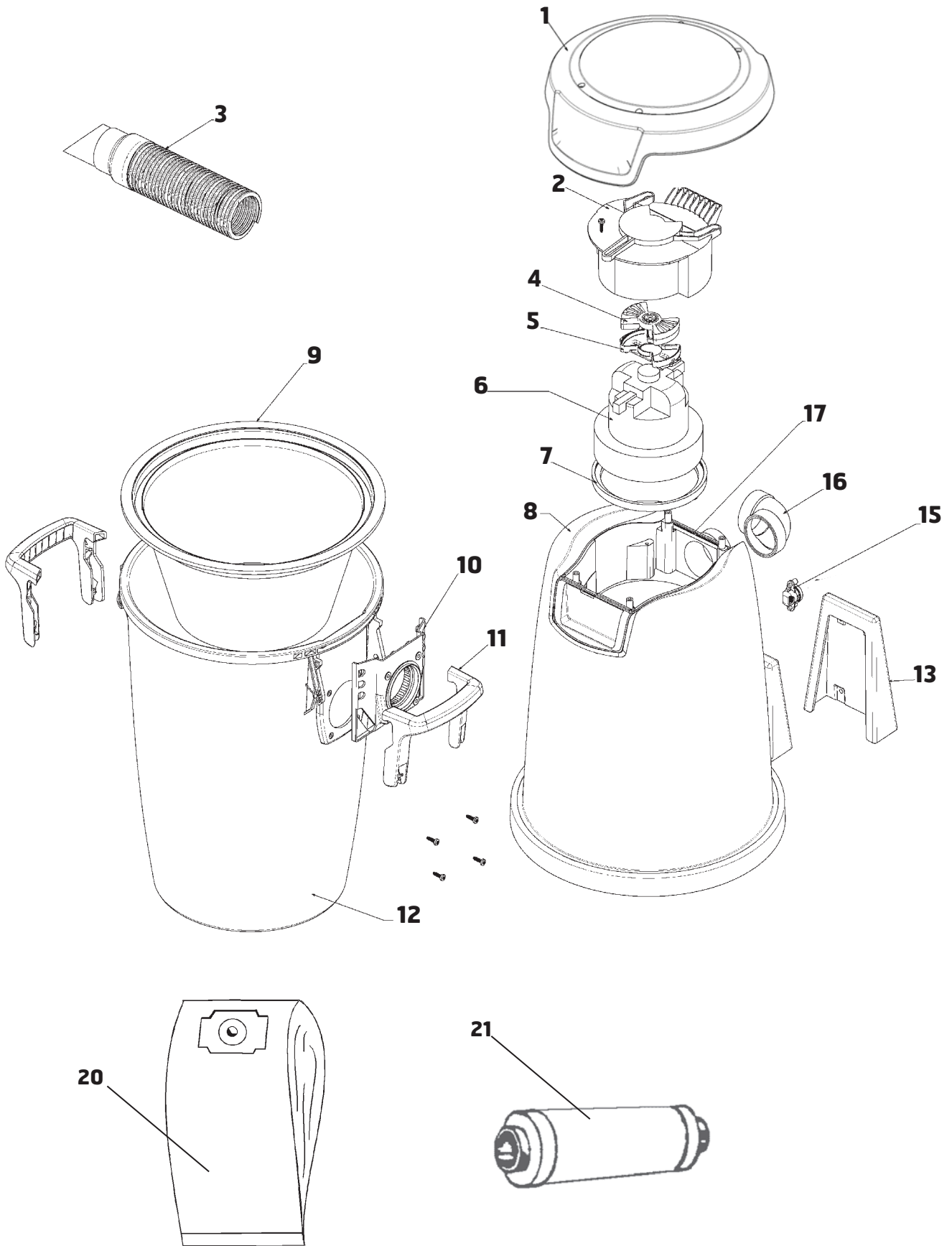
SPARE PARTS LIST

05-03

4

CENTIX 40

05-07



05-07	SPARE PARTS LIST			
05-12	CENTIX 40			5

Pos.nr	Part nr.	Qty.	Description	EAN-code
1	>> 140 8510 550	1	Cover motor cpl. with cord	7319519657036
2	140 8521 000	1	Noise trap	7319519640113
3	>> 140 8543 010	1	Hose cpl. 0.6 m with exhaust inlet	7319519641776
4	82258200	1	Damper	7319519614244
5	82320600	1	Adapter f fan unit	7319519614237
6	140 8624 020	1	Fan unit 220-240V 1600 W	7319519634891
7	140 8523 000	1	Gasket for motor	7319519634877
8	140 8501 060	1	Chassis	7319519648959
9	140 8514 500	1	Sack filter cpl.	7319519650297
10	140 8530 010	1	Dust bag holder	7319519641752
11	140 8503 020	1	Handle	7319519641660
12	140 8502 030	1	Container	7319519634907
13	140 8532 010	1	Bracket wall	7319519649024
15	140 7779 010	1	Vacuum valve cpl.	7319519642483
16	140 6734 000	1	Elbow 90 ° sharp	7319519400915
17	140 6799 010	1	Gasket 660 mm	7319519640045
20	>> 140 7765 050	1	Dustbags 3-P.	7319519618464
21	>> 140 9124 000	1	Muffler, exhaust	7319519418163

>> Means: New or changed ref. number or/and changed/new specifications

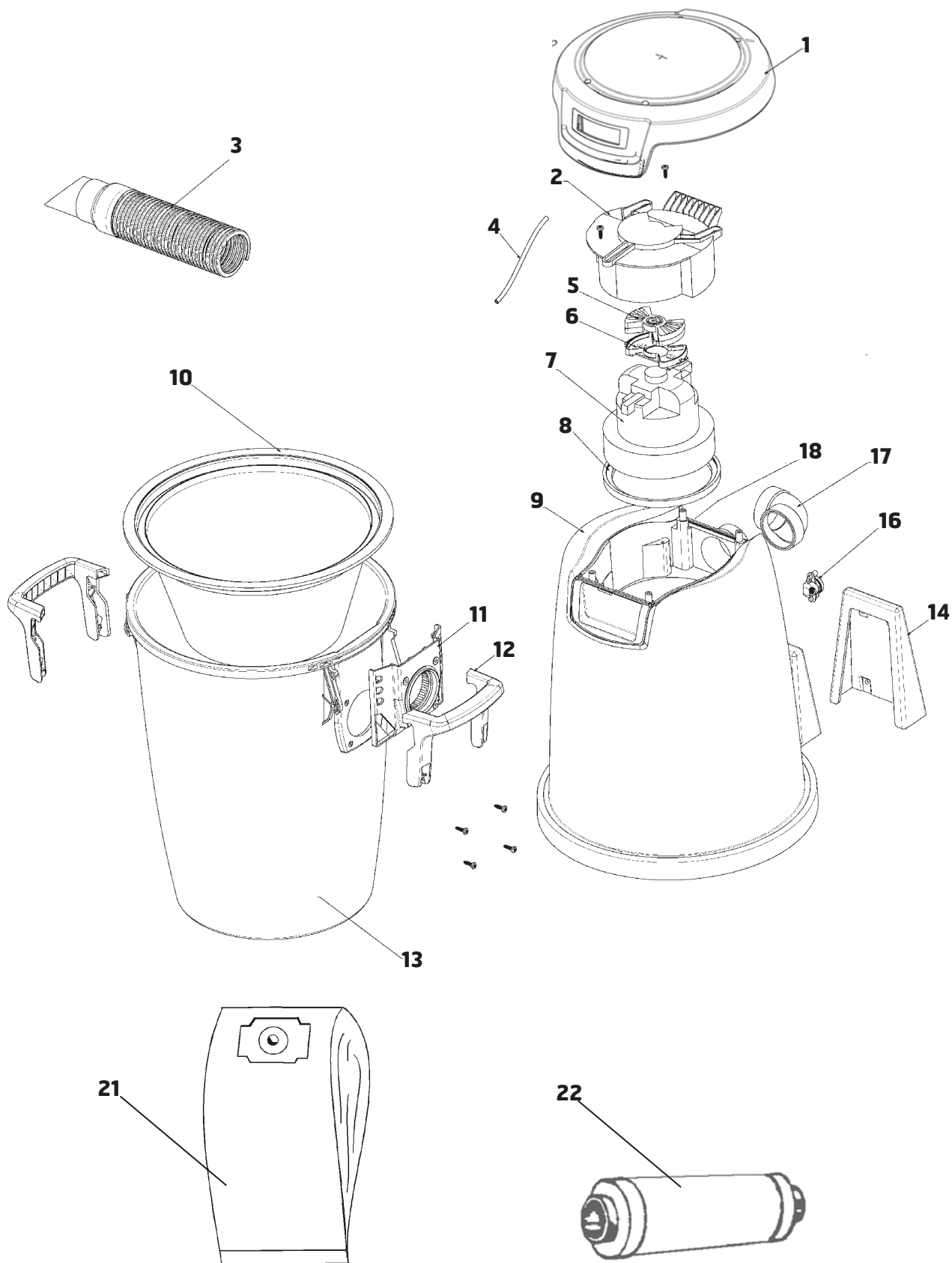
SPARE PARTS LIST

05-03

6

CENTIX 50 Premium

05-07



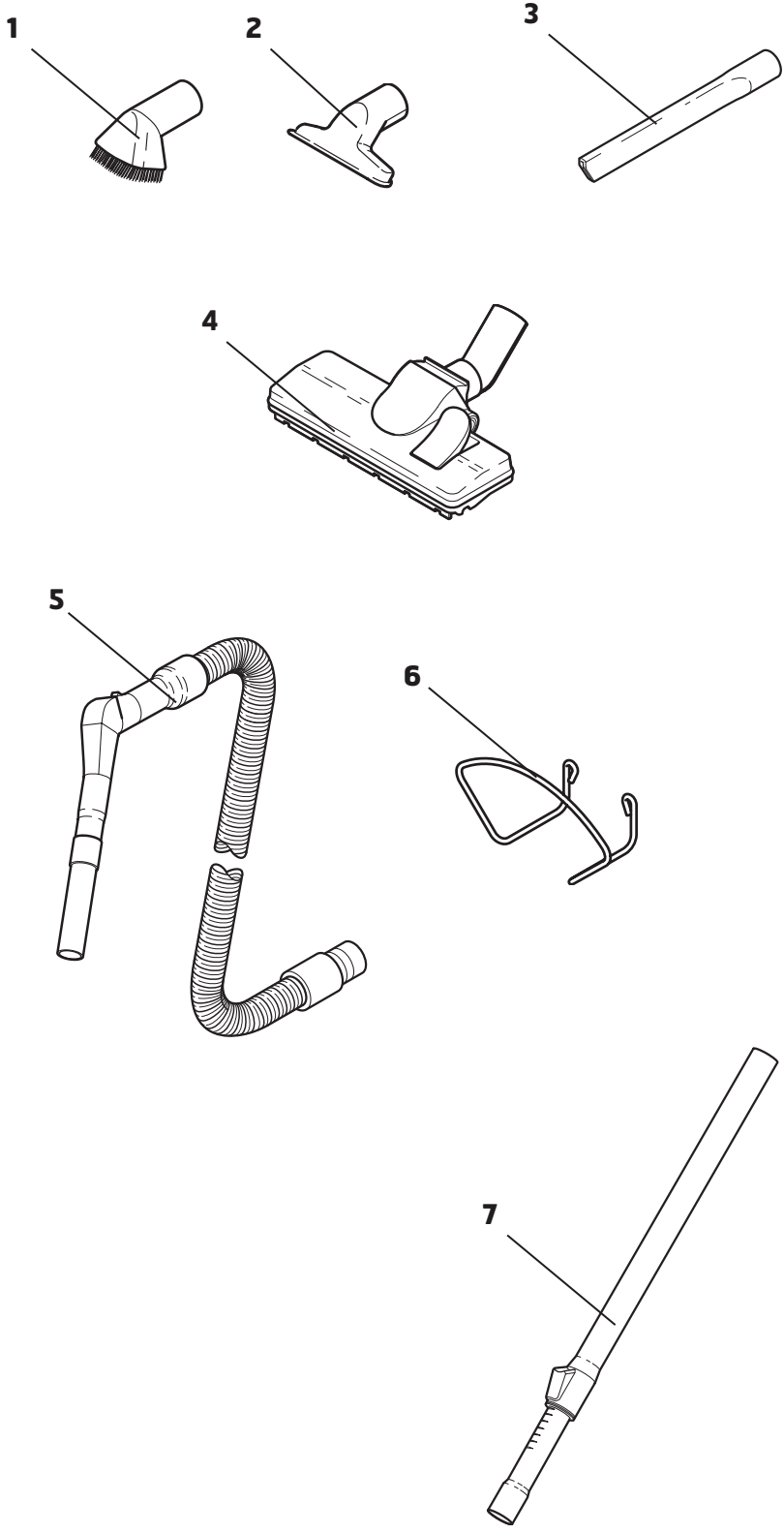
05-07	SPARE PARTS LIST			
05-10	CENTIX 50 Premium			7

Pos.nr	Part nr.	Qty.	Description	EAN-code
1	>> 140 8510 540	1	Cover motor cpl. PCB incl.	7319519657029
2	140 8521 000	1	Noise trap	7319519635034
3	>> 140 8543 010	1	Hose cpl. 0.6 m with exhaust inlet	7319519641776
4	140 5681 000	1	Hose 5x3x200 mm	7319519389036
5	82258200	1	Damper	7319519614244
6	82320600	1	Adapter for fan unit	7319519614237
7	140 8624 020	1	Fan unit 220-240V 1600 W	7319519634891
8	140 8523 000	1	Gasket for motor	7319519634877
9	140 8501 080	1	Chassis	7319519648942
10	140 8514 500	1	Sack filter cpl.	7319519650297
11	140 8530 010	1	Dust bag holder	7319519641769
12	140 8503 020	1	Handle	7319519641660
13	140 8502 030	1	Container	7319519648973
14	140 8532 010	1	Bracket wall	7319519649024
16	140 7779 010	1	Vacuum valve cpl.	7319519642483
17	140 6734 000	1	Elbow 90 ° sharp	7319519400915
18	140 6799 010	1	Gasket 660 mm	7319519640045
21	>> 140 7765 050	1	Dustbags 3-P.	7319519618464
22	>> 140 9124 000	1	Muffler, exhaust	7319519418163

>> Means: New or changed ref. number or/and changed/new specifications

8

ACCESSORIES



05-03**SPARE PARTS LIST
CENTIX 20, CENTIX 40, CENTIX 50 PREMIUM****ACCESSORIES****9**

Pos.nr	Part nr.	Qty.	Description
1	5146	1	Brush nozzle Ø 36x 70 mm
2	14295	1	Universal nozzle Ø 36x115 mm
3	29541	1	Crevice nozzle Ø 36x200 mm
4	302000962	1	Combi floor nozzle Ø 36x252 mm
5	302001207	1	Suction hose cpl. 9 m
5	302001209	1	Suction hose cpl. 9m with remote control
6	302001210	1	Support hose 200x140x100 mm
7	302001206	1	Telescopic suction tube, steel-chrome