

ATTIX 7 ED

Model:
ATTIX 763-21 ED
ATTIX 763-2M ED



Stykliste Dansk

22-01-2013

Indholdsfortegnelse

ATTIX 7 ED

Cabinet 763-21 ED	3
Cabinet, switch box 763-2M ED	5
Base, motor 763-21 ED	7
Base, motor 763-2M ED	9
Filter, cleaning system 763-21 ED	11
Filter, cleaning system 763-2M ED	13
Container 763-21 ED	15
Frame 761 & 763	17
Accessories 560, 761, 763	19
Accessories (H/M) 560, 761, 763	21

Cabinet 763-21 ED

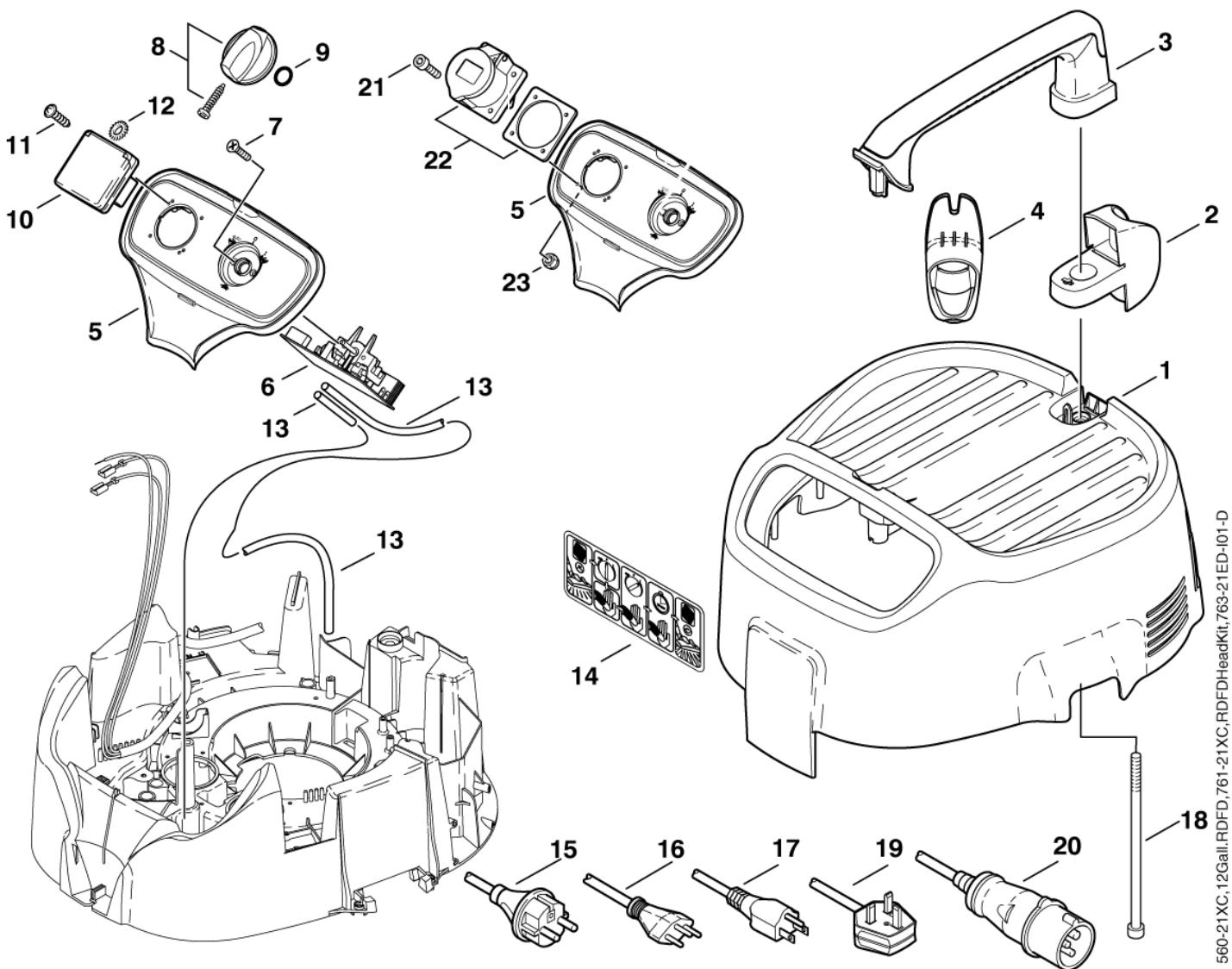
ATTIX 7 ED

22-01-2013

StyMiste ID
ATTIX7ED02

3

ATTIX 560-21 XC, 12 Gallon RDFD, RDFD Head Kit, 761-21 XC, 763-21 ED



560-21XC, 12Gall. RDFD, 761-21XC, RDFD HeadKit, 763-21ED-I01-D

Cabinet 763-21 ED

ATTIX 7 ED

22-01-2013

StyMiste ID
AI 11X/EDU2

4

Pos	Vare nr.	Ant	Beskrivelse	
1	107402652	1	Kabinet (Top)	
2	302000382	1	Rørholder	560-21XC, 12GALL.RDFD
3	107402650	1	Løftehåndtag	
4	302000380	1	Kabelholder	
5	302000757	1	Switch Box	
6	302000852	1	ELECTRONIC 120V SET1	100-120V
6	302000853	1	Print 230V Sæt	220-240V
7	18274	2	Skrue M4X12	
8	909100204	1	Drejeknap	
9	9868	1	O-Ring 10.0X2.5	
10	302000683	1	Stikdåse	*DK*
10	302004034	1	Stikdåse 16A/250V Eu	*EU*
10	302004336	1	SOCKET 13A/250V GB	*GB,230V*
10	302004337	1	SOCKET 10A/250V CH	*CH*
10	302004338	1	SOCKET 15A/125V US/CSA	*US*
11	11256	2	Skrue Ka3,5X18	
12	4021	2	SERRATED LOCK WASHER A4	*US*
13	11379	1	Hose Ø3X1,5	* SEE NOTE
14	302000824	1	Label	
15	107402641	1	Power Cord H05Rr-F 3G1.5X 8X2	*EU*
15	107402642	1	Elkabel	*DK*
16	107400267	1	Cord H05Rr-F 3G1.0 Ch	*CH*
17	302004332	1	POWER CORD US	*US*
18	909100084	2	Skrue M6	
19	107400270	1	CORD H05RR-F 3G1.5 BS1 363 GB	*GB,230V*
20	107400271	1	CORD H07BQ-F 3G2.5 GB	*GB,110V*
21	50598	4	SCREW M5X20	*GB,110V*
22	107402842	1	OUTLET 2P AND PE 16A 110V	*GB,110V*
23	7417	4	HEXAGON THIN NUT	*GB,110V*

indicate meter in 1,2,3..... w hen ordering

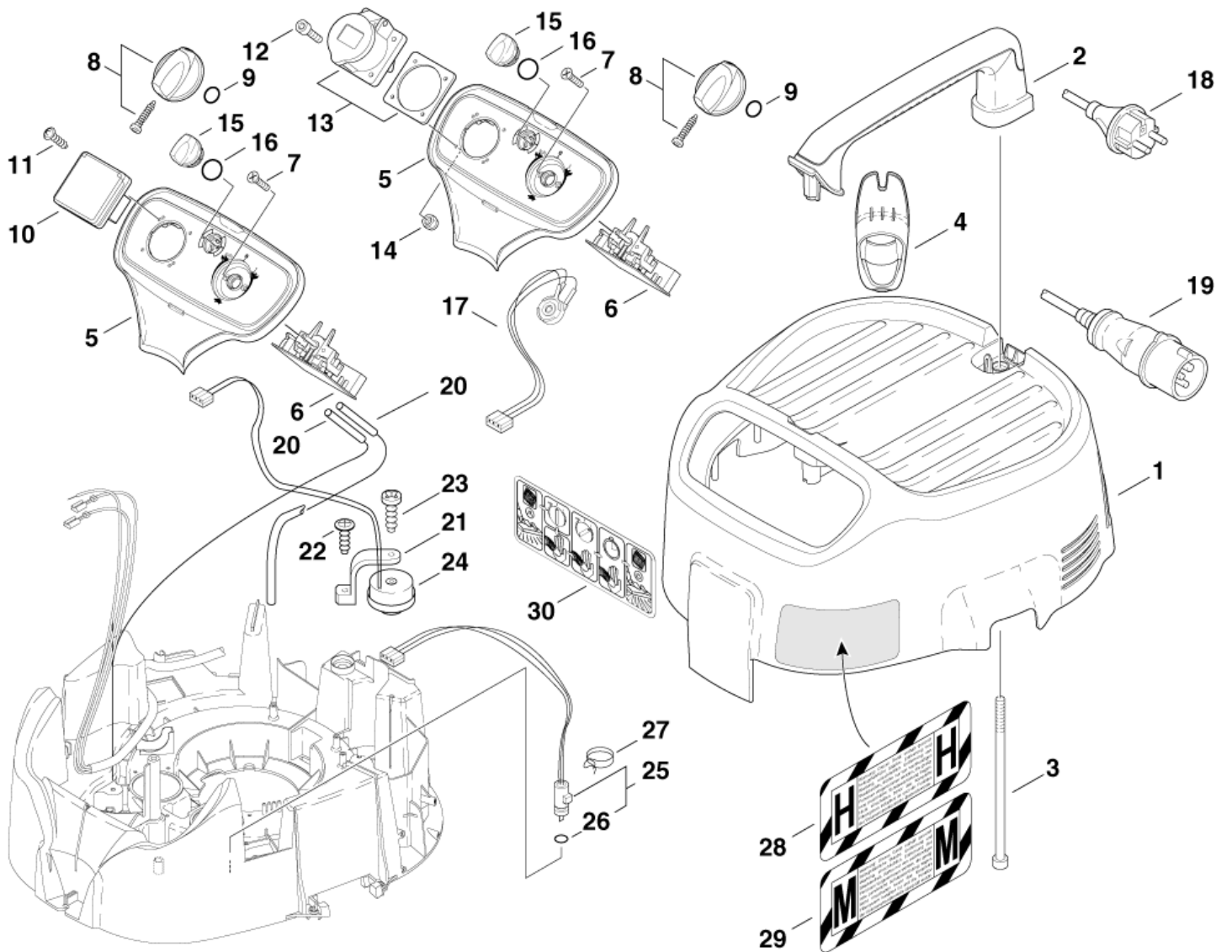
Cabinet, switch box 763-2M ED

ATTIX 7 ED

22-01-2013

StyMiste ID
ATTIX5602MED02

5



Cabinet, switch box 763-2M ED

ATTIX 7 ED

22-01-2013

StyMiste ID
A11IX56U2MEU02

6

Pos	Vare nr.	Ant	Beskrivelse	
1	107402652	1	Kabinet (Top)	
2	107402650	1	Løftehåndtag	
3	909100084	2	Skrue M6	
4	302000380	1	Kabelholder	
5	302001161	1	Switch Box Attix	
6	302001426	1	ELECTRONIC FLOW MEASUREMENT XC 110-120V	560-2HXC *GB,110V*
6	302001427	1	Electronic Flow Measureme Nt Xc 220-240	560-2MXC*EU*, 761-2MXC*EU*, 763 2M ED
7	18274	2	Skrue M4X12	
8	909100204	1	Drejeknap	
9	9868	1	O-Ring 10.0X2.5	
10	302004034	1	Stikdåse 16A/250V Eu	*EU*
11	11256	2	Skrue Ka3,5X18	
12	50598	4	SCREW M5X20	560-2HXC*GB,110V*
13	107402842	1	OUTLET 2P AND PE 16A 110V	560-2HXC*GB,110V*
14	7417	4	HEXAGON THIN NUT	560-2HXC*GB,110V*
15	107400575	1	TURNING KNOB FOR POTI - BLACK	
16	107400576	1	O-RING 21X1.5	
17	302000429	1	Electronic Potentiometer	
18	107402641	1	Power Cord H05Rr-F 3G1.5X 8X2	*EU*
18	107402642	1	Elkabel	DK
19	302000760	1	POWER CORD H07BQ-F3G1.5X	*GB,110V*
20	11379	1	Hose Ø3X1,5	
21	25871	1	BRACKET	
22	11254	1	SCREW 3.5X10 WN1411	
23	14418	1	SCREW 4.2X13 ISO 7049	
24	107400579	1	Piezo Buzzer	
25	302000428	1	Electronic Flowsens 9X6Mm	
26	55416	1	O-RING 4.0x1.5 NBR70	
27	107400578	1	HOSE CLAMP D10	
28	302001284	1	LABEL WARNING H	560-2HXC
29	302001285	1	LABEL WARNING M	560-2MXC, 761-2MXC
30	1801075	1	"Tætningsskive 3/8" Rg "	
30	302000824	1	Label	

Base, motor 763-21 ED

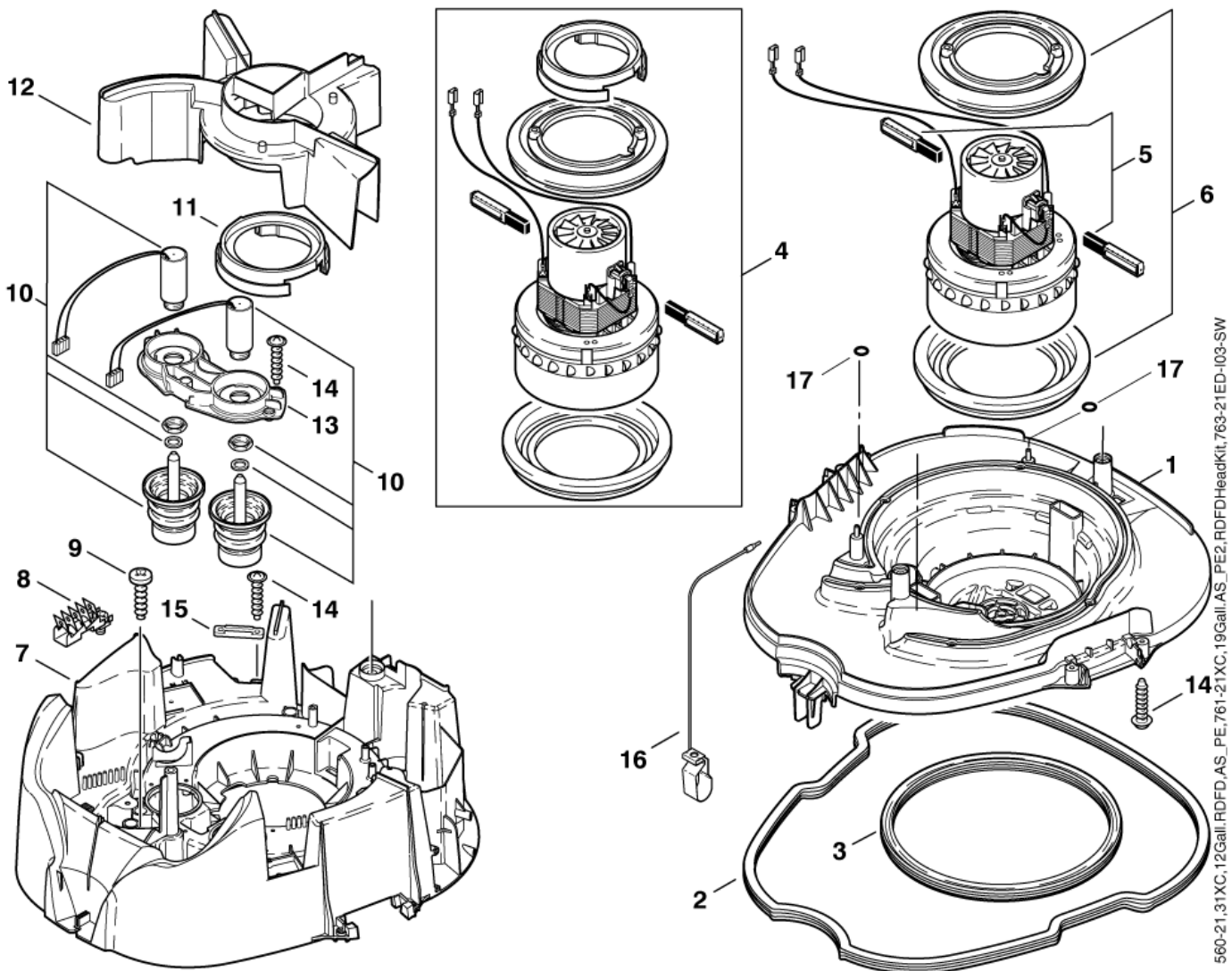
ATTIX 7 ED

22-01-2013

StyMiste ID
ATTIX7ED6006

7

ATTIX 560-21 XC, 560-31 XC, 12Gallon RDFD, 12Gallon AS/PE, RDFD Head Kit, 761-21 XC, 19Gallon AS/PE2, 763-21 ED



560-21,31XC,12Gall.RDFD,AS_PE,761-21XC,19Gall.AS_PE2,RDFD-HeadKit,763-21ED-103-SW

Base, motor 763-21 ED

ATTIX 7 ED

22-01-2013

StyMiste ID
A11IX7ED6006

8

Pos	Vare nr.	Ant	Beskrivelse	
1	302000511	1	Plade	
2	302000637	1	Tætning F. Beholder ATTIX	
3	302000697	1	Gasket Filter	
4	26784	1	Motor 120V 1200W	110-120V/1200W
4	49594	1	Motor 220V Sq	220-240V/1200W
4	62012	1	E-Motor 230V/1400 W	763-21 ED
5	26774	1	"Kulsæt ""M"" "	FOR IDENTIF.LETTER "M"
5	26775	1	"Kulsæt ""L"" "	FOR IDENTIF.LETTER "L"
5	49625	1	"Kulsæt ""C"" "	FOR IDENTIF.LETTER "C"
6	28875	1	"Motorpakningssæt ""L""+"M"" "	FOR IDENTIF.LETTER "L"+"M"
6	29205	1	SEAL	FOR IDENTIF.LETTER "L"+"M"
6	42538	1	"Motorpakningssæt ""C"" "	FOR IDENTIF. LETTER "C"
6	61167	1	MOTOR BEARING RING SET EC	FOR IDENTIF. LETTER "C"
7	107402639	1	Monteringsplade	
8	302000755	1	TERMINAL STRIP 6 FH63X08 16A	
9	909100138	6	Skrue	
10	107402635	2	Electromagnet 24V Kit	FOR 220-240V
10	302000217	2	ELECTROMAGNET 12V	FOR 100-120V
11	47036	1	Gummipakning	
12	302000373	1	Luf tfordeler ATTIX 5	
13	302000388	1	Frame 190X90X18 Pp	
14	11256	11	Skrue Ka3,5X18	
15	5697	1	STRAP 3X8X33	
16	302000823	1	CONTACT SPRING 41.8X14 AS BR	*GB,230V*
16	61174	1	Jordkabel	
17	62359	2	GASKET 9X4X1	

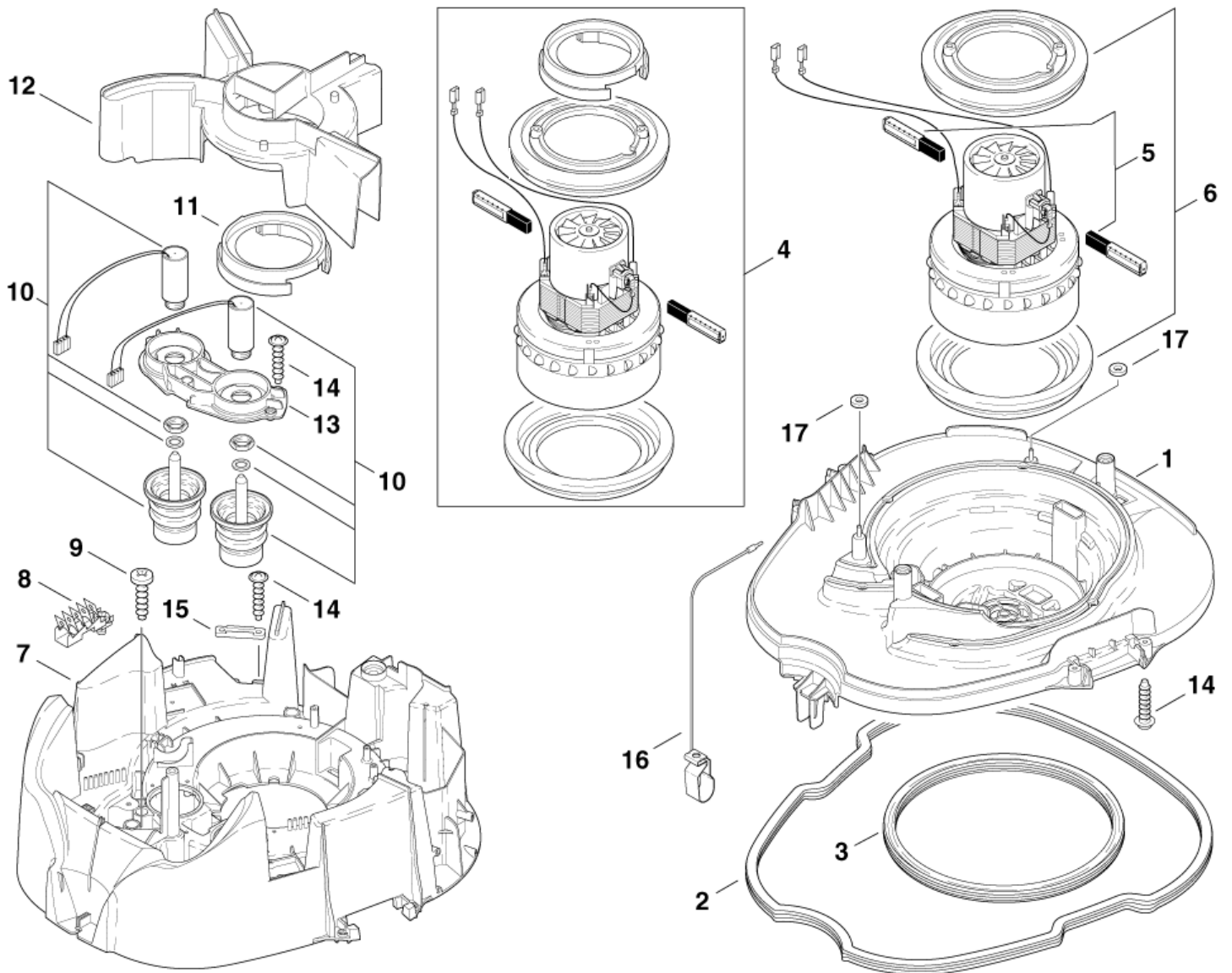
Base, motor 763-2M ED

ATTIX 7 ED

22-01-2013

StyMiste ID
ATTIX5602MED04

9



Base, motor 763-2M ED

ATTIX 7 ED

22-01-2013

StyMiste ID
A11IX56U2MEDU4

10

Pos	Vare nr.	Ant	Beskrivelse	
1	302000511	1	Plade	
2	302000637	1	Tætning F. Beholder ATTIX	
3	302000460	1	Tætning F. Filter Attix	
4	26784	1	Motor 120V 1200W	*GB,110V*
4	49594	1	Motor 220V Sq	*EU*
5	26774	1	"Kulsæt ""M"" "	FOR IDENTIF.LETTER "M"
5	26775	1	"Kulsæt ""L"" "	FOR IDENTIF.LETTER "L"
5	49625	1	"Kulsæt ""C"" "	FOR IDENTIF.LETTER "C"
6	28875	1	"Motorpakningssæt ""L""+"M"" "	FOR IDENTIF.LETTER "L"+"M"
6	42538	1	"Motorpakningssæt ""C"" "	FOR IDENTIF.LETTER "C"
7	302001657	1	SUPPORTING PLATE 56	
8	302000755	1	TERMINAL STRIP 6 FH63X08 16A	
9	909100138	8	Skrue	
10	107402635	2	Electromagnet 24V Kit	FOR 220-240V
10	302000217	2	ELECTROMAGNET 12V	FOR 100-120V
11	47036	1	Gummipakning	
12	302000373	1	Luftfordeler ATTIX 5	
13	302000388	1	Frame 190X90X18	Pp
14	11256	11	Skrue Ka3,5X18	
15	5697	1	STRAP 3X8X33	
16	61174	1	Jordkabel	
17	62359	2	GASKET 9X4X1	

Filter, cleaning system 763-21 ED

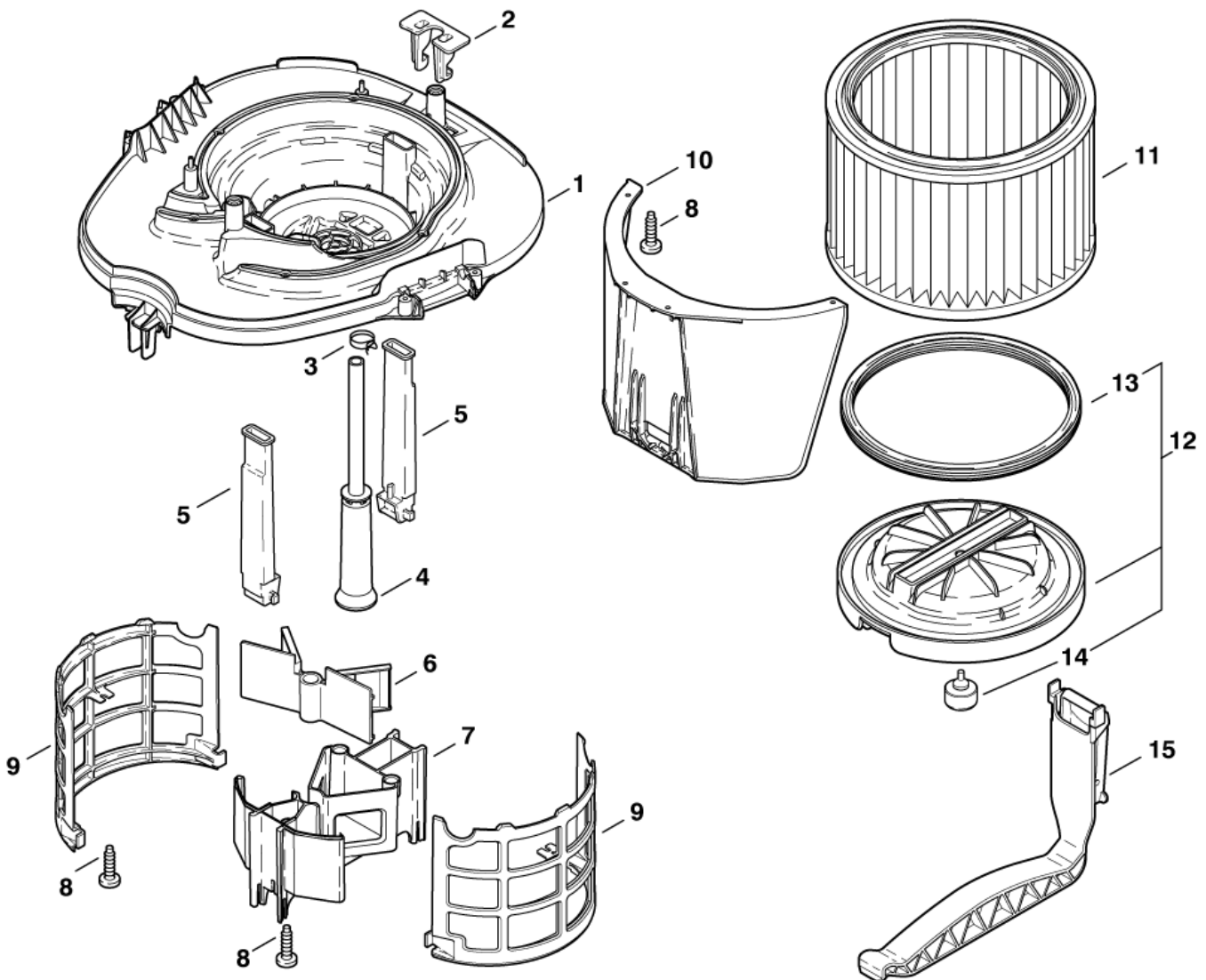
ATTIX 7 ED

22-01-2013

StyMiste ID
ATTIX7ED6008

11

ATTIX 560-21 XC, 560-31 XC, 12Gallon RFD, 12Gallon AS/PE, RFD Head Kit, 761-21 XC, 19Gallon AS/PE2, 763-21 ED



560-21,31XC,12Gall.RFD,AS_PE,761-21XC,19Gall.AS_PE2,RFDHeadKit,763-21ED-104-S

Filter, cleaning system 763-21 ED

ATTIX 7 ED

22-01-2013

StyMiste ID
A11IX7ED6008

12

Pos	Vare nr.	Ant	Beskrivelse
1	302000511	1	Plade
2	302000512	1	Krog F.Filterholder ATTIX
3	909100137	1	Band Clamp Fitting T19
4	302001473	1	Hose D40X396 * SEE NOTE
4	303000516	1	Slange ** SEE NOTE
5	302000514	2	Pakning
6	302000387	1	Flap
7	302000386	1	Luftkanal
8	909100138	9	Skrue
9	302000385	2	Filterhus
10	107402640	1	Deflector 318X180X212 Kit
11	302000751	1	Filterelement L+M Set
12	107402653	1	Bundplade F/Filter
13	302000697	1	Gasket Filter
14	302000515	1	Plug
15	107402651	1	Holder For Filter

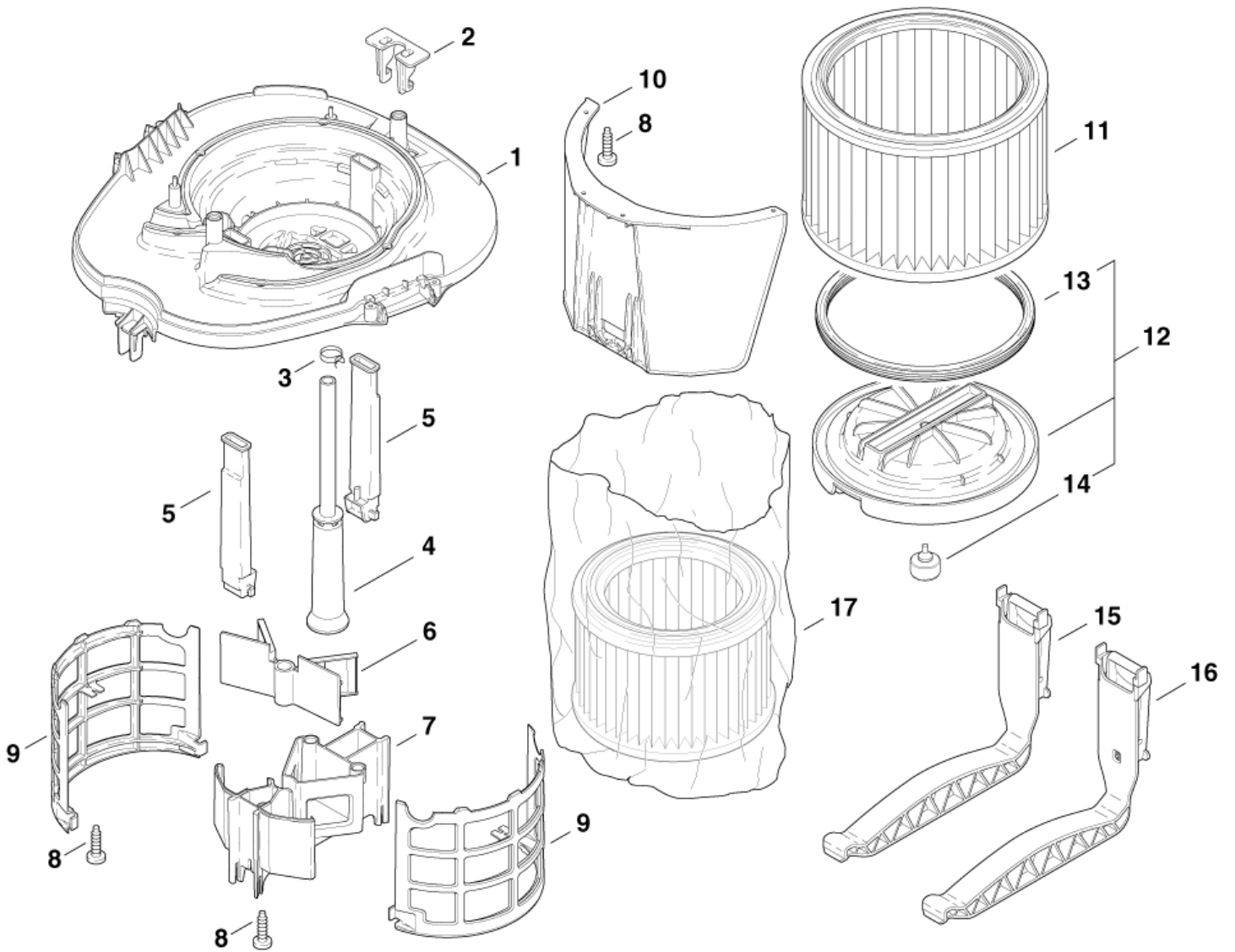
Filter, cleaning system 763-2M ED

ATTIX 7 ED

22-01-2013

StyMiste ID
ATTIX5602MED06

13



Filter, cleaning system 763-2M ED

ATTIX 7 ED

22-01-2013

StyMiste ID
A11IX56U2MEDU6

14

Pos	Vare nr.	Ant	Beskrivelse	
1	302000511	1	Plade	
2	302000512	1	Krog F.Filterholder ATTIX	
3	909100137	1	Band Clamp Fitting 19	
4	302001473	1	Hose D40X396	761-2MXC
4	303000516	1	Slange	560-2MXC, 560-2HXC,
5	302000514	2	Pakning	
6	302000387	1	Flap	
7	302000386	1	Luftkanal	
8	909100138	9	Skrue	
9	302000385	2	Filterhus	
10	107402640	1	Deflector 318X180X212 Kit	
11	107400564	1	Filter Element, H-Class	560-2HXC
11	302000751	1	Filterelement L+M Set	560-2MXC, 761-2MXC, 763-2M ED
12	107402653	1	Bundplade F/Filter	
13	302000697	1	Gasket Filter	
14	302000515	1	Plug	
15	107402651	1	Holder For Filter	560-2MXC, 761-2M XC, 763-2M ED
16	302001139	1	Holder For Filter	560-2HXC
17	30082	1	Filterbeskyttelse Pose Sæt -10X	560-2HXC

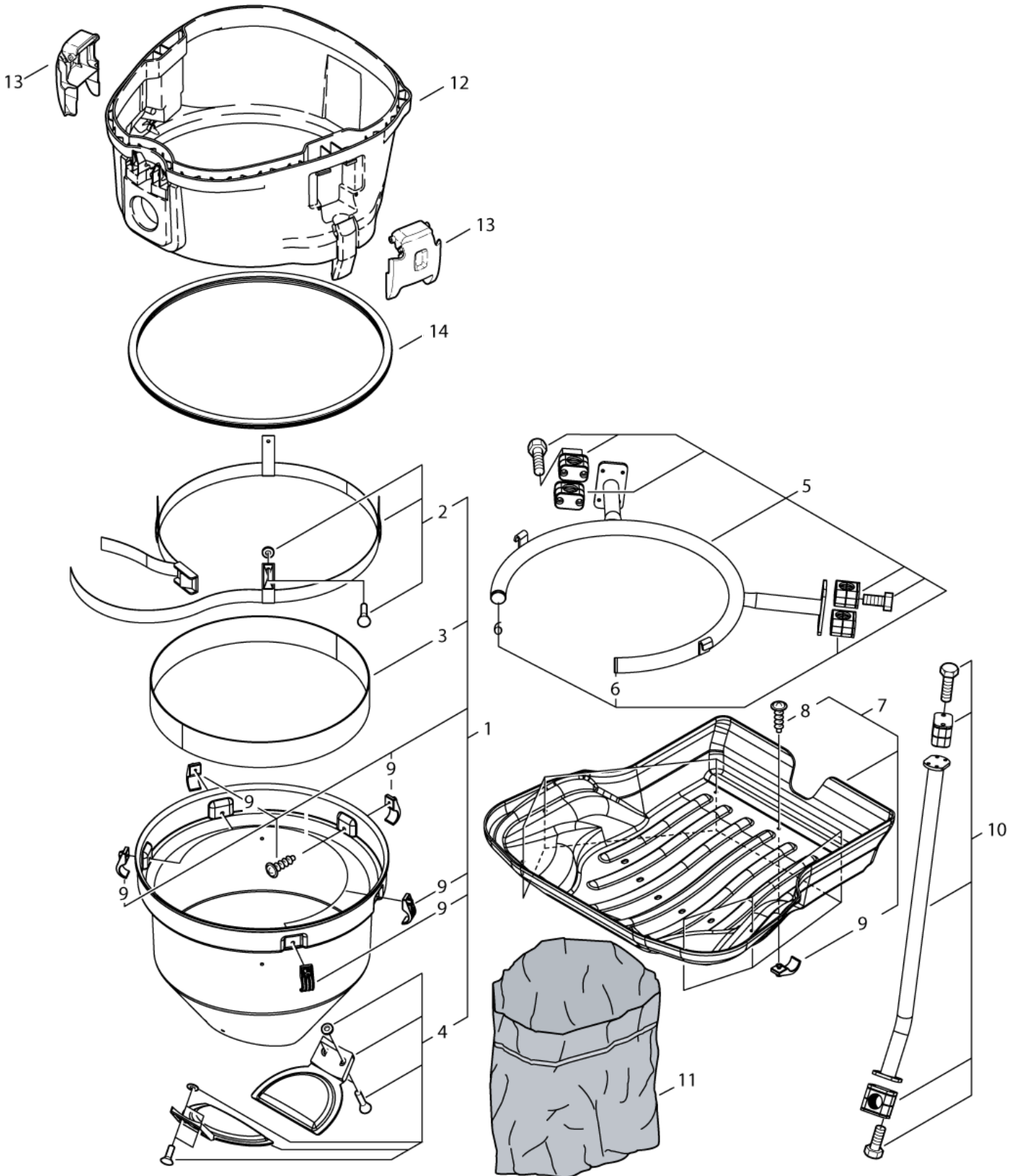
Container 763-21 ED

ATTIX 7 ED

22-01-2013

StyMiste ID
ATTIX56018

15



Container 763-21 ED

ATTIX 7 ED

22-01-2013

StyMiste ID
A11IX56018

16

Pos	Vare nr.	Ant	Beskrivelse
1	302002021	1	Container ATTIX 7
2	302002020	1	Spændebånd
3	302002001	1	Pakning 1115X50X2,5
4	302002022	1	Flap
5	302002023	1	SUPPORTING FRAME
6	302002006	1	PLUG D25
7	302002025	1	TROUGH 544X578X96
8	10028	1	Skrue
9	302001898	1	Screw Hook 50X17X20
10	302002024	1	FOOT 579X74X48
11	302001629	1	Opsamlingspose, 25Stk.
12	107400257	1	Mellemring
13	302000349	2	Lukkeclamp
14	302001432	1	Pakning Container

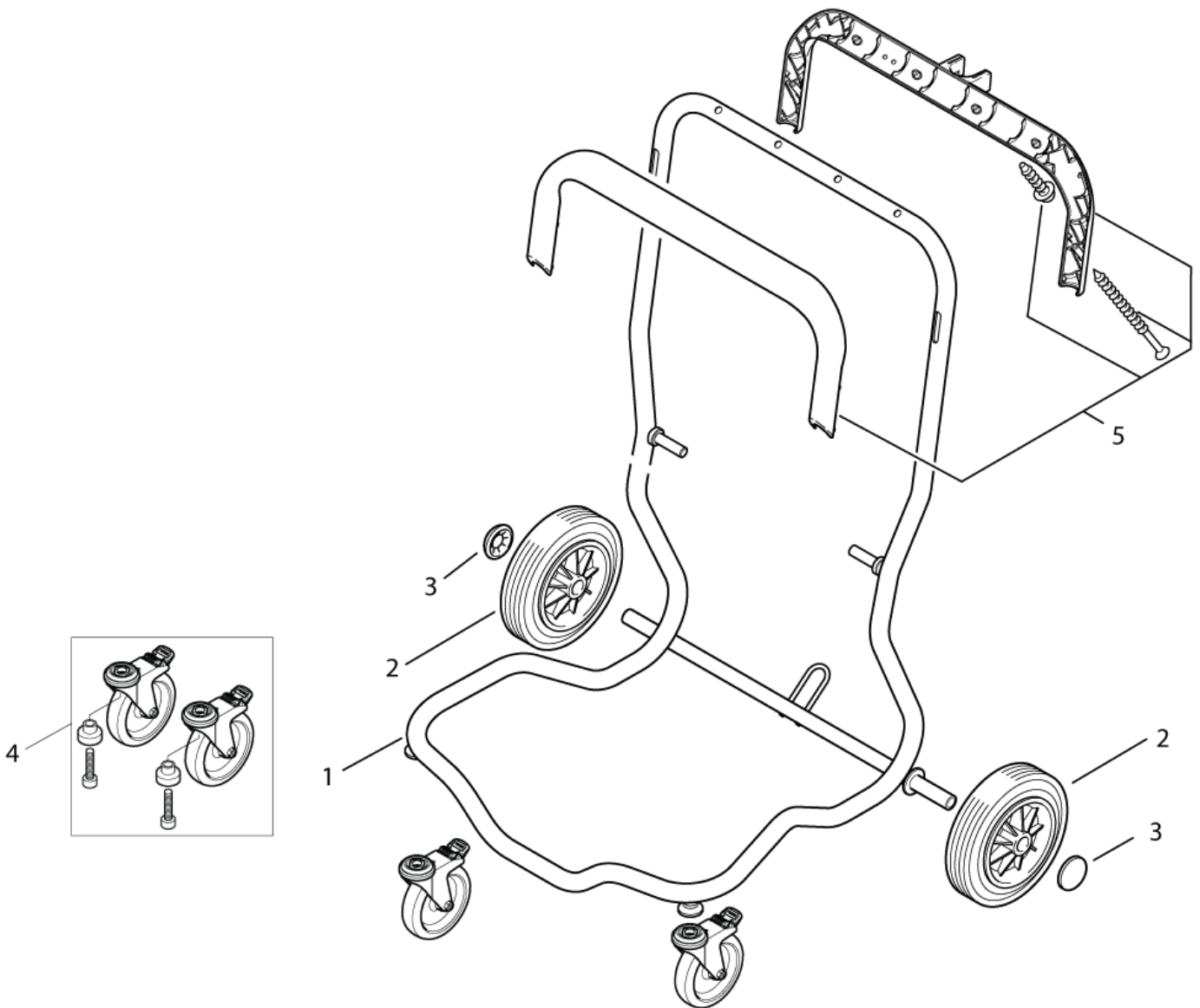
Frame 761 & 763

ATTIX 7 ED

22-01-2013

StyMiste ID
ATTIX5602HXC12

17



Frame 761 & 763

ATTIX 7 ED

22-01-2013

StyMiste ID
A11IX56UZHXC12

18

Pos	Vare nr.	Ant	Beskrivelse
1	302001437	1	Ramme
2	107401077	2	Hjul 200X50
3	3750	2	Lås Ø20
4	107401054	2	Hjulsæt F/ATTIX 7
5	302001706	1	Håndtak

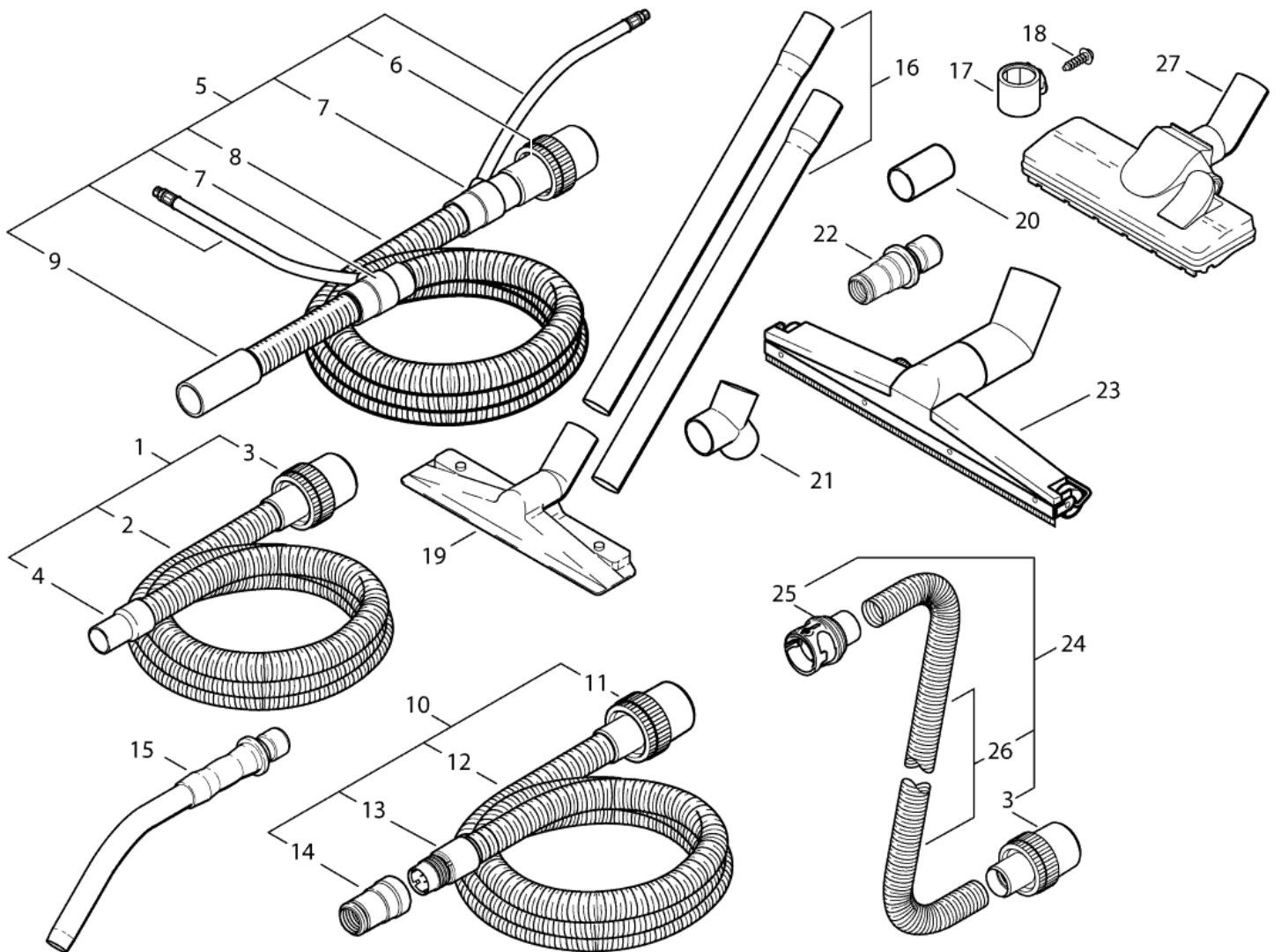
Accessories 560, 761, 763

ATTIX 7 ED

22-01-2013

StyMiste ID
ATTIX56016

19



Accessories 560, 761, 763

ATTIX 7 ED

22-01-2013

StyMiste ID
A11IX56016

20

Pos	Vare nr.	Ant	Beskrivelse
0	302000477	1	Kombimundstykke Ø36 260Mm
1	15805	1	Sugeslange Ø36, 3 Mtr.
2	11985	1	Sugeslange Ø 36 Pr Mtr * SEE NOTE
3	15102	1	Muffe F. Suger Ø36
4	11597	1	Muffe F. Rør
5	26601	1	COAXIAL SUCTION HOSE D32
6	30928	1	Adapt. Antistat Ø32
7	26309	1	HOSE SLEEVE DN32
8	43502	1	Slange Pr. Mtr. Ø 32Mm * SEE NOTE
9	60033	1	HOSE SLEVE 5304-1 DN32
10	15325	1	Sugeslange for gulvværktøj 3,5m Ø27
11	15369	1	Slangemuffe Antistat Ø27
12	15326	1	Sugeslange Ant. Ø27 Pr.M * SEE NOTE
13	63509	1	Gevindstykke
14	107404520	1	Adapter Ø27/36
15	302000528	1	Rørbøjning Krom Ø36
15	46691	1	Rørbøjning, Rf Stål Ø36
16	15546	1	Forlængerrør RF, 2 Stk, Ø36 500mm
16	302000529	1	Forlængerrør, krom Ø36 2x500mm
17	28546	1	Holder Floor-Nozzle
18	12400	1	Skrue
19	5147	1	Gulvmundstykke Alu. 330mm Ø36
20	15953	1	Direkte Tilslutn. Antist.
21	15331	1	Star Distr. Plast Antist.
22	302000535	1	Adaptor F. Værktøj
23	15348	1	Tørsugningsmundstykke 450mm Ø36
24	302001682	1	Sugeslange Ø36X5000 M. Koblinger
25	302001345	1	Koblingsmuffe Ø36
26	15312	1	Sugeslange Ant.Ø36 Pr.Mtr * SEE NOTE
27	302000477	1	Kombimundstykke Ø36 260Mm

* NOTE: PLEASE INDICATE LENGTHS IN METRES WHEN ORDERING

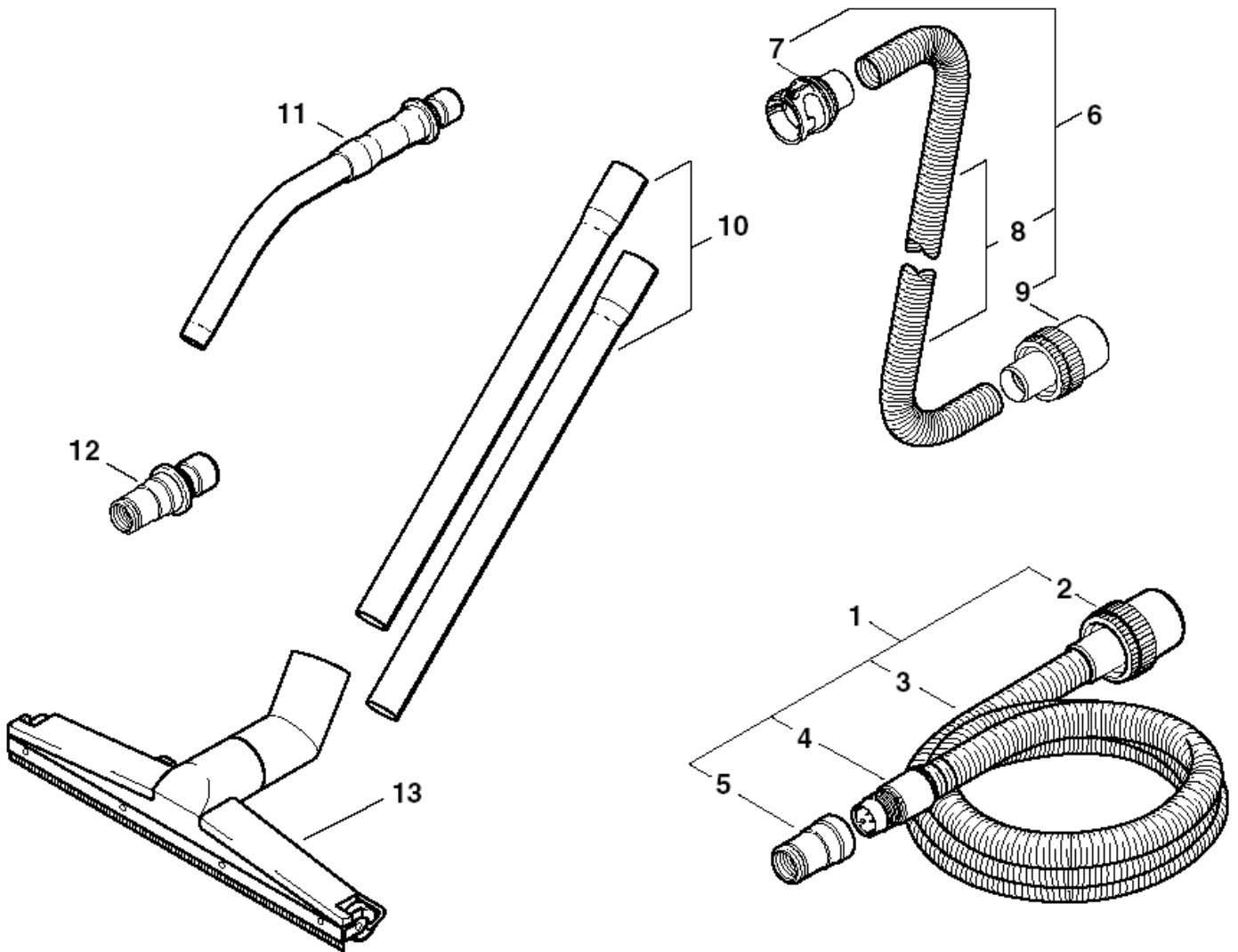
Accessories (H/M) 560, 761, 763

ATTIX 7 ED

22-01-2013

StyMiste ID
ATTIX5602MXC14

21



Accessories (H/M) 560, 761, 763

ATTIX 7 ED

22-01-2013

StyMiste ID
A11IX56U2MXC14

22

Pos	Vare nr.	Ant	Beskrivelse
1	15325	1	Sugeslange for gulv værktøj 3,5m Ø27
2	15369	1	Slangemuffe Antistat Ø27
3	15326	1	Sugeslange Ant. Ø27 Pr.M
4	63509	1	Gvindstykke
5	107404520	1	Adapter Ø27/36
6	302001682	1	Sugeslange Ø36X5000 M. Koblinger
7	302001345	1	Koblingsmuffe Ø36
8	15312	1	Sugeslange Ant.Ø36 Pr.Mtr
9	15102	1	Muffe F. Suger Ø36
10	15546	1	Forlængerrør RF, 2 Stk, Ø36 500mm
11	46691	1	Rørbøjning, Rf Stål Ø36
12	302000535	1	Adaptor F. Værktøj
13	15348	1	Tørsugningsmundstykke 450mm Ø36