

# NEPTUNE 8

---

Model:  
NEPTUNE 8-103



Stykliste Dansk

07-02-2013

**Nilfisk**  
**ALTO**  
works for you

[www.nilfisk-alto.com](http://www.nilfisk-alto.com)

# Indholdsfortegnelse

NEPTUNE 8

<b>Cabinet</b>	<b>3</b>
<b>RAMME</b>	<b>5</b>
<b>Fuel tank, detergent tank</b>	<b>7</b>
<b>Water break tank</b>	<b>9</b>
<b>Anti-scale pump</b>	<b>12</b>
<b>Control safety block (A)</b>	<b>14</b>
<b>Control safety block (B)</b>	<b>16</b>
<b>Pump</b>	<b>18</b>
<b>Pump, kits</b>	<b>20</b>
<b>Motor 01.05.2006=&gt;</b>	<b>22</b>
<b>Motor =&gt;30.04.2006 </b>	<b>24</b>
<b>Electric box (A)</b>	<b>26</b>
<b>Electric box (B)</b>	<b>28</b>
<b>Cover electric box</b>	<b>30</b>
<b>Burner unit</b>	<b>32</b>
<b>Heat exchanger</b>	<b>34</b>
<b>Distributor, ignition transformer</b>	<b>36</b>
<b>Air distributor Dec. 2010</b>	<b>38</b>
<b>Air distributor</b>	<b>40</b>
<b>Basket</b>	<b>42</b>
<b>Hose reel</b>	<b>44</b>
<b>Hose reel, cord reel</b>	<b>46</b>
<b>Service crane</b>	<b>48</b>
<b>Soft start</b>	<b>50</b>
<b>Remote control - accessory</b>	<b>52</b>
<b>Default accessories</b>	<b>54</b>
<b>Total check kits</b>	<b>56</b>
<b>ANBEFALEDE RESERVEDELE</b>	<b>58</b>

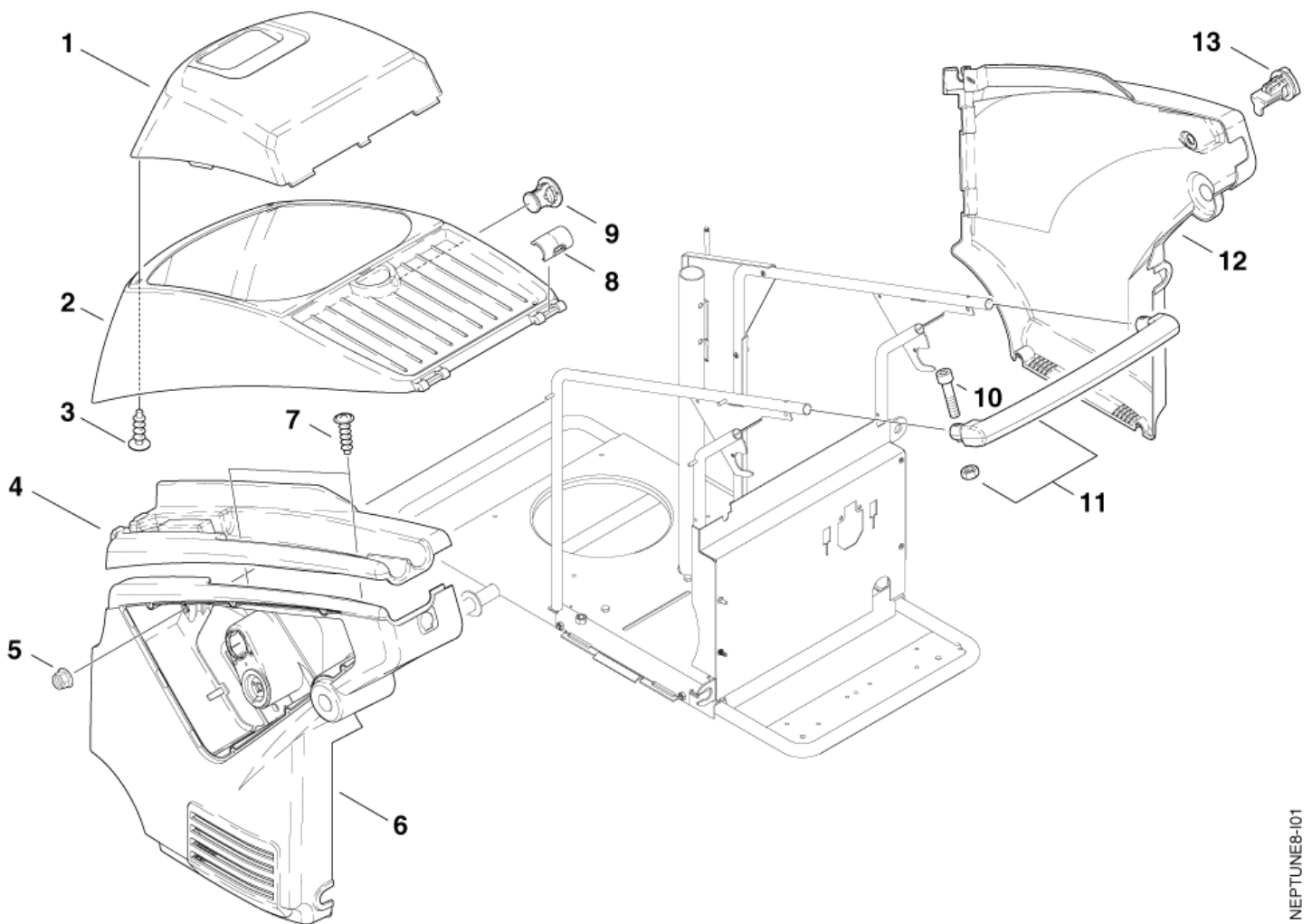
# Cabinet

NEPTUNE 8

07-02-2013

StyMiste ID  
NEPTUNE801

3



# Cabinet

## NEPTUNE 8

07-02-2013

StyMiste ID  
NEPTUNE801

4

Pos	Vare nr.	Ant	Beskrivelse	
1	301000453	1	"Cover (Black) ""NEPTUNE 7""	BLACK
2	301001796	1	Kabinet	BLUE
3	11254	2	SCREW 3.5X10 WN1411	
4	301000454	1	Lanse Holder	
5	12496	3	Møtrik M6	
6	301000455	1	Sidekabinet - Venstre	
7	1814614	2	Skrue K50X18 Wn1451 A2	
8	301000457	2	Clips For Topkabinet	
9	301000584	1	Lås For Topkabinet	
10	5945	2	Skrue	
11	301000447	1	Håndtag	
12	301000456	1	Sidekabinet - Højre	
13	301000585	1	Dørlås - Ø29X28	

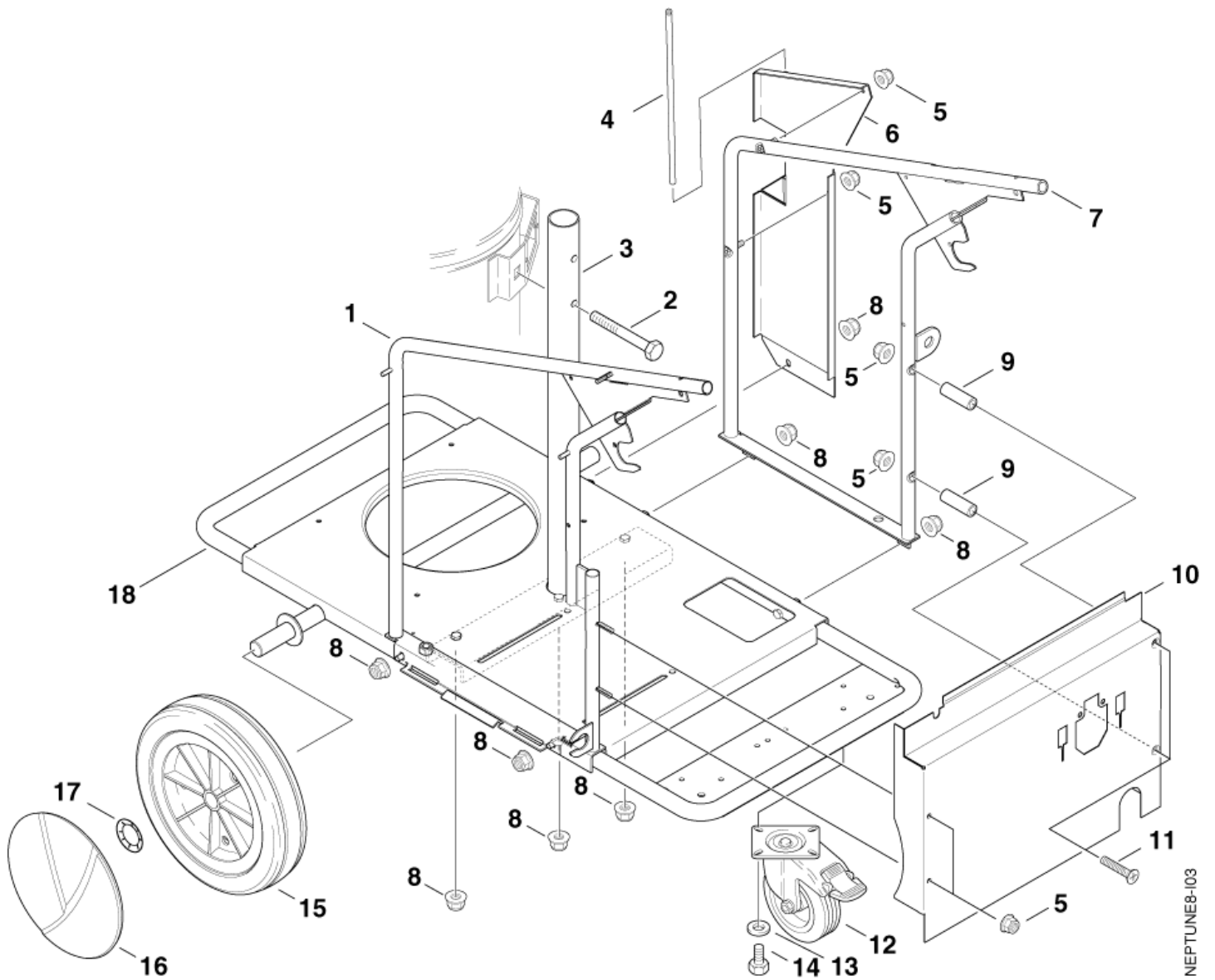
# RAMME

NEPTUNE 8

07-02-2013

StyMiste ID  
NEPTUNE803

5



NEPTUNE8-103

# RAMME

## NEPTUNE 8

07-02-2013

StyMiste ID  
NEPTUNE803

6

Pos	Vare nr.	Ant	Beskrivelse
1	301001570	1	TUBE FRAME LEFT
2	3453	1	SCREW M8X60
3	301000525	1	CENTRAL TUBE
4	301000706	1	BOLT D8X310
5	12496	6	Møtrik M6
6	301000521	1	HINGE PLATE
7	301000519	1	Sideramme - Højre
8	61467	8	Møtrik M8
9	301001794	2	DISTANCE PIECE 12X41.5
10	301001573	1	REAR WALL 487X375.2X59
11	909100359	2	COUNTERSUNK SCREW M6X70 ISO 7046 ST/ZN
12	301000554	2	Drejehjul
13	2762	8	Skive
14	5370	8	SCREW M8X10
15	6184074	2	Kørehjul
16	301001077	2	Hjulkappe
17	46363	2	Låsering
18	301001568	1	BASE FRAME



# Fuel tank, detergent tank

## NEPTUNE 8

07-02-2013

StyMiste ID  
NEPTUNE802

8

Pos	Vare nr.	Ant	Beskrivelse	
1	301000458	1	Tank Brændstof /Kemi	
2	107145440	1	Strainer Valve Compl. Kit	
3	3205	1	Filterventil	
4	5283	1	HOSE NOZZLE 6R3/8	
5	11654	1	Slangeklemme	
6	301000618	1	Pakning Ø32X20, 1	
7	101406100	1	Kemislange, 5 Meter	* SEE NOTE
8	301000620	3	Pakning Ø79,6Xø66X10	TSB-PPW-2013-001 301000620, 301001276
9	301000561	1	Dæksel	
10	18086	2	Metal Skrue	
11	6180906	1	Prop M. O-Ring	
12	301001048	1	Strainer	=>31.05.2005
13	17260	1	Brændstof Dæksel	=>31.05.2005
14	301000644	1	Brændstof måler	
15	61442	1	Forbindelsessty k	
16	17710	1	Rør	* SEE NOTE
17	5606	1	Metal Skrue	
18	301001196	1	Float Switch	
19	909100173	1	O-Ring	01.06.2005=>
20	301001292	1	Filter-Cup Ø98,8	01.06.2005=>
21	301000634	1	Dæksel	

\* NOTE: PLEASE INDICATE LENGTHS IN METRES WHEN ORDERING



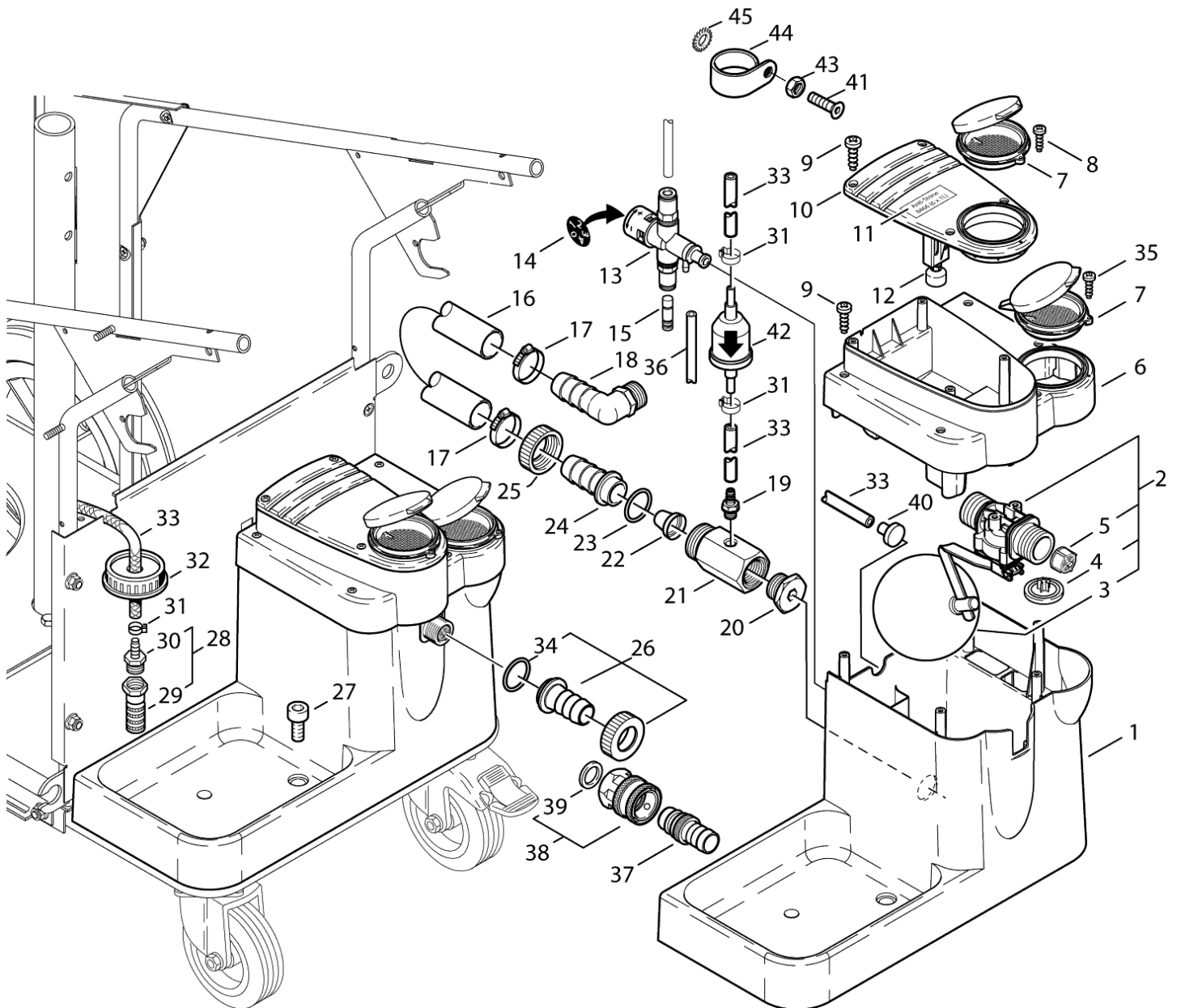
# Water break tank

NEPTUNE 8

07-02-2013

StyMiste ID  
NEPTUNE804

9



# Water break tank

## NEPTUNE 8

07-02-2013

StyMiste ID  
NEPTUNE804

10

Pos	Vare nr.	Ant	Beskrivelse	
1	301001762	1	Vandtank	
2	43127	1	Float Valve	
3	11418	1	Float Ball	
4	33999	1	MEMBRANE	
5	33998	1	Filter	
6	301000562	1	Anti Kalk Tank	
7	301000561	2	Dæksel	
8	5606	1	Metal Skrue	
9	56727	9	Ejop-Skrue	
10	301000560	1	Låg Anti Kalk Tank	
11	301000932	1	Label	
12	301000695	1	Niv eauf øler	
13		1	USE LINK	See STI-MPW 096_anti scale
14	301000915	1	Klæbeskilt	
15	301001180	1	Prop For Anti Kalk Ventil	=>31.03.2005]
16	5521	1	HOSE Ø 20X4	* SEE NOTE
17	23221	2	HOSE CLAMP 20-32	
18	11875	1	640E Nozzle Ø 19 R3/4	
19	301001392	1	Slange Dyse Ø8/M10X1	
20	301001761	1	TUBE FITTING M24X1.5X21 SW 32	CUZN
21	301001759	1	"Fitting 1"-M24X1,5X72 "	
22	107312039	1	Filter	
23	13571	1	O-RING D24X2.5	
24	301001760	1	HOSE NOZZLE 18X29	
25	6578	1	Union Nut G1X14,5	
26	61369	1	Slangestuds Ø20X3/4 Cuzn	
27	8892	2	Skrue	
28	107145440	1	Strainer Valve Compl. Kit	
29	3205	1	Filterventil	
30	5283	1	HOSE NOZZLE 6R3/8	
31	11654	3	Slangeklemme	
32	301001004	1	Canister Cover	Empty container 10L part 80518
33	101406100	1	Kemislange, 5 Meter	* SEE NOTE
34	46487	1	Packing Ring 21X29X2,5	
35	18086	1	Metal Skrue	
36	909100141	1	Slange	[01.04.2005=> * SEE NOTE
37	1605872	1	QUICK COUPLING NIPPLE	*US*
38	1602945	1	"Lynkobling 3/4" Lav tryk "	*US*
39	3001237	1	Pakning Ø24,5Xø16X3	*US*
40	6400240	1	Filter	[01.03.2006=> - =>30.09.2006]
41	18274	1	Skrue M4X12	
42	301002926	1	Filter	[01.10.2006=>
43	2759	1	Møtrik M8	

\* NOTE: PLEASE INDICATE LENGTHS IN METRES WHEN ORDERING

# Water break tank

NEPTUNE 8

07-02-2013

StyMiste ID  
NEPTUNE804

11

Pos	Vare nr.	Ant	Beskrivelse
44	101117705	1	HOLDER FOR FUEL FILTER
45	4021	1	SERRATED LOCK WASHER A4

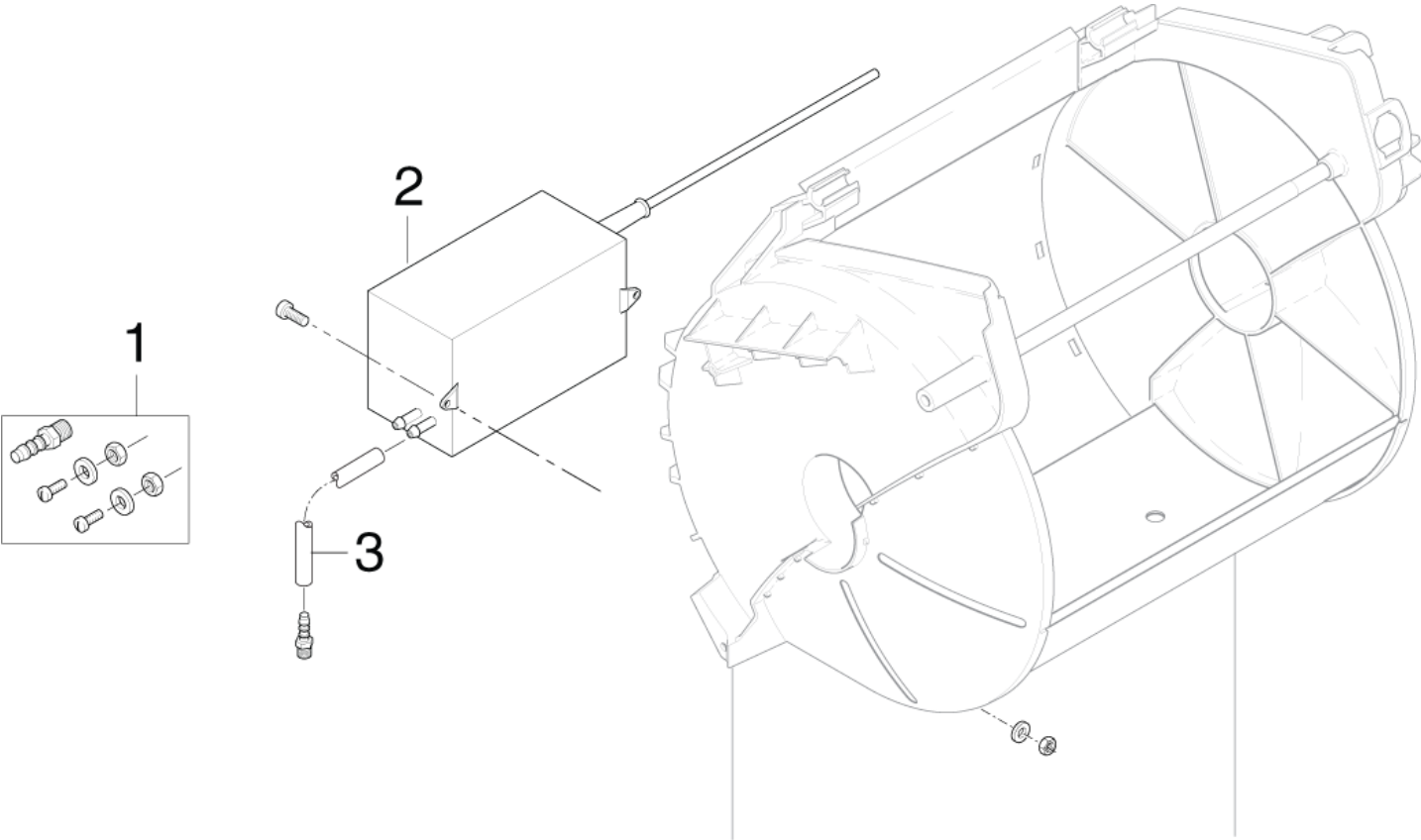
# Anti-scale pump

NEPTUNE 8

07-02-2013

StyMiste ID  
NEPTUNE282

12



# Anti-scale pump

## NEPTUNE 8

07-02-2013

Stykliste ID  
NEPTUNE282

13

Pos	Vare nr.	Ant	Beskrivelse
1	101117831	1	Monterings-Sæt
2	101117826	1	Blødgøringspumpe NEPTUNE 5
2	101117828	1	Antiscale Pump St-15 140M L 24V NEPTUNE 7 + 8
3	101117833	1	Slange Ø3/05, 0.6 Mm.

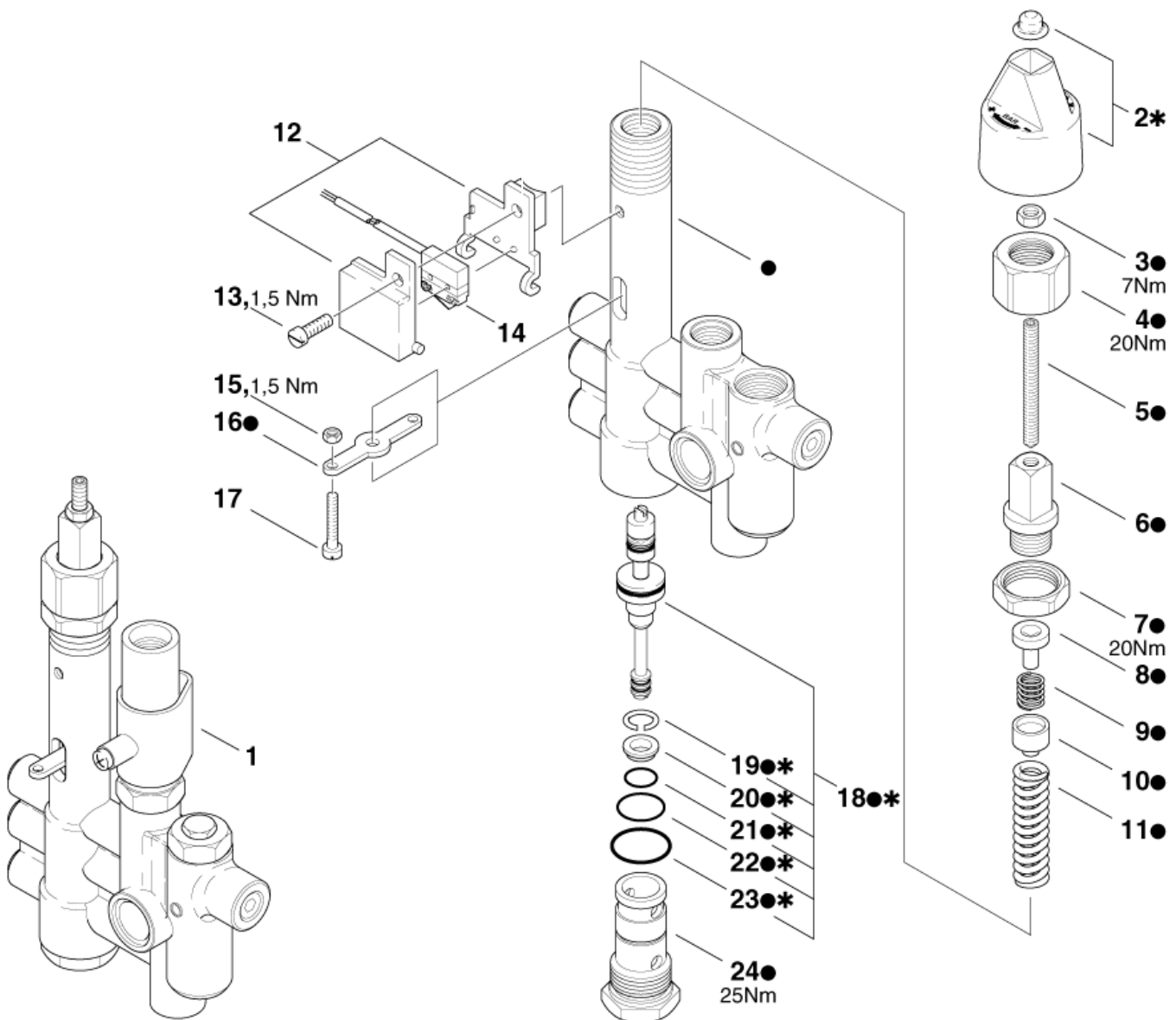
# Control safety block (A)

NEPTUNE 8

07-02-2013

StyMiste ID  
NEPTUNE805

14



# Control safety block (A)

NEPTUNE 8

07-02-2013

StyMiste ID  
NEPTUNE806

15

Pos	Vare nr.	Ant	Beskrivelse	
1	301001797	1	"Unloader Valve ""Nept. 8"" "	includes o
2	62397	1	Drejeknap	*
3	3136	1	Møtrik	o
4	62710	1	Omløber	o
5	62711	1	Gev indstift	o
6	62712	1	Justerskrue	o
7	62696	1	Møtrik	o
8	62695	1	Fjederstyr	o
9	62713	1	Fjeder	o
10	62694	1	Sæde	o
11	40972	1	Fjeder	o
12	62401	1	Hus F. Micro Switch	
13	3349	1	Skrue	
14	301000731	1	Mikrokontakt	
15	2759	1	Møtrik M8	
16	62717	1	Kontaktbeslag	o
17	5076	1	Skrue	
18	64314	1	Rep.Sæt Ventilstempel	o*
19	909100001	1	Låsering	o*
20	62708	1	Ventilsæde	o*
21	49461	1	O-Ring	o*
22	9523	1	O-Ring	o*
23	32091	1	O-Ring	o*
24	64301	1	Banjo Bolt	o
99	301002071	1	Rep.Sæt Unloader Ventil	consisting of: *

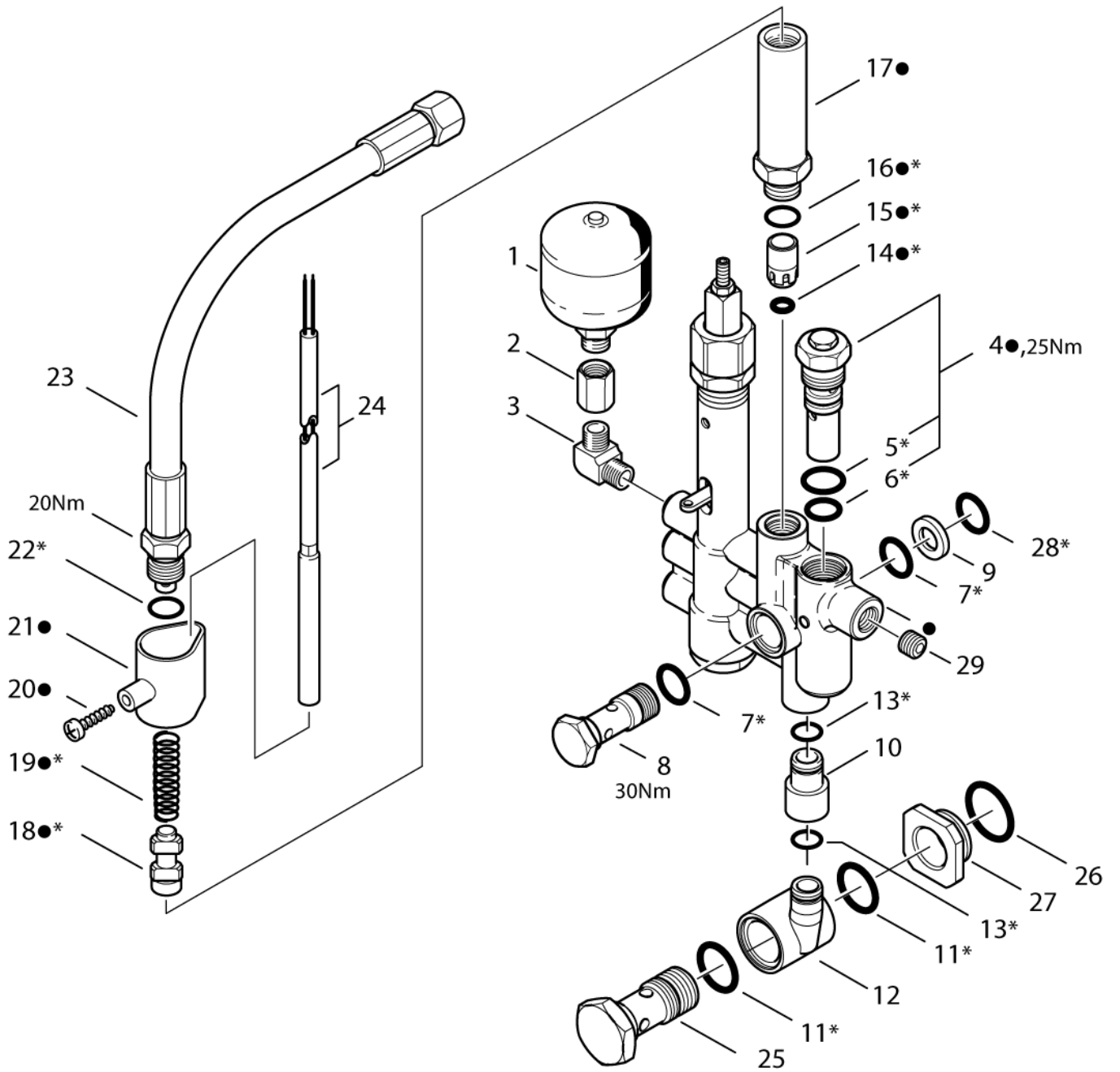
# Control safety block (B)

NEPTUNE 8

07-02-2013

StyMiste ID  
NEPTUNE806

16





# Control safety block (B)

NEPTUNE 8

07-02-2013

StyMiste ID  
NEPTUNE806

17

Pos	Vare nr.	Ant	Beskrivelse	
1	63090	1	Try kudligner	
2	63136	1	Muffe	
3	1618	1	Forskruing	
4	301000911	1	Sikkerhedsventil	o
5	16443	1	O-Ring	*
6	62706	1	O-Ring	*
7	16443	2	O-Ring	*
8	301001757	1	Hulskrue	
9	301001750	1	Adapter	
10	301001749	1	Adapter 120X14,8X30	
11	24347	2	O-Ring	*
12	301000778	1	Returløb Ø30,9X34	
13	13739	2	O-Ring	*
14	56519	1	O-Ring	o*
15	301000905	1	Stempel	o*
16	16998	1	O-Ring	o*
17	301001820	1	Fitting 122X92	o
18	301001800	1	Kontakt Stempel	o*
19	6231	1	Fjeder	o*
20	10028	1	Skrue	o
21	62399	1	Holder	o
22	62706	1	O-Ring	*
23	301001755	1	Slange	
24	301002458	1	Reed Contact	
25	301001756	1	Hollow Screw 1/2X55 Sw30	Cuzn
26	32585	1	O-Ring	
27	301001753	1	Reduction	
28	32091	1	O-Ring	*
29	30993	3	Prop	
98	301001797	1	"Unloader Valve ""Nept. 8"" "	includes o
99	301002071	1	Rep.Sæt Unloader Ventil	consisting of: *

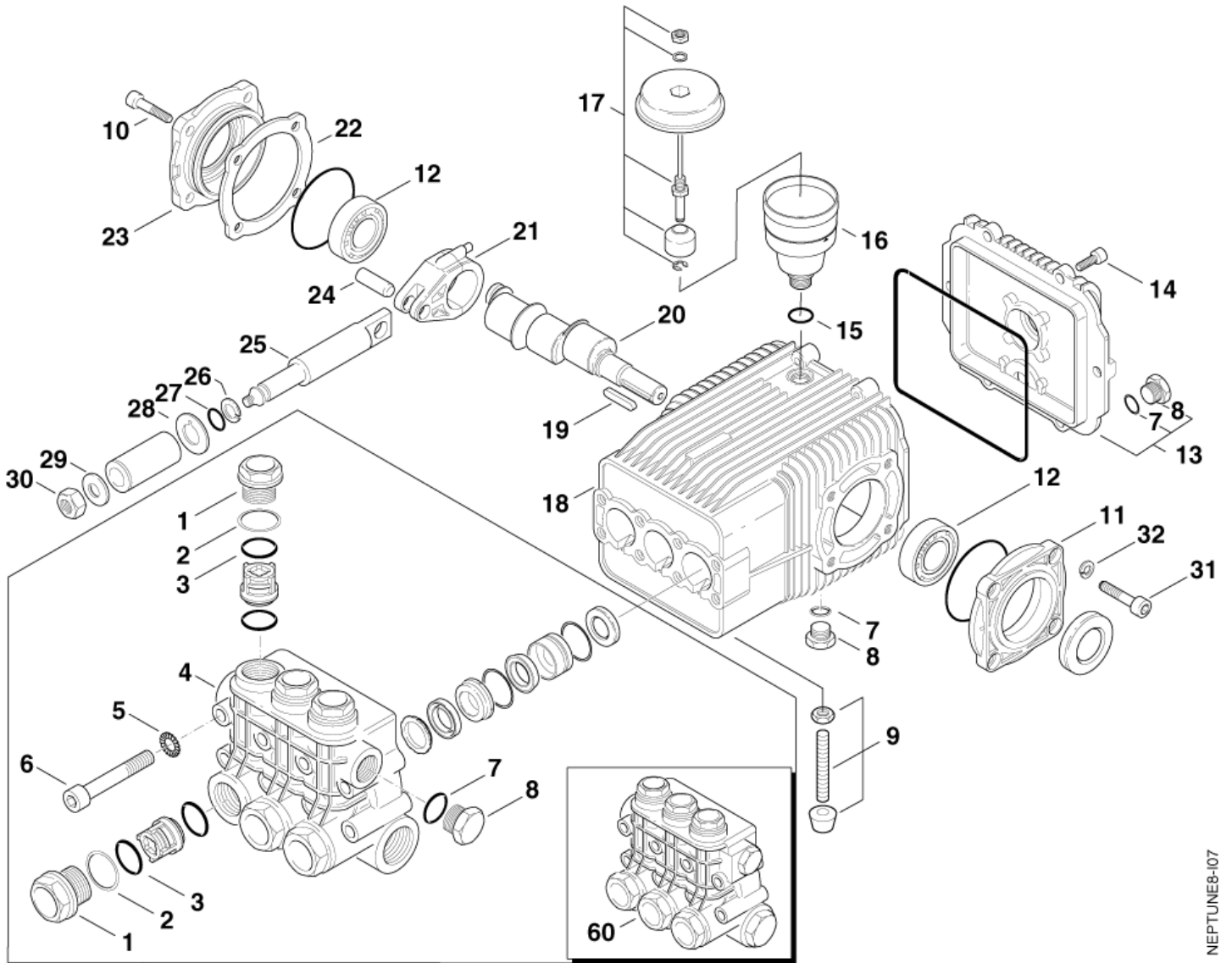
# Pump

## NEPTUNE 8

07-02-2013

StyMiste ID  
NEPTUNE807

18



NEPTUNE8-107

# Pump

## NEPTUNE 8

07-02-2013

StyMiste ID  
NEPTUNE807

19

Pos	Vare nr.	Ant	Beskrivelse	
-		1	NOTE COMMENT	Pump oil SAE 15W 40, 2,15 l
0	301001789	1	Pump Np8 30.20	includes motor and pump
1	301002025	6	Prop M28X1,5/Sw27X33	
2	301002043	6	Støttering Ø25,5 X 22	
3	3000825	12	O-Ring 20,24X2,62 Nitril	
4	301002027	1	Ventilblok	
5	909100367	8	Safety Washer Ø 10	
6	13860	8	CYLINDER SCREW M10X80 ISO4762 ST 8.8/ZN	
7	56554	3	O-Ring	
8	301001135	3	Prop	
9	301001822	1	PRESS SPINDLE 26X60 M10	
10	2788	4	CYLINDER SCREW M8X16 ISO 4762 ST 8.8/ZN	
11	301002031	1	BEARING LID 80X80X Ø 94X8	
12	64361	2	ROLLER BEARING 32206	
13	301002036	1	COVER	
14	4697	6	SCREW M6X16	
15	56554	1	O-Ring	
16	301000614	1	Kemibeholder	
17	301001196	1	Float Switch	
18	301002037	1	HOUSING	
19	40312	1	KEY 8X7X40 DIN 6885A	
20	301002038	1	CRANKSHAFT	
21	301002047	3	Forbindelsesled	
22	301002032	1	ADJUSTING WASHER 80X80XØ	
22	301002033	1	ADJUSTING WASHER 80X80XØ	
22	301002034	1	ADJUSTING WASHER 80X80XØ	
22	301002035	1	ADJUSTING WASHER 80X80XØ	
23	301002030	1	Bearing Lid 80X80X Ø 94 X8	
24	301002044	3	BOLT	
25	301002046	3	PISTON ROD	
26	301002048	3	Supporting Ring Ø 13X1 0X1	
27	6480286	3	O-Ring	
28	301002045	3	Distance Spacer	
29	301002042	3	Washer Ø 18,5X Ø 8X1	
30	909100376	3	Hexagon Nut M8X5/Sw17	
31	3928	4	SCREW M8X30	
32	2798	4	LOCK WASHER 8	
60	301002028	1	VALVE BLOCK COMPL. Ø20MM	*US*
60	301002029	1	Valve Block Compl. Ø22Mm Piston	*EU*
99	107140939	1	PUMP N8 30.20 N 30 L/MIN	*EU*
99	301001980	1	PUMP N8 8G29 N 30 L/MIN 200BAR	*US*

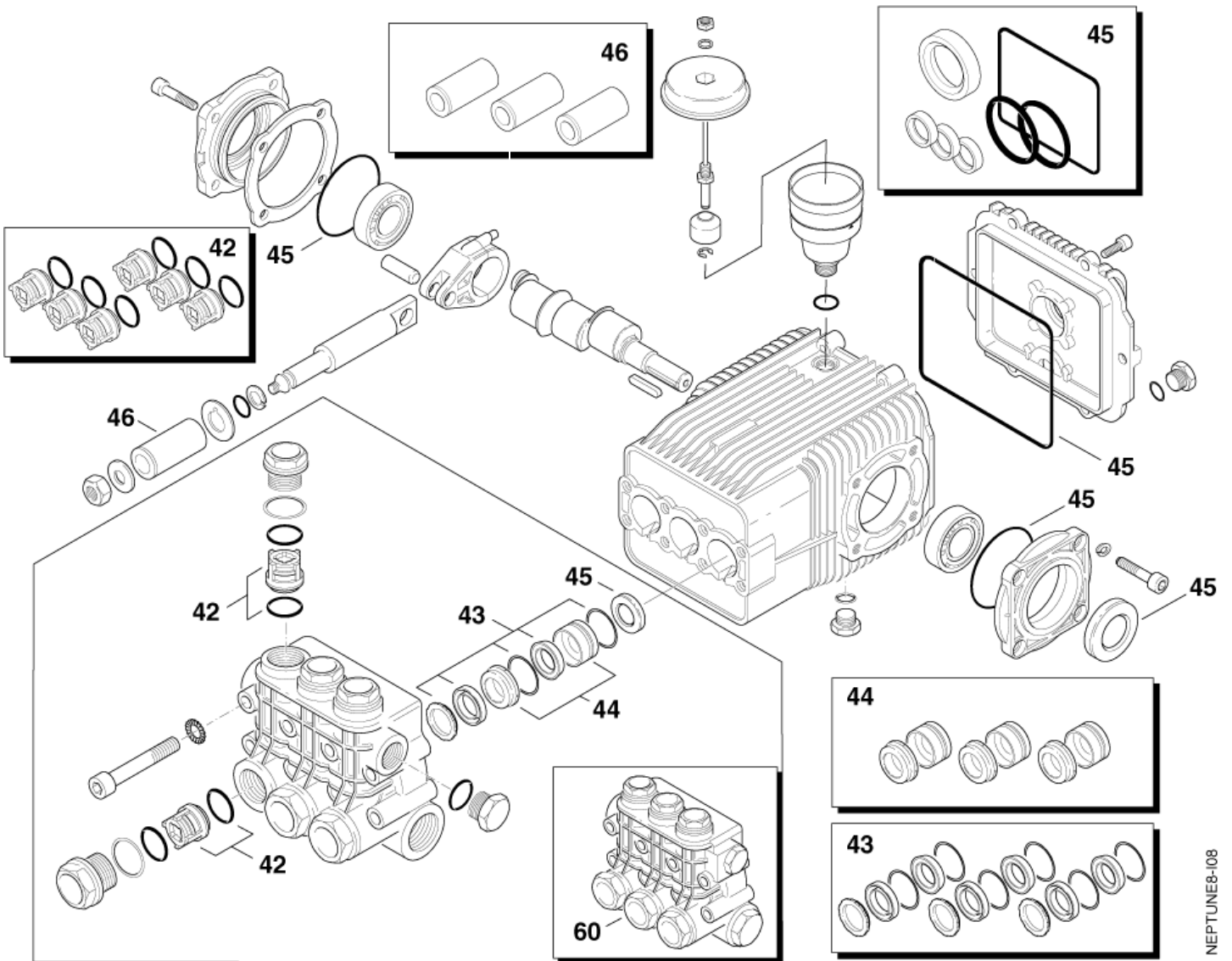
# Pump, kits

NEPTUNE 8

07-02-2013

StyMiste ID  
NEPTUNE808

20



# Pump, kits

## NEPTUNE 8

07-02-2013

StyMiste ID  
NEPTUNE808

21

Pos	Vare nr.	Ant	Beskrivelse	
42	301002039	1	Ventilsæt	
43	301002052	1	Pakningssæt	*US*
43	301002053	1	Kit Piston Sealing Ø22	*EU*
44	301002054	1	Stempelring	*US*
44	301002055	1	Kit Support Ring Ø22	*EU*
45	301002051	1	Rep.Sæt Olieætning	
46	301002049	1	Kit Piston D20	*US*
46	301002050	1	Rep.Sæt Stempler	*EU*
60	301002028	1	VALVE BLOCK COMPL. Ø20MM	*US*
60	301002029	1	Valve Block Compl. Ø22Mm Piston	*EU*

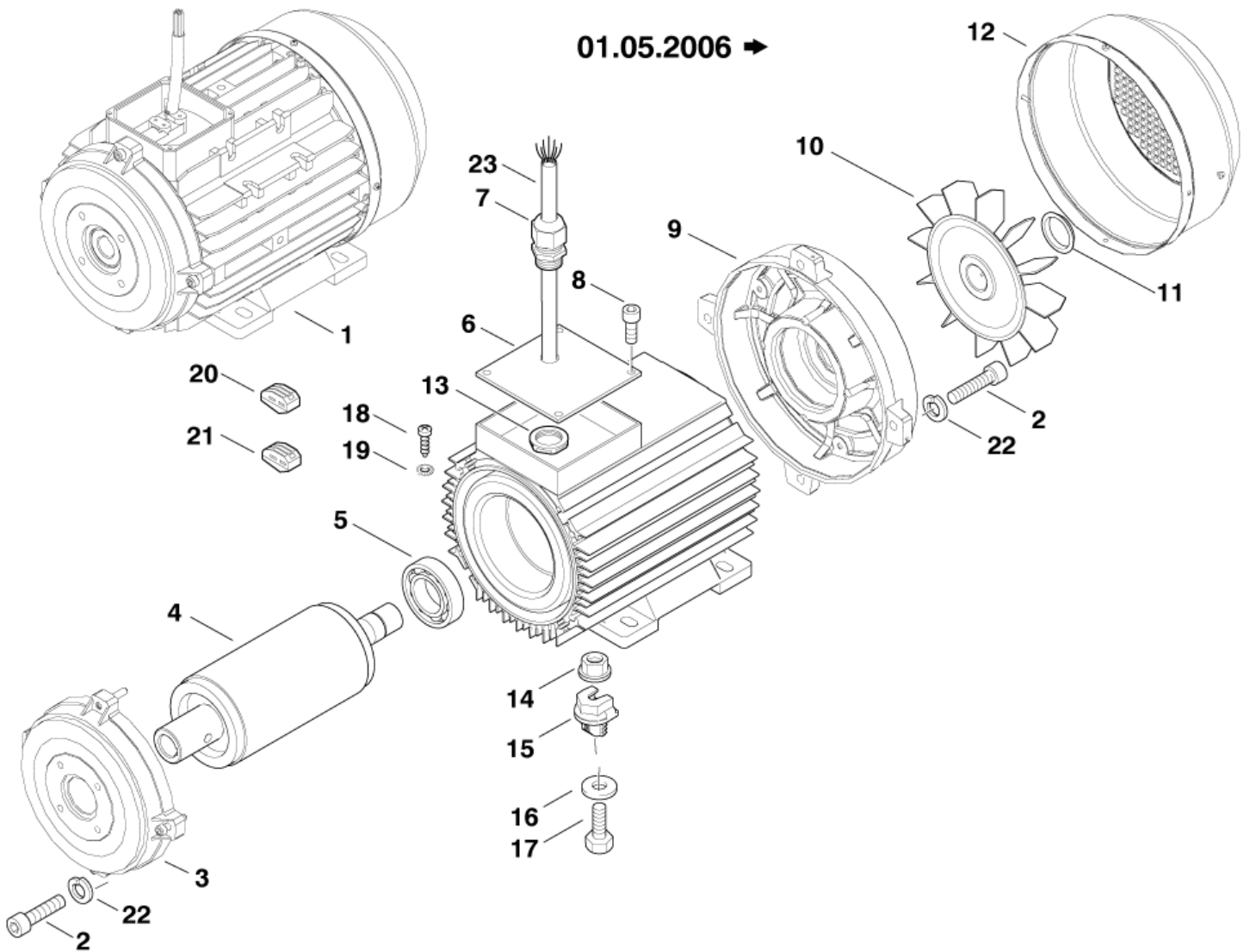
# Motor 01.05.2006=>

NEPTUNE 8

07-02-2013

StyMiste ID  
NEPTUNE822

22



# Motor 01.05.2006=>

NEPTUNE 8

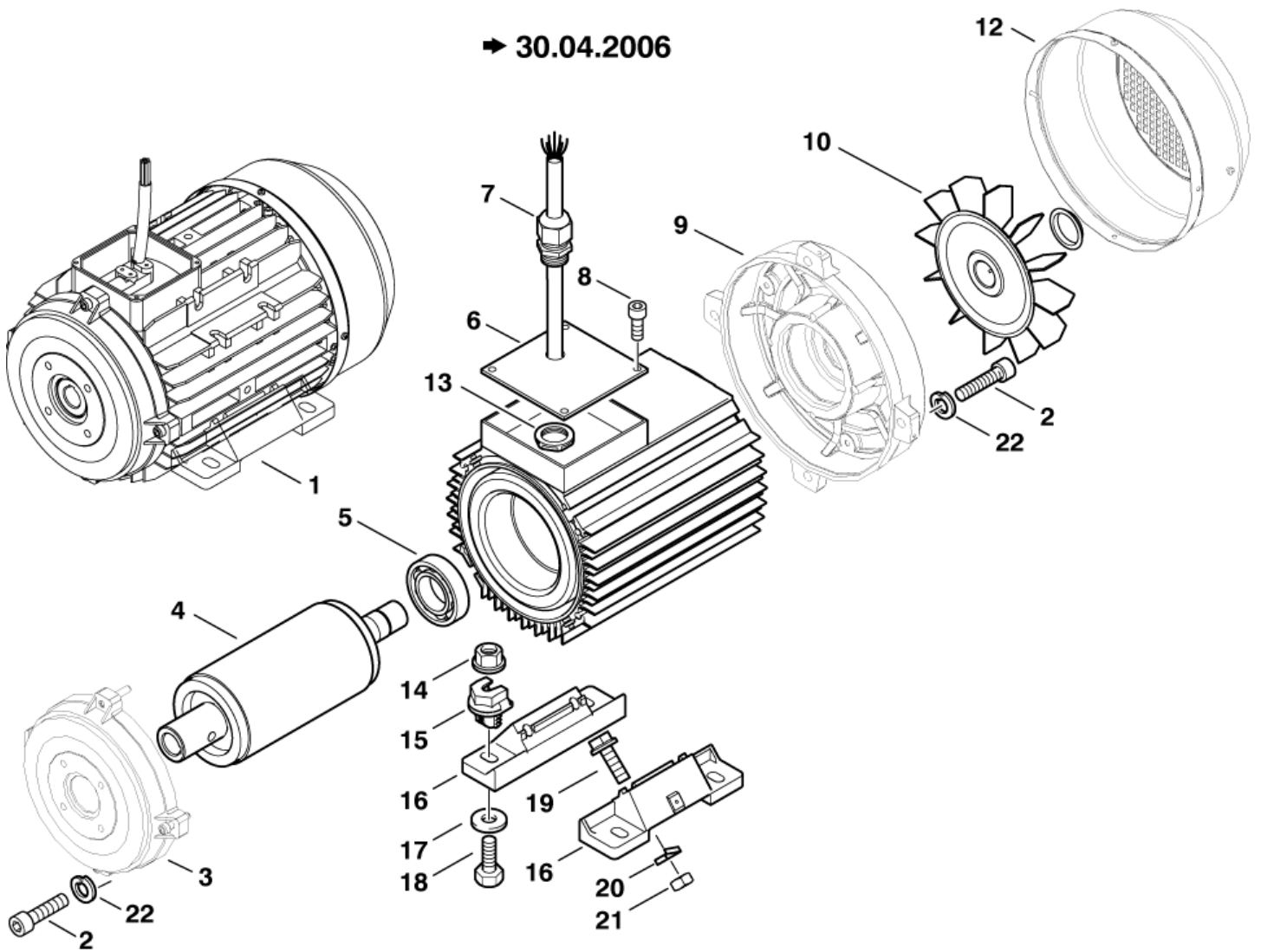
07-02-2013

StyMiste ID  
NEPTUNE8ZZ

23

Pos	Vare nr.	Ant	Beskrivelse	
1	107140938	1	MOTOR MEC132 230/400V 3PH 11KW	*EU*US*
1	301002396	1	MOTOR 11KW 290V/500V	500V
2	6863	8	SCREW M8X35	
3	301002075	1	Motor Flange	
4	301002078	1	ROTOR MOTOR 11KW	
5	909100380	1	Roller Bearing 6208-2Zc3	
6	301001758	1	COVER 110X110X2	ST
7	64903	1	CORD FIXING M25X1.5	
8	2777	4	CYLINDER SCREW M4X10 ISO 1207 4.8 ST/ZN	
9	301002073	1	Leje Dæksel, Bagerst	
10	301002074	1	Ventilator Ø230X50	
11	106162892	1	CLAMPING STRAP	
12	301002077	1	FAN HOUSING Ø 260X115	
13	909100020	1	Hexagon Thin Nut M25X1.5 En 50262 P	
14	61467	4	Møtrik M8	
15	301001269	4	HOLDER NUT M8	
16	2793	4	WASHER 8.4X2	
17	3213	4	SCREW M8X40	
18	4144	1	CYLINDER SCREW M4X6 ISO 1207 ZN	01.08.2006=>
19	4021	1	SERRATED LOCK WASHER A4	01.08.2006=>
20	301001229	5	Rækkelemme 3X4 Qmm	01.08.2006=>
21	301002165	1	CAGE CLAMP TERMINAL 5POL WAGO 222-415	01.08.2006=>
22	2798	8	LOCK WASHER 8	
23	301002635	1	WIRE MOTOR 7-POL. NEPTUNE 8	01.08.2006=>

➔ 30.04.2006





**Motor =>30.04.2006|**

NEPTUNE 8

07-02-2013

StyMiste ID  
NEPTUNE809

25

Pos	Vare nr.	Ant	Beskrivelse
1	107140938	1	MOTOR MEC132 230/400V 3PH 11KW 11,0KW/230/400/3 *EU*US*
1	107140938	1	MOTOR MEC132 230/400V 3PH 11KW
1	301002396	1	MOTOR 11KW 290V/500V 500V
2	6863	8	SCREW M8X35
3	301002075	1	Motor Flange
4	301002078	1	ROTOR MOTOR 11KW
5	909100380	1	Roller Bearing 6208-2Zc3
6	301001758	1	COVER 110X110X2 ST
7	64903	1	CORD FIXING M25X1.5
8	2777	4	CYLINDER SCREW M4X10 ISO 1207 4.8 ST/ZN
9	301002073	1	Leje Dæksel, Bagerst
10	301002074	1	Ventilator Ø230X50
12	301002077	1	FAN HOUSING Ø 260X115
13	909100020	1	Hexagon Thin Nut M25X1.5 En 50262 P
14	61467	4	Møtrik M8
15	301001269	4	HOLDER NUT M8
16	301002076	2	MOTOR FOOT
17	2793	4	WASHER 8.4X2
18	3213	4	SCREW M8X40
19	8928	4	HEX. SCREW M10X60 ISO 4017 ZN
20	24851	4	LOCK WASHER 10
21	2758	4	HEXAGON NUT M8
22	2798	8	LOCK WASHER 8

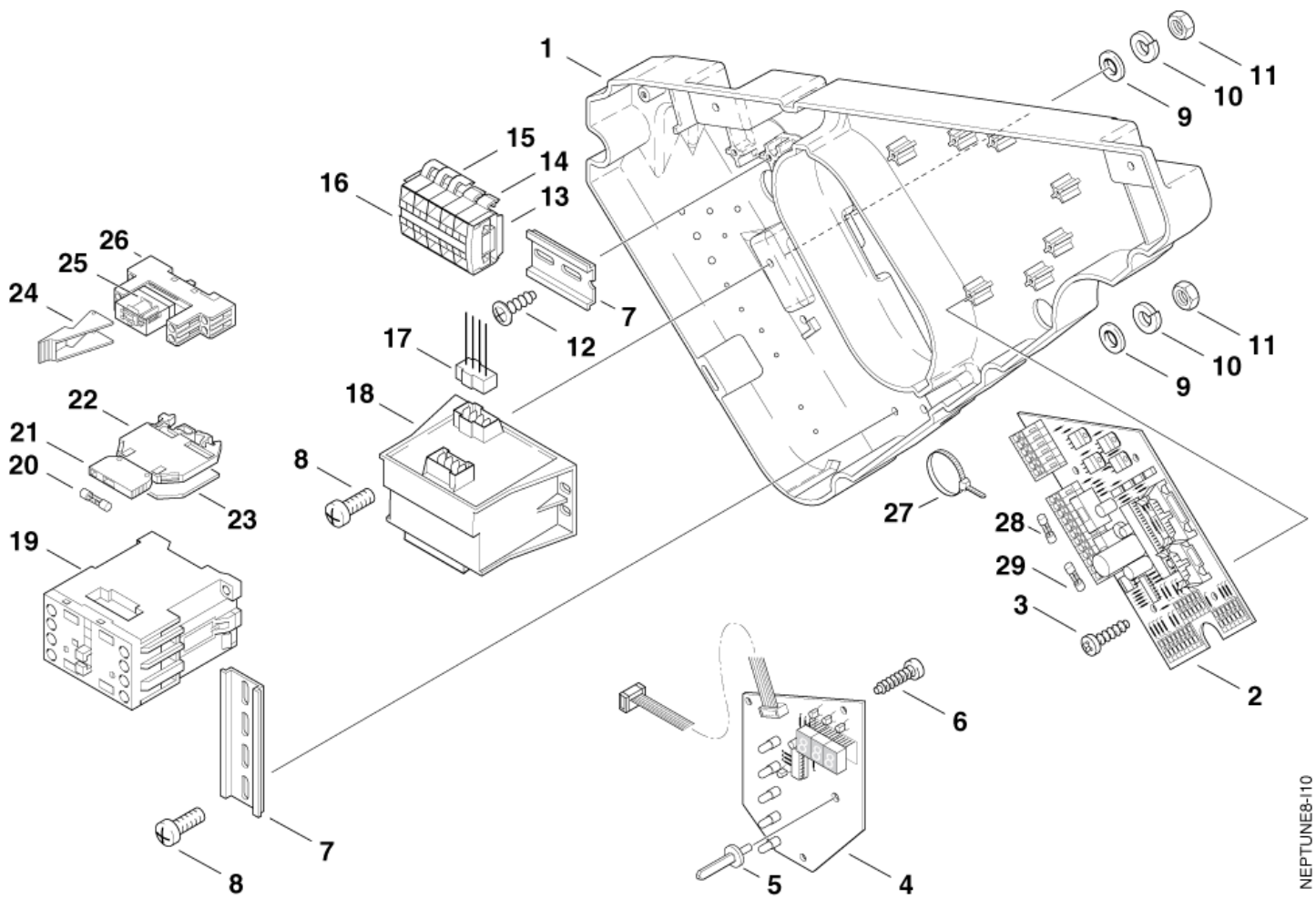
# Electric box (A)

NEPTUNE 8

07-02-2013

StyMiste ID  
NEPTUNE810

26



NEPTUNE8-110

# Electric box (A)

NEPTUNE 8

07-02-2013

Styliste ID  
NEPTUNE810

27

Pos	Vare nr.	Ant	Beskrivelse	
1	301000679	1	ASSEMBLY PLATE	
2	301000680	1	Hoved Print	
2	301002123	1	Microprocessor	For main circuit board
3	1805175	4	Plastskruer	
4	301000678	1	Display	
5	301000636	1	Aksle	
6	11254	3	SCREW 3.5X10 WN1411	
7	22290	1	MOU. RAIL TS35/F6 7.5 18X5.2 EN60715 ZN	* SEE NOTE
8	15146	4	RAISED DOME HEAD SCREW M5X12 H DIN 7985	
9	2763	4	Washer 5,3X1	
10	1813773	4	SERRATED LOCK WASHER	
11	2760	4	Møtrik	
12	16860	2	Skruer 4x12	
13	301000688	1	WIRE TERMINAL 4X2.5MM	
14	301000687	2	WIRE TERMINAL 2X2.5MM	
15	301000686	2	WIRE TERMINAL 4X2.5mm TYPE 264	
16	301000689	1	END PLATE GREY 4MM TYP 264	
17	301000722	1	WIRE H07V-K 4-POL. AEH US	not 500V
18	101117724	1	POWER TRANSFORMER 230/400-24/8V T70	*EU* 230V/400V 24V/8V
18	301001059	1	Transformer	*US*
19	103822313	1	Contacteur 12-25A 50/60Hz 24V	100-C23KJ10 24/50-60
20	3812385	1	Sikring Ø5X20	
21	3807914	1	Sikringsholder Sist	
22	3807906	1	TERMINAL STEIP WK4	
23	301000734	1	END PLATE	
24	301000684	1	Holderbøjle	
25	26817	1	Relæ	
26	41573	1	Relæsokkel	
27	15147	1	CABLE STRAP 3.5X1.3X175	
28	103821729	1	Fuse Ø5X20 2A T, 250V	
29	24499	1	Sikring	

\* NOTE: PLEASE INDICATE LENGTHS IN METRES WHEN ORDERING

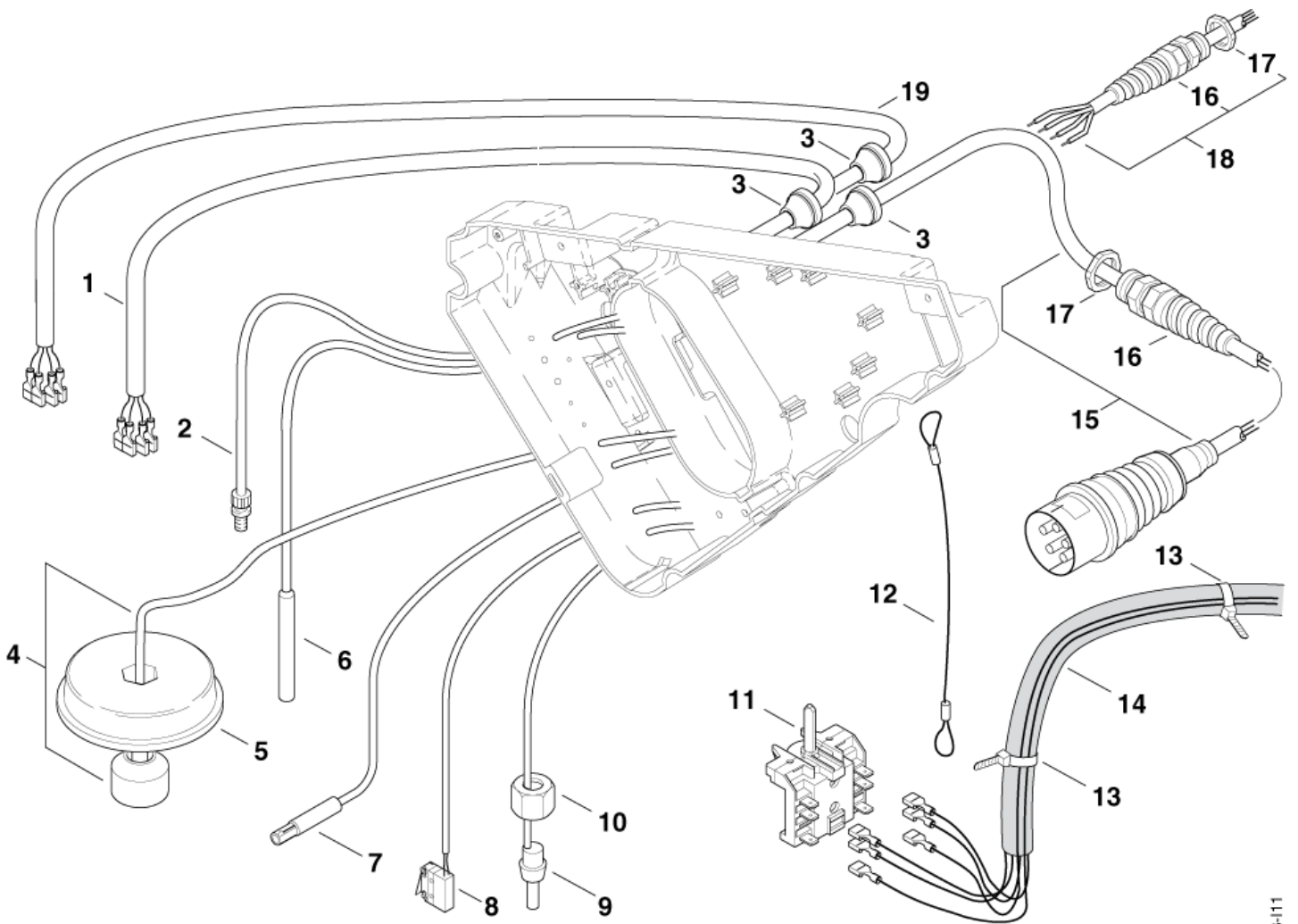
# Electric box (B)

NEPTUNE 8

07-02-2013

StyMiste ID  
NEPTUNE811

28



# Electric box (B)

NEPTUNE 8

07-02-2013

StyMiste ID  
NEPTUNE811

29

Pos	Vare nr.	Ant	Beskrivelse
1	301001825	1	CORD 4-POL.
2	301000732	1	Termo Sikring
3	3803780	2	Pakdåse Tet 10-14C 500V = 3 pcs.
4	301001196	1	Float Switch
5	301000615	1	Dæksel
6	301002458	1	Reed Contact
7	301000729	1	Flammeføler
8	301000731	1	Mikrokontakt 250V 0,1A
9	301000730	1	Temperaturløler
10	1081	1	Tilslutningsmøtrik, Galv.
11	28877	1	Switch
12	301001091	1	ROPE D1.2X365
13	4059	4	CABLE STRAP 3.6X1.1X110
14	301000719	1	CORD TRANSFORMER 230AT 4G 500V
14	301000720	1	CORD TO TRANSFORMER 400V 400V/4G1,5
15	301001845	1	POWER CORD H07RN-F 4G2.5X6.0CEE5 32A6H *EU* H07RN-F 4G2,5X6
16	909100198	1	SCREWED CABLE GLAND M25X1.5
17	909100020	1	Hexagon Thin Nut M25X1.5 En 50262 P
18	301000833	1	POWER CORD H07RN-F 4G2.5X6.0 500V
18	301001466	1	POWER CORD SJOW AWG12/4X11 *US*
19	301002391	1	CABLE 4-POLE 550V-TRAFO 500V

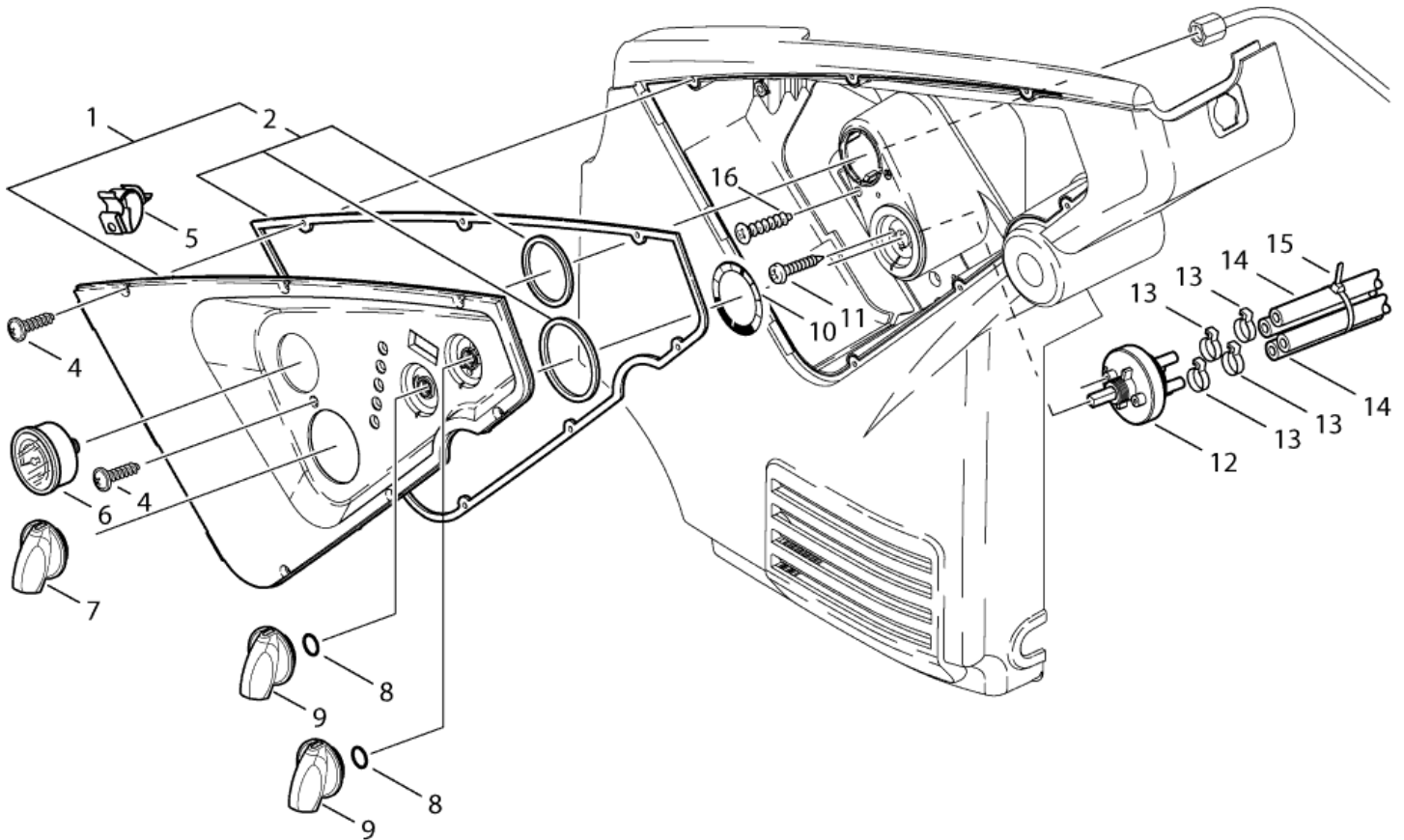
# Cover electric box

NEPTUNE 8

07-02-2013

StyMiste ID  
NEPTUNE812

30



# Cover electric box

## NEPTUNE 8

07-02-2013

StyMiste ID  
NEPTUNE812

31

Pos	Vare nr.	Ant	Beskrivelse
1	301001095	1	Dæksel
2	301000970	1	Pakningssæt
4	1814614	6	Skrue K50X18 Wn1451 A2
5	301001075	1	WIRE HOLDER D22X38X16
6	49473	1	Manometer 0-250 Bar 0-250 BAR
7	909100207	1	Drejeknap
8	9868	2	O-Ring 10.0X2.5
9	909100206	2	Drejeknap (BLUE)
10	301000786	1	Klæbeskilt
11	1814730	2	SCREW 35X10B W1423
12	301001000	1	Doserventil
13	11654	4	Slangeklemme
14	101406100	1	Kemislange, 5 Meter
15	8819	1	Strips
16	11253	2	Skrue Ka5,0X20 Aero

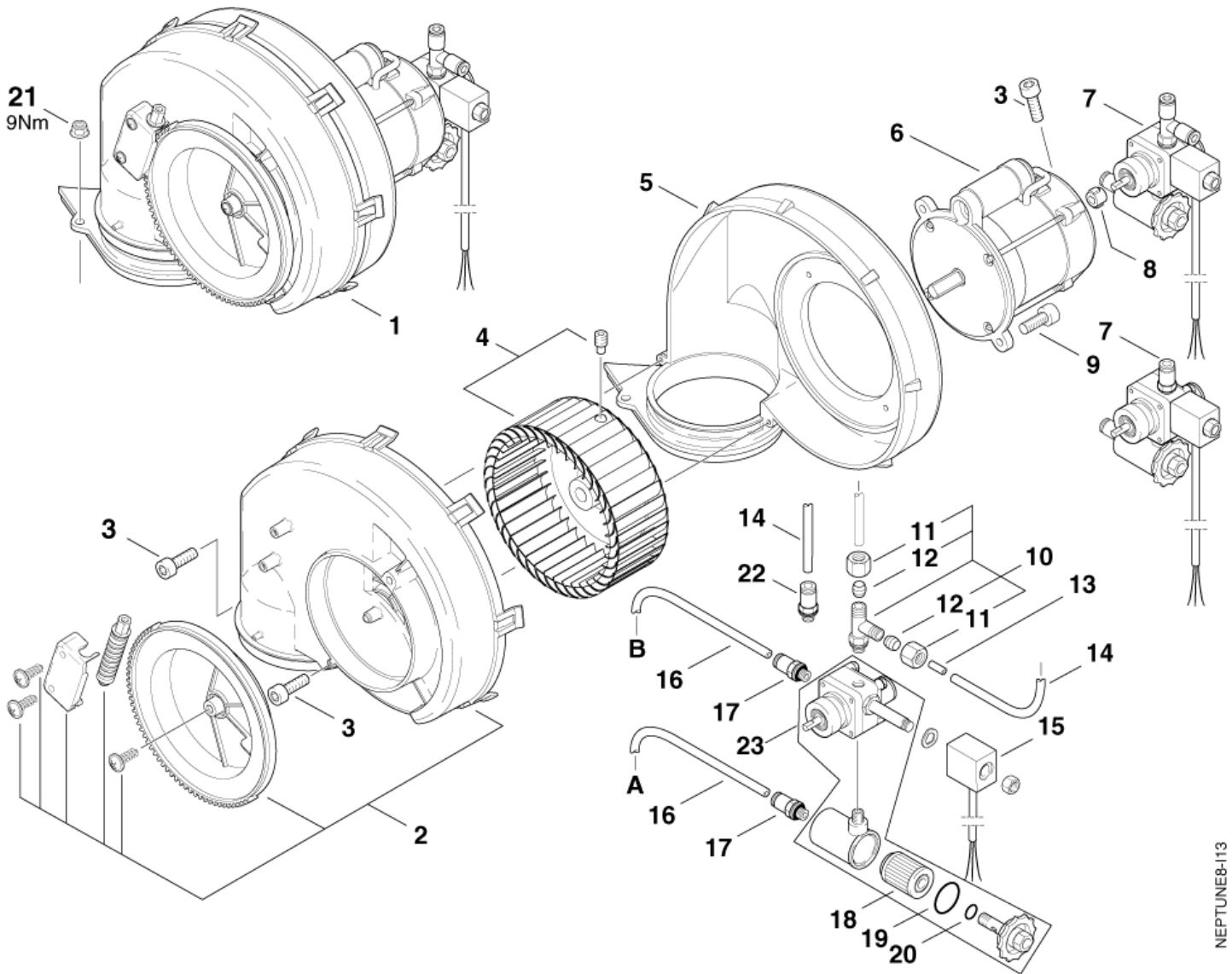
# Burner unit

NEPTUNE 8

07-02-2013

StyMiste ID  
NEPTUNE813

32





# Burner unit

## NEPTUNE 8

07-02-2013

StyMiste ID  
NEPTUNE813

33

Pos	Vare nr.	Ant	Beskrivelse	
1	301000908	1	Kedelblæser Hus Komplet	*EU*
1	301001395	1	BURNER FAN HOUSING Kerosine	*US*
2	301000852	1	Dæsel For Kedelblæserhus	
3	32535	3	SCREW M5X16	
4	301000889	1	Kedelblæsehjul	
5	301000495	1	Kedelblæse Hus	
6	301000881	1	Burner Motor 0V/50-60Hz	*US*
6	301000882	1	Blæser Motor	*EU* 180W/230V/50HZ
7	101117988	1	Oil Pump Sp55B 431 Kit	*EU*  01.04.2005=>
7	101117989	1	OIL PUMP SP55B 4316M KIT	*US*
7	301000888	1	Brændstofpumpe	=>31.03.2005]
8	1226	1	Kobling	
9	4697	2	SCREW M6X16	
10	909100142	1	Forskruning - L Type	=>31.03.2005]
11	1603430	2	Omløber Ø4	=>31.03.2005]
12	1603448	2	Skærring Ø4	=>31.03.2005]
13	301000914	1	Støtte	=>31.03.2005]
14	909100141	1	Slange	* SEE NOTE
15	101117987	1	Magnetventil 24V	24V/50-60HZ
16	17710	1	Rør	* SEE NOTE
17	29599	2	Forskruning - Lige	
18	1756	1	Filter Patron'	
19	40907	1	O-Ring	
20	9868	1	O-Ring 10.0X2.5	
21	12496	2	Møtrik M6	
22	301002070	1	Union	01.04.2005=>
23	301002100	1	BASE-FUEL PUMP WITH FILTER	Kerosine
23	301002101	1	Oliepumpe Med Filter	

\* NOTE: PLEASE INDICATE LENGTHS IN METRES WHEN ORDERING

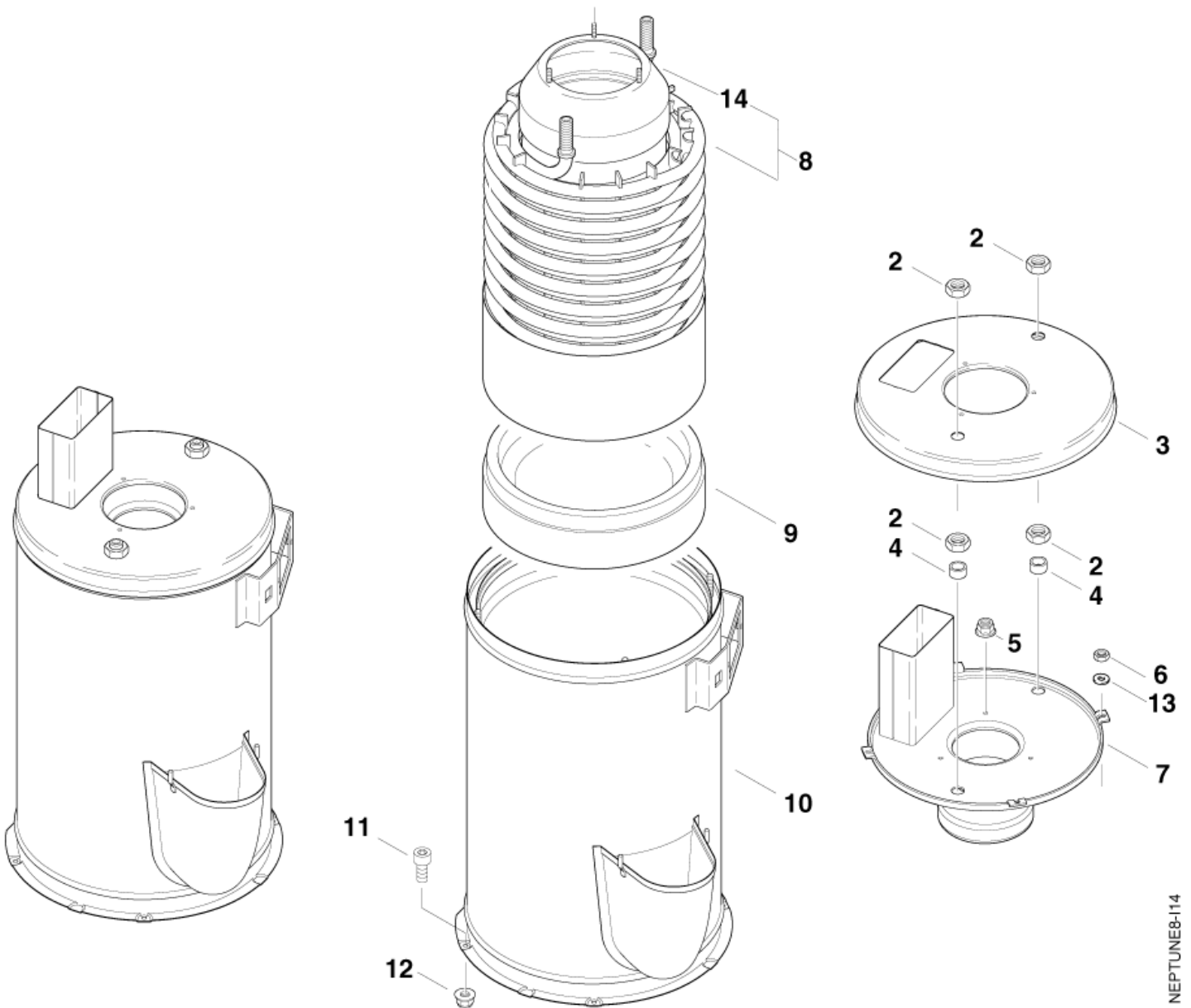
# Heat exchanger

NEPTUNE 8

07-02-2013

StyMiste ID  
NEPTUNE814

34



# Heat exchanger

## NEPTUNE 8

07-02-2013

StyMiste ID  
NEPTUNE814

35

Pos	Vare nr.	Ant	Beskrivelse
2	7012	4	Møtrik
3	301000534	1	Kedellæg Ydre
4	301000582	2	BUSHING Ø22X1.5X24
5	12496	3	Møtrik M6
6	12263	4	HEXAGON NUT M6
7	301001839	1	Brænderlæg, Inderste
8	301001099	1	Spiral NEPTUNE 7
8	301001342	1	"Coil Stainless ""NEPTUNE 7+8"" * SEE NOTE
9	301000916	1	Isolation
10	301000969	1	BOILER JACKET COMPL. NE
11	3913	4	Skrue M6X12
12	12496	4	Møtrik M6
13	2764	4	Washer 6,4X1,6
14	301000541	1	Flammerør NEPTUNE 5+7

\* NOTE: NEPTUNE 8-103S = standard, other machines optional



# Distributor, ignition transformer

## NEPTUNE 8

07-02-2013

StyMiste ID  
NEPTUNE815

37

Pos	Vare nr.	Ant	Beskrivelse
1	301000883	1	Fordeler
2	1821	1	Fitting
3	3938	1	Forskruning
4	301001755	1	Slange
5	60141	1	Manometerslange (Højtryk)
6	301000732	1	Termo Sikring
7	1081	2	Tilslutningsmøtrik, Galv.
8	301000730	1	Temperaturføler
9	101118093	1	T-FITTING M18 X 1.5 THREAD
10	1080	1	Skæring, Galv.
11	301001754	1	Slange
12	301000879	1	Tændingstransformator
13	1809821	2	Skrue M5X50 Din 7985
14	301000859	2	Tændingskabel
15	909100152	1	Møtrik
16	1803543	1	Taptite M4X10  01.04.2005=>
17	909100379	1	CLAMP 1-4-W1-1  01.04.2005=>

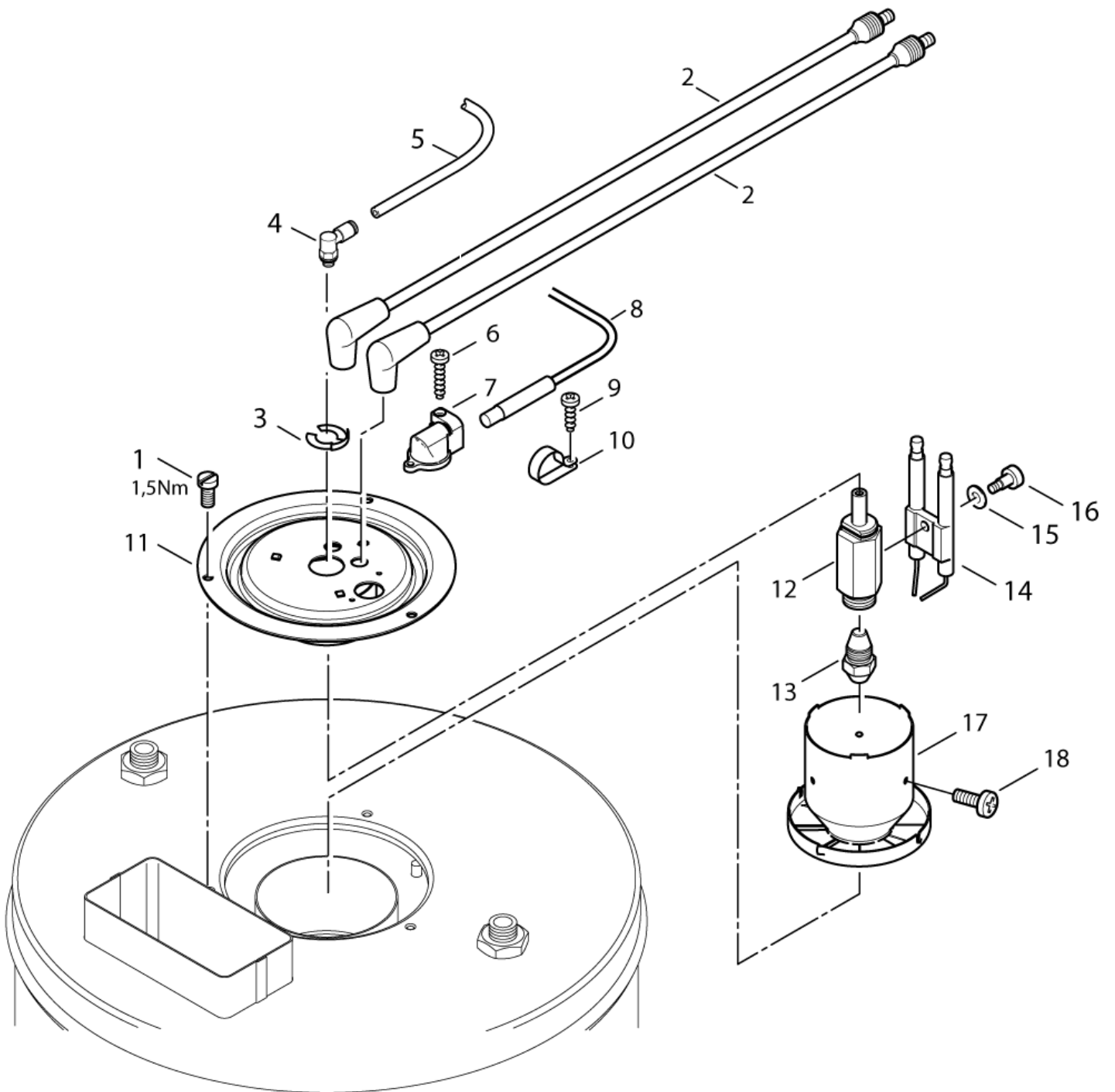
# Air distributor Dec. 2010

NEPTUNE 8

07-02-2013

StyMiste ID  
NEPTUNE838

38



# Air distributor Dec. 2010

NEPTUNE 8

07-02-2013

StyMiste ID  
NEPTUNE838

39

Pos	Vare nr.	Ant	Beskrivelse
1	4820	3	Skrue
2	301000859	1	Tændingskabel
3	101117876	1	Circlips
4	101117913	1	Elbow 4/M5 Push-In
5	909100141	1	Slange
6	5606	1	Metal Skrue
7	301000934	1	Holder Flammeføler
8	301000729	1	Flammeføler
9	4036	2	Skrue 2,9X9,5
10	301001069	1	Holder Temperaturføler
11	301000606	1	Dæksel
12	101117915	1	Oil Nozzle Holder
13	101118013	1	Oliedyse 2.25 Gal/H 60
14	301150009	1	Tændelegtrode
15	909100144	1	Fjederskive
16	909100143	1	Skrue
17	301001833	1	Luftfordeler
18	51848	3	Skrue

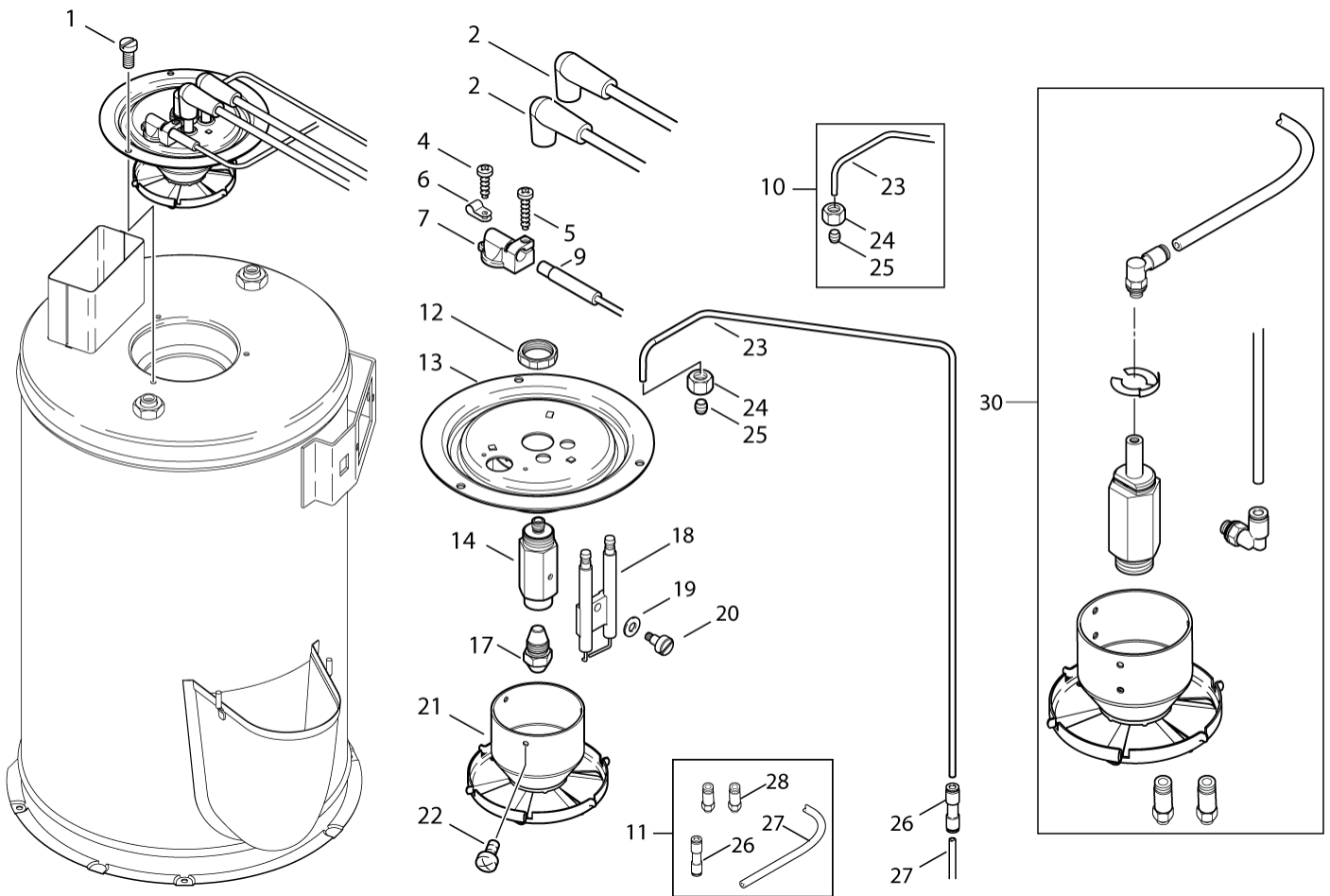
# Air distributor

NEPTUNE 8

07-02-2013

StyMiste ID  
NEPTUNE816

40





# Air distributor

## NEPTUNE 8

07-02-2013

StyMiste ID  
NEPTUNE816

41

Pos	Vare nr.	Ant	Beskrivelse	
1	4820	3	Skrue	
2	301000859	2	Tændingskabel	
4	4036	1	Skrue 2,9X9,5	
5	5606	1	Metal Skrue	
6	301001069	1	Holder Temperaturføler	
7	301000934	1	Holder Flammeføler	
9	301000729	1	Flammeføler	
10	101118039	1	Rep. Kit CU Pipe F. N5 N7	
11	101118040	1	REP.KIT F. OIL PUMP	
12	301150009	1	Tændelegtrode	
13	301000606	1	Dæksel	
14	301001548	1	Holder For Oliedyse	
15	909100143	1	Skrue	
17	101118013	1	Oliedyse 2.25 Gal/H 60	8-103
18	301150009	1	Tændelegtrode	
19	909100144	1	Fjederskive	
20	909100143	1	Skrue	
21	301001833	1	Luftfordeler	
22	51848	3	Skrue	
23	909100141	1	Slange	01.04.2005=> * SEE NOTE
24	1603430	1	Omløber Ø4	01.04.2005=>
25	1603448	1	Skæring Ø4	01.04.2005=>
26	301001912	1	Union Piece Ø4/Ø4	01.04.2005=>
27	909100141	1	Slange	
28	301002070	1	Union	
30	101118037	1	REP.KIT F. BURNER N5 N7-25	
30	101118038	1	Rep.kit	

\* NOTE: PLS. INDICATE LENGTH IN METRES!

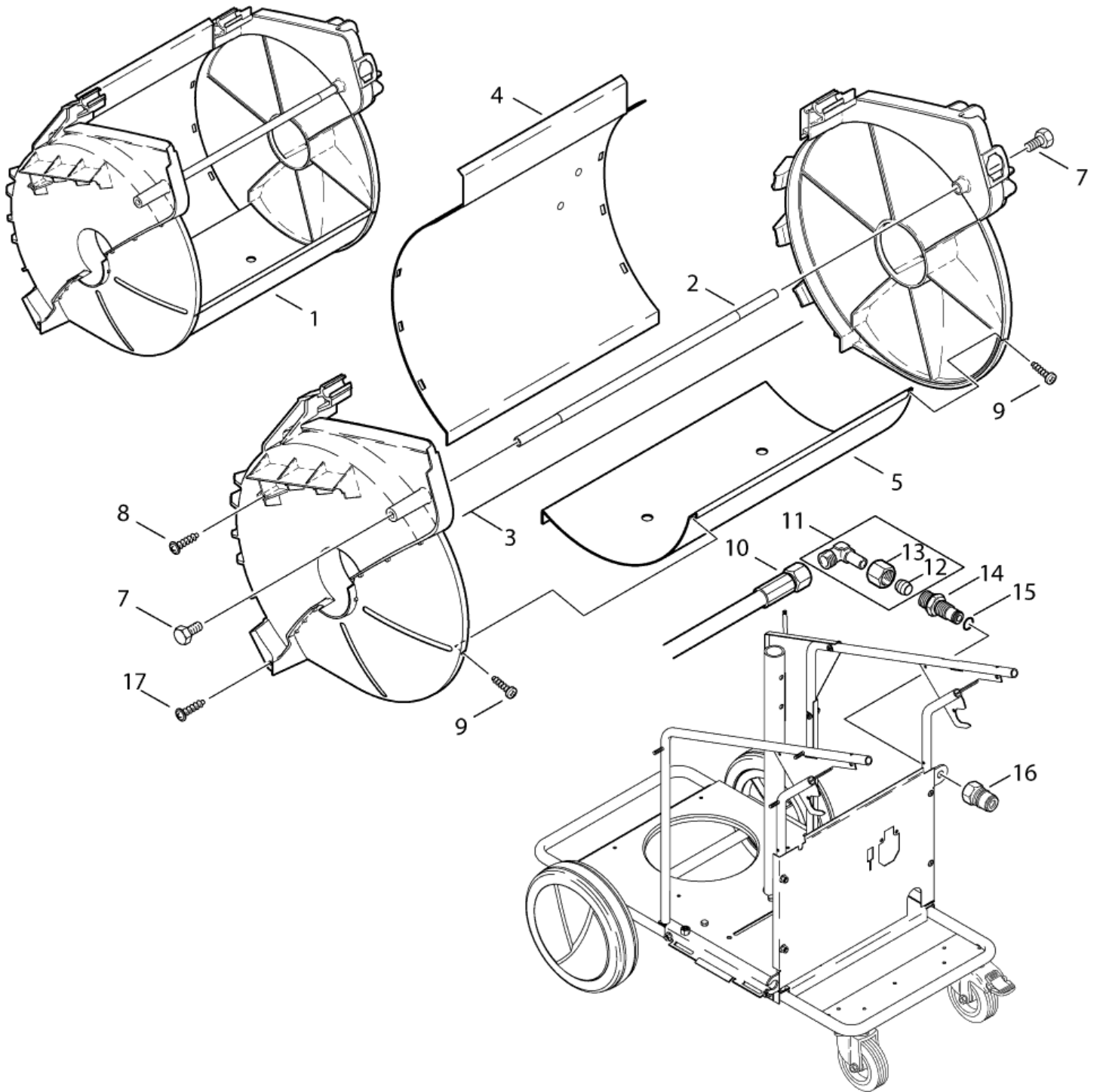
# Basket

NEPTUNE 8

07-02-2013

StyMiste ID  
NEPTUNE817

42



# Basket

## NEPTUNE 8

07-02-2013

StyMiste ID  
NEPTUNE817

43

Pos	Vare nr.	Ant	Beskrivelse	
1	301000708	1	BASKET	consisting of: *
2	301000668	1	GUIDE BAR Ø12X451	*
3	301001359	1	Hose Reel Cabinet Left	*
4	301000602	1	SHEET METAL 390X262X142	*
5	301000601	1	SHEET METAL 390X261X142	*
7	6557	2	Skrue, M8X16	
8	11565	2	Skrue Pt5X18	
9	18086	2	Metal Skrue	*
10	301001754	1	Slange	
11	101118094	1	COUPLING KIT 90D ISO 8434 M18X1.5 THREAD	
12	1080	1	Skærring, Galv.	
13	1081	1	Tilslutningsmøtrik, Galv.	
14	301000627	1	Fitting	
15	42768	1	O-Ring	
16	1600493	1	"Lynkoblingsnippel 3/8" "	
17	43341	2	SCREW 5X30	

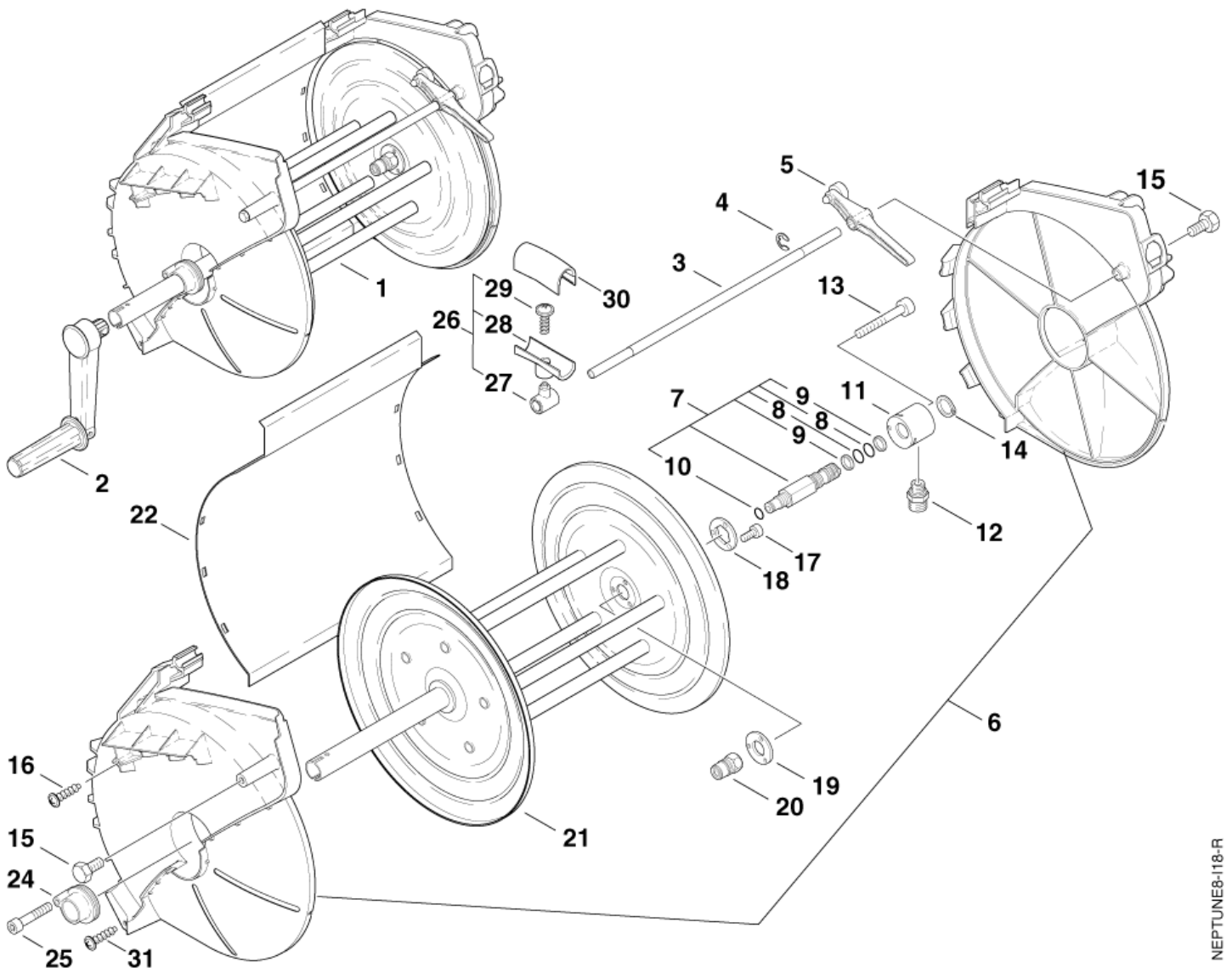
# Hose reel

NEPTUNE 8

07-02-2013

StyMiste ID  
NEPTUNE818

44



NEPTUNE8-118-R

# Hose reel

## NEPTUNE 8

07-02-2013

Styliste ID  
NEPTUNE818

45

Pos	Vare nr.	Ant	Beskrivelse	
1	301000851	1	Slangerulle	X-models
2	301000733	1	Drejehåndtag	X-models
3	301000668	1	GUIDE BAR Ø12X451	X-models
4	1814466	1	SAFETY WASHER D9 A2 DIN 6799	X-models
5	301000746	1	Bremse	X-models
6	301001359	1	Hose Reel Cabinet Left	X-models
7	301001096	1	Tryk gennemføring	X-models
8	19620	2	O-Ring	X-models
9	63792	2	Back-Up Ring	X-models
10	42768	1	O-Ring	X-models
11	301000624	1	Hus For Tryk gennemføring	X-models
12	54590	1	Forskrunding	X-models
13	5100	1	Screw M6X45	X-models
14	32524	1	Sikringsring	X-models
15	6557	2	Skrue, M8X16	X-models
16	11565	2	Skrue Pt5X18	X-models
17	3913	3	Skrue M6X12	X-models
18	301000653	1	Skive	X-models
19	301000850	1	Washer Ø2	X-models
20	1600493	1	"Lynkoblingsnippel 3/8" "	X-models
21	301000698	1	Slangerulle 50M	X-models
22	301000602	1	SHEET METAL 390X262X142	X-models
24	301000849	1	Leje	X-models
25	5945	1	Skrue	X-models
26	301000780	1	Slangeføring Formonteret	X-models
27	301000672	1	HOSE GUIDE SLEEVE 33.2X2	X-models
28	301000676	1	Slangeføring Underdel	X-models
29	10028	1	Skrue	X-models
30	301000674	1	Slangeføring Overdel	X-models
31	43341	2	SCREW 5X30	X-models

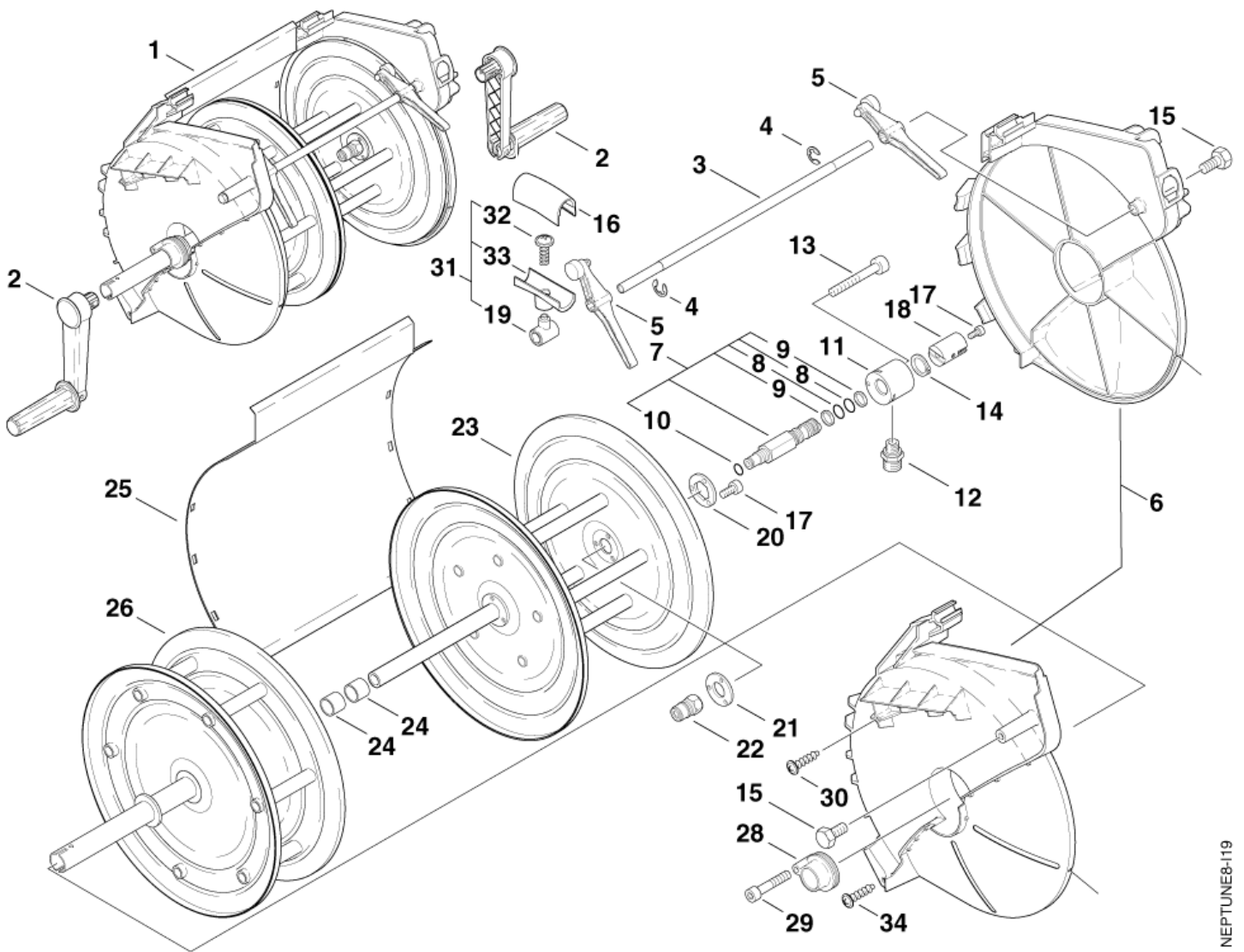
# Hose reel, cord reel

NEPTUNE 8

07-02-2013

StyMiste ID  
NEPTUNE819

46



NEPTUNE8-119

# Hose reel, cord reel

NEPTUNE 8

07-02-2013

StyMiste ID  
NEPTUNE819

47

Pos	Vare nr.	Ant	Beskrivelse	
1	301001130	1	Slange+Kabel F.Slanger.	X2-models
2	301000733	2	Drejehåndtag	X2-models
3	301000668	1	GUIDE BAR Ø12X451	X2-models
4	1814466	2	SAFETY WASHER D9 A2 DIN 6799	X2-models
5	301000746	2	Bremse	X2-models
6	301001359	1	Hose Reel Cabinet Left	X2-models
7	301001096	1	Tryk gennemføring	X2-models
8	19620	2	O-Ring	X2-models
9	63792	2	Back-Up Ring	X2-models
10	42768	1	O-Ring	X2-models
11	301000624	1	Hus For Tryk gennemføring	X2-models
12	54590	1	Forskrunding	X2-models
13	5100	1	Screw M6X45	X2-models
14	32524	1	Sikringsring	X2-models
15	6557	2	Skrue, M8X16	X2-models
16	301000674	1	Slangeføring Overdel	X2-models
17	3913	4	Skrue M6X12	X2-models
18	301000625	1	Adapter	X2-models
19	301000672	1	HOSE GUIDE SLEEVE 33.2X2	X2-models
20	301000653	1	Skive	X2-models
21	301000850	1	Washer Ø2	X2-models
22	1600493	1	"Ly nkoblingsnippel 3/8" "	X2-models
23	301000662	1	HOSE REEL 30M	X2-models
24	301001179	2	BEARING BUSHING 22X 24X2	X2-models
25	301000602	1	SHEET METAL 390X262X142	X2-models
26	301000654	1	Kabeltrommel	X2-models
28	301000849	1	Leje	X2-models
29	5945	1	Skrue	X2-models
30	11565	2	Skrue Pt5X18	X2-models
31	301000780	1	Slangeføring Formonteret	X2-models
32	10028	1	Skrue	X2-models
33	301000676	1	Slangeføring Underdel	X2-models
34	43341	2	SCREW 5X30	X2-models

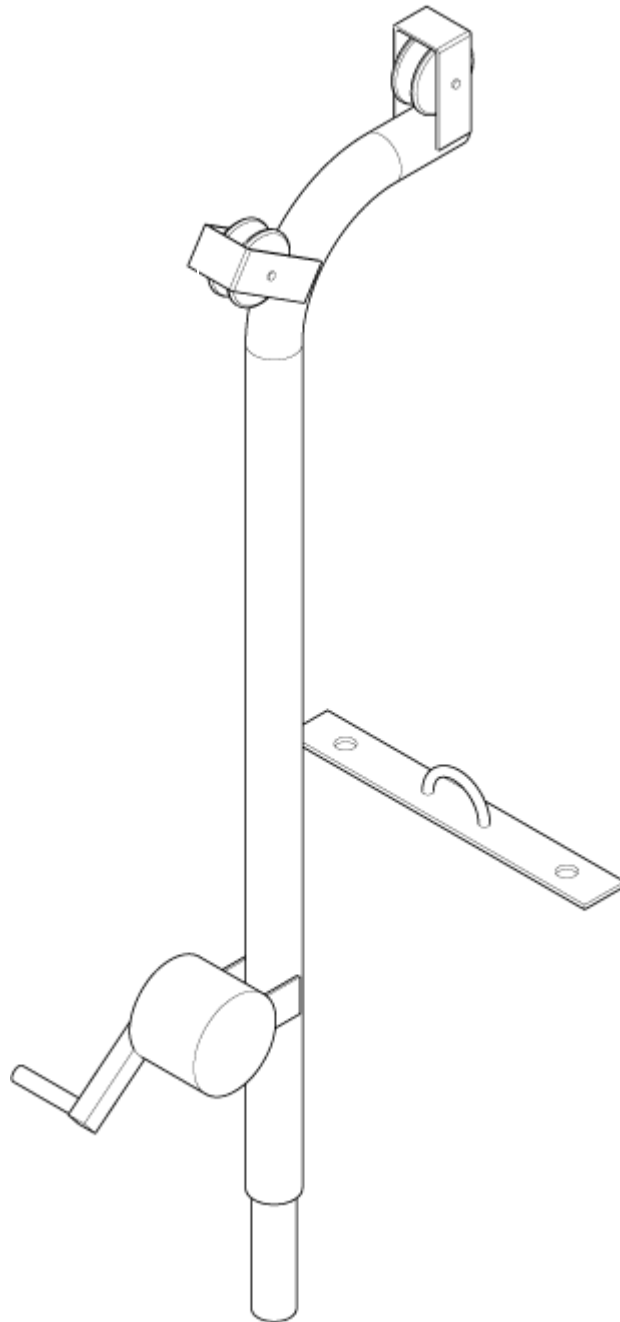
# Service crane

NEPTUNE 8

07-02-2013

StyMiste ID  
NEPTUNE820

48





# Service crane

NEPTUNE 8

07-02-2013

Stykliste ID  
NEPTUNE820

49

Pos	Vare nr.	Ant	Beskrivelse
-----	----------	-----	-------------

1	301001078	1	Service Crane
---	-----------	---	---------------

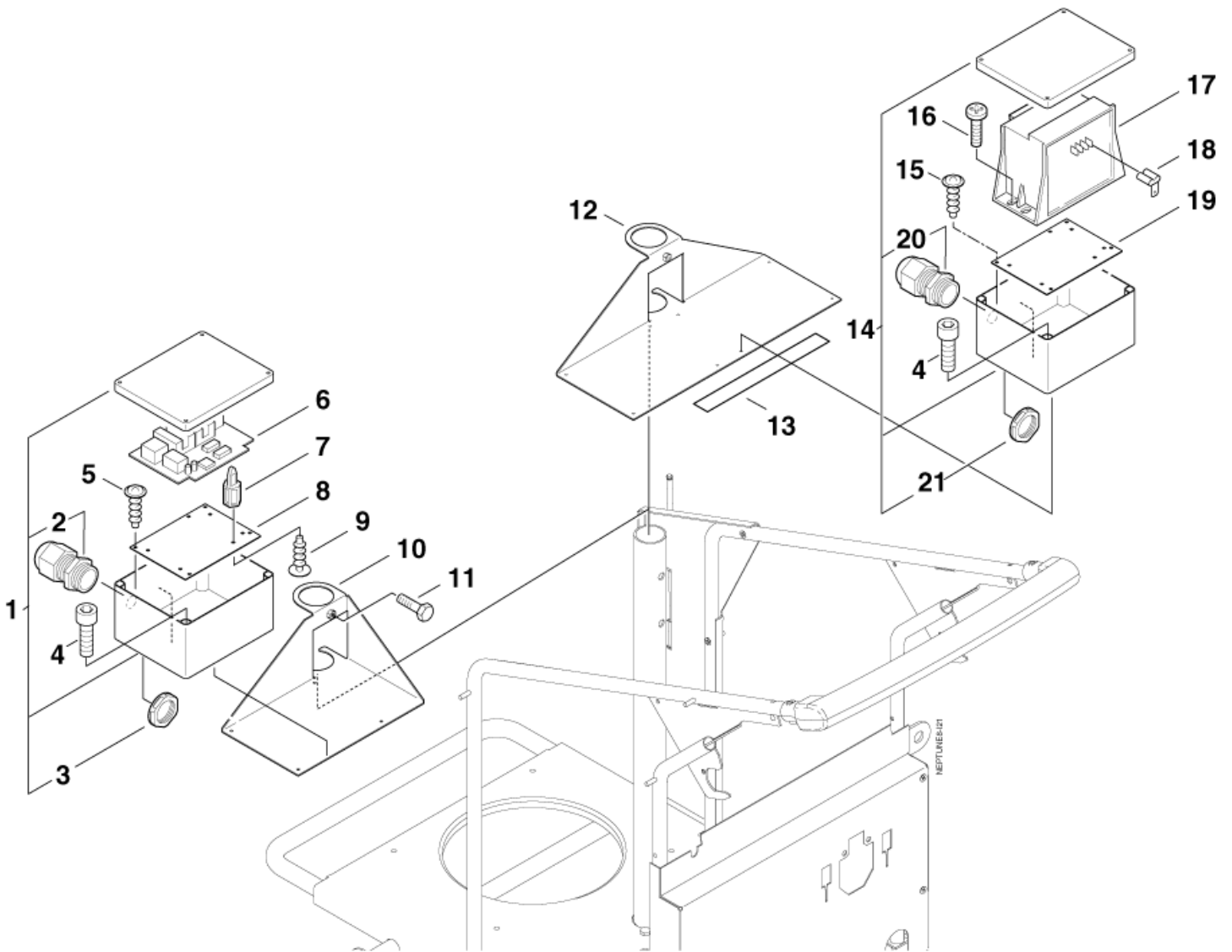
# Soft start

NEPTUNE 8

07-02-2013

StyMiste ID  
NEPTUNE821

50



# Soft start

## NEPTUNE 8

07-02-2013

StyMiste ID  
NEPTUNE821

51

Pos	Vare nr.	Ant	Beskrivelse	
1	301001824	1	HOUSING 170X140X95 PC H 95 G	PC
2	64902	1	SCREWED CABLE GLAND METRIC M20X1.5	
3	909100019	1	Møtrik	
4	3482	4	SCREW M4X16	500V = 8 pcs.
5	11254	4	SCREW 3.5X10 WN1411	
6	301001743	1	Electronic 400V	*EU*
6	301002176	1	START-UP ELECTRONIC UP TO 11KW 460-500V	*US*
7	4600771	4	Printstag Tcbs-6N	
8	301001885	1	MOUNTING PLATE 102.5X139X1.5	ST
9	909100046	4	SCREW 4X8	
10	301001798	1	PICK-UP ATTACHMENT 230X195X104	ST
11	2754	1	HEX SCREW M6X16 ISO 4017 ST 8.8/ZN	
12	301002366	1	BRACKET SWITCH BOX	500V
13	1423	1	EDGE PROTECTION	500V *SEE NOTE
14	301002390	1	HOUSING 180X130X100 PC 150/100 LG	500V
15	1813310	4	SCREW	500V
16	1813781	4	SCREW M5X8	500V
17	301001733	1	TRANSFORMER 500V/230V 500VA	500V
18	909100080	4	FLAT PIN BUSHING 6.3X0.8	500V
19	301002354	1	MOUNTING PLATE 110X160X2	500V
20	64901	1	SCREWED CABLE GLAND M16X1.5	500V
21	909100018	1	HEXAGON THIN NUT	500V

\* NOTE: PLS. INDICATE LENGTH IN METRES!

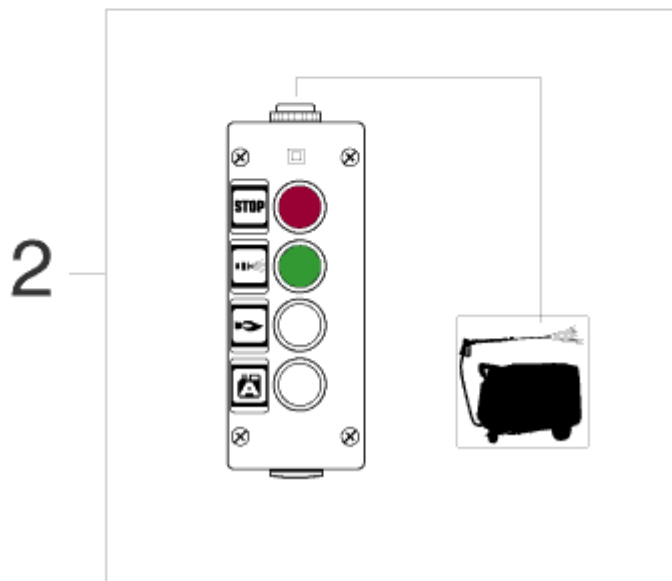
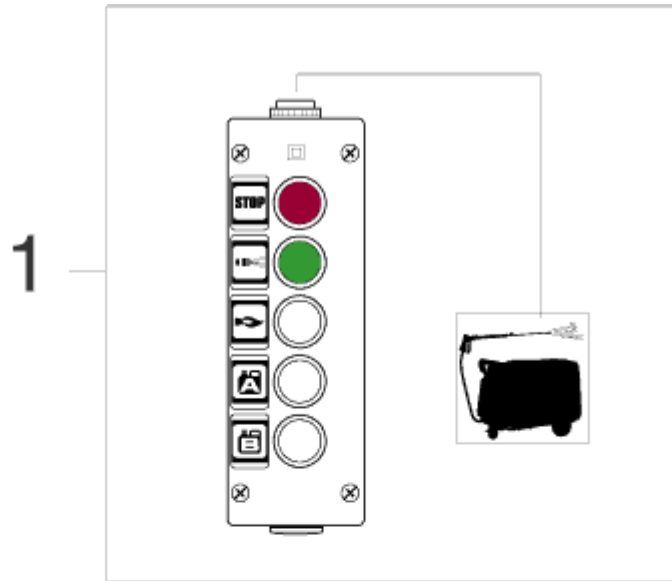
# Remote control - accessory

NEPTUNE 8

07-02-2013

StyMiste ID  
NEPTUNE578

52



# Remote control - accessory

NEPTUNE 8

07-02-2013

Stykliste ID  
NEPTUNE578

53

Pos	Vare nr.	Ant	Beskrivelse
1	301001356	1	REMOTE CONTROL 2X DETERGENT
2	301001355	1	Fjernbetjening NEPTUNE
NI	301001357	1	Electronic Unit For Remot E Control

Print for remote control

# Default accessories

NEPTUNE 8

07-02-2013

StyMiste ID  
NEPTUNE842

54

Ingen tegning

# Default accessories

NEPTUNE 8

07-02-2013

StyMiste ID  
NEPTUNE842

55

Pos	Vare nr.	Ant	Beskrivelse
-	106402190	1	Spulehåndtag Ergo 3000
0	101119496	1	Rep.Sæt Koblingsæt
0	1402064	1	Dampslange 15 M.
0	6101766	1	Dampslange 10 M.
2	101119758	1	"Tornado+ 1200 1/8" "
2	106403010	1	Tornado Plus, Uden Dyse LænGDe: 112 Cm.

# Total check kits

NEPTUNE 8

07-02-2013

StyMiste ID  
NEPTUNE840

56

Ingen tegning



# Total check kits

NEPTUNE 8

07-02-2013

StyMiste ID  
NEPTUNE840

57

Pos	Vare nr.	Ant	Beskrivelse
1	301002929	1	TOTAL CHECK N8 KIT A
1	301002930	1	TOTAL CHECK N8 KIT B

# ANBEFALEDE RESERVEDELE

NEPTUNE 8

07-02-2013

StyMiste ID  
NEPTUNE844

58

Ingen tegning

# ANBEFALEDE RESERVEDELE

NEPTUNE 8

07-02-2013

StyMiste ID  
NEPTUNE844

59

Pos	Vare nr.	Ant	Beskrivelse	
A	101117988	1	Oil Pump Sp55B 431 Kit	A
A	101117989	1	OIL PUMP SP55B 4316M KIT	A
A	101118013	1	Oliedyse 2.25 Gal/H 60	A
A	107145440	1	Strainer Valve Compl. Kit	A
A	13739	1	O-Ring	A
A	16998	1	O-Ring	A
A	1756	1	Filter Patron'	A
A	24347	1	O-Ring	A
A	24499	1	Sikring	A
A	301000905	1	Stempel	A
A	301000916	1	Isolation	A
A	301002039	1	Ventilsæt	A
A	301002051	1	Rep.Sæt Olietætning	A
A	301002052	1	Pakningssæt	A
A	301002053	1	Kit Piston Sealing Ø22	A
A	301002054	1	Stempelring	A
A	301002055	1	Kit Support Ring Ø22	A
A	301002100	1	BASE-FUEL PUMP WITH FILTER	A
A	301002101	1	Oliepumpe Med Filter	A
A	301002926	1	Filter	A
A	301150009	1	Tændelegtrode	A
A	3205	1	Filterventil	A
A	32585	1	O-Ring	A
A	33998	1	Filter	A
A	40907	1	O-Ring	A
A	43127	1	Float Valve	A
A	56519	1	O-Ring	A
A	64314	1	Rep.Sæt Ventilstempel	A
A	9868	1	O-Ring 10.0X2.5	A
B	301000729	1	Flammeføler	B
B	301001096	1	Trykgenmeføring	B
B	301001800	1	Kontakt Stempel	B
B	301002049	1	Kit Piston D20	B
B	301002050	1	Rep.Sæt Stempler	B
C	101117724	1	POWER TRANSFORMER 230/400-24/8V T70	C
C	103822313	1	Contactora 12-25A 50/60Hz 24V	C
C	107140938	1	MOTOR MEC132 230/400V 3PH 11KW	C
C	1226	1	Kobling	C
C	26817	1	Relæ	C
C	28877	1	Switch	C
C	301000541	1	Flammerør NEPTUNE 5+7	C
C	301000554	1	Drejehjul	C
C	301000678	1	Display	C

# ANBEFALEDE RESERVEDELE

NEPTUNE 8

07-02-2013

StyMiste ID  
NEPTUNE844

60

Pos	Vare nr.	Ant	Beskrivelse	
C	301000680	1	Hoved Print	C
C	301000730	1	Temperaturløser	C
C	301000731	1	Mikrokontakt	C
C	301000732	1	Termo Sikring	C
C	301000778	1	Returløb Ø30,9X34	C
C	301000859	1	Tændingskabel	C
C	301000879	1	Tændingstransformator	C
C	301000881	1	Burner Motor 0V/50-60Hz	C
C	301000882	1	Blæser Motor	C
C	301000911	1	Sikkerhedsventil	C
C	301001000	1	Doserventil	C
C	301001059	1	Transformer	C
C	301001099	1	Spiral NEPTUNE 7	C
C	301001196	1	Float Switch	C
C	301001196	1	Float Switch	C
C	301001733	1	TRANSFORMER 500V/230V 500VA	C
C	301001743	1	Electronic 400V	C
C	301001754	1	Slange	C
C	301001755	1	Slange	C
C	301001820	1	Fitting 122X92	C
C	301002123	1	Microprocessor	C
C	301002176	1	START-UP ELECTRONIC UP TO 11KW 460-500V	C
C	301002396	1	MOTOR 11KW 290V/500V	C
C	301002458	1	Reed Contact	C
C	301002458	1	Reed Contact	C
C	60141	1	Manometerslange (Højtryk)	C
C	909100380	1	Roller Bearing 6208-2Zc3	C