

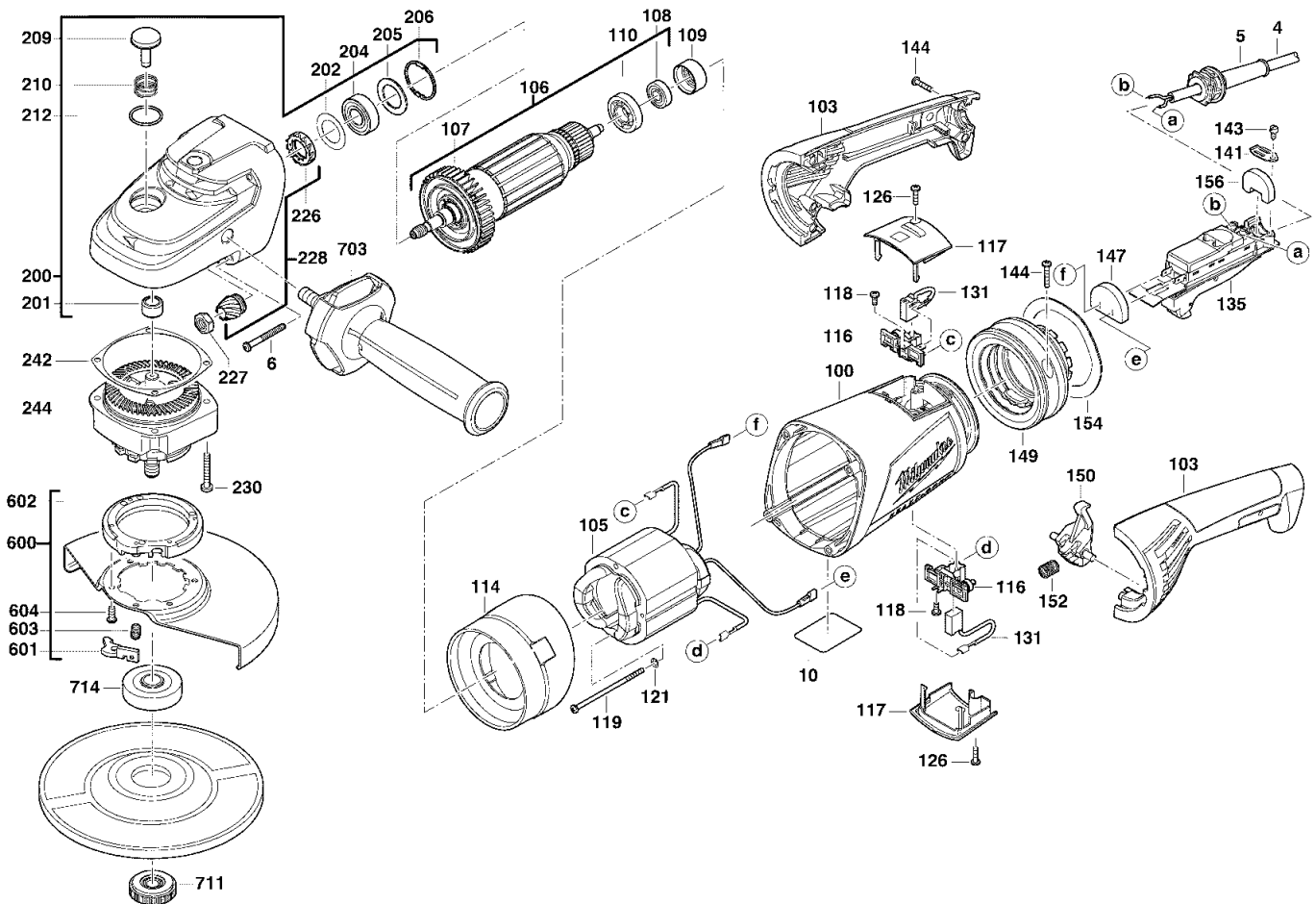
# A & M Electric Tools

Ind	Product No.	Type	Voltage	Country
a	4000402655	AGVM26-230GEX	220-240V	IN2
b	4000402667	AGVM26-230GEX	220-240V	IN2
c	4000402650	AGVM 24-230GEX	220-240V	IN2
d	4000402661	AGVM24-230GEX	220-240V	IN2
f	4000402663	AGVM24-230GEX	240V	GB2

# Angle Grinders

Milwaukee  
**AGVM 24-230 GEX**

Exp.view No.      Version    Date      Page  
**4926 4026 51    0001 31.01.08 1/2**



Pos	Index	Quanti	Article No.	Designation	Pos	Index	Quanti	Article No.	Designation
0004	abcdf.....	1	4931622899	CONNECTION CABLE	0121	abcdf.....	2	4931619992	SPRING WASHER
0004	...f.....	1	4931624580	CONNECTION CABLE	0126	abcdf.....	2	4931624537	SCREW
0005	abcdf.....	1	4931387206	PROTECTING COVER	0131	abcdf.....	1	4931395107	CARBON BRUSH SET
0006	abcdf.....	4	4931622765	SCREW	0135	a.c.....	1	4931402034	SWITCH
0010	a.....	1	4931402656	RATING PLATE	0135	.b.df.....	1	4931402277	SWITCH
0010	.b.....	1	4931402668	RATING PLATE	0141	abcdf.....	1	4931329273	CABLE COLLAR
0010	.c.....	1	4931402652	RATING PLATE	0143	abcdf.....	1	4931624537	SCREW
0010	...d.....	1	4931402662	RATING PLATE	0144	abcdf.....	6	4931618253	SCREW
0010	...f.....	1	4931402664	RATING PLATE	0147	abcdf.....	1	4931402013	DUST SEAL
0100	abcdf.....	1	4931402268	MOTOR HOUSING	0149	abcdf.....	1	4931402283	DAMPER
0103	abcdf.....	1	4931402176	SWITCH HANDLE	0150	abcdf.....	1	4931402230	LATCH
0105	abcdf.....	1	4931402628	ELECTRIC FIELD	0152	abcdf.....	1	4931402039	PRESSURE SPRING
0106	abcdf.....	1	4931402626	ARMATURE	0154	abcdf.....	1	4931402029	SPRING WASHER
0107	abcdf.....	1	4931334394	FAN	0156	abcdf.....	1	4931402286	DUST SEAL
0108	abcdf.....	1	4931341741	BALL BEARING	0200	abcdf.....	1	4931402161	GEAR BOX
0109	abcdf.....	1	4931329086	RUBBER SLEEVE	0201	abcdf.....	1	4931621981	SLEEVE
0110	abcdf.....	1	4931402219	SEAL RING	0202	abcdf.....	1	4931621629	DISC
0114	abcdf.....	1	4931402269	AIR DEFLECTOR RING	0204	abcdf.....	1	4931624305	BALL BEARING
0116	abcdf.....	2	4931329079	BRUSH HOLDER	0205	abcdf.....	1	4931622897	DISC
0117	abcdf.....	2	4931402169	COVER	0206	abcdf.....	1	4931334400	LOCKING RING
0118	abcdf.....	2	4931624538	SCREW	0209	abcdf.....	1	4931402166	LOCKING BOLT
0119	abcdf.....	2	4931331734	SCREW	0210	abcdf.....	1	4931329173	PRESSURE SPRING

Repairs/modification and testing of electric power tools are to be carried out by specialists. The safety regulations according to DIN/VDE/CEE/AFNOR and other regulations valid in the different countries are to be observed.

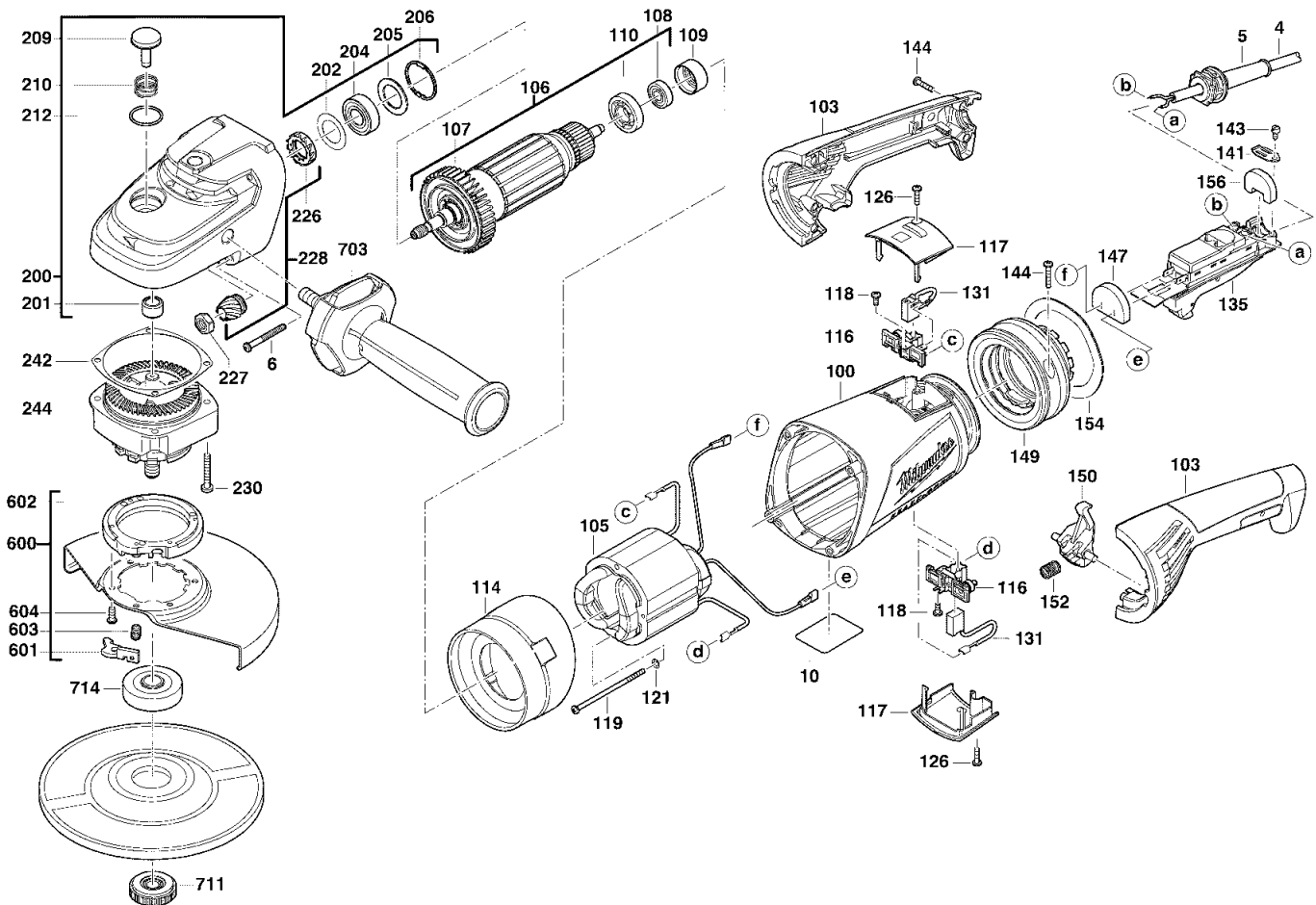
# A & M Electric Tools

Ind	Product No.	Type	Voltage	Country
a	4000402655	AGVM26-230GEX	220-240V	IN2
b	4000402667	AGVM26-230GEX	220-240V	IN2
c	4000402650	AGVM 24-230GEX	220-240V	IN2
d	4000402661	AGVM24-230GEX	220-240V	IN2
f	4000402663	AGVM24-230GEX	240V	GB2

# Angle Grinders

Milwaukee  
**AGVM 24-230 GEX**

Exp.view No.      Version    Date      Page  
**4926 4026 51    0001    31.01.08    2/2**



Pos	Index	Quanti	Article No.	Designation
0212	abcdf.....	1	4931622764	O-RING
0226	abcdf.....	1	4931329178	GREASE RETAIN.DIS
0227	abcdf.....	1	4931329494	NUT
0228	abcdf.....	1	4931402159	PINION
0230	abcdf.....	4	4931624147	SCREW
0242	abcdf.....	1	4931329150	GASKET
0244	abcdf.....	1	4931402148	DRIVE GEAR
0600	abcdf.....	1	4931402196	GUARD CAP
0601	abcdf.....	1	4931402072	CATCH LEVER
0602	abcdf.....	1	4931402063	FLANGE
0603	abcdf.....	1	4931402089	PRESSURE SPRING
0604	abcdf.....	5	4931624491	SCREW
0703	abcdf.....	1	4931398251	HANDLE
0711	abcdf.....	1	4931402358	FIXTEC-NUT
0714	abcdf.....	1	4931402435	AUTOBALANCER

Pos	Index	Quanti	Article No.	Designation
-----	-------	--------	-------------	-------------