

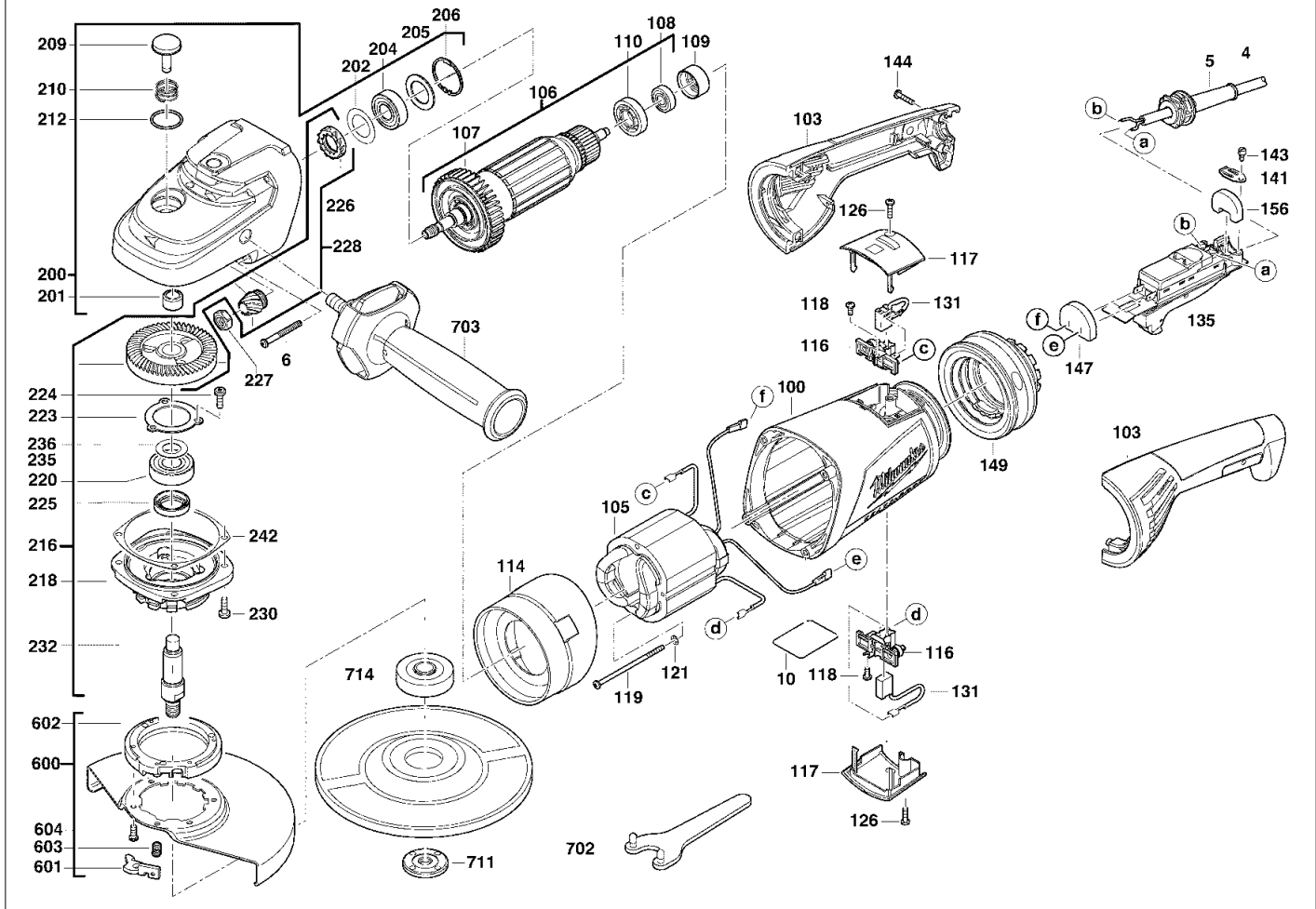
A & M Electric Tools

Angle Grinders

Ind Product No.	Type	Voltage	Country
a 4000402621	AGV24-230E	220-240V	IN2

Ind Product No.	Type	Voltage	Country

Milwaukee			
AGV 24-230 E			
Exp.view No.	Version	Date	Page
4926 4026 22	0001	31.01.08	1/2



Pos	Index	Quanti	Article No.	Designation	Pos	Index	Quanti	Article No.	Designation
0004	a.....	1	4931622899	CONNECTION CABLE	0143	a.....	1	4931624537	SCREW
0005	a.....	1	4931387206	PROTECTING COVER	0144	a.....	6	4931618253	SCREW
0006	a.....	4	4931622765	SCREW	0147	a.....	1	4931402013	DUST SEAL
0010	a.....	1	4931402623	RATING PLATE	0149	a.....	1	4931402283	DAMPER
0100	a.....	1	4931402268	MOTOR HOUSING	0156	a.....	1	4931402286	DUST SEAL
0103	a.....	1	4931402177	SWITCH HANDLE	0200	a.....	1	4931402161	GEAR BOX
0105	a.....	1	4931402628	ELECTRIC FIELD	0201	a.....	1	4931621981	SLEEVE
0106	a.....	1	4931402626	ARMATURE	0202	a.....	1	4931621629	DISC
0107	a.....	1	4931334394	FAN	0204	a.....	1	4931624305	BALL BEARING
0108	a.....	1	4931341741	BALL BEARING	0205	a.....	1	4931622897	DISC
0109	a.....	1	4931329086	RUBBER SLEEVE	0206	a.....	1	4931334400	LOCKING RING
0110	a.....	1	4931402219	SEAL RING	0209	a.....	1	4931402166	LOCKING BOLT
0114	a.....	1	4931402269	AIR DEFLECTOR RING	0210	a.....	1	4931329173	PRESSURE SPRING
0116	a.....	2	4931329079	BRUSH HOLDER	0212	a.....	1	4931622764	O-RING
0117	a.....	2	4931402169	COVER	0216	a.....	1	4931402546	DRIVE GEAR
0118	a.....	2	4931624538	SCREW	0218	a.....	1	4931402240	GEAR ENDPLATE
0119	a.....	2	4931331734	SCREW	0220	a.....	1	9170316990	BEARING
0121	a.....	2	4931619992	SPRING WASHER	0223	a.....	1	4931402150	BEARING COVER
0126	a.....	2	4931624537	SCREW	0224	a.....	3	4931624147	SCREW
0131	a.....	1	4931395107	CARBON BRUSH SET	0225	a.....	1	4931279734	RUBBER SLEEVE
0135	a.....	1	4931402034	SWITCH	0226	a.....	1	4931329178	GREASE RETAIN.DIS
0141	a.....	1	4931329273	CABLE COLLAR	0227	a.....	1	4931329494	NUT

Repairs/modification and testing of electric power tools are to be carried out by specialists. The safety regulations according to DIN/VDE/CEE/AFNOR and other regulations valid in the different countries are to be observed.

