

A & M Electric Tools

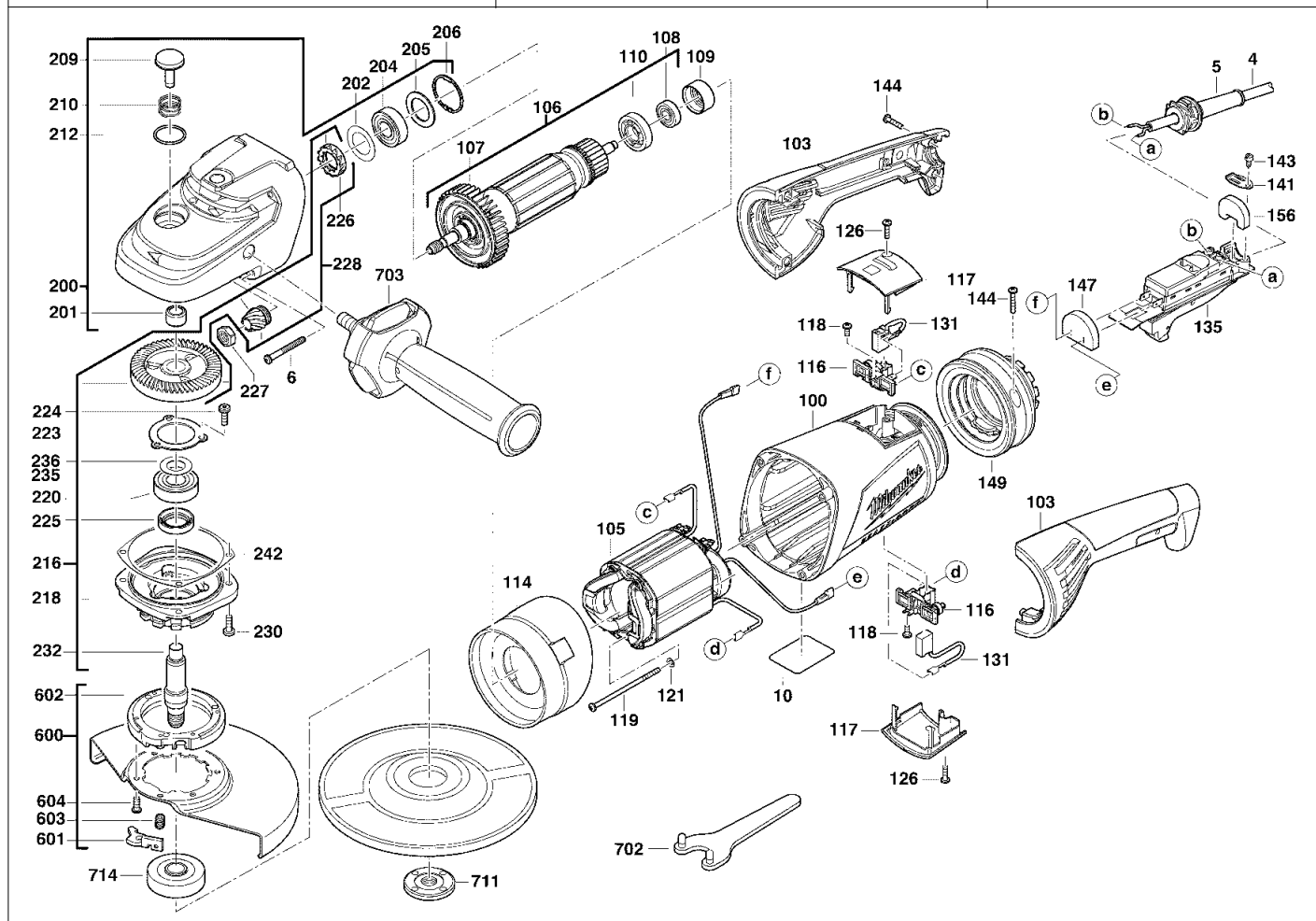
Angle Grinders

Ind	Product No.	Type	Voltage	Country
a	4000402181	AGV21-230E	220-240V	IN2
b	4000402411	AGV21-230E	220-240V	IN2

Ind	Product No.	Type	Voltage	Country

Milwaukee
AGV 21-230 E

Exp.view No. Version Date Page
4926 4022 60 0003 11.07.07 1/2



Pos	Index	Quanti	Article No.	Designation	Pos	Index	Quanti	Article No.	Designation
0004	ab.....	1	4931622899	CONNECTION CABLE	0135	.b.....	1	4931402277	SWITCH
0005	ab.....	1	4931387206	PROTECTING COVER	0141	ab.....	1	4931329273	CABLE COLLAR
0006	ab.....	4	4931622765	SCREW	0143	ab.....	1	4931624537	SCREW
0010	a.....	1	4931402291	RATING PLATE	0144	ab.....	6	4931618253	SCREW
0010	.b.....	1	4931402413	RATING PLATE	0147	ab.....	1	4931402013	DUST SEAL
0100	ab.....	1	4931402172	MOTOR HOUSING	0149	ab.....	1	4931402283	DAMPER
0103	ab.....	1	4931402177	SWITCH HANDLE	0156	ab.....	1	4931402286	DUST SEAL
0105	ab.....	1	4931402086	ELECTRIC FIELD	0200	ab.....	1	4931402161	GEAR BOX
0106	ab.....	1	4931402085	ARMATURE	0201	ab.....	1	4931621981	SLEEVE
0107	ab.....	1	4931334394	FAN	0202	ab.....	1	4931621629	DISC
0108	ab.....	1	4931341741	BALL BEARING	0204	ab.....	1	4931624305	BALL BEARING
0109	ab.....	1	4931329086	RUBBER SLEEVE	0205	ab.....	1	4931622897	DISC
0110	ab.....	1	4931329084	SEAL RING	0206	ab.....	1	4931334400	LOCKING RING
0114	ab.....	1	4931402271	AIR DEFLECTOR RING	0209	ab.....	1	4931402166	LOCKING BOLT
0116	ab.....	2	4931329079	BRUSH HOLDER	0210	ab.....	1	4931329173	PRESSURE SPRING
0117	ab.....	2	4931402169	COVER	0212	ab.....	1	4931622764	O-RING
0118	ab.....	2	4931624538	SCREW	0216	ab.....	1	4931402546	DRIVE GEAR
0119	ab.....	2	4931329170	SCREW	0218	ab.....	1	4931402240	GEAR ENDPLATE
0121	ab.....	2	4931619992	SPRING WASHER	0220	ab.....	1	9170316990	BEARING
0126	ab.....	2	4931624537	SCREW	0223	ab.....	1	4931402150	BEARING COVER
0131	ab.....	1	4931369479	CARBON BRUSH SET	0224	ab.....	3	4931624147	SCREW
0135	a.....	1	4931402034	SWITCH	0225	ab.....	1	4931279734	RUBBER SLEEVE

Repairs/modification and testing of electric power tools are to be carried out by specialists. The safety regulations according to DIN/VDE/CEE/AFNOR and other regulations valid in the different countries are to be observed.

