

A & M Electric Tools

Angle Grinders

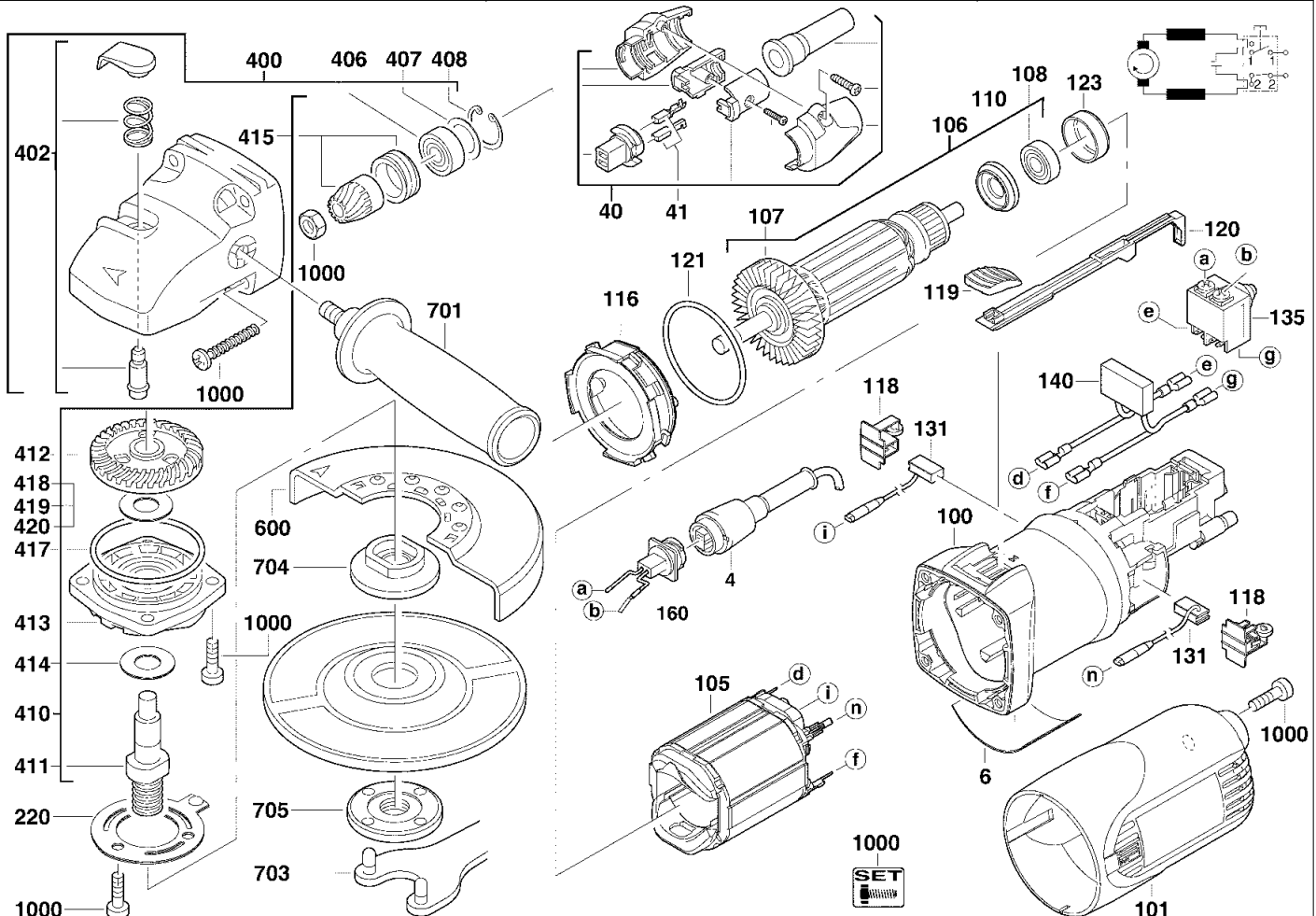
Milwaukee

AG 8-115 Q

Exp.view No. Version Date Page
4926 4032 93 0002 28.06.06 1/2

| Ind | Product No. | Type | Voltage | Country |
|-----|-------------|----------|----------|---------|
| d | 4000403216 | AG8-115Q | 110V | GB1 |
| e | 4000403229 | AG8-115Q | 220-240V | IN2 |
| f | 4000403229 | AG8-115Q | 220-240V | GB2 |

| Ind | Product No. | Type | Voltage | Country |
|-----|-------------|----------|----------|---------|
| d | 4000403216 | AG8-115Q | 110V | GB1 |
| e | 4000403229 | AG8-115Q | 220-240V | IN2 |
| f | 4000403229 | AG8-115Q | 220-240V | GB2 |



| Pos | Index | Quanti | Article No. | Designation | Pos | Index | Quanti | Article No. | Designation |
|------|----------|--------|-------------|--------------------|------|----------|--------|-------------|-------------------|
| 0004 | d..... | 1 | 4931624186 | CONNECTION CABLE | 0123 | def..... | 1 | 4931368374 | RUBBER SLEEVE |
| 0004 | e..... | 1 | 4931624171 | CONNECTION CABLE | 0131 | def..... | 1 | 4931392612 | CARBON BRUSH SET |
| 0004 | f..... | 1 | 4931624184 | CONNECTION CABLE | 0135 | def..... | 1 | 4931391034 | SWITCH |
| 0006 | d..... | 1 | 4931403219 | RATING PLATE | 0140 | def..... | 1 | 4931391182 | CAPACITOR |
| 0006 | ef..... | 1 | 4931403231 | RATING PLATE | 0160 | d..... | 1 | 4931381202 | PLUG |
| 0040 | d..... | 1 | 4931380761 | REPAIR KIT | 0160 | ef..... | 1 | 4931368393 | PLUG |
| 0040 | ef..... | 1 | 4931380758 | REPAIR KIT | 0220 | def..... | 1 | 4931345965 | SPRING WASHER |
| 0041 | def..... | 1 | 4931380763 | CABLE SOCKET P./10 | 0400 | def..... | 1 | 4931368420 | GEAR BOX |
| 0100 | def..... | 1 | 4931403004 | MOTOR HOUSING | 0402 | def..... | 1 | 4931358685 | LOCK COMPLETE |
| 0101 | def..... | 1 | 4931403015 | HOUSING CAP | 0406 | def..... | 1 | 4931624360 | BALL BEARING |
| 0105 | d..... | 1 | 4931393551 | ELECTRIC FIELD | 0407 | def..... | 1 | 4931803914 | SEALING WASHER |
| 0105 | ef..... | 1 | 4931393550 | ELECTRIC FIELD | 0408 | def..... | 1 | 4931613683 | LOCKING RING |
| 0106 | d..... | 1 | 4931403220 | ARMATURE | 0410 | def..... | 1 | 4931358682 | DRIVE GEAR |
| 0106 | ef..... | 1 | 4931403212 | ARMATURE | 0411 | def..... | 1 | 4931369770 | SPINDLE |
| 0107 | def..... | 1 | 4931368347 | FAN | 0412 | def..... | 1 | 4931385587 | BEVEL GEAR PAIR |
| 0108 | def..... | 1 | 4931902888 | BALL BEARING | 0413 | def..... | 1 | 4931378310 | BEARING END PLATE |
| 0110 | def..... | 1 | 4931385658 | INSULATING DISC | 0414 | def..... | 1 | 4931623480 | DISC |
| 0116 | def..... | 1 | 4931368332 | AIR DEFLECTOR RING | 0415 | def..... | 1 | 4931385587 | BEVEL GEAR PAIR |
| 0118 | def..... | 2 | 4931368633 | BRUSH HOLDER | 0417 | def..... | 1 | 4931623590 | SEAL RING |
| 0119 | def..... | 1 | 4931368501 | SLIDER | 0418 | def..... | 1 | 4931808473 | DISC |
| 0120 | def..... | 1 | 4931368333 | GUIDE PIECE | 0419 | def..... | 1 | 4931925940 | DISC |
| 0121 | def..... | 1 | 4931623590 | SEAL RING | 0420 | def..... | 1 | 4931624256 | DISC |

Repairs/modification and testing of electric power tools are to be carried out by specialists. The safety regulations according to DIN/VDE/CEE/AFNOR and other regulations valid in the different countries are to be observed.

A & M Electric Tools

Angle Grinders

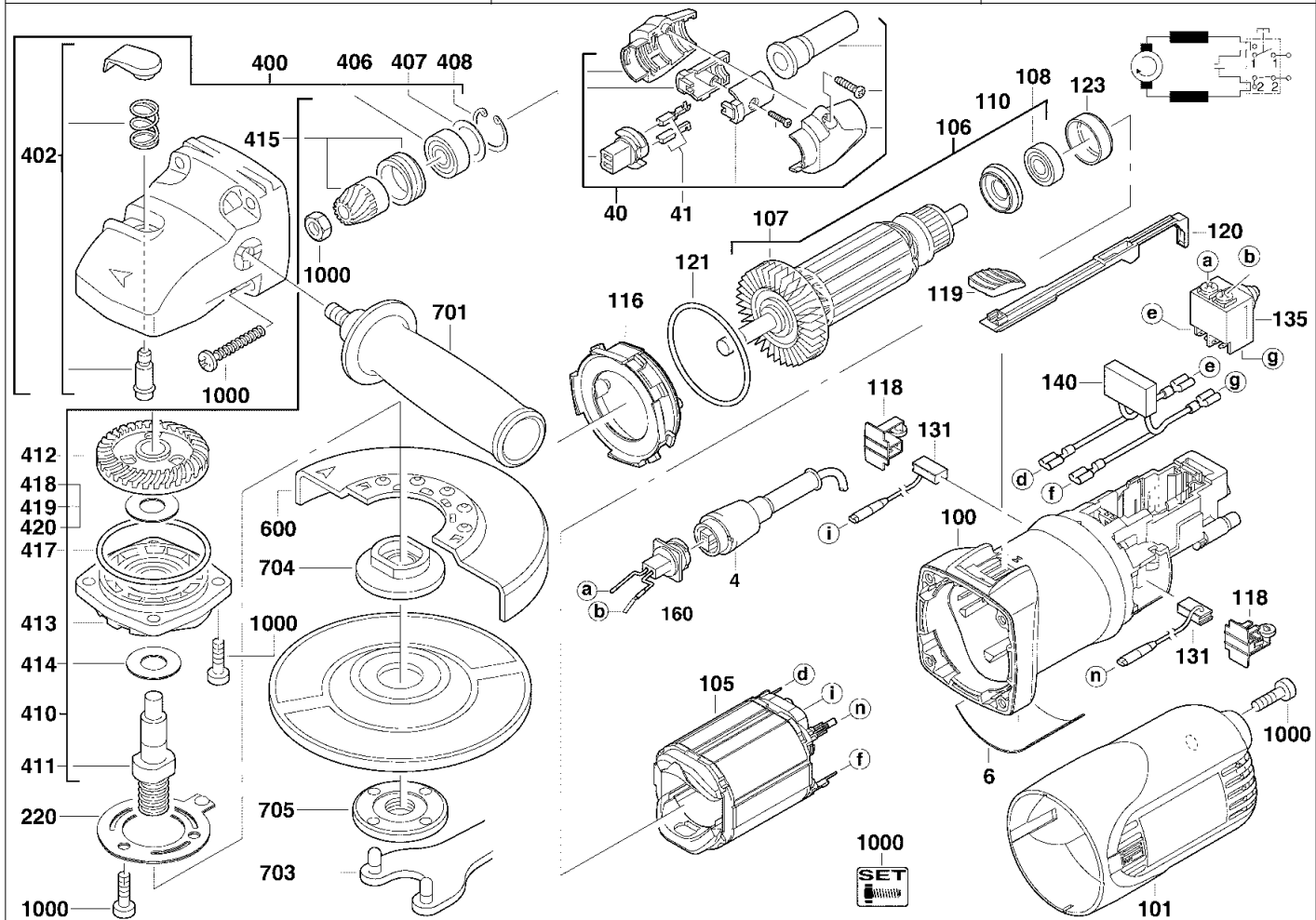
Milwaukee

AG 8-115 Q

Exp.view No. 4926 4032 93 Version 0002 Date 28.06.06 Page 2/2

| Ind | Product No. | Type | Voltage | Country |
|-----|-------------|----------|----------|---------|
| d | 4000403216 | AG8-115Q | 110V | GB1 |
| e | 4000403229 | AG8-115Q | 220-240V | IN2 |
| f | 4000403229 | AG8-115Q | 220-240V | GB2 |

| Ind | Product No. | Type | Voltage | Country |
|-----|-------------|----------|----------|---------|
| d | 4000403216 | AG8-115Q | 110V | GB1 |
| e | 4000403229 | AG8-115Q | 220-240V | IN2 |
| f | 4000403229 | AG8-115Q | 220-240V | GB2 |



| Pos | Index | Quanti | Article No. | Designation |
|------|----------|--------|-------------|-----------------|
| 0600 | def..... | 1 | 4931378167 | GUARD CAP |
| 0701 | def..... | 1 | 4932279371 | HANDLE |
| 0703 | def..... | 1 | 4932367712 | PIN SPANNER |
| 0704 | def..... | 1 | 4932263299 | CLAMPING FLANGE |
| 0705 | def..... | 1 | 4932345628 | FLANGE NUT |
| 1000 | def..... | 1 | 4931358683 | BOLT SET |

| Pos | Index | Quanti | Article No. | Designation |
|-----|-------|--------|-------------|-------------|
| | | | | |
| | | | | |
| | | | | |
| | | | | |
| | | | | |

Repairs/modification and testing of electric power tools are to be carried out by specialists. The safety regulations according to DIN/VDE/CEE/AFNOR and other regulations valid in the different countries are to be observed.