

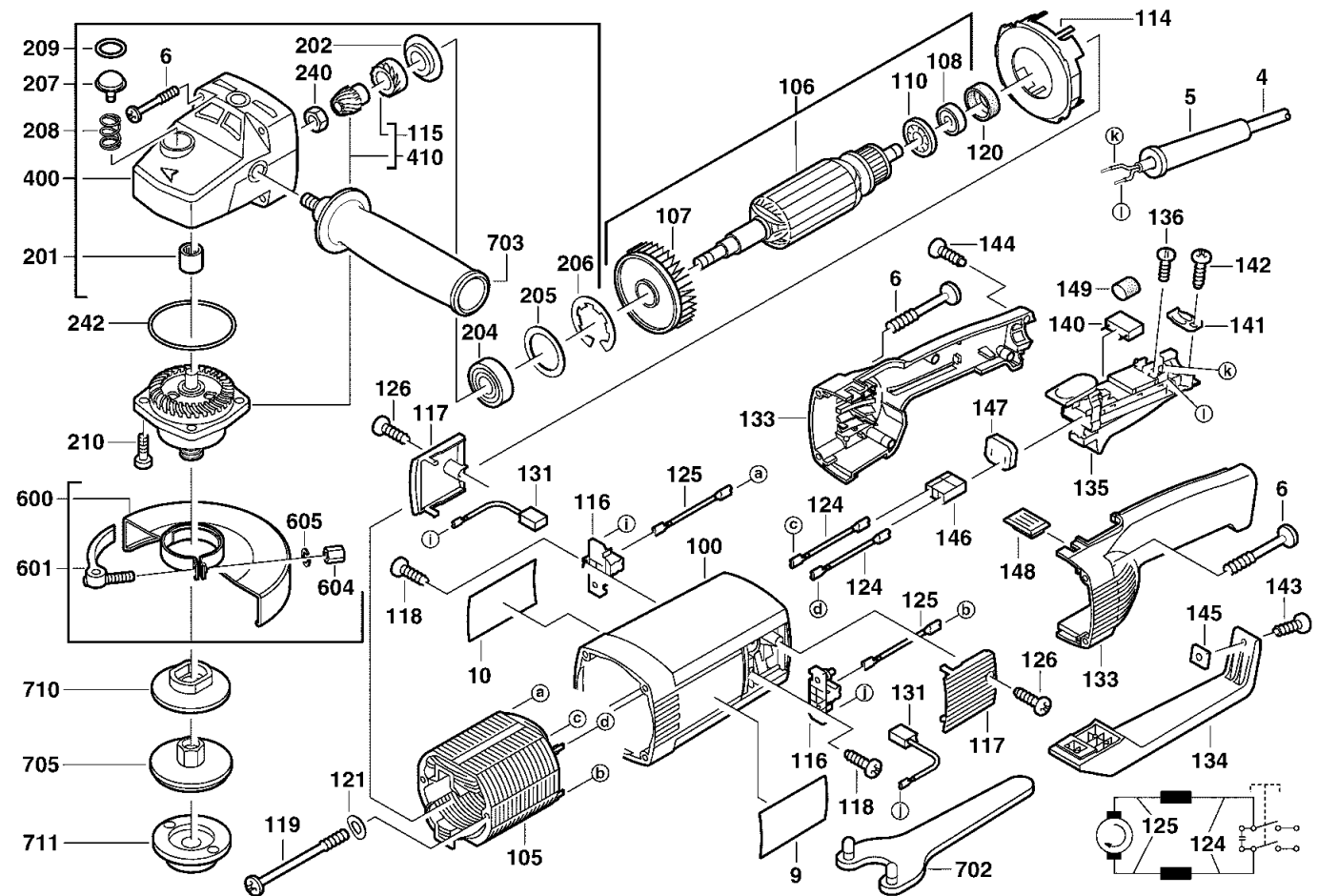
A & M Electric Tools

Ind	Product No.	Type	Voltage	Country
a	4000393858	AG23-230	230V	IN2
b	4000393861	AG23-230	230V	IN2
c	4000393863	AG23-230	240V	GB2
d	4000393865	AG23-230	110V	GB1
e	4000393852	AG23-230	240V	AUS
f	4000393377	AG23-230	230V	F

Angle Grinders

Milwaukee
AG 23-230

Exp.view No. Version Date Page
4926 3933 76 0002 26.01.06 1/2



Pos	Index	Quanti	Article No.	Designation	Pos	Index	Quanti	Article No.	Designation
0004	ab...f.....	1	4931622899	CONNECTION CABLE	0108	abcdef.....	1	4931341741	BALL BEARING
0004	...c.....	1	4931623827	CONNECTION CABLE	0110	abcdef.....	1	4931329084	SEAL RING
0004	...d.....	1	4931624290	CONNECTION CABLE	0114	abcdef.....	1	4931326156	AIR DEFLECTOR RING
0004	...e.....	1	4931624340	CONNECTION CABLE	0115	abcdef.....	1	4931329118	GREASE RETAIN.DISC
0005	abc.ef.....	1	4931217556	CABLE ENTRY SLEEVE	0116	abcdef.....	2	4931329079	BRUSH HOLDER
0005	...d.....	1	4931217557	CABLE ENTRY SLEEVE	0117	abcdef.....	2	4931378798	COVER
0006	abcd.f.....	8	4931622765	SCREW	0118	abcdef.....	2	4931624538	SCREW
0006	...e.....	4	4931622765	SCREW	0119	abcdef.....	2	4931329170	SCREW
0009	abcdef.....	1	4931378792	TYPE PLATE	0120	abcdef.....	1	4931329086	RUBBER SLEEVE
0010	a.....	1	4931393859	RATING PLATE	0121	abcdef.....	2	4931619992	SPRING WASHER
0010	.b.....	1	4931393862	RATING PLATE	0124	abc.ef.....	2	4931622785	WIRE
0010	...c.....	1	4931393864	RATING PLATE	0124	...d.....	2	4931623063	CONNECTION CABLE
0010	...d.....	1	4931393866	RATING PLATE	0125	abc.ef.....	2	4931622831	WIRE
0010	...e.....	1	4931393853	RATING PLATE	0125	...d.....	2	4931334528	WIRE
0010	...f.....	1	4931393378	RATING PLATE	0126	abcdef.....	2	4931013472	SCREW
0100	abcdef.....	1	4931362790	MOTOR HOUSING	0131	ab...f.....	1	4931369479	CARBON BRUSH SET
0105	abc.ef.....	1	4931393353	ELECTRIC FIELD	0131	...d.....	1	4931392591	CARBON BRUSH SET
0105	...d.....	1	4931393407	ELECTRIC FIELD	0133	abcdef.....	1	4931362785	HANDLE
0106	ab...f.....	1	4931393354	ARMATURE	0134	abcd.f.....	1	4931334465	YOKE
0106	...c.e.....	1	4931393386	ARMATURE	0134	...e.....	1	4931383035	YOKE
0106	...d.....	1	4931393408	ARMATURE	0135	a.c.....	1	4931383044	SWITCH
0107	abcdef.....	1	4931334394	FAN	0135	.b..ef.....	1	4931378784	SWITCH

Repairs/modification and testing of electric power tools are to be carried out by specialists. The safety regulations according to DIN/VDE/CEE/AFNOR and other regulations valid in the different countries are to be observed.

A & M Electric Tools

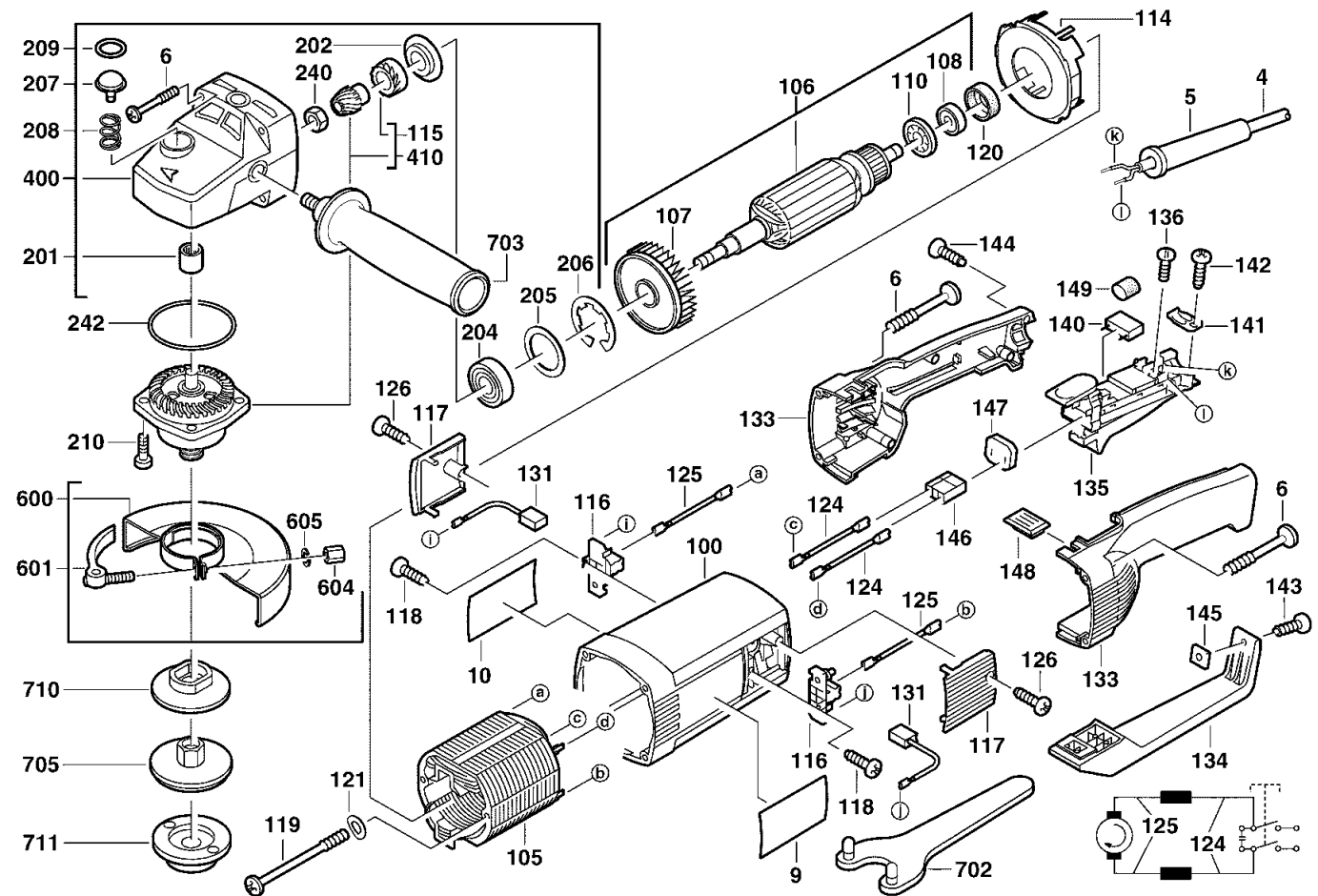
Ind	Product No.	Type	Voltage	Country
a	4000393858	AG23-230	230V	IN2
b	4000393861	AG23-230	230V	IN2
c	4000393863	AG23-230	240V	GB2
d	4000393865	AG23-230	110V	GB1
e	4000393852	AG23-230	240V	AUS
f	4000393377	AG23-230	230V	F

Angle Grinders

Milwaukee

AG 23-230

Exp.view No. Version Date Page
4926 3933 76 0002 26.01.06 2/2



Pos	Index	Quanti	Article No.	Designation	Pos	Index	Quanti	Article No.	Designation
0135	...d.....	1	9170317750	SWITCH	0240	abcdef.....	1	4931329494	NUT
0136	abcdef.....	2	4931940611	SCREW	0242	abcde.....	1	4931329150	GASKET
0140	abcd.f.....	1	4931329272	CAPACITOR	0242f.....	1	9170317010	O-RING
0141	abc.ef.....	1	4931329273	CABLE COLLAR	0400	abcdef.....	1	4931378799	GEAR BOX
0141	...d.....	1	4931334597	CABLE COLLAR	0410	abcde.....	1	4931385668	DRIVE GEAR
0142	abcdef.....	1	4931013472	SCREW	0410f.....	1	4931385668	DRIVE GEAR
0143	abcdef.....	1	4931622933	SCREW	0600	abcdef.....	1	4931383906	GUARD CAP
0144	abcdef.....	5	4931618253	SCREW	0601	abcdef.....	1	4931383175	TENSION LEVER
0145	abcdef.....	1	4931300231	CLAMPING PIECE	0604	abcdef.....	1	4931615586	NUT
0146	abcdef.....	1	4931329171	SWITCH MOUNTING	0605	abcdef.....	1	4931616932	SPRING WASHER
0147	abcdef.....	1	4931329503	SEAL RING	0702	a...ef.....	1	4932367712	PIN SPANNER
0148	abcdef.....	1	4931329122	SUPPORT	0702	.bcd.....	1	4932367712	PIN SPANNER
0149	abcd.f.....	1	4931341889	SPRING	0703	abcdef.....	1	4932209035	HANDLE
0201	abcdef.....	1	4931621981	SLEEVE	0705e.....	1	4932351632	CLAMPING FLANGE
0202	abcdef.....	1	4931621629	DISC	0710	abcd.f.....	1	4932263299	CLAMPING FLANGE
0204	abcdef.....	1	4931624305	BALL BEARING	0710e.....	1	4932351632	CLAMPING FLANGE
0205	abcdef.....	1	4931622897	DISC	0711	abcdef.....	1	4932345629	FLANGE NUT
0206	abcdef.....	1	4931334400	LOCKING RING					
0207	abcdef.....	1	4931329107	LOCKING BOLT					
0208	abcdef.....	1	4931329173	PRESSURE SPRING					
0209	abcdef.....	1	4931622764	O-RING					
0210	abcdef.....	4	4931624147	SCREW					

Repairs/modification and testing of electric power tools are to be carried out by specialists. The safety regulations according to DIN/VDE/CEE/AFNOR and other regulations valid in the different countries are to be observed.