

A & M Electric Tools

Angle Grinders

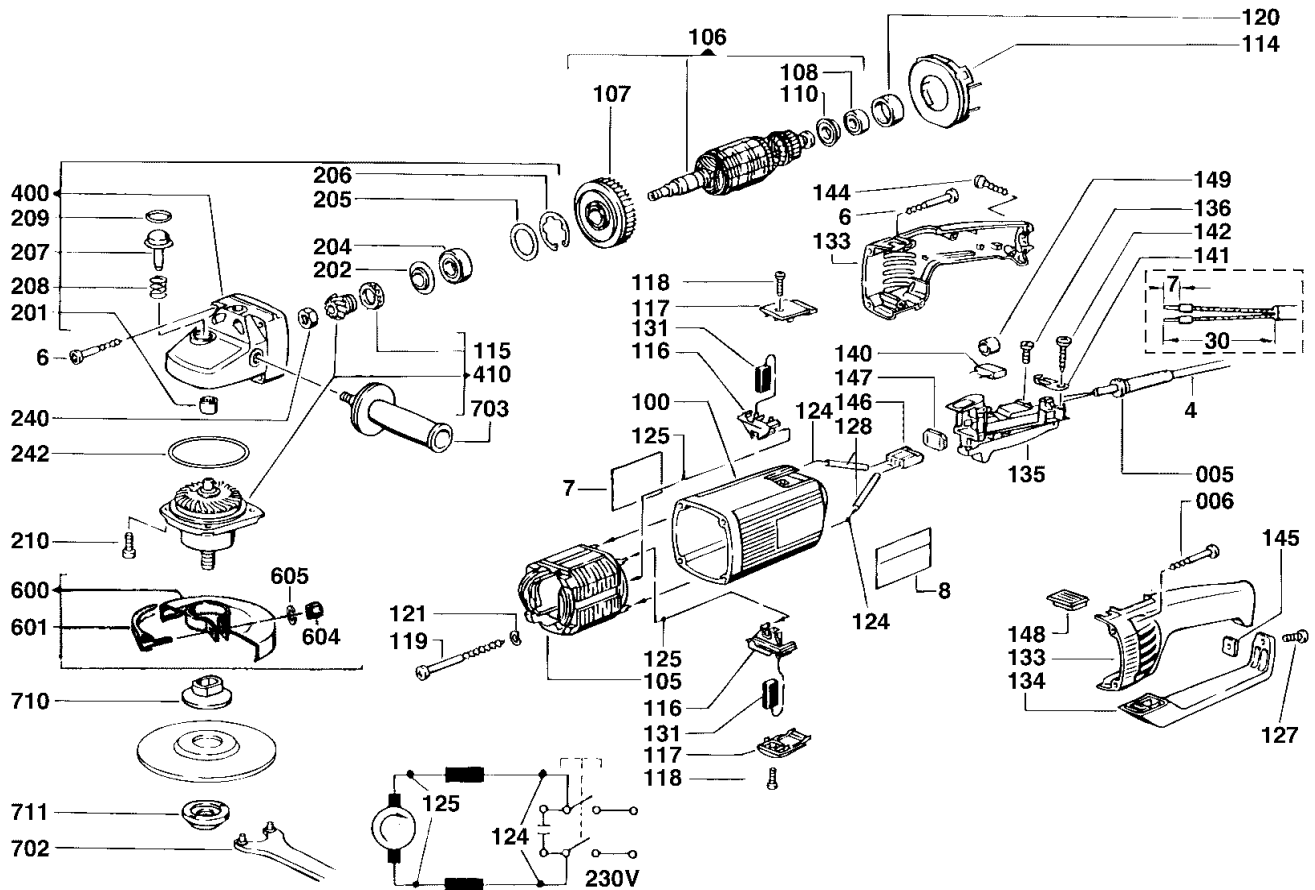
Ind	Product No.	Type	Voltage	Country
a	4000383901	AG20-230	220-240V	IN2
b	4000383916	AG20-230	220-240V	IN2

Ind	Product No.	Type	Voltage	Country

Milwaukee

AG 20-230

Exp.view No. Version Date Page
4926 3839 04 0004 14.03.05 1/2



Pos	Index	Quanti	Article No.	Designation	Pos	Index	Quanti	Article No.	Designation
0004	ab.....	1	4931623311	CONNECTION CABLE	0127	ab.....	1	4931622933	SCREW
0005	ab.....	1	4931217556	CABLE ENTRY SLEEVE	0128	ab.....	2	4931334586	INSULATING HOSE
0006	ab.....	8	4931622765	SCREW	0131	ab.....	1	4931369476	CARBON BRUSH
0007	a.....	1	4931383910	RATING PLATE	0133	ab.....	1	4931362785	HANDLE
0007	.b.....	1	4931383919	RATING PLATE	0134	ab.....	1	4931334465	YOKE
0008	ab.....	1	4931378792	TYPE PLATE	0135	a.....	1	4931383044	SWITCH
0100	ab.....	1	4931362783	MOTOR HOUSING	0135	.b.....	1	4931378784	SWITCH
0105	ab.....	1	4931313392	ELECTRIC FIELD	0136	ab.....	2	4931940611	SCREW
0106	ab.....	1	4931334396	ARMATURE	0140	ab.....	1	4931329272	CAPACITOR
0107	ab.....	1	4931334394	FAN	0141	ab.....	1	4931329273	CABLE COLLAR
0108	ab.....	1	4931805312	BALL BEARING	0142	ab.....	1	4931013472	SCREW
0110	ab.....	1	4931259633	SEAL RING	0144	ab.....	5	4931618253	SCREW
0114	ab.....	1	4931326156	AIR DEFLECTOR RING	0145	ab.....	1	4931300231	CLAMPING PIECE
0115	ab.....	1	4931329118	GREASE RETAIN.DISC	0146	ab.....	1	4931329171	SWITCH MOUNTING
0116	ab.....	2	4931383281	BRUSH HOLDER	0147	ab.....	1	4931329503	SEAL RING
0117	ab.....	2	4931383888	COVER	0148	ab.....	1	4931329122	SUPPORT
0118	ab.....	2	4931621528	SCREW	0149	ab.....	1	4931341889	SPRING
0119	ab.....	2	4931259535	SCREW	0201	ab.....	1	4931621981	SLEEVE
0120	ab.....	1	4931322656	RUBBER SLEEVE	0202	ab.....	1	4931621629	DISC
0121	ab.....	2	4931619992	SPRING WASHER	0204	ab.....	1	4931624305	BALL BEARING
0124	ab.....	2	4931622785	WIRE	0205	ab.....	1	4931622897	DISC
0125	ab.....	2	4931622297	WIRE	0206	ab.....	1	4931334400	LOCKING RING

Repairs/modification and testing of electric power tools are to be carried out by specialists. The safety regulations according to DIN/VDE/CEE/AFNOR and other regulations valid in the different countries are to be observed.

