

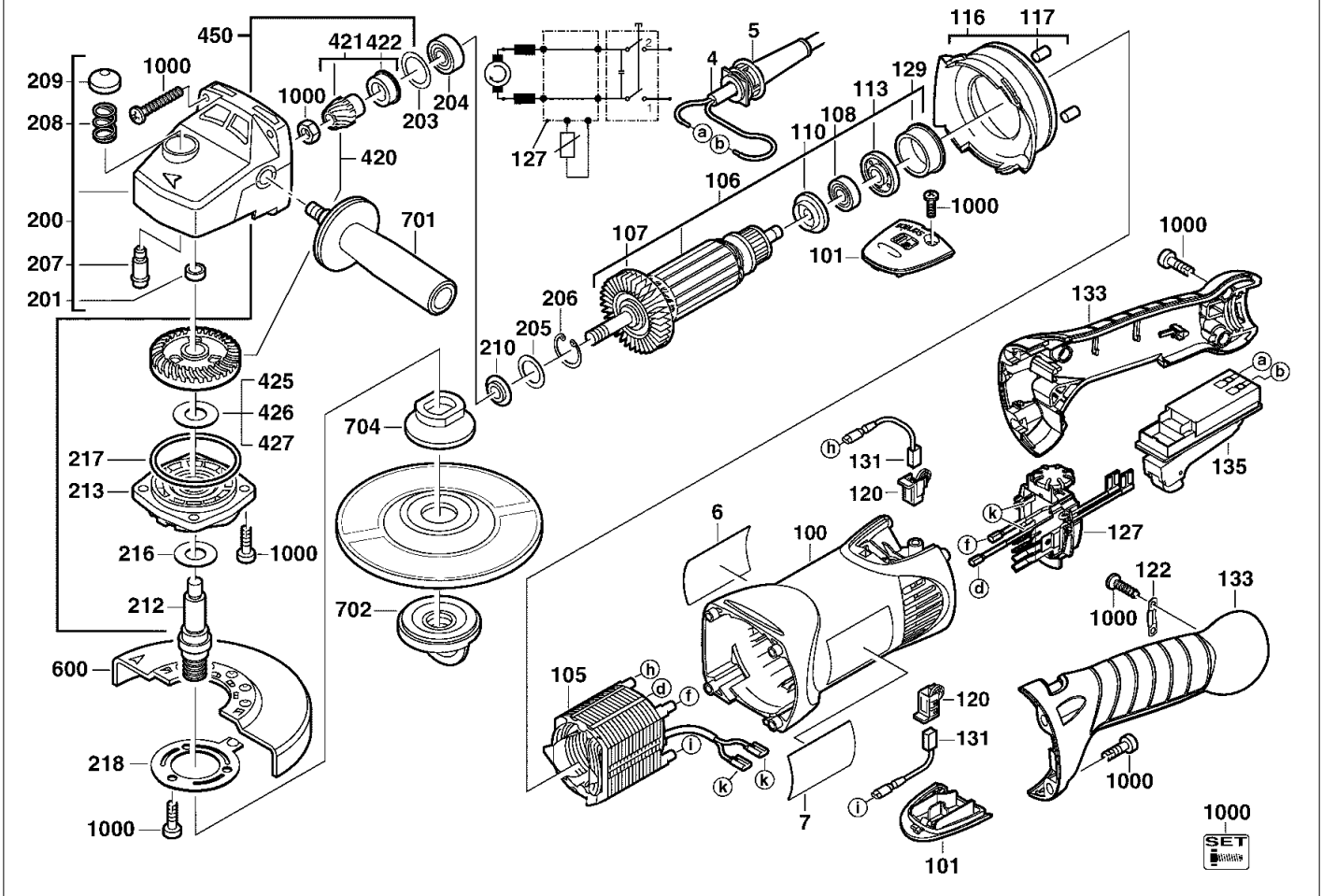
# A & M Electric Tools

# Angle Grinders

Ind	Product No.	Type	Voltage	Country
b	4000381463	AG16-125XE	220-240V	IN2
c	4000391641	AG16-125XE	220-240V	IN2

Ind	Product No.	Type	Voltage	Country

Milwaukee		
AG 16-125 XE		
Exp.view No.	Version	Date
4926 3814 64	0004	04.10.04
Page 1/2		



Pos	Index	Quanti	Article No.	Designation	Pos	Index	Quanti	Article No.	Designation
0004	bc.....	1	4931623311	CONNECTION CABLE	0135	.c.....	1	4931378949	SWITCH
0005	bc.....	1	4931392174	PROTECTING COVER	0200	bc.....	1	4931378964	GEAR BOX
0006	b.....	1	4931381465	RATING PLATE	0201	bc.....	1	4931912093	SLEEVE
0006	.c.....	1	4931391644	RATING PLATE	0203	bc.....	1	4931362085	WASHER
0007	bc.....	1	4931378806	TYPE PLATE	0204	bc.....	1	4931368037	GROOVED BALL BEAR.
0100	bc.....	1	4931378768	MOTOR HOUSING	0205	bc.....	1	4931622761	DISC
0101	bc.....	2	4931378566	COVER	0206	bc.....	1	4931616614	LOCKING RING
0105	bc.....	1	4931378394	ELECTRIC FIELD	0207	bc.....	1	4931326929	LOCKING BOLT
0106	bc.....	1	4931362615	ARMATURE	0208	bc.....	1	4931326942	PRESSURE SPRING
0107	bc.....	1	4931341088	FAN	0209	bc.....	1	4931326930	PUSH-BUTTON
0108	bc.....	1	4931624360	BALL BEARING	0210	bc.....	1	4931624287	WASHER
0110	bc.....	1	4931271823	INSULATING DISC	0212	bc.....	1	4931369770	SPINDLE
0113	bc.....	1	4931307147	MAGNETIC DISC	0213	bc.....	1	4931378310	BEARING END PLATE
0116	bc.....	1	4931378135	AIR DEFLECTOR RING	0216	bc.....	1	4931623480	DISC
0117	bc.....	2	4931271824	HOLDING-DOWN DEVIC	0217	bc.....	1	4931623590	SEAL RING
0120	bc.....	2	4931382268	BRUSH HOLDER	0218	bc.....	1	4931345965	SPRING WASHER
0122	bc.....	1	4931256500	CABLE COLLAR	0420	bc.....	1	4931369937	BEVEL GEAR PAIR
0127	bc.....	1	4931378392	ELECTRONIC ELEMENT	0421	bc.....	1	4931369934	PINION
0129	bc.....	1	4931326953	BEARING SLEEVE	0422	bc.....	1	4931369774	SEAL RING
0131	bc.....	1	4931381391	CARBON BRUSH SET	0425	bc.....	1	4931808473	DISC
0133	bc.....	1	4931378765	HANDLE	0426	bc.....	1	4931925940	DISC
0135	b.....	1	4931378983	SWITCH	0427	bc.....	1	4931624256	DISC

Repairs/modification and testing of electric power tools are to be carried out by specialists. The safety regulations according to DIN/VDE/CEE/AFNOR and other regulations valid in the different countries are to be observed.

# A & M Electric Tools

# Angle Grinders

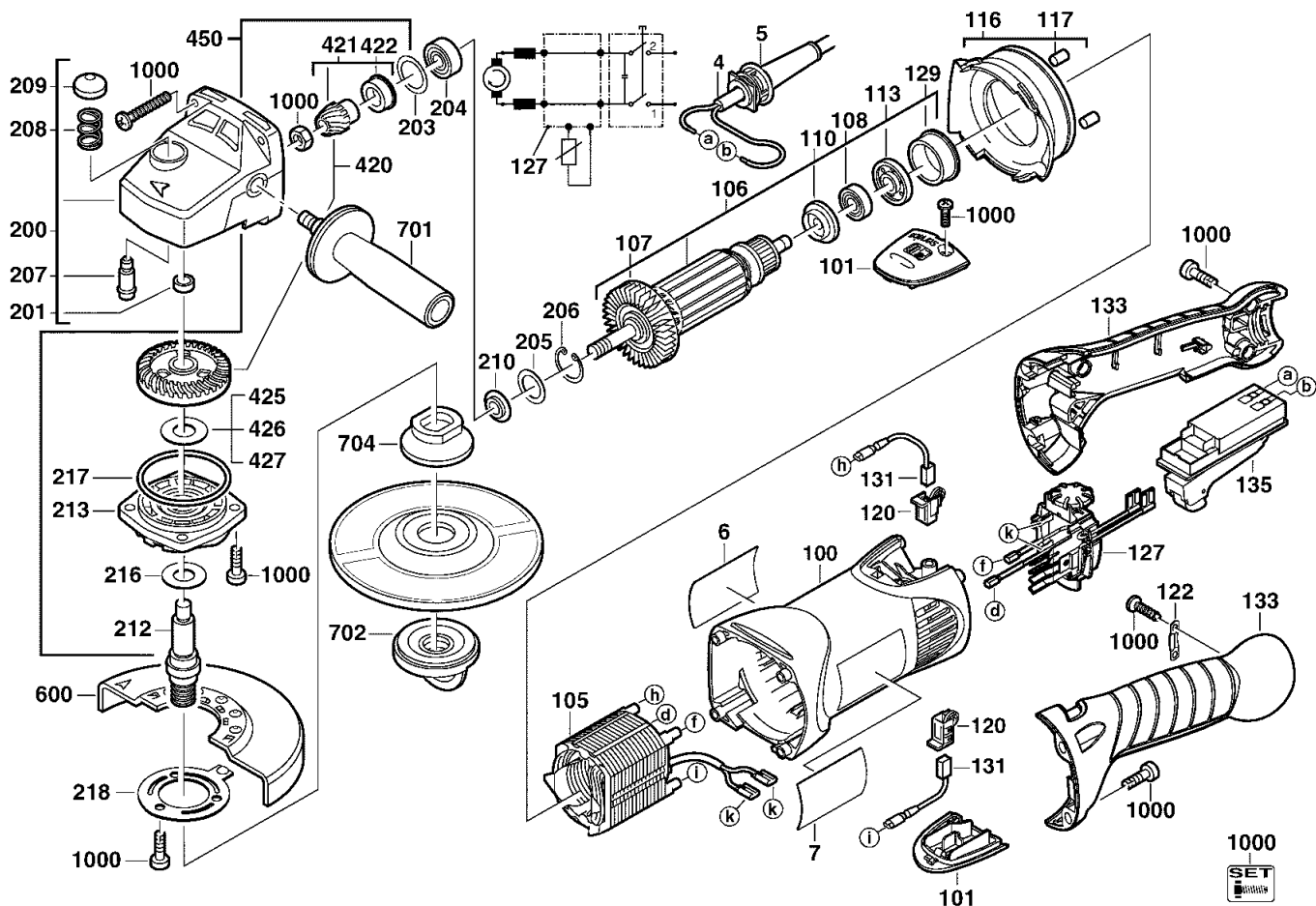
Milwaukee

## AG 16-125 XE

Exp.view No.      Version    Date      Page  
 4926 3814 64    0004    04.10.04    2/2

Ind	Product No.	Type	Voltage	Country
b	4000381463	AG16-125XE	220-240V	IN2
c	4000391641	AG16-125XE	220-240V	IN2

Ind	Product No.	Type	Voltage	Country



Pos	Index	Quanti	Article No.	Designation
0450	bc.....	1	4931391476	DRIVE GEAR
0600	bc.....	1	4931378168	GUARD CAP
0701	bc.....	1	4932279371	HANDLE
0702	bc.....	1	4932358225	FIXTEC NUT
0704	bc.....	1	4932263299	CLAMPING FLANGE
1000	bc.....	1	4931378570	BOLT SET

Pos	Index	Quanti	Article No.	Designation

Repairs/modification and testing of electric power tools are to be carried out by specialists. The safety regulations according to DIN/VDE/CEE/AFNOR and other regulations valid in the different countries are to be observed.