

# A & M Electric Tools

# Angle Grinders

Ind	Product No.	Type	Voltage	Country
a	4000383676	AG10-125	220-230V	IN2
b	4000383696	AG12-125X	220-240V	IN2
c	4000383701	AG10-125	110V	GB1
d	4000385461	AG12-125X	110V	GB1
e	4000383676	AG10-125	220-230V	IN2
f	4000391081	AG12-125X	220-240V	AUS

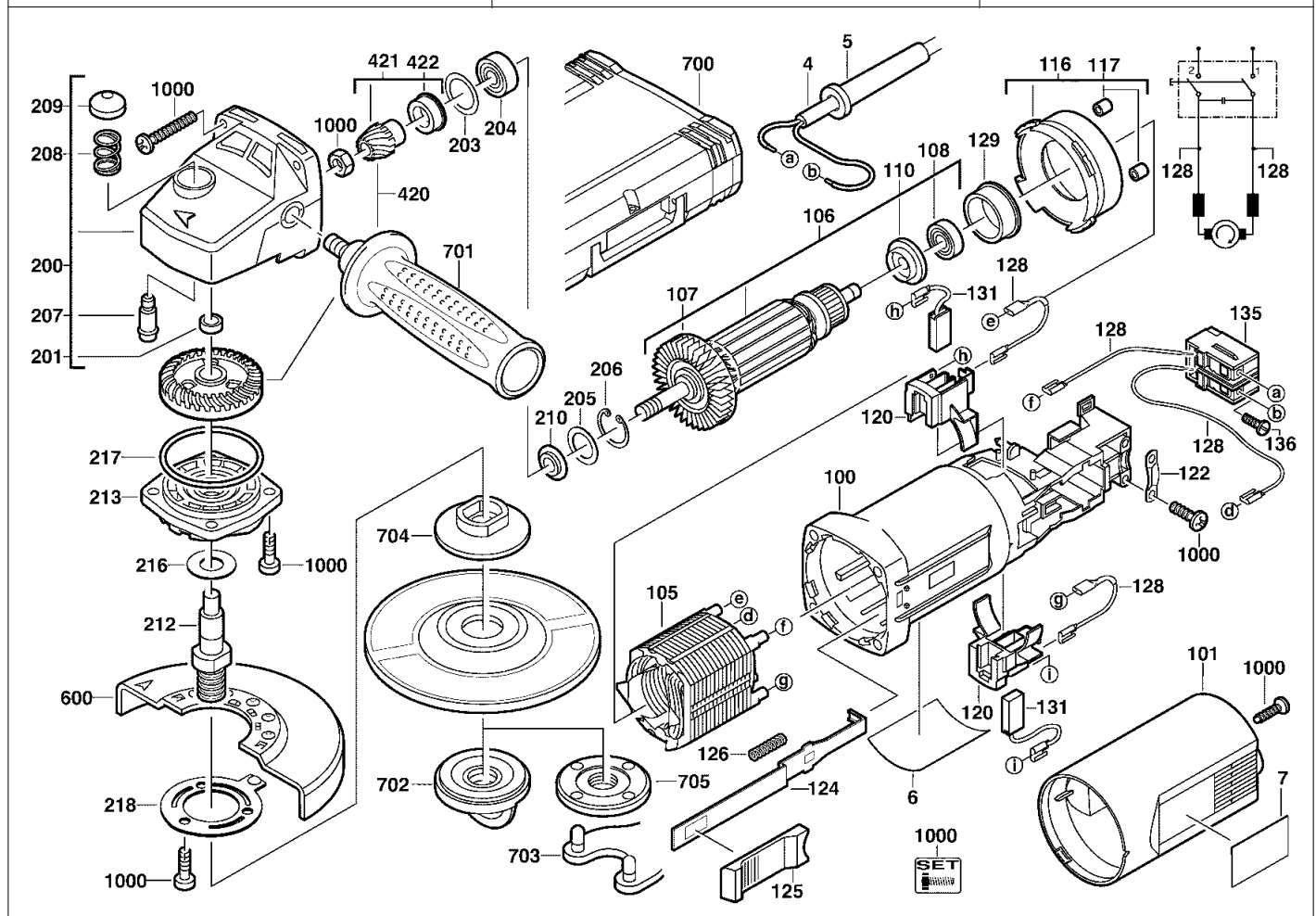
Ind	Product No.	Type	Voltage	Country

Milwaukee

**AG10-125**

**AG12-125X**

Exp.view No.      Version      Date      Page  
**4926 3836 80      0004      11.07.03      1/2**



Pos	Index	Quanti	Article No.	Designation	Pos	Index	Quanti	Article No.	Designation
0004	ab..e.....	1	4931623861	CONNECTION CABLE	0107	abcdef.....	1	4931341088	FAN
0004	..c.....	1	4931623831	CONNECTION CABLE	0108	abcdef.....	1	4931901253	BALL BEARING
0004	...d.....	1	4931624233	CONNECTION CABLE	0110	abcdef.....	1	4931271823	INSULATING DISC
0004	....f.....	1	4931624339	CONNECTION CABLE	0116	a.c.e.....	1	4931326933	AIR DEFLECTOR RING
0005	ab.def.....	1	4931218785	CABLE ENTRY SLEEVE	0116	.b.d.f.....	1	4931369787	INTERMEDIATE FLANG
0005	..c.....	1	4931206687	CABLE ENTRY SLEEVE	0117	abcdef.....	2	4931271824	HOLDING-DOWN DEVIC
0006	a...e.....	1	4931383683	RATING PLATE	0120	abcdef.....	2	4931326923	BRUSH HOLDER
0006	.b.....	1	4931383699	RATING PLATE	0122	abcdef.....	1	4931256500	CABLE COLLAR
0006	..c.....	1	4931383704	RATING PLATE	0124	abcdef.....	1	4931326959	GUIDE PIECE
0006	...d.....	1	4931385464	RATING PLATE	0125	abcdef.....	1	4931383014	SLIDER
0006	....f.....	1	4931391083	RATING PLATE	0126	abcdef.....	1	4931326981	PRESSURE SPRING
0007	abcdef.....	1	4931382311	NAME PLATE	0128	ab..ef.....	4	4931623735	WIRE
0100	abcdef.....	1	4931383013	MOTOR HOUSING	0128	..cd.....	4	4931623737	WIRE
0101	abcdef.....	1	4931362903	HOUSING CAP	0129	abcdef.....	1	4931326953	BEARING SLEEVE
0105	a...e.....	1	4931369166	ELECTRIC FIELD	0131	ab..ef.....	1	4931369477	CARBON BRUSH SET
0105	.b...f.....	1	4931369044	ELECTRIC FIELD	0131	..cd.....	1	4931392592	CARBON BRUSH SET
0105	..c.....	1	4931345135	ELECTRIC FIELD	0135	abcdef.....	1	4931326976	SWITCH
0105	...d.....	1	4931385465	ELECTRIC FIELD	0136	abcdef.....	2	4931617313	SCREW
0106	a...e.....	1	4931329327	ARMATURE	0200	abcdef.....	1	4931378964	GEAR BOX
0106	.b...f.....	1	4931362685	ARMATURE	0201	abcdef.....	1	4931912093	SLEEVE
0106	..c.....	1	4931345136	ARMATURE	0203	abcdef.....	1	4931362085	WASHER
0106	...d.....	1	4931385466	ARMATURE	0204	abcdef.....	1	4931368037	GROOVED BALL BEAR.

Repairs/modification and testing of electric power tools are to be carried out by specialists. The safety regulations according to DIN/VDE/CEE/AFNOR and other regulations valid in the different countries are to be observed.

# A & M Electric Tools

# Angle Grinders

Milwaukee

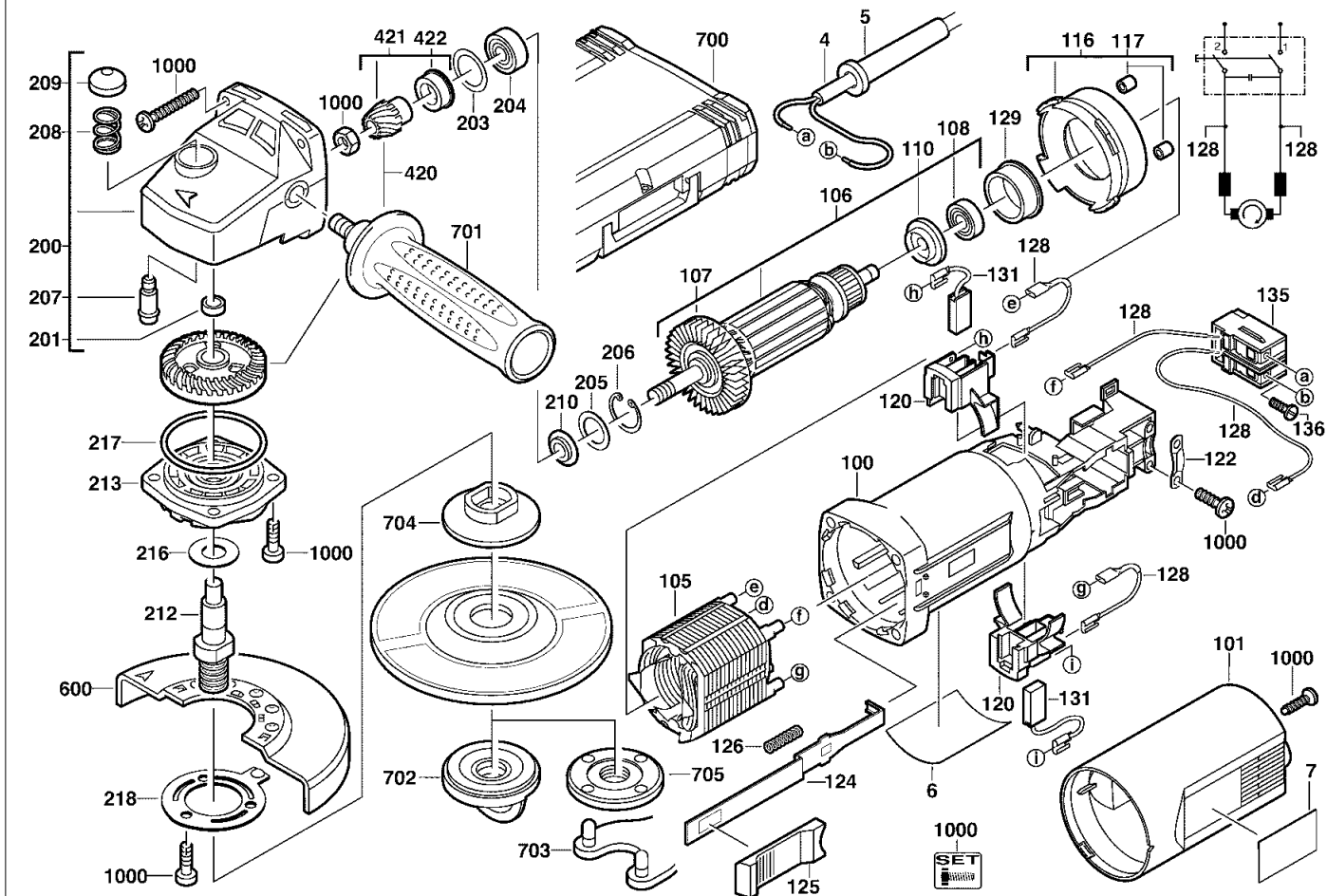
**AG10-125**

**AG12-125X**

Exp.view No.      Version    Date      Page  
**4926 3836 80    0004    11.07.03    2/2**

Ind	Product No.	Type	Voltage	Country
a	4000383676	AG10-125	220-230V	IN2
b	4000383696	AG12-125X	220-240V	IN2
c	4000383701	AG10-125	110V	GB1
d	4000385461	AG12-125X	110V	GB1
e	4000383676	AG10-125	220-230V	IN2
f	4000391081	AG12-125X	220-240V	AUS

Ind	Product No.	Type	Voltage	Country



Pos	Index	Quanti	Article No.	Designation
0205	abcdef.....	1	4931622761	DISC
0206	abcdef.....	1	4931616614	LOCKING RING
0207	abcdef.....	1	4931326929	LOCKING BOLT
0208	abcdef.....	1	4931326942	PRESSURE SPRING
0209	abcdef.....	1	4931326930	PUSH-BUTTON
0210	abcdef.....	1	4931624287	WASHER
0212	abcdef.....	1	4931369770	SPINDLE
0213	abcdef.....	1	4931378310	BEARING END PLATE
0216	abcdef.....	1	4931623480	DISC
0217	abcdef.....	1	4931623590	SEAL RING
0218	abcdef.....	1	4931345965	SPRING WASHER
0420	abcdef.....	1	4931369937	BEVEL GEAR PAIR
0421	abcdef.....	1	4931369934	PINION
0422	abcdef.....	1	4931369774	SEAL RING
0600	abcdef.....	1	4931378168	GUARD CAP
0700	...e.....	1	4932378986	CARRYING CASE
0701	abcdef.....	1	4932279371	HANDLE
0702	.b.d.f.....	1	4932358225	FIXTEC NUT
0703	a.c.e.....	1	4932367712	PIN SPANNER
0704	abcdef.....	1	4932263299	CLAMPING FLANGE
0705	a.c.e.....	1	4932345628	FLANGE NUT
1000	a.c.e.....	1	4931362838	BOLT SET

Pos	Index	Quanti	Article No.	Designation
1000	.b.d.f.....	1	4931362846	BOLT SET

Repairs/modification and testing of electric power tools are to be carried out by specialists. The safety regulations according to DIN/VDE/CEE/AFNOR and other regulations valid in the different countries are to be observed.