

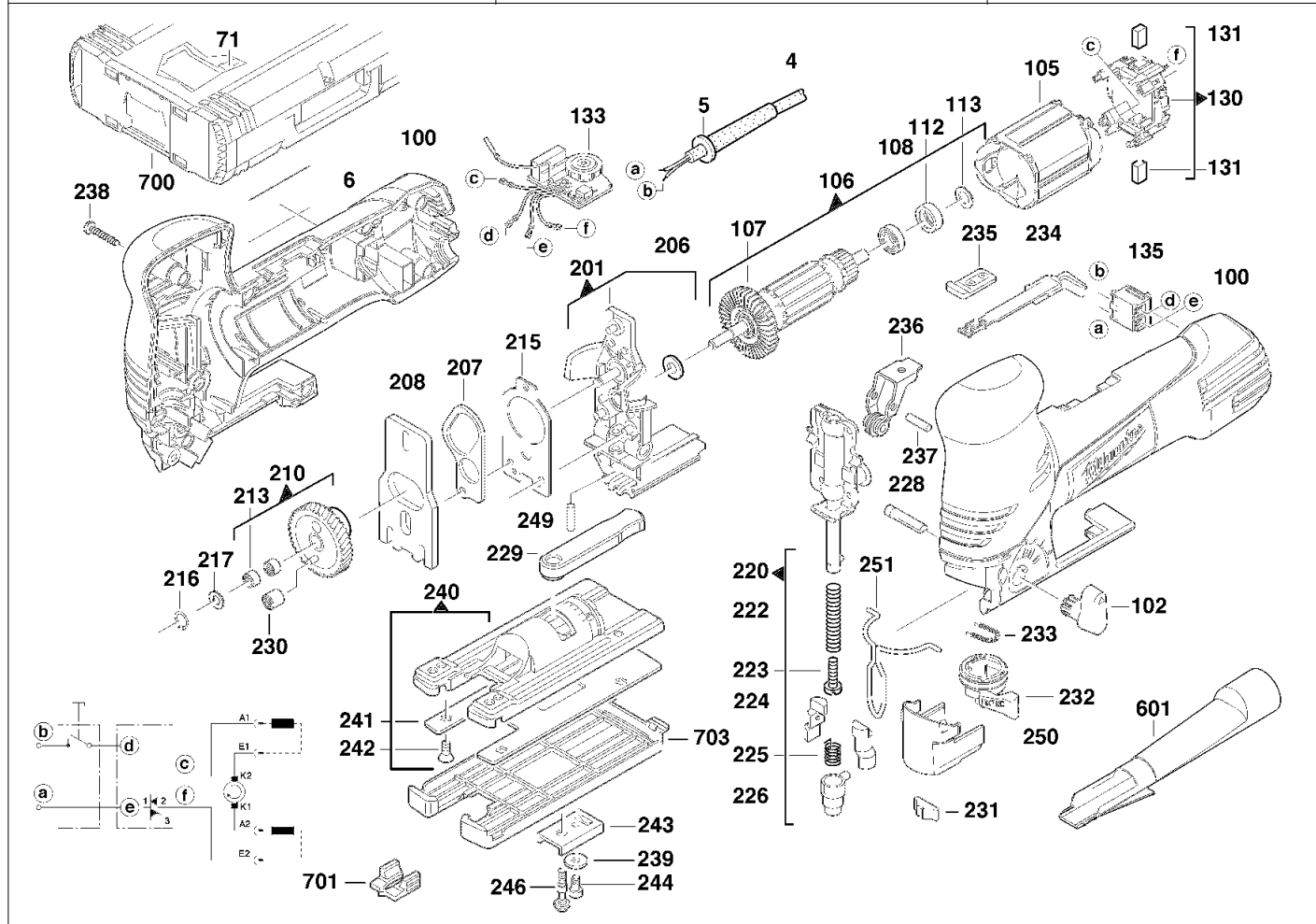
# A & M Electric Tools

# Jig Saws

Ind Product No.	Type	Voltage	Country
a 4000381681	JS120X	220-240V	IN2

Ind Product No.	Type	Voltage	Country

<b>Milwaukee</b>			
<b>JS 120 X</b>			
Exp.view No.	Version	Date	Page
4926 3816 85	0003	21.02.08	1/2



Pos	Index	Quanti	Article No.	Designation	Pos	Index	Quanti	Article No.	Designation
0004	a.....	1	4931623618	CONNECTION CABLE	0215	a.....	1	4931357577	SHIM
0005	a.....	1	4931206687	CABLE ENTRY SLEEVE	0216	a.....	1	4931605092	RING
0006	a.....	1	4931381687	RATING PLATE	0217	a.....	1	4931621830	DISC
0071	a.....	1	4931378501	INSERT	0220	a.....	1	4931357525	RAM
0100	a.....	1	4931381682	HOUSING	0222	a.....	1	4931357686	PRESSURE SPRING
0102	a.....	1	4931378812	SWITCH HANDLE	0223	a.....	1	4931623102	SCREW
0105	a.....	1	4931357534	ELECTRIC FIELD	0224	a.....	2	4931330303	CENTERING JAW
0106	a.....	1	4931357648	ARMATURE	0225	a.....	1	4931330301	TORSION SPRING
0107	a.....	1	4931330633	FAN	0226	a.....	1	4931330494	COLLET
0108	a.....	1	4931902888	BALL BEARING	0228	a.....	1	4931381103	INDEXING BOLT
0112	a.....	1	4931306351	RUBBER SLEEVE	0229	a.....	1	4931381610	TENSION LEVER
0113	a.....	1	4931621834	WASHER	0230	a.....	1	4931361376	NEEDLE BUSH
0130	a.....	1	4931357548	BRUSH MODULE	0231	a.....	1	4931330474	PLATE SPRING
0131	a.....	1	4931392597	CARBON BRUSH SET	0232	a.....	1	4931378813	SLEEVE
0133	a.....	1	4931381729	ELECTRONIC	0233	a.....	1	4931330437	SPRING
0135	a.....	1	4931351849	SWITCH	0234	a.....	1	4931357489	GUIDE PIECE
0201	a.....	1	4931357893	PILLOW BLOCK	0235	a.....	1	4931381298	SLIDER
0206	a.....	1	4931357000	FELT WASHER	0236	a.....	1	4931330051	HOLDER
0207	a.....	1	4931357522	ROCKER BAR	0237	a.....	1	4931621888	PIN
0208	a.....	1	4931381109	BALANCE WEIGHT	0238	a.....	9	4931618253	SCREW
0210	a.....	1	4931357515	GEAR	0239	a.....	1	4931622131	DISC
0213	a.....	2	4931219422	NEEDLE BEARING	0240	a.....	1	4931381623	GROUND PLATE

Repairs/modification and testing of electric power tools are to be carried out by specialists. The safety regulations according to DIN/VDE/CEE/AFNOR and other regulations valid in the different countries are to be observed.

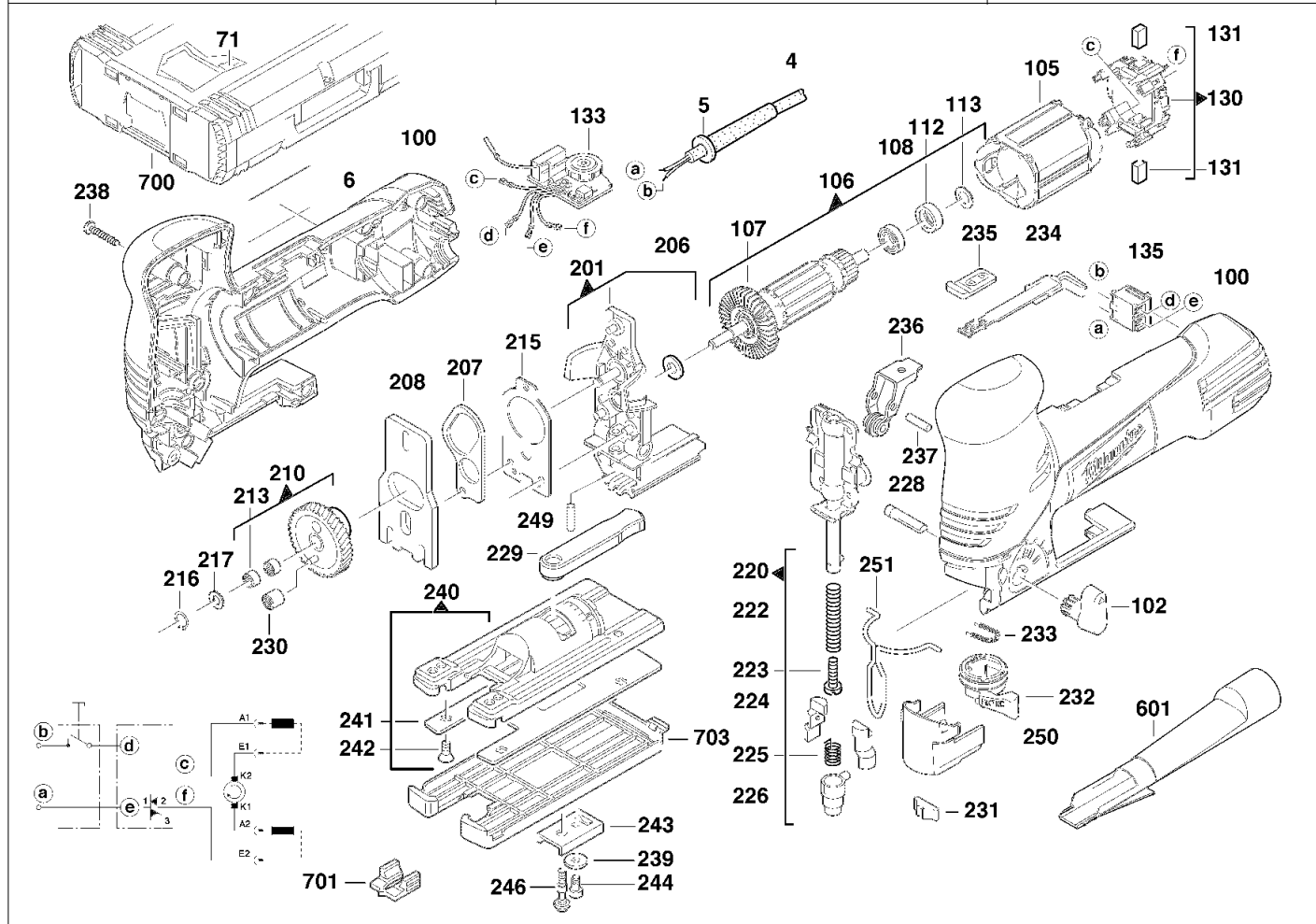
# A & M Electric Tools

# Jig Saws

Ind Product No. Type Voltage Country  
 a 4000381681 JS120X 220-240V IN2

Ind Product No. Type Voltage Country

Milwaukee  
**JS 120 X**  
 Exp.view No. Version Date Page  
 4926 3816 85 0003 21.02.08 2/2



Pos	Index	Quanti	Article No.	Designation
0241	a.....	1	4931357605	SLIDE PLATE
0242	a.....	4	4931310396	SCREW
0243	a.....	1	4931357588	THRUST PIECE
0244	a.....	1	4931300699	SCREW
0246	a.....	1	4931357598	SCREW
0249	a.....	1	4931357583	CYLINDER PIN
0250	a.....	1	4931357552	DUST CAP
0251	a.....	1	4931357584	WIRE STRAP
0601	a.....	1	4931357983	SUCTION SLEEVE
0700	a.....	1	4932378986	CARRYING CASE
0701	a.....	1	4932357682	ANT-CHIPPING DEVICE
0703	a.....	1	4932357881	GUIDE SHOE

Pos	Index	Quanti	Article No.	Designation
102				
105				
106				
107				
108				
112				
113				
131				
130				
135				
201				
206				
207				
208				
210				
213				
215				
216				
217				
230				
235				
236				
237				
238				
239				
240				
241				
242				
243				
244				
246				
249				
250				
251				
255				
256				
257				
258				
259				
260				
261				
262				
263				
264				
265				
266				
267				
268				
269				
270				
271				
272				
273				
274				
275				
276				
277				
278				
279				
280				
281				
282				
283				
284				
285				
286				
287				
288				
289				
290				
291				
292				
293				
294				
295				
296				
297				
298				
299				
300				
301				
302				
303				
304				
305				
306				
307				
308				
309				
310				
311				
312				
313				
314				
315				
316				
317				
318				
319				
320				
321				
322				
323				
324				
325				
326				
327				
328				
329				
330				
331				
332				
333				
334				
335				
336				
337				
338				
339				
340				
341				
342				
343				
344				
345				
346				
347				
348				
349				
350				
351				
352				
353				
354				
355				
356				
357				
358				
359				
360				
361				
362				
363				
364				
365				
366				
367				
368				
369				
370				
371				
372				
373				
374				
375				
376				
377				
378				
379				
380				
381				
382				
383				
384				
385				
386				
387				
388				
389				
390				
391				
392				
393				
394				
395				
396				
397				
398				
399				
400				

Repairs/modification and testing of electric power tools are to be carried out by specialists. The safety regulations according to DIN/VDE/CEE/AFNOR and other regulations valid in the different countries are to be observed.