

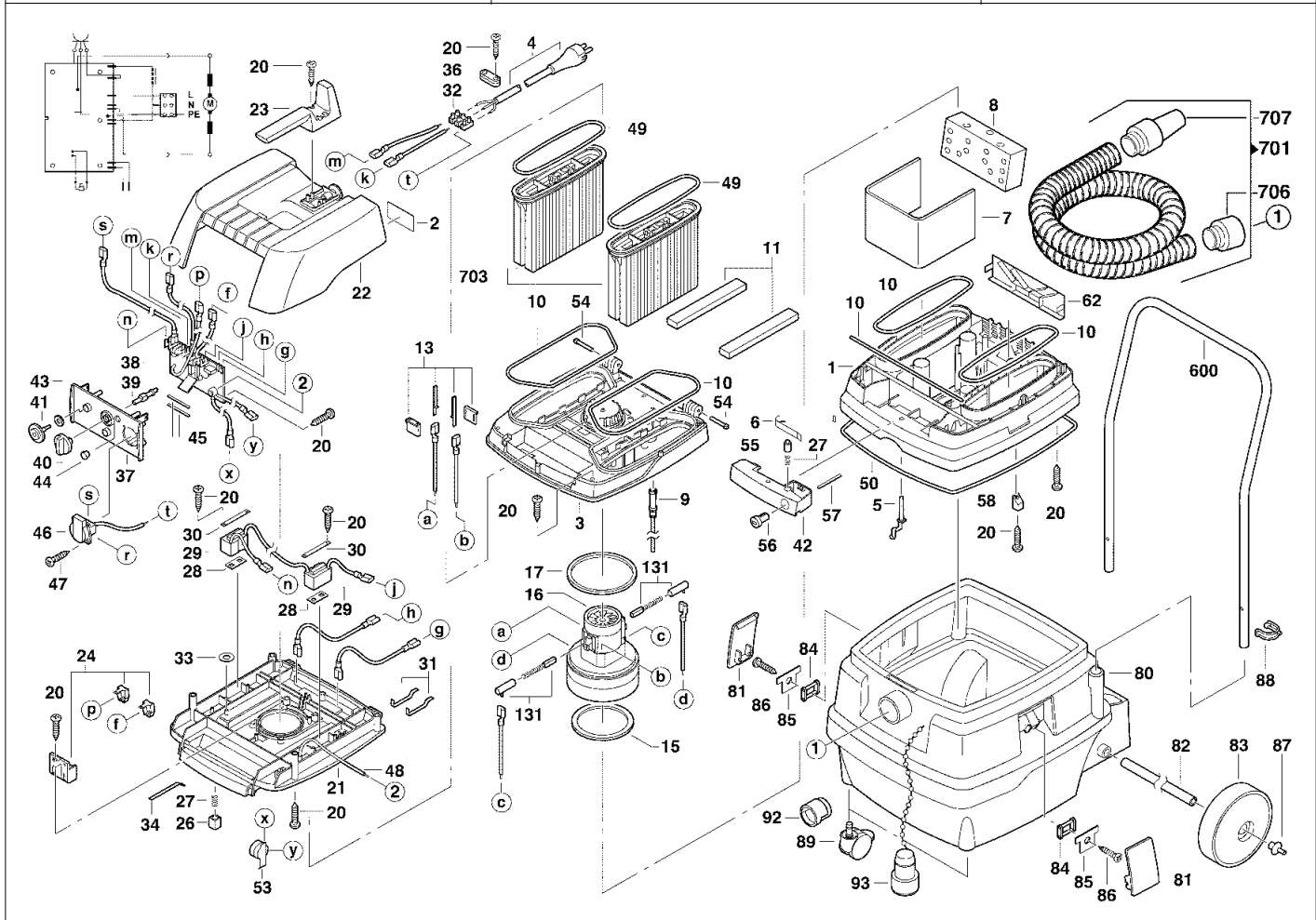
A & M Electric Tools

Wet/Dry Vac. Cleaner

Ind Product No.	Type	Voltage	Country
a 4000393831	ASM1400	230V	IN2

Ind Product No.	Type	Voltage	Country

Milwaukee			
ASM 1400			
Exp.view No.	Version	Date	Page
4926 3938 34	0001	04.05.06	1/2



Pos	Index	Quanti	Article No.	Designation	Pos	Index	Quanti	Article No.	Designation
0001	a.....	1	4931391156	BOTTOM PART	0028	a.....	2	4931327183	GASKET
0002	a.....	1	4931393835	RATING PLATE	0029	a.....	1	4931327182	VIBRATOR
0003	a.....	1	4931385392	MOTOR HOUSING	0030	a.....	2	4931385417	LATCH PLATE
0004	a.....	1	4931385384	CONNECTION CABLE	0031	a.....	2	4931385418	YOKE
0005	a.....	1	4931385394	BRIDGE	0032	a.....	1	4931385419	CLAMP
0006	a.....	1	4931385395	PLATE SPRING	0033	a.....	4	4931385420	WASHER
0007	a.....	1	4931385396	NOISE PROTECTION	0034	a.....	1	4931385421	WIRE
0008	a.....	1	4931385397	NOISE PROTECTION	0036	a.....	1	4931385422	CABLE CLAMP
0009	a.....	2	4931391534	ELECTRODE	0037	a.....	1	4931385423	FRONT PLATE
0010	a.....	5	4931385399	RUBBER	0038	a.....	1	4931393841	ELECT.CIRCUIT BOARD
0011	a.....	2	4931385401	GUARD FILTER	0039	a.....	1	4931385439	AXLE
0013	a.....	1	4931391154	PLUG	0040	a.....	1	4931385425	ADJUSTING PLATE
0015	a.....	1	4931385405	SEAL RING	0041	a.....	1	4931393844	TURNING KNOB
0016	a.....	1	4931393840	BLOWER	0042	a.....	1	4931393839	LATCH
0017	a.....	1	4931385407	SEAL	0043	a.....	1	4931385427	LOOKED WASHER
0020	a.....	41	4931622746	SCREW	0044	a.....	1	4931385428	LENS
0021	a.....	1	4931385408	PLATE	0045	a.....	2	4931385429	SPRING
0022	a.....	1	4931385389	COVER	0046	a.....	1	4931385430	WALL SOCKET
0023	a.....	1	4931385410	HANDLE	0047	a.....	4	4931385415	SCREW
0024	a.....	1	4931391155	WALL SOCKET	0048	a.....	1	4931385431	HOSE
0026	a.....	4	4931385413	THRUST PIECE	0049	a.....	2	4931385432	SEAL RING
0027	a.....	5	4931385414	PRESSURE SPRING	0050	a.....	1	4931391183	SEAL

Repairs/modification and testing of electric power tools are to be carried out by specialists. The safety regulations according to DIN/VDE/CEE/AFNOR and other regulations valid in the different countries are to be observed.

A & M Electric Tools

Wet/Dry Vac. Cleaner

Ind Product No. Type
a 4000393831 ASM1400

Voltage Country
230V IN2

Ind Product No. Type

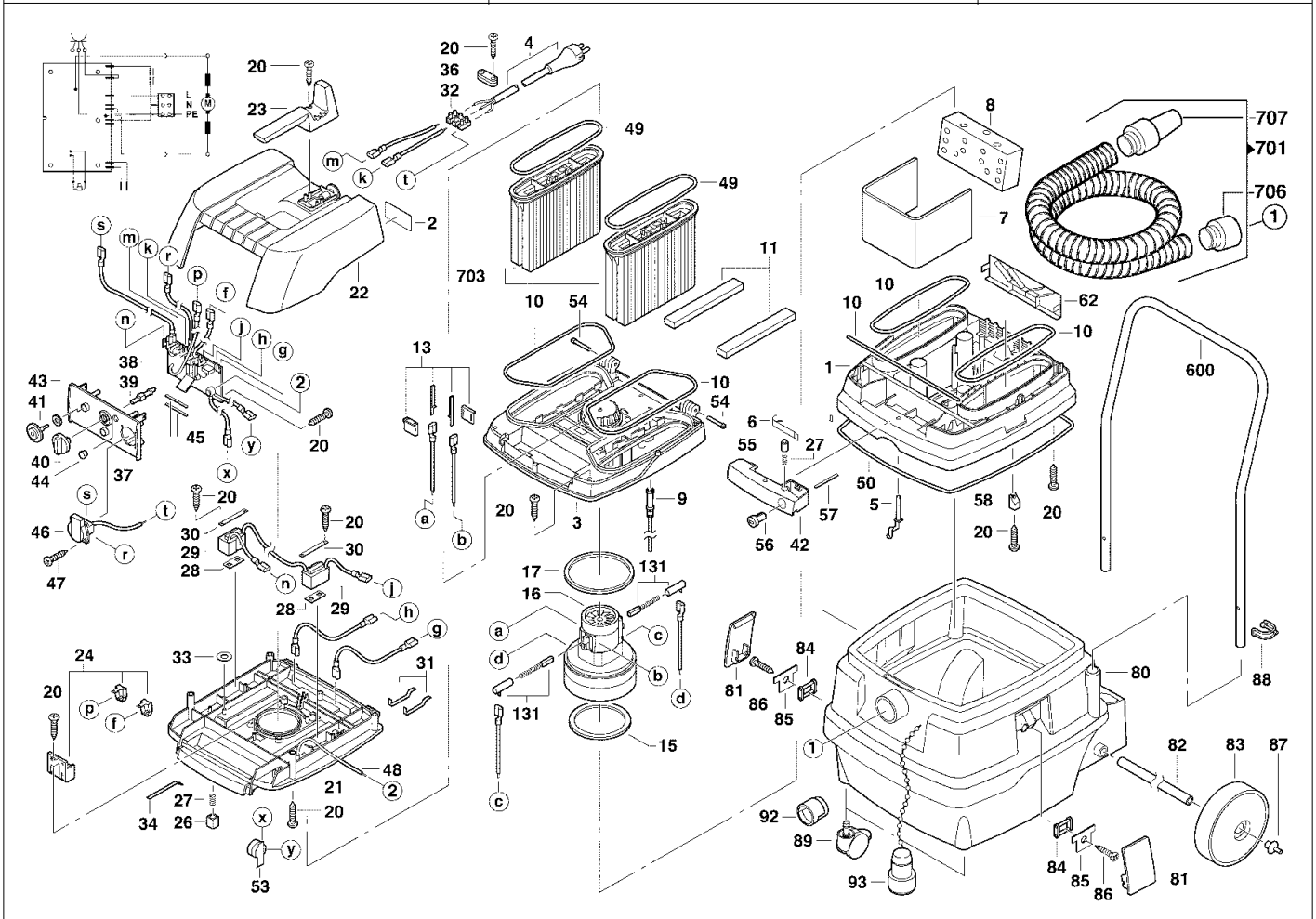
Voltage Country

Milwaukee

ASM 1400

Exp.view No. Version Date Page

4926 3938 34 0001 04.05.06 2/2



Pos	Index	Quanti	Article No.	Designation
0053	a.....	1	4931393901	HORN
0054	a.....	2	4931385434	BEARING BOLT
0055	a.....	1	4931385435	KNOB
0056	a.....	1	4931385436	LATCH
0057	a.....	1	4931385437	SPRING
0058	a.....	2	4931385438	SUPPORT
0062	a.....	1	4931393902	DIFFUSER
0080	a.....	1	4931393903	CUP
0081	a.....	2	4931385443	LOCK
0082	a.....	1	4931385444	AXLE
0083	a.....	2	4931385445	WHEEL
0084	a.....	2	4931385446	LEVER
0085	a.....	2	4931923464	DISC
0086	a.....	2	4931622746	SCREW
0087	a.....	2	4931385448	PLUG
0088	a.....	2	4931385447	PLUG
0089	a.....	2	4931385449	STEERING ROLLER
0092	a.....	1	4931393904	ROTARY SLIDER
0093	a.....	1	4931393905	LOCK
0131	a.....	1	4931393842	CARBON BRUSH SET
0600	a.....	1	4931385386	YOKE
0701	a.....	1	4932373626	SUCTION HOSE

Pos	Index	Quanti	Article No.	Designation
0703	a.....	1	4932373623	FILTER CARTRIDGE
0706	a.....	1	4931393188	CONNECTOR
0707	a.....	1	4931393189	CONNECTOR

Repairs/modification and testing of electric power tools are to be carried out by specialists. The safety regulations according to DIN/VDE/CEE/AFNOR and other regulations valid in the different countries are to be observed.