

A & M Electric Tools

Wet/Dry Vac. Cleaner

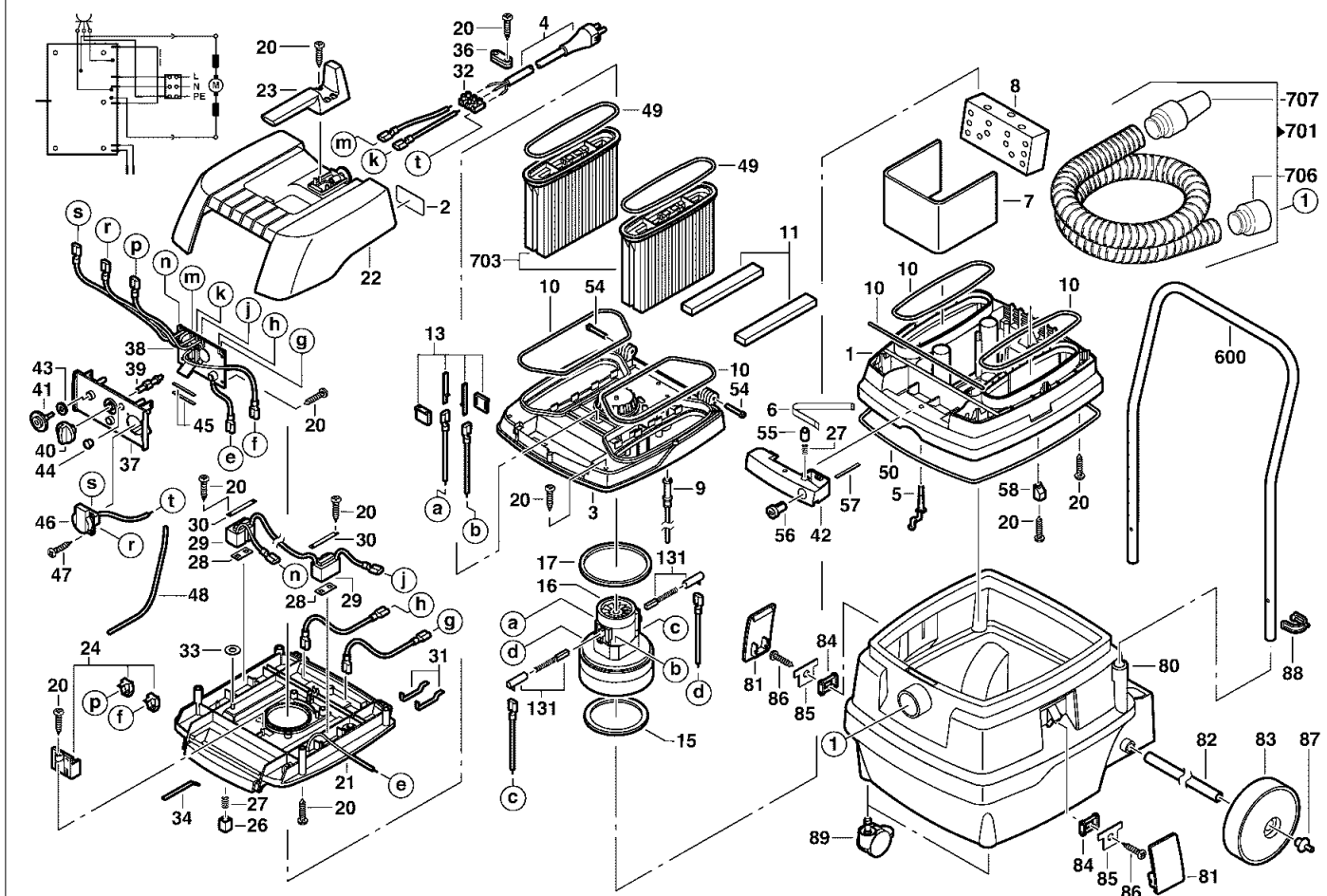
Milwaukee

ASE 1400

Exp.view No. Version Date Page
4926 3853 43 0007 16.03.05 1/2

Ind	Product No.	Type	Voltage	Country
a	4000385341	ASE 1400	230V	IN2
b	4000385996	ASE 1400	240V	AUS
c	4000391651	ASE 1400	240V	GB2

Ind	Product No.	Type	Voltage	Country



Pos	Index	Quanti	Article No.	Designation	Pos	Index	Quanti	Article No.	Designation
0001	abc.....	1	4931391156	BOTTOM PART	0023	abc.....	1	4931385410	HANDLE
0002	a.....	1	4931385344	RATING PLATE	0024	abc.....	1	4931391155	WALL SOCKET
0002	.b.....	1	4931385999	RATING PLATE	0026	abc.....	4	4931385413	THRUST PIECE
0002	..c.....	1	4931391653	RATING PLATE	0027	abc.....	5	4931385414	PRESSURE SPRING
0003	abc.....	1	4931385392	MOTOR HOUSING	0028	abc.....	2	4931327183	GASKET
0004	a.....	1	4931385384	CONNECTION CABLE	0029	abc.....	1	4931327182	VIBRATOR
0004	.b.....	1	4931393016	CONNECTION CABLE	0030	abc.....	2	4931385417	LATCH PLATE
0004	..c.....	1	4931385552	CONNECTION CABLE	0031	abc.....	2	4931385418	YOKE
0005	abc.....	1	4931385394	BRIDGE	0032	abc.....	1	4931385419	CLAMP
0006	abc.....	1	4931385395	PLATE SPRING	0033	abc.....	4	4931385420	WASHER
0007	abc.....	1	4931385396	NOISE PROTECTION	0034	abc.....	1	4931385421	WIRE
0008	abc.....	1	4931385397	NOISE PROTECTION	0036	abc.....	1	4931385422	CABLE CLAMP
0009	abc.....	2	4931391534	ELECTRODE	0037	abc.....	1	4931385423	FRONT PLATE
0010	abc.....	5	4931385399	RUBBER	0038	abc.....	1	4931385424	ELECTRONIC ELEMENT
0011	abc.....	2	4931385401	GUARD FILTER	0039	abc.....	1	4931385439	AXLE
0013	abc.....	1	4931391154	PLUG	0040	abc.....	1	4931385425	ADJUSTING PLATE
0015	abc.....	1	4931385405	SEAL RING	0041	abc.....	1	4931385426	TURNING KNOB
0016	abc.....	1	4931385406	BLOWER	0042	abc.....	1	4931385393	LATCH
0017	abc.....	1	4931385407	SEAL	0043	abc.....	1	4931385427	LOOKED WASHER
0020	abc.....	41	4931622746	SCREW	0044	abc.....	1	4931385428	LENS
0021	abc.....	1	4931385408	PLATE	0045	abc.....	2	4931385429	SPRING
0022	abc.....	1	4931385389	COVER	0046	a.....	1	4931385430	WALL SOCKET

Repairs/modification and testing of electric power tools are to be carried out by specialists. The safety regulations according to DIN/VDE/CEE/AFNOR and other regulations valid in the different countries are to be observed.

A & M Electric Tools

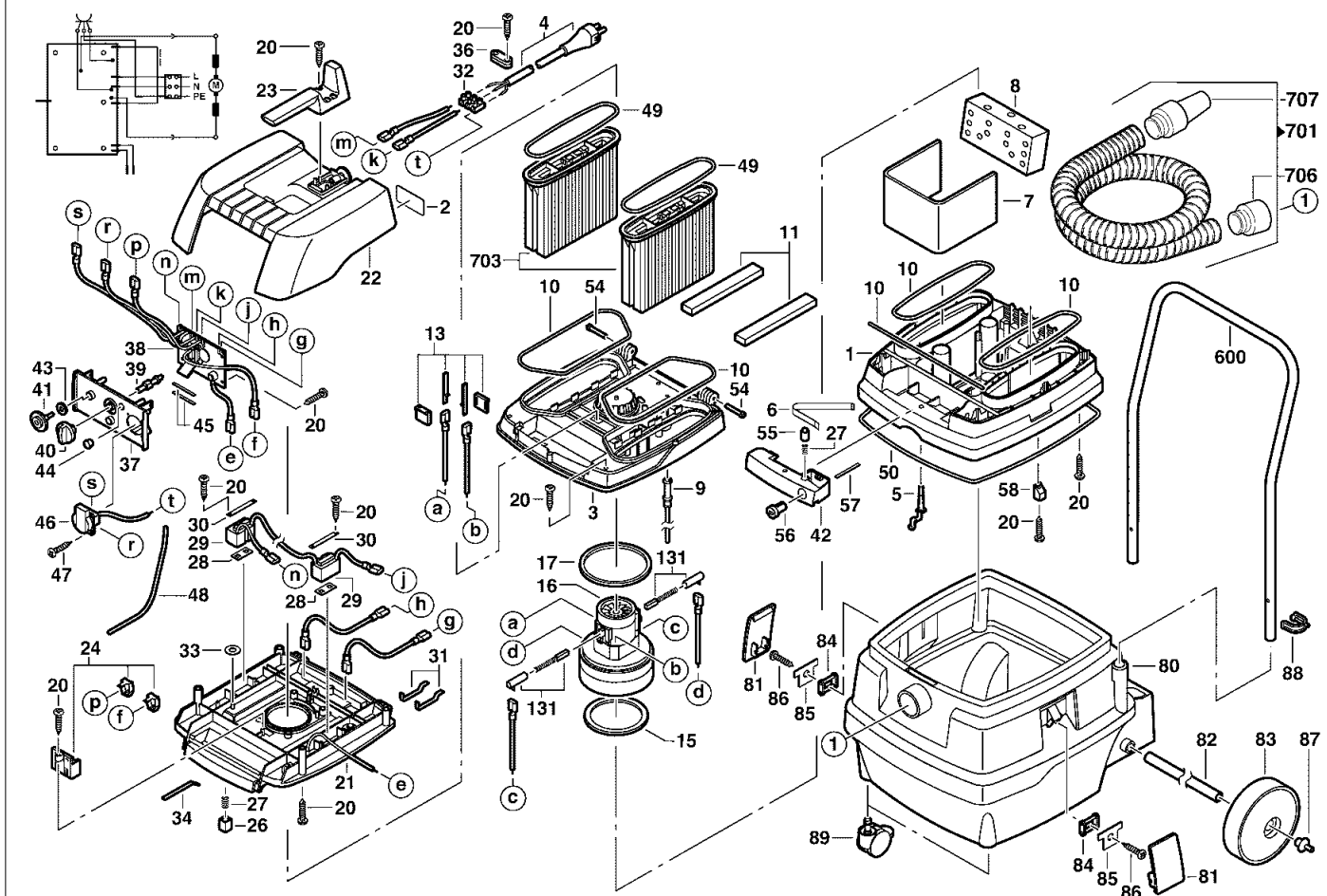
Wet/Dry Vac. Cleaner

Milwaukee

ASE 1400

Exp.view No. Version Date Page
4926 3853 43 0007 16.03.05 2/2

Ind	Product No.	Type	Voltage	Country	Ind	Product No.	Type	Voltage	Country
a	4000385341	ASE 1400	230V	IN2					
b	4000385996	ASE 1400	240V	AUS					
c	4000391651	ASE 1400	240V	GB2					



Pos	Index	Quanti	Article No.	Designation
0046	.b.....	1	4931385804	SOCKET
0046	.c.....	1	4931385553	SOCKET
0047	abc.....	4	4931385415	SCREW
0048	abc.....	1	4931385431	HOSE
0049	abc.....	2	4931385432	SEAL RING
0050	abc.....	1	4931391183	SEAL
0054	abc.....	2	4931385434	BEARING BOLT
0055	abc.....	1	4931385435	KNOB
0056	abc.....	1	4931385436	LATCH
0057	abc.....	1	4931385437	SPRING
0058	abc.....	2	4931385438	SUPPORT
0080	abc.....	1	4931393903	CUP
0081	abc.....	2	4931385443	LOCK
0082	abc.....	1	4931385444	AXLE
0083	abc.....	2	4931385445	WHEEL
0084	abc.....	2	4931385446	LEVER
0085	abc.....	2	4931923464	DISC
0086	abc.....	2	4931622746	SCREW
0087	abc.....	2	4931385448	PLUG
0088	abc.....	2	4931385447	PLUG
0089	abc.....	2	4931385449	STEERING ROLLER
0131	abc.....	1	4931385440	CARBON BRUSH SET

Pos	Index	Quanti	Article No.	Designation
0600	abc.....	1	4931385386	YOKE
0701	abc.....	1	4932373626	SUCTION HOSE
0703	abc.....	1	4932373623	FILTER CARTRIDGE
0706	abc.....	1	4931393188	CONNECTOR
0707	abc.....	1	4931393189	CONNECTOR

Repairs/modification and testing of electric power tools are to be carried out by specialists. The safety regulations according to DIN/VDE/CEE/AFNOR and other regulations valid in the different countries are to be observed.