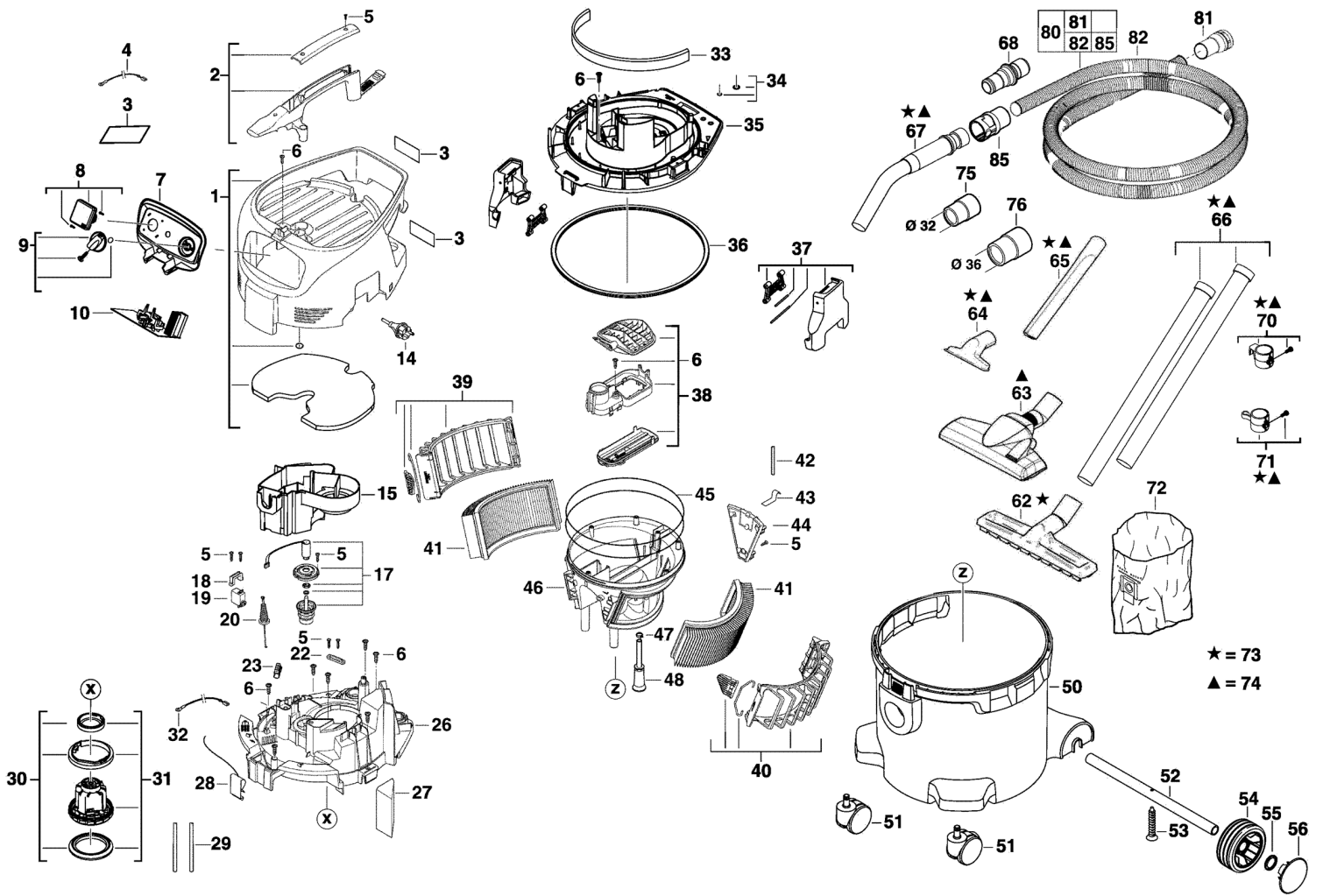


VIBR. VAC. CLEANER

4933428455 - AS300ELAC - 4000428456



Position	Quantity	Description	Part number	EAN
0001	1	COVER	4931416217	4002395805600
0002	1	HANDLE	4931416218	4002395805617
0003	1	RATING PLATE	4931428461	4002395847044
0004	1	RELAY CABLE	4931416137	4002395805402
0005	1	BOLT SET	4931416295	4002395797189
0006	1	BOLT SET	4931416296	4002395797196
0007	1	SWITCH BOARD	4931416344	4002395822980
0008	1	WALL SOCKET	4931416260	4002395796458
0009	1	KNOB	4931416119	4002395805389
0010	1	PRINT.CURIUT SWITCH	4931416079	4002395241682
0014	1	CONNECTION CABLE	4931416308	4002395797714
0015	1	AIR DEFLECTOR RING	4931416312	4002395797752
0017	1	MAGNET	4931416706	4002395805730
0018	1	HOLDER	4931416707	4002395805747
0019	1	ELECTRONIC	4931416708	4002395805754
0020	1	RELAY CABLE	4931416709	4002395805761
0022	1	CABLE JOINT	4931416316	4002395797790
0023	1	CONNECTION SET	4931416317	4002395797806
0026	1	PLATE	4931416720	4002395805808
0027	1	DAMPING ELEMENT	4931416139	4002395805426
0028	1	JOINT PIECE	4931416318	4002395797813
0029	1	HOSE	4931416722	4002395805822
0030	1	PACKING SET	4931416319	4002395797820
0031	1	MOTOR ASSEMBLY	4931416320	4002395797837
0032	1	RELAY CABLE	4931416723	4002395805839
0033	1	NOISE FILTER	4931416326	4002395797899
0034	1	O-RING-SET	4931416724	4002395805846
0035	1	BASE PLATE	4931416725	4002395805853
0036	1	GASKET	4931416328	4002395797912
0037	2	HOLDING BRACKET	4931416332	4002395879795
0038	1	SET	4931416726	4002395805860
0039	1	CLAMPING SET	4931416727	4002395805877
0040	1	PIECE PLUS FOURNI,ANNULER VOTRE CDE	4931416728	
0042	1	HOSE	4931416729	4002395805891
0043	1	CLAMP	4931419105	4002395805907
0044	1	CLAMP	4931419106	4002395805914
0045	1	SEAL	4931419107	4002395805921
0046	1	CLAMP	4931419108	4002395805938
0047	1	STRAP	4931419109	4002395805945
0048	1	HOSE	4931419110	4002395805952
0050	1	TANK	4931416158	4002395805471
0051	2	ROLL	4931416335	4002395797981
0052	1	AXLE	4931416336	4002395797998
0053	1	SCREW	4931416337	4002395795178
0054	2	ROLL	4931416338	4002395795192
0055	2	SLEEVE	4931416339	4002395795185
0056	2	COVER	4931416159	4002395805488
0063	1	FLOOR TOOL	4931416282	4002395797073
0064	1	NOZZLE	4931416283	4002395797080
0065	1	NOZZLE	4931416284	4002395797097

Position	Quantité	Désignation	Référence	EAN
0066	1	SUCTION PIPE	4931416285	4002395797103
0067	1	ADAPTER	4931416166	4002395805495
0068	1	MUFF	4931416173	4002395805501
0070	1	NOSEPIECE	4931416306	4002395797295
0071	1	NOSEPIECE	4931416129	4002395805396
0075	1	MUFF	4931416058	4002395825967
0076	1	MUFF	4931416059	4002395826599
0081	1	MUFF	4931416458	4002395847167
0082	1	SUCTION HOSE	4931416459	4002395847174
0085	1	MUFF	4931416460	4002395847181
0041	1	FILTER CARTRIDGE Filter Cartdge P2AM	4932352305	4002395369645
0062	1	ALL-PURPOSE NOZZLE CLEAN LINE P1 A/M	4932276046	4002395303236
0072	1	FILTER (CLOTH) 30L PVC Bag x 5 P5AM	4932352309	4002395369683
0073	1	SET Vac Constr. Set P1AM	4932352301	4002395369607
0074	1	SET Vac Office Set P1AM	4932352302	4002395369614
0080	1	SUCTION HOSE hose4m anti statP1AM	4932352311	4002395369706