

A & M Electric Tools

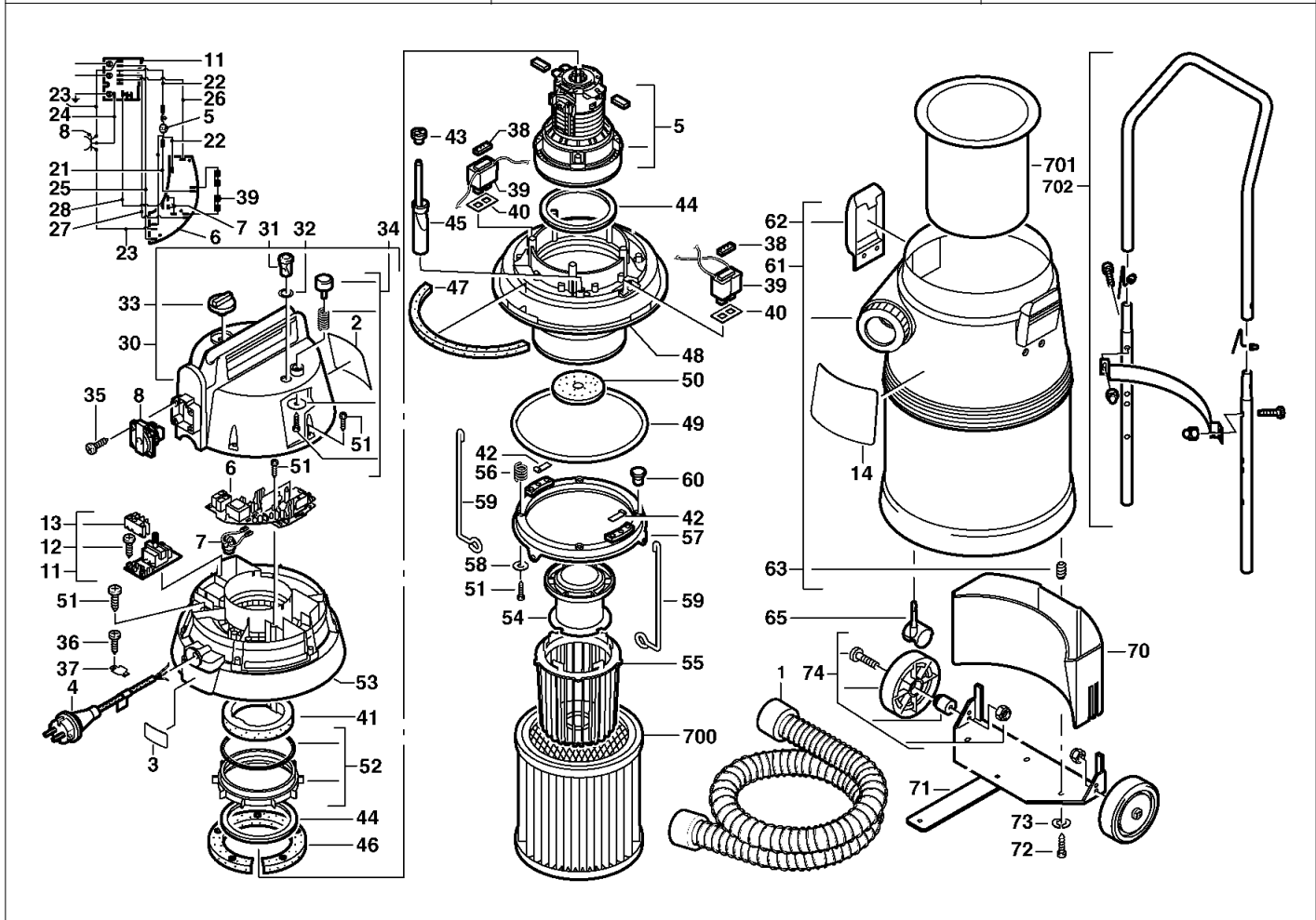
Wet/Dry Vac. Cleaner

Ind	Product No.	Type	Voltage	Country
a	4000354134	AS2C	230V	IN2
b	4000354138	AS2C	230V	IN2

Ind	Product No.	Type	Voltage	Country

Atlas Copco
AS 2 C

Exp.view No. Version Date Page
4926 3540 89 0001 29.06.95 1/2



Pos	Index	Quanti	Article No.	Designation	Pos	Index	Quanti	Article No.	Designation
0001	ab.....	1	4931346885	SUCTION HOSE	0030	ab.....	1	4931327177	CAP
0002	a.....	1	4931346757	TYPE PLATE	0031	ab.....	1	4931327211	LENS
0002	.b.....	1	4931346794	TYPE PLATE	0032	ab.....	1	4931327212	GASKET
0003	a.....	1	4931346744	RATING PLATE	0033	ab.....	1	4931327213	SWITCH LEVER
0003	.b.....	1	4931346796	RATING PLATE	0034	ab.....	1	4931327214	TURNING KNOB
0004	ab.....	1	4931327170	CONNECTION CABLE	0035	ab.....	4	4931620093	SCREW
0005	ab.....	1	4931327171	BLOWER	0036	ab.....	2	4931622476	SCREW
0006	ab.....	1	4931354643	ELECTRONIC ELEMENT	0037	ab.....	1	4931312264	CABLE COLLAR
0007	ab.....	1	4931327173	SWITCH	0038	ab.....	2	4931327181	INSULATION BOARD
0008	ab.....	1	4931354080	SOCKET	0039	ab.....	1	4931327182	VIBRATOR
0011	ab.....	1	4931327179	CONNECTION PLATE	0040	ab.....	2	4931327183	GASKET
0012	ab.....	3	4931621792	SCREW	0041	ab.....	1	4931327184	AIR DEFLECTOR RING
0013	ab.....	1	4931327216	INSULATING PART	0042	ab.....	2	4931327185	PLATE SPRING
0014	ab.....	1	4931346799	DATA PLATE	0043	ab.....	1	4931327186	GASKET
0021	ab.....	1	4931327209	WIRE	0044	ab.....	2	4931327187	SEAL RING
0022	ab.....	1	4931327210	WIRE	0045	ab.....	1	4931340091	SLEEVE
0023	ab.....	2	4931327221	WIRE	0046	ab.....	1	4931327189	NOISE FILTER
0024	ab.....	1	4931327222	WIRE	0047	ab.....	2	4931327191	NOISE FILTER
0025	ab.....	1	4931327223	WIRE	0048	ab.....	1	4931327192	FLANGE
0026	ab.....	1	4931327224	WIRE	0049	ab.....	1	4931327193	SEAL RING
0027	ab.....	1	4931327225	WIRE	0050	ab.....	1	4931327194	FILTER
0028	ab.....	1	4931327229	WIRE	0051	ab.....	18	4931622746	SCREW

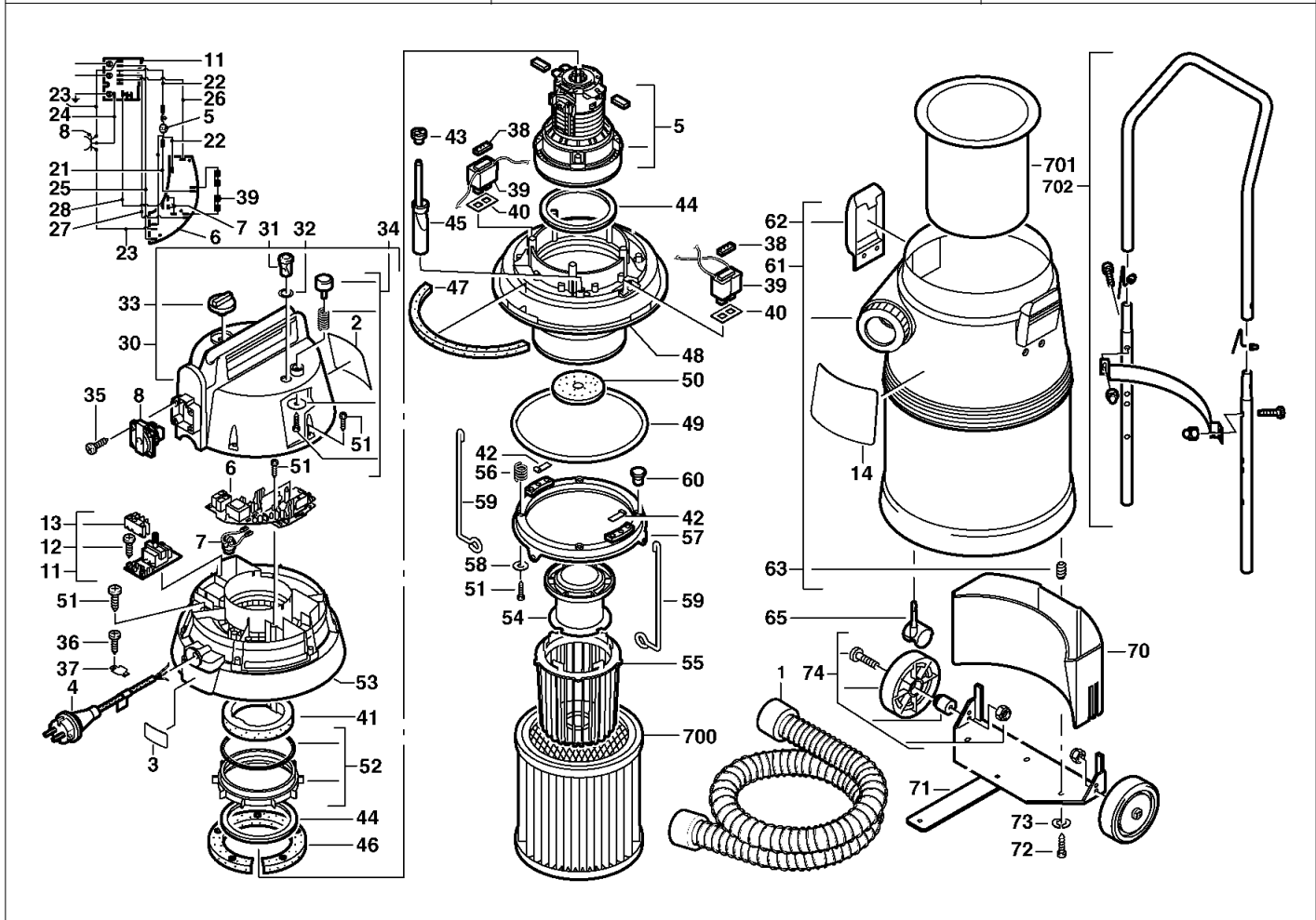
Repairs/modification and testing of electric power tools are to be carried out by specialists. The safety regulations according to DIN/VDE/CEE/AFNOR and other regulations valid in the different countries are to be observed.

A & M Electric Tools

Wet/Dry Vac. Cleaner

Ind	Product No.	Type	Voltage	Country	Ind	Product No.	Type	Voltage	Country
a	4000354134	AS2C	230V	IN2					
b	4000354138	AS2C	230V	IN2					

Atlas Copco
AS 2 C
 Exp.view No. Version Date Page
4926 3540 89 0001 29.06.95 2/2



Pos	Index	Quanti	Article No.	Designation
0052	ab.....	1	4931327195	RING
0053	ab.....	1	4931327196	HOUSING
0054	ab.....	1	4931327197	FLOAT
0055	ab.....	1	4931327198	BASKET
0056	ab.....	4	4931327199	PRESSURE SPRING
0057	ab.....	1	4931354091	FILTER HOLDER
0058	ab.....	4	4931923464	DISC
0059	ab.....	4	4931354092	HOLDING BRACKET
0060	ab.....	4	4931327202	SPACER
0061	ab.....	1	4931354093	TANK
0062	ab.....	2	4931327217	LOCK
0063	ab.....	4	4931354095	INSERT
0065	ab.....	3	4931354090	STEERING PULLEY
0070	ab.....	1	4931346888	TOOL BOX
0071	ab.....	1	4931346887	GUIDE RAIL
0072	ab.....	4	4931619914	SCREW
0073	ab.....	4	4931619992	SPRING WASHER
0074	ab.....	2	4931346886	WHEEL
0700	ab.....	1	4932346338	FILTER CARTRIDGE
0701	ab.....	1	4932346591	FILTER SAFE DEVICE
0702	ab.....	1	4932346814	YOKE

Pos	Index	Quanti	Article No.	Designation
0052	ab.....	1	4931327195	RING
0053	ab.....	1	4931327196	HOUSING
0054	ab.....	1	4931327197	FLOAT
0055	ab.....	1	4931327198	BASKET
0056	ab.....	4	4931327199	PRESSURE SPRING
0057	ab.....	1	4931354091	FILTER HOLDER
0058	ab.....	4	4931923464	DISC
0059	ab.....	4	4931354092	HOLDING BRACKET
0060	ab.....	4	4931327202	SPACER
0061	ab.....	1	4931354093	TANK
0062	ab.....	2	4931327217	LOCK
0063	ab.....	4	4931354095	INSERT
0065	ab.....	3	4931354090	STEERING PULLEY
0070	ab.....	1	4931346888	TOOL BOX
0071	ab.....	1	4931346887	GUIDE RAIL
0072	ab.....	4	4931619914	SCREW
0073	ab.....	4	4931619992	SPRING WASHER
0074	ab.....	2	4931346886	WHEEL
0700	ab.....	1	4932346338	FILTER CARTRIDGE
0701	ab.....	1	4932346591	FILTER SAFE DEVICE
0702	ab.....	1	4932346814	YOKE

Repairs/modification and testing of electric power tools are to be carried out by specialists. The safety regulations according to DIN/VDE/CEE/AFNOR and other regulations valid in the different countries are to be observed.