

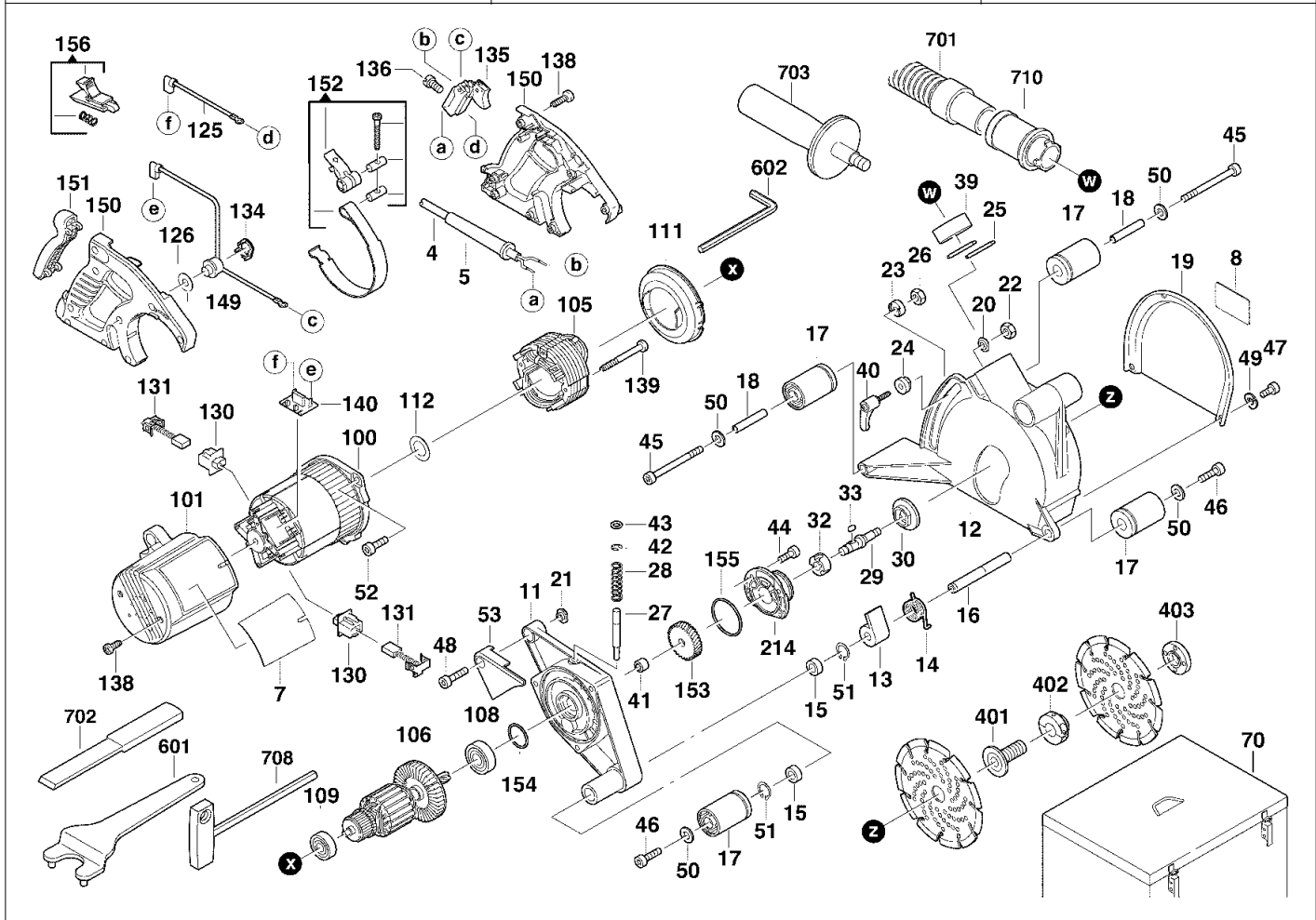
# A & M Electric Tools

# Angle Grinders

Ind Product No.	Type	Voltage	Country
a 4000393004	WCS45	230-240V	IN2

Ind Product No.	Type	Voltage	Country

Milwaukee			
<b>WCS 45</b>			
Exp.view No.	Version	Date	Page
4926 3930 06	0003	27.10.05	1/2



Pos	Index	Quanti	Article No.	Designation	Pos	Index	Quanti	Article No.	Designation
0004	a.....	1	4931383611	CONNECTION CABLE	0029	a.....	1	4931383390	DRIVING SHAFT
0005	a.....	1	44760050	CABLE CLAMP	0030	a.....	1	4932263299	CLAMPING FLANGE
0007	a.....	1	4931383353	RATING PLATE	0032	a.....	1	4931383392	BUSH
0008	a.....	1	4931378806	TYPE PLATE	0033	a.....	1	4931383393	KEY
0011	a.....	1	4931383373	DRIVING PLATE	0039	a.....	1	4931383395	SLEEVE
0012	a.....	1	4931383374	GUARD CAP	0040	a.....	1	4931383499	CLAMPING LEVER
0013	a.....	1	4931383375	COVER	0041	a.....	1	4931943567	NEEDLE BEARING
0014	a.....	1	4931383376	SPRING	0042	a.....	1	4931621973	SHAFT CLIP
0015	a.....	2	4931383377	BUSH	0043	a.....	1	4931383396	O-RING
0016	a.....	1	4931383378	AXLE	0044	a.....	4	4931383397	SCREW
0017	a.....	4	4931383379	ROLL	0045	a.....	2	4931624384	SCREW
0018	a.....	2	4931383384	AXLE	0046	a.....	2	4931607021	SCREW
0019	a.....	1	4931393475	COVER PLATE	0047	a.....	3	4931383399	SCREW
0020	a.....	1	4931383382	WASHER	0048	a.....	1	4931624382	SCREW
0021	a.....	1	4931383383	SPACER	0049	a.....	3	4931623799	SPRING WASHER
0022	a.....	1	4931616196	NUT	0050	a.....	4	4931615511	SEALING WASHER
0023	a.....	1	4931383386	WASHER	0051	a.....	2	4931605142	RING
0024	a.....	1	4931383385	BUSH	0052	a.....	3	4931383504	SCREW
0025	a.....	1	4931383387	FENCE	0053	a.....	1	4931385349	COVER
0026	a.....	1	4931621674	NUT	0070	a.....	1	4932383357	CARRY.C.W.COVER BO
0027	a.....	1	4931383388	LOCKING ROD	0100	a.....	1	31500050	HOUSING
0028	a.....	1	4931383389	PRESSURE SPRING	0101	a.....	1	4931383613	BONNET

Repairs/modification and testing of electric power tools are to be carried out by specialists. The safety regulations according to DIN/VDE/CEE/AFNOR and other regulations valid in the different countries are to be observed.

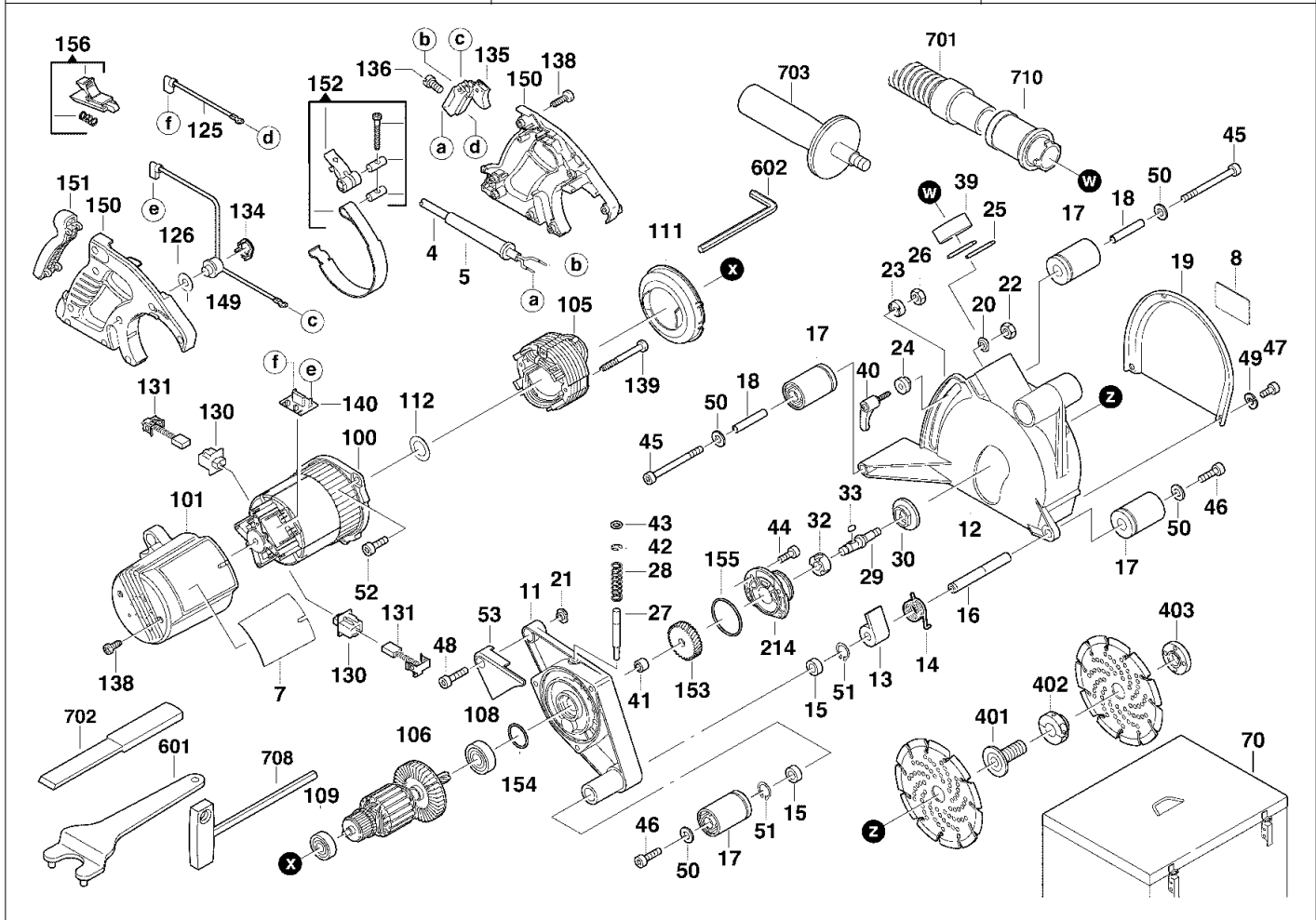
# A & M Electric Tools

# Angle Grinders

Ind Product No.	Type	Voltage	Country
a 4000393004	WCS45	230-240V	IN2

Ind Product No.	Type	Voltage	Country

Milwaukee			
<b>WCS 45</b>			
Exp.view No.	Version	Date	Page
4926 3930 06	0003	27.10.05	2/2



Pos	Index	Quanti	Article No.	Designation	Pos	Index	Quanti	Article No.	Designation
0105	a.....	1	4931383610	ELECTRIC FIELD	0155	a.....	1	34401380	O-RING
0106	a.....	1	4931383609	ARMATURE	0156	a.....	1	4931383617	SLIDER
0108	a.....	1	02041850	BALL BEARING	0214	a.....	1	4931393224	BEARING END PLATE
0109	a.....	1	02040847	BALL BEARING	0401	a.....	1	4931383394	NUT
0111	a.....	1	31050045	AIR DEFLECTOR RING	0402	a.....	1	4931393186	CLAMPING NUT
0112	a.....	1	45880577	WASHER	0403	a.....	1	4931393187	ADJUSTING LOCK
0125	a.....	1	23941180	CABLE	0601	a.....	1	4932371469	PIN SPANNER
0126	a.....	1	4931385373	SWITCH	0602	a.....	1	4931606753	SCREW DRIVER
0130	a.....	2	22220030	BRUSH HOLDER COMP	0701	a.....	1	4932334704	SUCTION HOSE
0131	a.....	1	22180085	BRUSH HOLDER COMP	0702	a.....	1	4932371358	BREAK-OUT CHISEL
0134	a.....	1	4931385599	SWITCH RETAINER	0703	a.....	1	4932209035	HANDLE
0135	a.....	1	23662117	SWITCH	0708	a.....	1	4931362928	T-SPANNER
0136	a.....	4	05890045	SCREW	0710	a.....	1	4932362778	ADAPTER
0138	a.....	10	06827270	SCREW					
0139	a.....	2	06827395	PIN					
0140	a.....	1	14201325	CAPACITOR					
0149	a.....	1	4931383422	SEALING WASHER					
0150	a.....	1	4931383614	HANDLE COMPL.					
0151	a.....	1	44520682	HANDLE					
0152	a.....	1	4931383615	STRIP-BAND					
0153	a.....	1	4931383616	GEAR					
0154	a.....	1	34401375	O-RING					

Repairs/modification and testing of electric power tools are to be carried out by specialists. The safety regulations according to DIN/VDE/CEE/AFNOR and other regulations valid in the different countries are to be observed.