

A & M Electric Tools

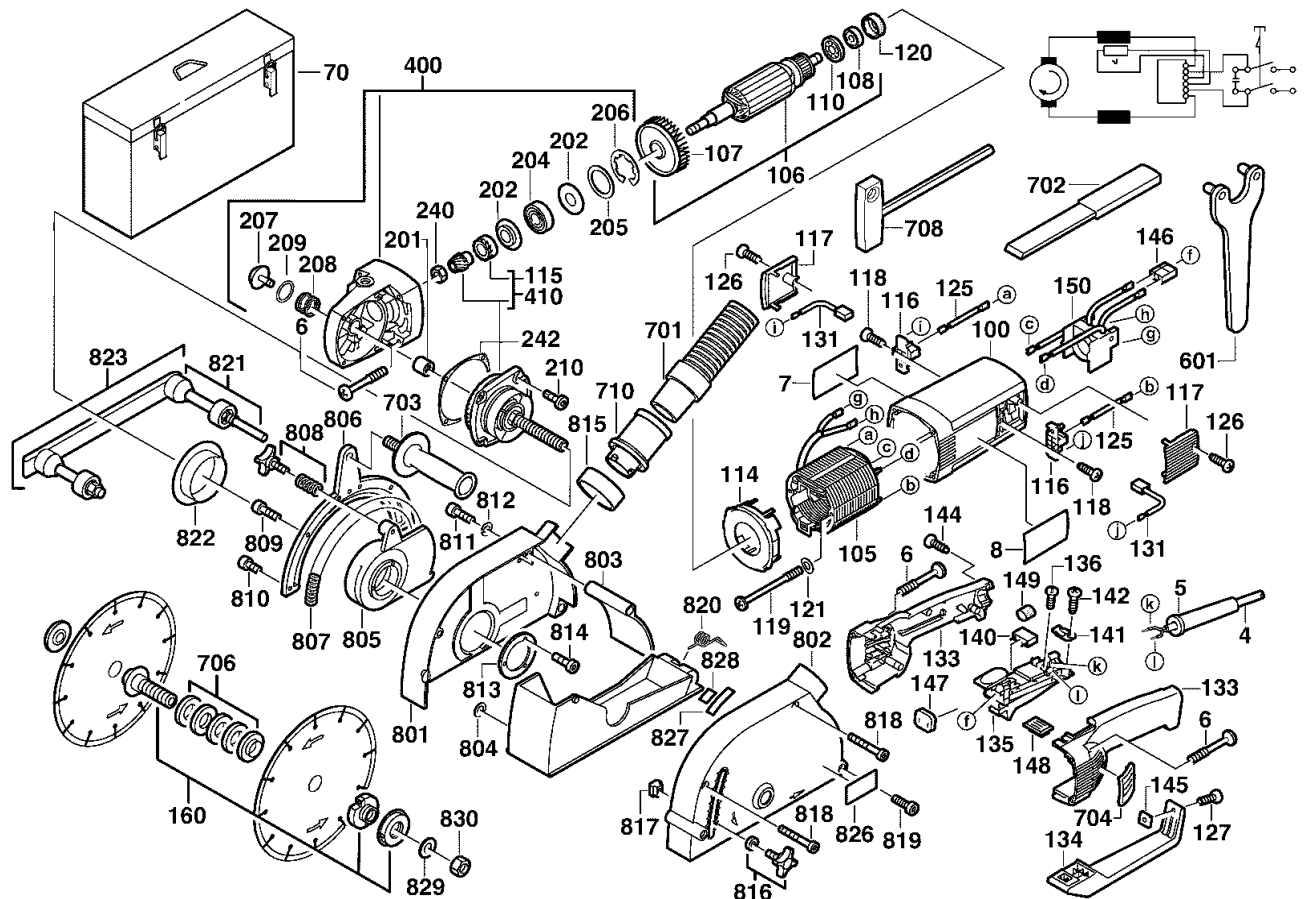
Angle Grinders

Milwaukee

DME65/0

Exp.view No. Version Date Page
4926 3830 42 0001 12.06.01 1/2

Ind	Product No.	Type	Voltage	Country	Ind	Product No.	Type	Voltage	Country
a	4000383031	DME65/0	230V	IN2					



Pos	Index	Quanti	Article No.	Designation	Pos	Index	Quanti	Article No.	Designation
0004	a.....	1	4931622899	CONNECTION CABLE	0127	a.....	1	4931622933	SCREW
0005	a.....	1	4931217556	CABLE ENTRY SLEEVE	0131	a.....	1	4931369479	CARBON BRUSH SET
0006	a.....	8	4931622765	SCREW	0133	a.....	1	4931383034	HANDLE
0007	a.....	1	4931383046	RATING PLATE	0134	a.....	1	4931383035	YOKE
0008	a.....	1	4931378792	TYPE PLATE	0135	a.....	1	4931383044	SWITCH
0070	a.....	1	4932383040	CARRYING CASE	0136	a.....	2	4931940611	SCREW
0100	a.....	1	4931362790	MOTOR HOUSING	0140	a.....	1	4931329272	CAPACITOR
0105	a.....	1	4931393419	REPAIR KIT	0141	a.....	1	4931329273	CABLE COLLAR
0106	a.....	1	4931393354	ARMATURE	0142	a.....	1	4931013472	SCREW
0107	a.....	1	4931334394	FAN	0144	a.....	5	4931618253	SCREW
0108	a.....	1	4931341741	BALL BEARING	0145	a.....	1	4931300231	CLAMPING PIECE
0110	a.....	1	4931329084	SEAL RING	0146	a.....	1	4931329171	SWITCH MOUNTING
0114	a.....	1	4931326156	AIR DEFLECTOR RING	0147	a.....	1	4931329503	SEAL RING
0115	a.....	1	4931329118	GREASE RETAIN.DISC	0148	a.....	1	4931329122	SUPPORT
0116	a.....	2	4931329079	BRUSH HOLDER	0149	a.....	1	4931341889	SPRING
0117	a.....	2	4931378798	COVER	0150	a.....	1	4931369589	ELECTRONIC ELEMENT
0118	a.....	2	4931624538	SCREW	0160	a.....	1	4931362583	FLANGE NUT
0119	a.....	2	4931329170	SCREW	0201	a.....	1	4931621981	SLEEVE
0120	a.....	1	4931329086	RUBBER SLEEVE	0202	a.....	2	4931391632	MODIFICATION SET
0121	a.....	2	4931619992	SPRING WASHER	0204	a.....	1	4931624305	BALL BEARING
0125	a.....	2	4931622831	WIRE	0205	a.....	1	4931623646	WASHER
0126	a.....	2	4931013472	SCREW	0206	a.....	1	4931334400	LOCKING RING

Repairs/modification and testing of electric power tools are to be carried out by specialists. The safety regulations according to DIN/VDE/CEE/AFNOR and other regulations valid in the different countries are to be observed.

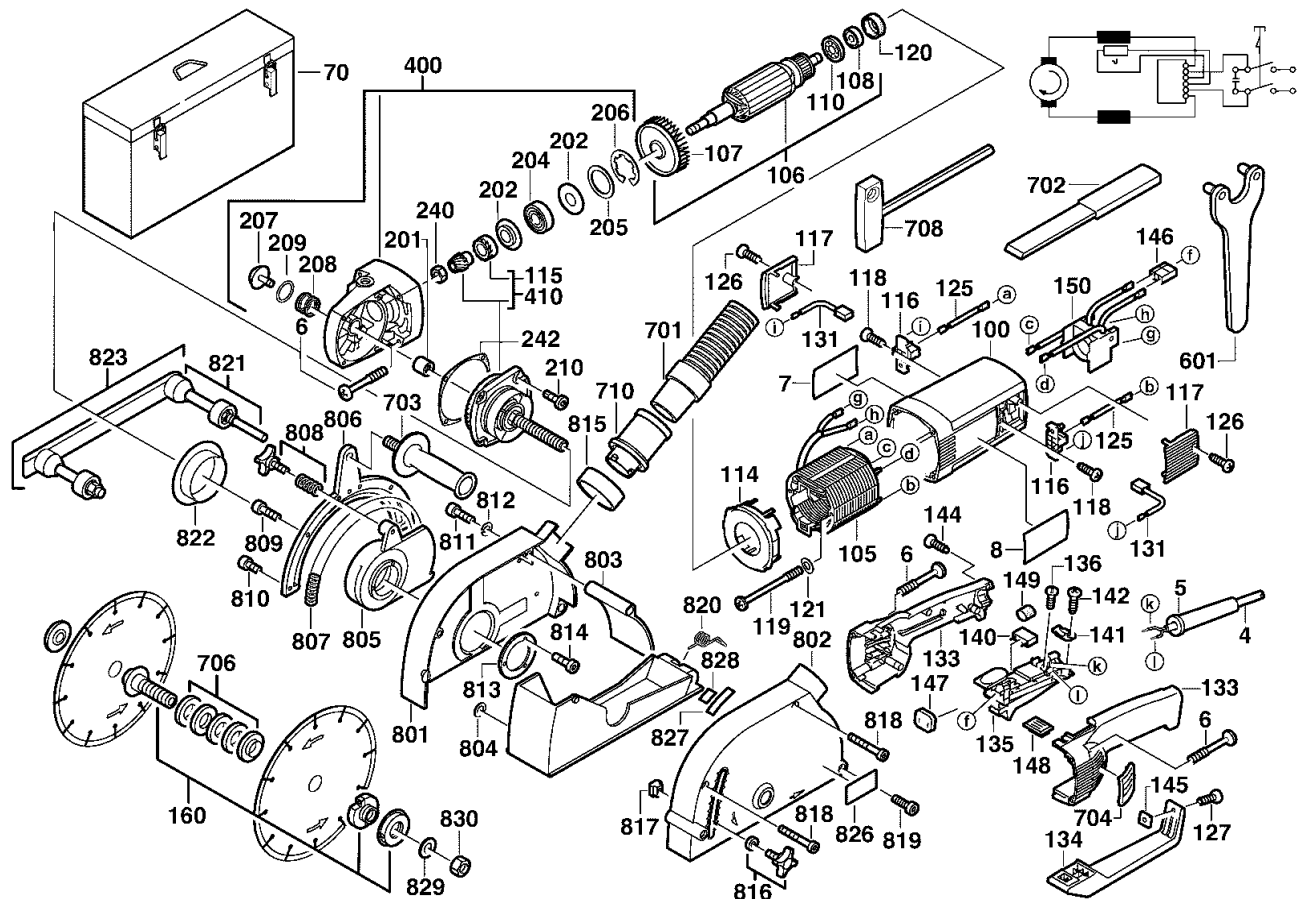
A & M Electric Tools

Angle Grinders

Ind Product No.	Type	Voltage	Country
a 4000383031	DME65/0	230V	IN2

Ind Product No.	Type	Voltage	Country

Milwaukee			
DME65/0			
Exp.view No.	Version	Date	Page
4926 3830 42	0001	12.06.01	2/2



Pos	Index	Quanti	Article No.	Designation	Pos	Index	Quanti	Article No.	Designation
0207	a.....	1	4931329107	LOCKING BOLT	0807	a.....	1	4931362973	PUSH SLIDE
0208	a.....	1	4931329173	PRESSURE SPRING	0808	a.....	1	4931362597	SET SCREW
0209	a.....	1	4931622764	O-RING	0809	a.....	6	4931606842	SCREW
0210	a.....	4	4931623424	SCREW	0810	a.....	1	4931614786	SCREW
0240	a.....	1	4931329494	NUT	0811	a.....	1	4931623800	SCREW
0242	a.....	1	4931329150	GASKET	0812	a.....	1	4931623799	SPRING WASHER
0400	a.....	1	4931378799	GEAR BOX	0813	a.....	1	4931362549	HOLDING DISC
0410	a.....	1	4931362581	DRIVE GEAR	0814	a.....	3	4931614786	SCREW
0601	a.....	1	4932367712	PIN SPANNER	0815	a.....	1	4931362598	HOSE COUPLING
0701	a.....	1	4932334704	SUCTION HOSE	0816	a.....	1	4931334713	HANDLE
0702	a.....	1	4932371358	BREAK-OUT CHISEL	0817	a.....	1	4931623754	SCREW
0703	a.....	1	4932209035	HANDLE	0818	a.....	2	4931623802	SCREW
0704	a.....	1	4932326525	DUST PROTEC. GRILLE	0819	a.....	1	4931622928	SCREW
0706	a.....	1	4931362797	CLAMPING SET	0820	a.....	1	4931362937	SIDE SPRING
0708	a.....	1	4931362928	T-SPANNER	0821	a.....	1	4931362616	SUPPORT ROLL
0710	a.....	1	4932362778	ADAPTER	0822	a.....	1	4931362599	ISOLATION SLAFE
0801	a.....	1	4931362535	SUCTION CAP	0823	a.....	1	4931362775	PARALLEL GUIDE
0802	a.....	1	4931362536	SUCTION CAP	0826	a.....	1	4931383017	NAME PLATE
0803	a.....	1	4931362537	AIR FLOW PLATE	0827	a.....	1	4931334659	DATA PLATE
0804	a.....	1	4931362540	ALTITUDE ADJUSTMEN	0828	a.....	1	4931334660	DATA PLATE
0805	a.....	1	4931362544	ASSEMBLING HOLDER	0829	a.....	1	4931623798	WASHER
0806	a.....	1	4931362548	SLIDE	0830	a.....	1	4931617200	NUT

Repairs/modification and testing of electric power tools are to be carried out by specialists. The safety regulations according to DIN/VDE/CEE/AFNOR and other regulations valid in the different countries are to be observed.