

A & M Electric Tools

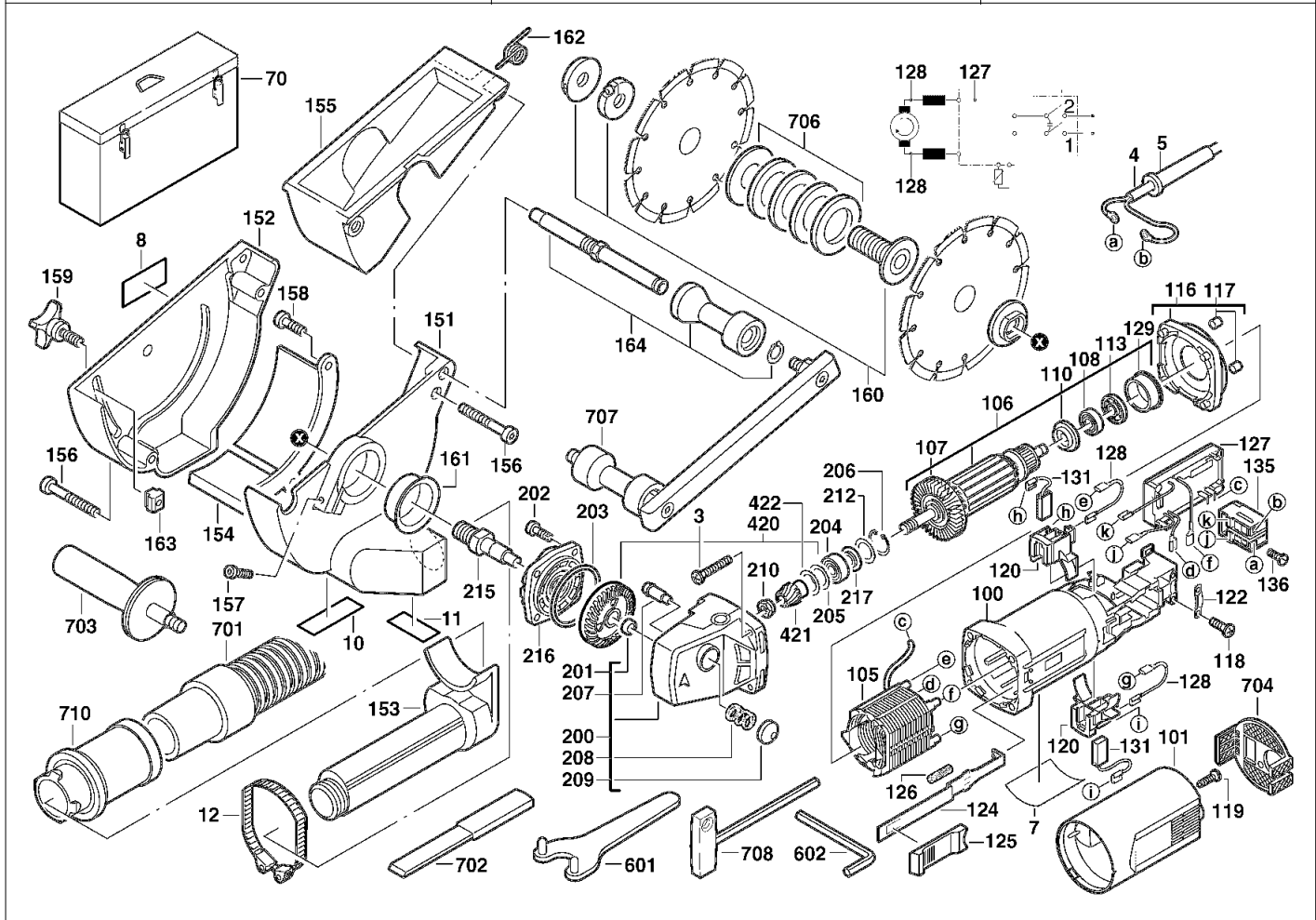
Angle Grinders

Ind	Product No.	Type	Voltage	Country
a	4000362931	DME45	230-240V	IN2
b	4000369431	DME45/0	230-240V	IN2

Ind	Product No.	Type	Voltage	Country

Atlas Copco
DME45

Exp.view No. Version Date Page
4926 3629 35 0008 17.10.01 1/2



Pos	Index	Quanti	Article No.	Designation	Pos	Index	Quanti	Article No.	Designation
0003	ab.....	4	4931621515	SCREW	0120	ab.....	2	4931326923	BRUSH HOLDER
0004	ab.....	1	4931623861	CONNECTION CABLE	0122	ab.....	1	4931256500	CABLE COLLAR
0005	ab.....	1	4931218785	CABLE ENTRY SLEEVE	0124	ab.....	1	4931326959	GUIDE PIECE
0007	a.....	1	4931362934	RATING PLATE	0125	ab.....	1	4931362904	SLIDER
0007	.b.....	1	4931369437	RATING PLATE	0126	ab.....	1	4931326981	PRESSURE SPRING
0008	ab.....	1	4931355979	NAME PLATE	0127	ab.....	1	4931362699	ELECTRONIC ELEMENT
0010	ab.....	1	4931334659	DATA PLATE	0128	ab.....	2	4931623738	WIRE
0011	ab.....	1	4931334660	DATA PLATE	0129	ab.....	1	4931326953	BEARING SLEEVE
0012	ab.....	1	4931334664	LATCH PLATE	0131	ab.....	1	4931369477	CARBON BRUSH SET
0070	ab.....	1	4931362774	CARRYING CASE	0135	ab.....	1	4931326976	SWITCH
0100	ab.....	1	4931326911	HOUSING	0136	ab.....	2	4931617313	SCREW
0101	ab.....	1	4931326966	HOUSING CAP	0151	ab.....	1	4931362529	SUCTION CAP
0105	ab.....	1	4931378394	ELECTRIC FIELD	0152	ab.....	1	4931362530	GUARD CAP
0106	ab.....	1	4931362959	ARMATURE	0153	ab.....	1	4931334710	CONNECTION
0107	ab.....	1	4931341088	FAN	0154	ab.....	1	4931362531	AIR FLOW PLATE
0108	ab.....	1	4931901253	BALL BEARING	0155	ab.....	1	4931362532	ALTITUDE ADJUSTMEN
0110	ab.....	1	4931271823	INSULATING DISC	0156	ab.....	2	4931623867	SCREW
0113	ab.....	1	4931307147	MAGNETIC DISC	0157	ab.....	1	4931622928	SCREW
0116	ab.....	1	4931362611	INTERMEDIATE FLANG	0158	ab.....	2	4931617290	SCREW
0117	ab.....	2	4931271824	HOLDING-DOWN DEVIC	0159	ab.....	1	4931334713	HANDLE
0118	ab.....	2	4931624538	SCREW	0160	ab.....	1	4931362938	FLANGE NUT
0119	ab.....	1	4931619914	SCREW	0161	ab.....	1	4931362742	ISOLATION SLAFE

Repairs/modification and testing of electric power tools are to be carried out by specialists. The safety regulations according to DIN/VDE/CEE/AFNOR and other regulations valid in the different countries are to be observed.

A & M Electric Tools

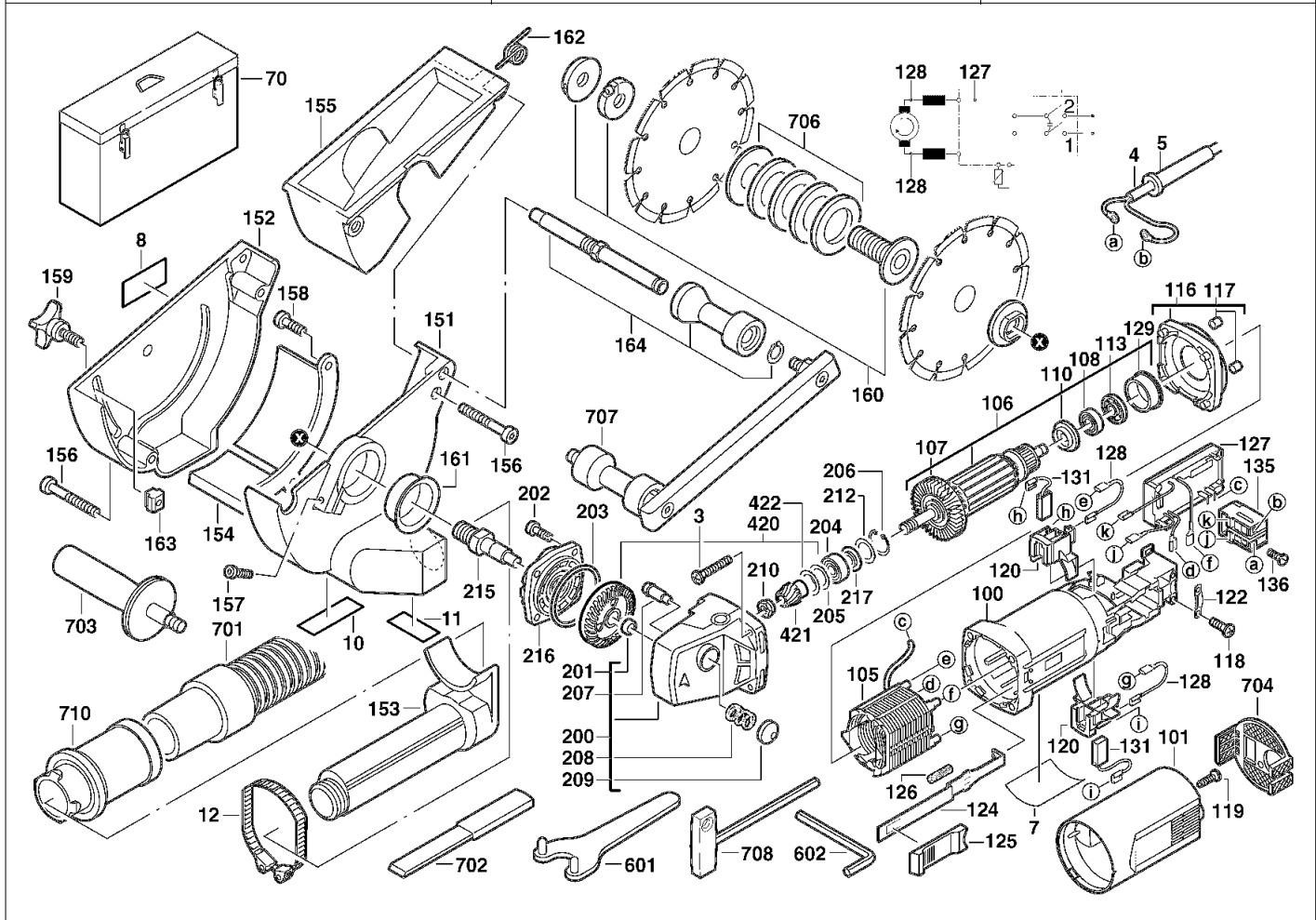
Angle Grinders

Ind	Product No.	Type	Voltage	Country
a	4000362931	DME45	230-240V	IN2
b	4000369431	DME45/0	230-240V	IN2

Ind	Product No.	Type	Voltage	Country

Atlas Copco
DME45

Exp.view No. Version Date Page
4926 3629 35 0008 17.10.01 2/2



Pos	Index	Quanti	Article No.	Designation	Pos	Index	Quanti	Article No.	Designation
0162	ab.....	1	4931362937	SIDE SPRING	0602	ab.....	1	4931606753	SCREW DRIVER
0163	ab.....	1	4931623754	SCREW	0701	ab.....	1	4932334704	SUCTION HOSE
0164	ab.....	1	4931362533	SUPPORT ROLL	0702	ab.....	1	4932371358	BREAK-OUT CHISEL
0200	ab.....	1	4931369768	GEAR BOX	0703	ab.....	1	4932279371	HANDLE
0201	ab.....	1	4931912093	SLEEVE	0704	ab.....	1	4932329397	DUST PROTEC. GRILLE
0202	ab.....	4	4931317532	SCREW	0706	ab.....	1	4931362797	CLAMPING SET
0203	ab.....	1	4931254894	COMPENSATING WASH	0707	ab.....	1	4932362776	CIRCULAR GUIDE
0204	ab.....	1	4931368037	GROOVED BALL BEAR.	0708	ab.....	1	4931362928	T-SPANNER
0205	ab.....	1	4931362085	WASHER	0710	ab.....	1	4932362778	ADAPTER
0206	ab.....	1	4931616614	LOCKING RING					
0207	ab.....	1	4931326929	LOCKING BOLT					
0208	ab.....	1	4931326942	PRESSURE SPRING					
0209	ab.....	1	4931326930	PUSH-BUTTON					
0210	ab.....	1	4931325518	NUT					
0212	ab.....	1	4931622761	DISC					
0215	ab.....	1	4931369771	SPINDLE					
0216	ab.....	1	4931385801	BEARING END PLATE					
0217	ab.....	1	4931622009	SEAL RING					
0420	ab.....	1	4931407029	BEVEL GEAR PAIR					
0421	ab.....	1	4931369498	PINION					
0422	ab.....	1	4931362086	WASHER					
0601	ab.....	1	4932367712	PIN SPANNER					

Repairs/modification and testing of electric power tools are to be carried out by specialists. The safety regulations according to DIN/VDE/CEE/AFNOR and other regulations valid in the different countries are to be observed.