

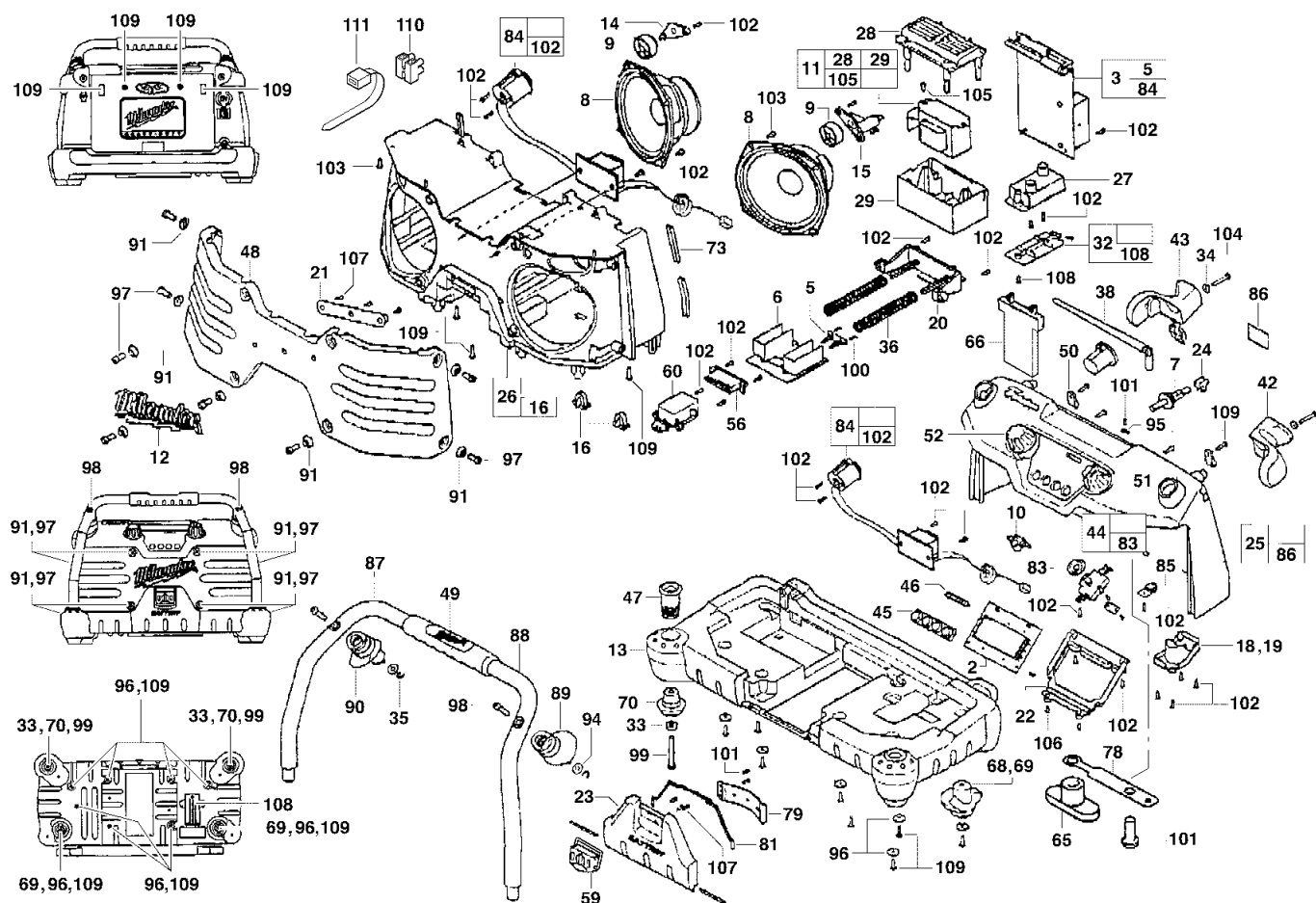
# A & M Electric Tools

# Various tools

|                 |         |          |         |
|-----------------|---------|----------|---------|
| Ind Product No. | Type    | Voltage  | Country |
| a 4000393445    | JSR1228 | 220-240V | IN2     |

|                 |      |         |         |
|-----------------|------|---------|---------|
| Ind Product No. | Type | Voltage | Country |
|                 |      |         |         |

|                 |         |          |      |
|-----------------|---------|----------|------|
| Milwaukee       |         |          |      |
| <b>JSR 1228</b> |         |          |      |
| Exp.view No.    | Version | Date     | Page |
| 4926 3934 46    | 0001    | 03.01.06 | 1/2  |



| Pos  | Index  | Quanti | Article No. | Designation         |
|------|--------|--------|-------------|---------------------|
| 0002 | a..... | 1      | 22091670    | ELECTRONIC          |
| 0003 | a..... | 1      | 22091548    | SPEAKER             |
| 0005 | a..... | 1      | 22091651    | BATTERY             |
| 0006 | a..... | 1      | 22560850    | BATTERY             |
| 0007 | a..... | 1      | 22641090    | CABLE SET           |
| 0008 | a..... | 2      | 23452025    | SPEAKER             |
| 0009 | a..... | 2      | 23452100    | SPEAKER             |
| 0010 | a..... | 1      | 23660740    | CONTROL PART        |
| 0011 | a..... | 1      | 23810570    | TRANSFORMER         |
| 0012 | a..... | 1      | 31011080    | LABEL               |
| 0013 | a..... | 1      | 31060200    | BASE PLATE          |
| 0014 | a..... | 1      | 31100320    | BRACKET TWEET.RIGHT |
| 0015 | a..... | 1      | 31100325    | BRACKET TWEET.LEFT  |
| 0016 | a..... | 2      | 31100330    | MOUNT SPEAKER       |
| 0018 | a..... | 1      | 31100370    | MOUNT SPEAKER       |
| 0019 | a..... | 1      | 31100375    | MOUNT SPEAKER       |
| 0020 | a..... | 1      | 31100390    | BATTERY             |
| 0021 | a..... | 1      | 31120320    | PLATE               |
| 0022 | a..... | 1      | 31150725    | COVER               |
| 0023 | a..... | 1      | 31152100    | BATTERY             |
| 0024 | a..... | 1      | 31170420    | CLAMP               |
| 0025 | a..... | 1      | 31500925    | HOUSING             |

| Pos  | Index  | Quanti | Article No. | Designation    |
|------|--------|--------|-------------|----------------|
| 0026 | a..... | 1      | 31500996    | SPEAKER        |
| 0027 | a..... | 1      | 31501195    | HOUSING        |
| 0028 | a..... | 1      | 31501560    | TRANSFORMER    |
| 0029 | a..... | 1      | 31501565    | TRANSFORMER    |
| 0032 | a..... | 1      | 31152090    | LID            |
| 0033 | a..... | 2      | 31580610    | RING           |
| 0034 | a..... | 4      | 31860250    | SPACER         |
| 0035 | a..... | 2      | 34802025    | RETAINING RING |
| 0036 | a..... | 2      | 40500670    | SPRING         |
| 0038 | a..... | 1      | 42091005    | ANTENNA        |
| 0042 | a..... | 1      | 42380270    | SUCTION SLEEVE |
| 0043 | a..... | 1      | 42380275    | SUCTION SLEEVE |
| 0044 | a..... | 1      | 42420500    | POTENTIOMETER  |
| 0045 | a..... | 1      | 42420520    | PAD            |
| 0046 | a..... | 1      | 42420530    | PAD            |
| 0047 | a..... | 2      | 42820100    | HANDLE         |
| 0048 | a..... | 1      | 43520080    | SPEAKER        |
| 0049 | a..... | 1      | 43621325    | HANDLE         |
| 0050 | a..... | 2      | 43740275    | HOOK           |
| 0051 | a..... | 1      | 43980540    | KNOB           |
| 0052 | a..... | 1      | 43980545    | KNOB           |
| 0056 | a..... | 1      | 44200625    | BATTERY        |

Repairs/modification and and testing of electric power tools are to be carried out by specialists. The safety regulations according to DIN/VDE/CEE/AFNOR and other regulations valid in the different countries are to be observed.

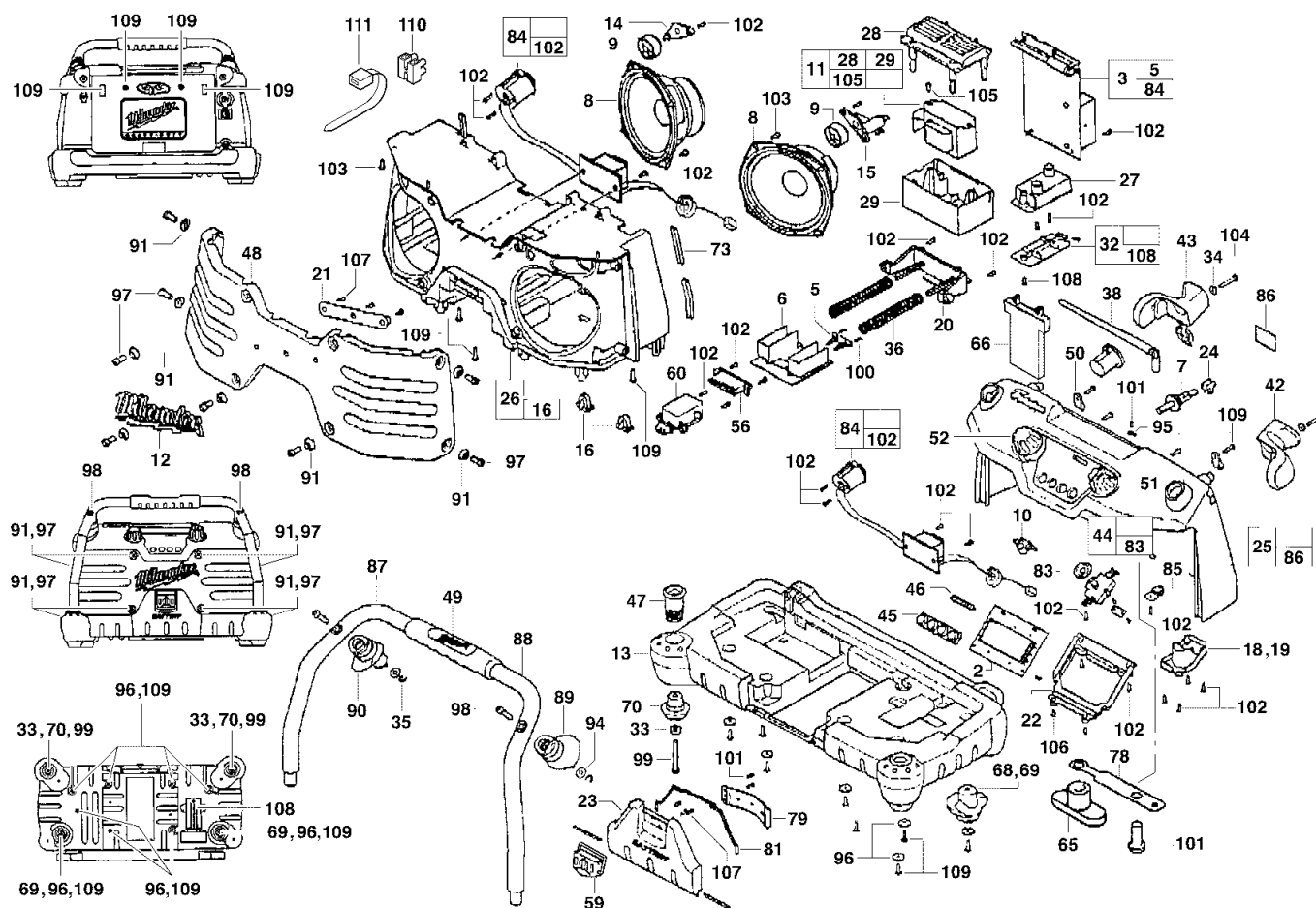
# A & M Electric Tools

# Various tools

|                 |         |          |         |
|-----------------|---------|----------|---------|
| Ind Product No. | Type    | Voltage  | Country |
| a 4000393445    | JSR1228 | 220-240V | IN2     |

|                 |      |         |         |
|-----------------|------|---------|---------|
| Ind Product No. | Type | Voltage | Country |
|                 |      |         |         |

|                 |         |          |      |
|-----------------|---------|----------|------|
| Milwaukee       |         |          |      |
| <b>JSR 1228</b> |         |          |      |
| Exp.view No.    | Version | Date     | Page |
| 4926 3934 46    | 0001    | 03.01.06 | 2/2  |



| Pos  | Index  | Quanti | Article No. | Designation    | Pos  | Index  | Quanti | Article No. | Designation |
|------|--------|--------|-------------|----------------|------|--------|--------|-------------|-------------|
| 0059 | a..... | 1      | 44201075    | LATCH          | 0096 | a..... | 7      | 45881625    | WASHER      |
| 0060 | a..... | 1      | 44201045    | BATTERY        | 0097 | a..... | 8      | 05850025    | SCREW       |
| 0065 | a..... | 1      | 44340290    | SCREW          | 0098 | a..... | 2      | 05850030    | SCREW       |
| 0066 | a..... | 1      | 44520800    | BATTERY        | 0099 | a..... | 2      | 05850035    | SCREW       |
| 0068 | a..... | 1      | 44520765    | PAD            | 0100 | a..... | 2      | 05880600    | SCREW       |
| 0069 | a..... | 1      | 44520770    | PAD            | 0101 | a..... | 4      | 05880625    | SCREW       |
| 0070 | a..... | 2      | 44520810    | PAD            | 0102 | a..... | 33     | 05880660    | SCREW       |
| 0073 | a..... | 1      | 44520920    | PAD            | 0103 | a..... | 12     | 05880670    | SCREW       |
| 0078 | a..... | 1      | 44661050    | ANTENNA        | 0104 | a..... | 2      | 05880680    | SCREW       |
| 0079 | a..... | 1      | 44860290    | RETAINER       | 0105 | a..... | 2      | 05880690    | SCREW       |
| 0081 | a..... | 1      | 45060870    | SEAL           | 0106 | a..... | 6      | 05880700    | SCREW       |
| 0083 | a..... | 1      | 45060850    | SEAL           | 0107 | a..... | 6      | 05880710    | SCREW       |
| 0084 | a..... | 1      | 45340170    | SPANNER INSERT | 0108 | a..... | 1      | 05880720    | SCREW       |
| 0085 | a..... | 1      | 45340160    | SPANNER INSERT | 0109 | a..... | 17     | 05880730    | SCREW       |
| 0086 | a..... | 1      | 45563000    | COVER          | 0110 | a..... | 1      | 22560635    | TERMINAL    |
| 0087 | a..... | 1      | 45600630    | SUPPORT ROLL   | 0111 | a..... | 1      | 23780100    | WIRE        |
| 0088 | a..... | 1      | 45600635    | SUPPORT ROLL   |      |        |        |             |             |
| 0089 | a..... | 1      | 45760440    | BONDER         |      |        |        |             |             |
| 0090 | a..... | 1      | 45760445    | BONDER         |      |        |        |             |             |
| 0091 | a..... | 8      | 45880880    | WASHER         |      |        |        |             |             |
| 0094 | a..... | 2      | 45880980    | WASHER         |      |        |        |             |             |
| 0095 | a..... | 1      | 45881600    | WASHER         |      |        |        |             |             |

Repairs/modification and testing of electric power tools are to be carried out by specialists. The safety regulations according to DIN/VDE/CEE/AFNOR and other regulations valid in the different countries are to be observed.