

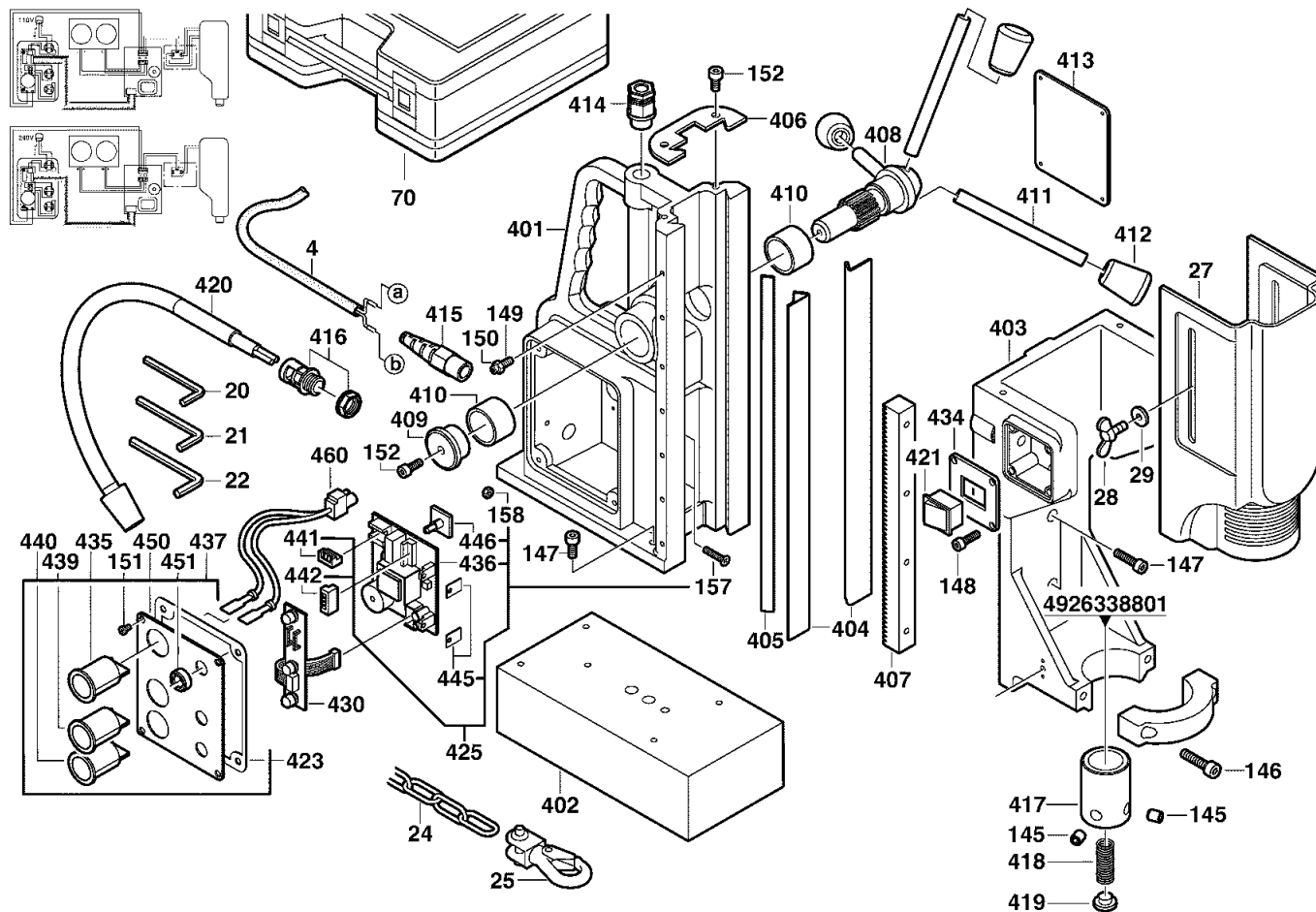
A & M Electric Tools

Drill accessories

Ind	Product No.	Type	Voltage	Country
a	4000380851	MD4-85	230V	IN2
b	4000380843	MD4-85	110V	GB1

Ind	Product No.	Type	Voltage	Country
-----	-------------	------	---------	---------

Milwaukee			
MD 4-85			
Exp.view No.	Version	Date	Page
4926 3808 45	0002	27.04.05	1/2



Pos	Index	Quanti	Article No.	Designation	Pos	Index	Quanti	Article No.	Designation
0004	a.....	1	4931380049	CONNECTION CABLE	0402	ab.....	1	4931380013	MAGNETIC FOOT
0004	b.....	1	4931380048	CONNECTION CABLE	0403	ab.....	1	4931380014	FRAME
0020	ab.....	1	4931606714	KEY	0404	ab.....	2	4931380015	LEDGE
0021	ab.....	1	4931606738	KEY	0405	ab.....	1	4931380016	PARALLEL GUIDE
0022	ab.....	1	4931616056	HEX WRENCH	0406	ab.....	1	4931380017	COVER PLATE
0024	ab.....	1	4931371780	CHAIN	0407	ab.....	1	4931380018	TOOTH RACK
0025	ab.....	1	4931371781	HOOK	0408	ab.....	1	4931380019	FEED SPINDLE
0027	ab.....	1	4931371787	SAFTY GUARD	0409	ab.....	1	4931380020	END PIECE
0028	ab.....	1	4931313528	WINGED SCREW	0410	ab.....	2	4931380021	BEARING BRACKET
0029	ab.....	1	4931904642	DISC	0411	ab.....	3	4931380022	LEVER
0070	ab.....	1	4931371786	CARRYING CASE	0412	ab.....	3	4931380023	HANDLE
0145	ab.....	2	4931622523	SCREW	0413	a.....	1	4931380853	RATING PLATE
0146	ab.....	2	4931624082	SCREW	0413	b.....	1	4931380846	RATING PLATE
0147	ab.....	7	4931622928	SCREW	0414	ab.....	1	4931380025	FITTING
0148	ab.....	4	9170327860	SCREW	0415	ab.....	1	4931380026	PROTECTING COVER
0149	ab.....	7	4931624084	SCREW	0416	b.....	1	4931380027	FITTING
0150	ab.....	7	4931618176	NUT	0417	ab.....	1	4931380028	ADAPTER SHANK
0151	ab.....	4	4931614786	SCREW	0418	ab.....	1	4931380029	PRESSURE SPRING
0152	ab.....	3	4931607033	SCREW	0419	ab.....	1	4931380030	THRUST PIECE
0157	ab.....	2	4931624085	SCREW	0420	ab.....	1	4931380031	PROTECTIVE SLEEVE
0158	ab.....	2	4931613998	NUT	0421	ab.....	1	4931380032	SWITCH
0401	ab.....	1	4931380012	BODY	0423	ab.....	1	4931380033	SEAL

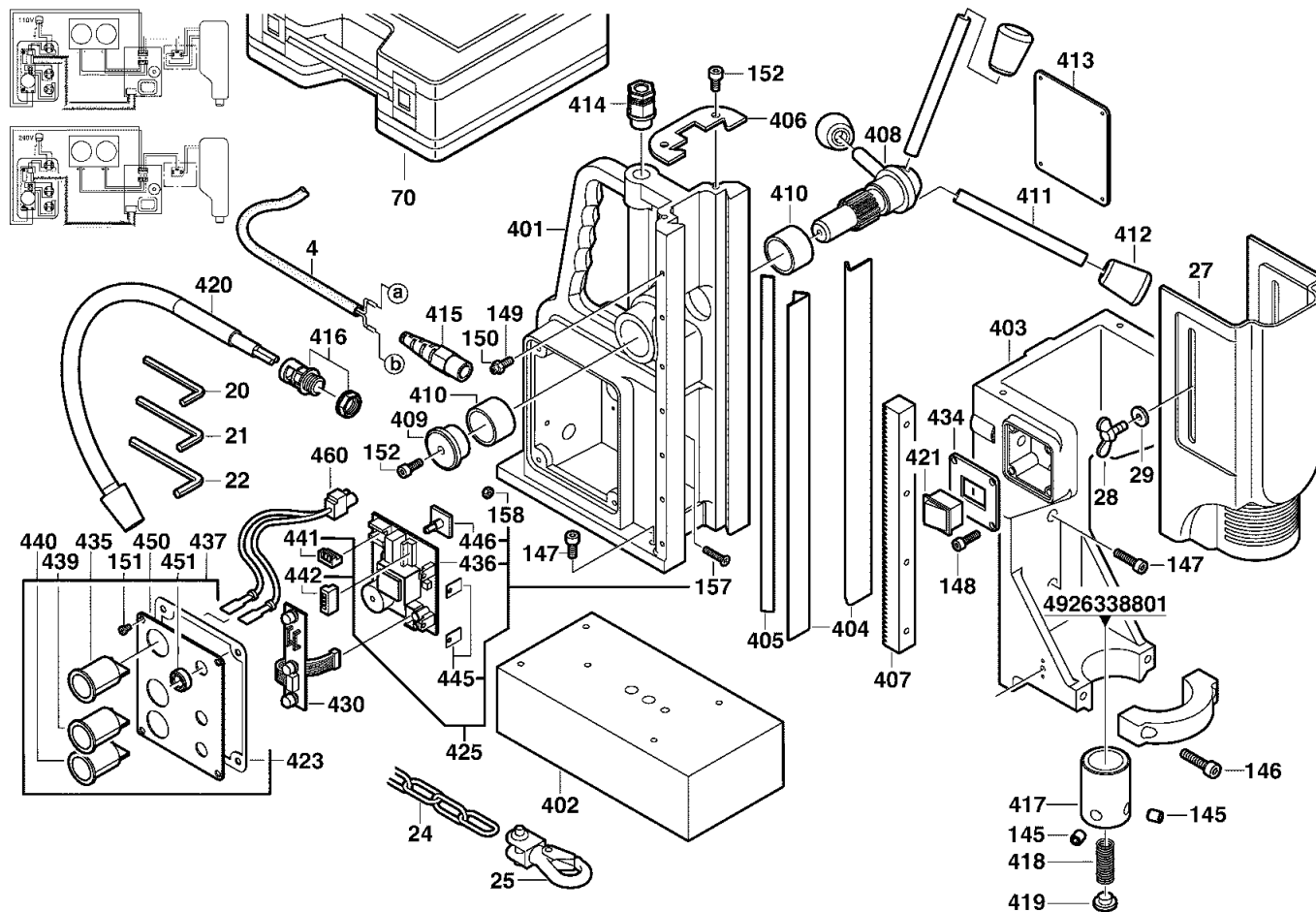
Repairs/modification and testing of electric power tools are to be carried out by specialists. The safety regulations according to DIN/VDE/CEE/AFNOR and other regulations valid in the different countries are to be observed.

A & M Electric Tools

Ind	Product No.	Type	Voltage	Country
a	4000380851	MD4-85	230V	IN2
b	4000380843	MD4-85	110V	GB1

Drill accessories

Ind	Product No.	Type	Voltage	Country
Milwaukee				
MD 4-85				
Exp.view No.	Version	Date	Page	
4926 3808 45	0002	27.04.05	2/2	



Pos	Index	Quanti	Article No.	Designation
0425	a.....	1	4931380872	PRINTED CIRC. BOARD
0425	.b.....	1	4931380871	PRINTED CIRC. BOARD
0430	a.....	1	4931380893	ELECTRONIC
0430	.b.....	1	4931380892	ELECTRONIC
0434	ab.....	1	4931380034	COVER PLATE
0435	ab.....	1	4931380043	SWITCH ON-OFF
0436	a.....	1	4931380876	PRINTED CIRC. BOARD
0436	.b.....	1	4931380875	PRINTED CIRC. BOARD
0437	ab.....	1	4931380896	SWITCH BOARD
0439	ab.....	1	4931380037	SWITCH MAGNETIC
0440	ab.....	1	4931380038	SWITCH MOTOR
0441	ab.....	1	4931380041	PLUG
0442	ab.....	1	4931380042	PLUG
0445	ab.....	2	4931380045	PLATE
0446	ab.....	2	4931380046	SUPPORT
0450	ab.....	1	4931380848	FASTENING BOW
0451	ab.....	3	4931380039	SEAL
0460	ab.....	1	4931396235	CONNECTION CABLE

Pos	Index	Quanti	Article No.	Designation
413				
414				
415				
416				
417				
418				
419				
420				
421				
422				
423				
424				
425				
426				
427				
428				
429				
430				
431				
432				
433				
434				
435				
436				
437				
438				
439				
440				
441				
442				
443				
444				
445				
446				
447				
448				
449				
450				
451				
452				
453				
454				
455				
456				
457				
458				
459				
460				
461				
462				
463				
464				
465				
466				
467				
468				
469				
470				
471				
472				
473				
474				
475				
476				
477				
478				
479				
480				
481				
482				
483				
484				
485				
486				
487				
488				
489				
490				
491				
492				
493				
494				
495				
496				
497				
498				
499				
500				

Repairs/modification and testing of electric power tools are to be carried out by specialists. The safety regulations according to DIN/VDE/CEE/AFNOR and other regulations valid in the different countries are to be observed.