

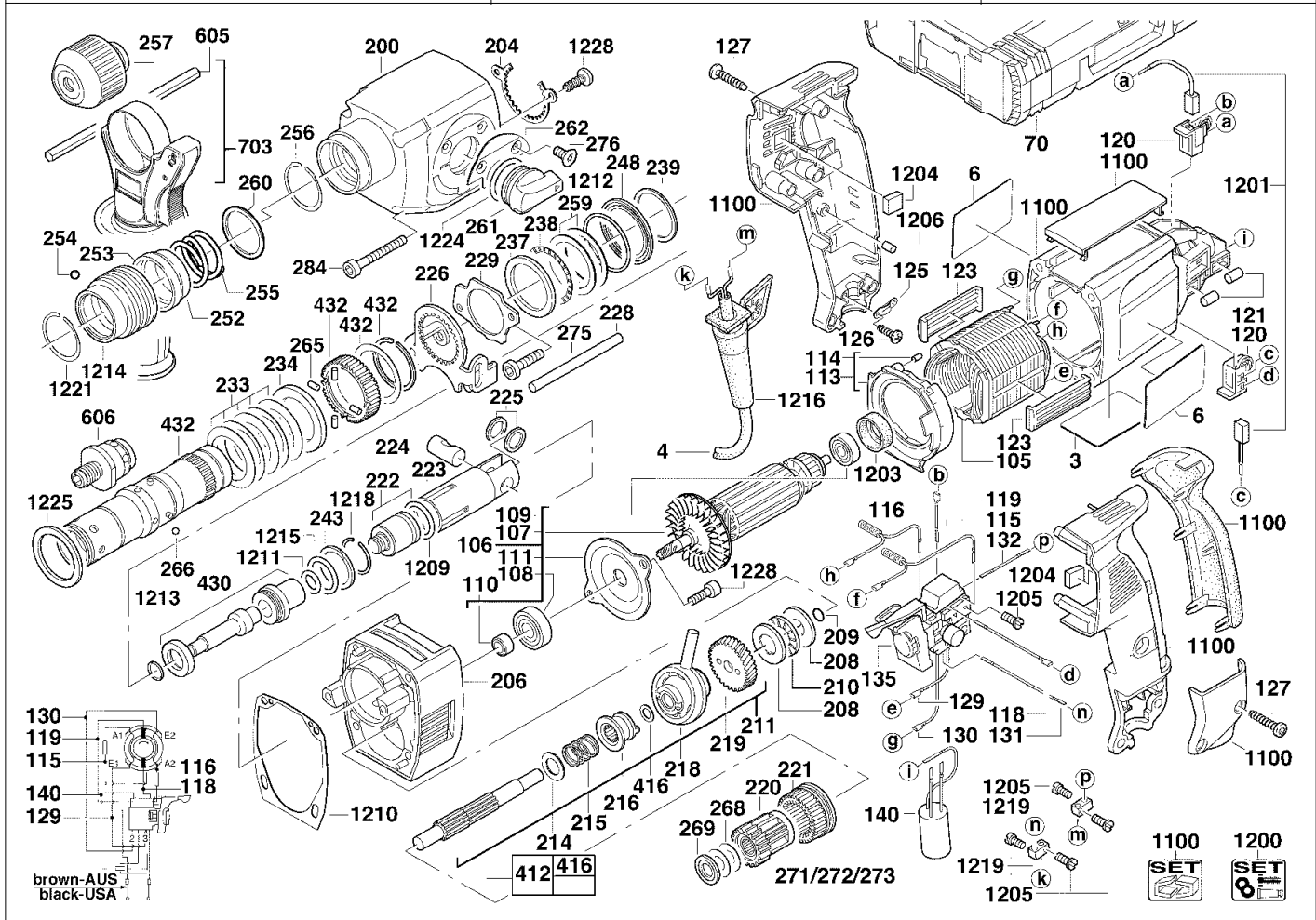
A & M Electric Tools

Rotary Hammers

Ind	Product No.	Type	Voltage	Country
a	4000382386	PPH26XE	220-240V	IN2
b	4000384087	PPH26XE	110-120V	GB1

Ind	Product No.	Type	Voltage	Country

Milwaukee			
PPH 26 XE			
Exp.view No.	Version	Date	Page
4926 3823 88	0007	25.08.04	1/3



Pos	Index	Quanti	Article No.	Designation	Pos	Index	Quanti	Article No.	Designation
0003	a.....	1	4931382392	RATING PLATE	0118	.b.....	1	4931623360	WIRE
0003	.b.....	1	4931384090	RATING PLATE	0119	a.....	1	4931623126	WIRE
0004	a.....	1	4931623392	CONNECTION CABLE	0119	.b.....	1	4931623361	WIRE
0004	.b.....	1	4931624010	CONNECTION CABLE	0120	ab.....	2	4931382268	BRUSH HOLDER
0006	ab.....	2	4931378806	TYPE PLATE	0121	ab.....	4	4931623123	ROLL
0070	ab.....	1	4932378986	CARRYING CASE	0123	ab.....	2	4931342808	CENTERING LEDGE
0105	a.....	1	4931342802	ELECTRIC FIELD	0125	ab.....	1	4931256500	CABLE COLLAR
0105	.b.....	1	4931343218	ELECTRIC FIELD	0126	ab.....	2	4931624538	SCREW
0106	a.....	1	4931344061	ARMATURE	0127	ab.....	6	4931618253	SCREW
0106	.b.....	1	4931343219	ARMATURE	0129	a.....	1	4931623127	WIRE
0107	ab.....	1	4931342793	FAN	0129	.b.....	1	4931623362	WIRE
0108	ab.....	1	4931623188	BALL BEARING	0130	a.....	1	4931623196	WIRE
0109	ab.....	1	4931901253	BALL BEARING	0130	.b.....	1	4931623363	WIRE
0110	ab.....	1	4931382148	SEALING SLEEVE	0131	a.....	1	4931622948	WIRE
0111	ab.....	1	4931267585	BEARING COVER	0131	.b.....	1	4931623364	WIRE
0113	ab.....	1	4931342794	AIR DEFLECTOR RING	0132	a.....	1	4931623136	WIRE
0114	ab.....	4	4931332524	HOLDING-DOWN DEVIC	0132	.b.....	1	4931623365	WIRE
0115	a.....	1	4931623121	CHOKING COIL	0135	a.....	1	4931382393	SWITCH BOARD
0115	.b.....	1	4931623359	WIRE	0135	.b.....	1	4931359581	SWITCH
0116	a.....	1	4931623122	CHOKING COIL	0140	ab.....	1	4931276760	CAPACITOR
0116	.b.....	1	4931623360	WIRE	0200	ab.....	1	4931382394	GEAR BOX
0118	a.....	1	4931623125	WIRE	0204	ab.....	1	4931331685	WASHER

Repairs/modification and testing of electric power tools are to be carried out by specialists. The safety regulations according to DIN/VDE/CEE/AFNOR and other regulations valid in the different countries are to be observed.

A & M Electric Tools

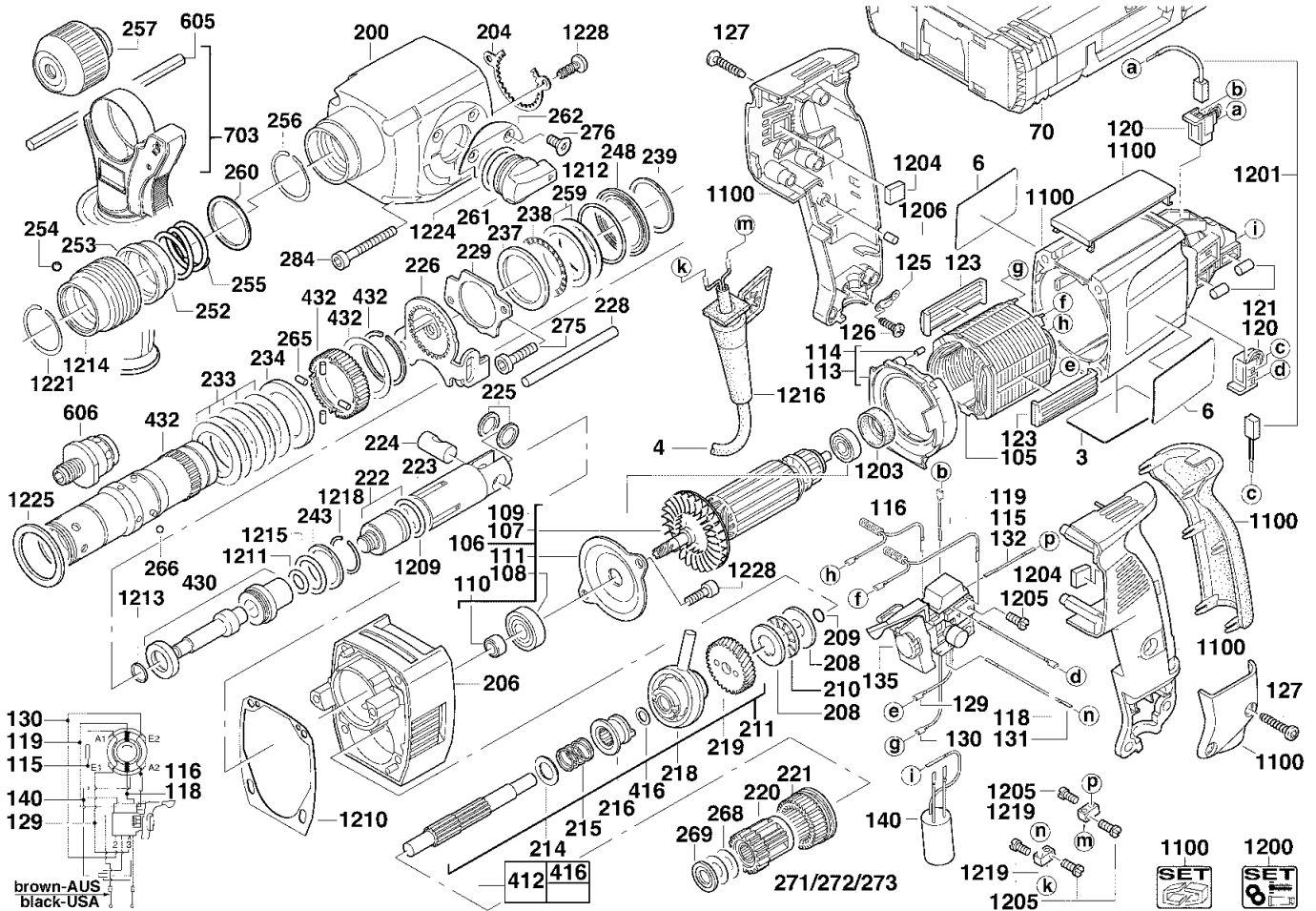
Rotary Hammers

Ind	Product No.	Type	Voltage	Country
a	4000382386	PPH26XE	220-240V	IN2
b	4000384087	PPH26XE	110-120V	GB1

Ind	Product No.	Type	Voltage	Country

Milwaukee			
PPH 26 XE			

Exp.view No. Version Date Page
4926 3823 88 0007 25.08.04 2/3



Pos	Index	Quanti	Article No.	Designation
0206	ab.....	1	4931382381	BEARING END PLATE
0208	ab.....	2	4931622575	AXIAL BEAR.WASHER
0209	ab.....	1	4931941082	O-RING
0210	ab.....	1	4931622567	AXIAL NEEDLE RING
0211	ab.....	1	4931379284	REDUCT. GEAR SHAFT
0214	ab.....	1	4931621983	DISC
0215	ab.....	1	4931379589	PRESSURE SPRING
0216	ab.....	1	4931379649	COUPLING SLEEVE
0218	ab.....	1	4931379116	WOBBLE DRIVE
0219	ab.....	1	4931387316	REDUCT GEAR WHEEL
0220	ab.....	1	4931384917	PLANET GEAR
0221	ab.....	1	4931331769	INTERN.GEARED WHE
0222	ab.....	1	4931382168	PERCUSSION BODY
0223	ab.....	1	4931379587	CYLINDER
0224	ab.....	1	4931331623	CYLINDRICAL BOLT
0225	ab.....	2	4931400589	WASHER
0226	ab.....	1	4931331752	SLIDER
0228	ab.....	1	4931623081	PIN
0229	ab.....	1	4931331787	LATCH PLATE
0233	ab.....	5	4931379071	CUP SPRING
0234	ab.....	1	4931379110	CLUTCH DISC
0237	ab.....	1	4931623199	WASHER

Pos	Index	Quanti	Article No.	Designation
0238	ab.....	1	4931331713	THRUST BEARING
0239	ab.....	1	4931343187	LOCKING WASHER
0243	ab.....	1	4931387338	THRUST COLLAR
0248	ab.....	1	4931343049	WASHER
0252	ab.....	1	4931382921	SLEEVE
0253	ab.....	1	4931379875	SLEEVE
0254	ab.....	6	4931805437	BALL
0255	ab.....	1	4931331754	PRESSURE SPRING
0256	ab.....	1	4931945764	SPRING RING
0257	ab.....	1	4931379739	ADAPTER
0259	ab.....	2	4931623200	WASHER
0260	ab.....	1	4931623234	WASHER
0261	ab.....	1	4931392506	SWITCH HANDLE
0262	ab.....	1	4931379108	LATCH PLATE
0265	ab.....	4	4931624045	CYLINDER PULLEY
0266	ab.....	4	4931805390	BALL
0268	ab.....	1	4931624096	DISC
0269	ab.....	1	4931379420	SPACER
0271	ab.....	1	4931624098	DISC
0272	ab.....	1	4931624097	DISC
0273	ab.....	1	4931624096	DISC
0275	ab.....	2	4931623260	SCREW

Repairs/modification and testing of electric power tools are to be carried out by specialists. The safety regulations according to DIN/VDE/CEE/AFNOR and other regulations valid in the different countries are to be observed.

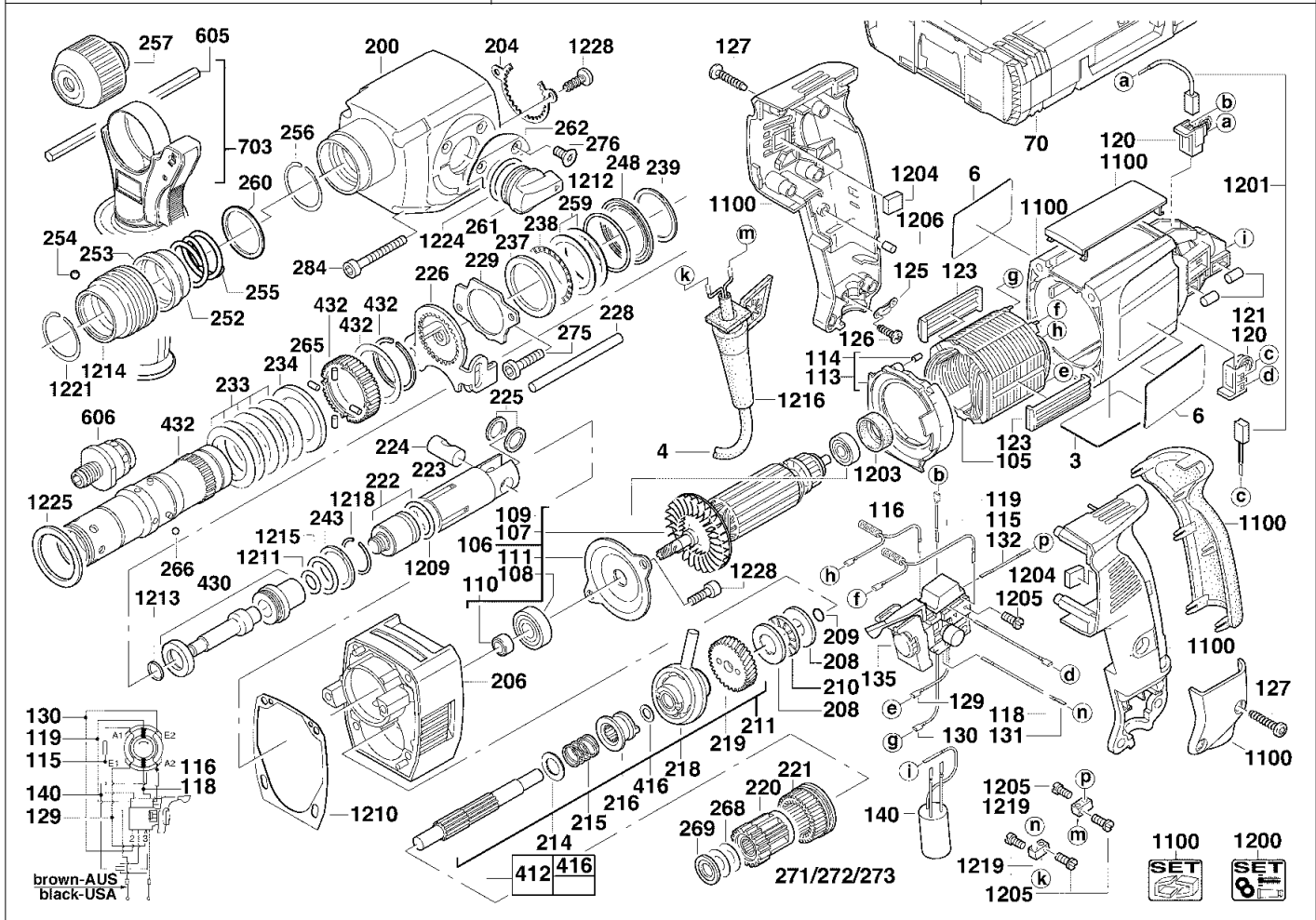
A & M Electric Tools

Rotary Hammers

Ind	Product No.	Type	Voltage	Country
a	4000382386	PPH26XE	220-240V	IN2
b	4000384087	PPH26XE	110-120V	GB1

Ind	Product No.	Type	Voltage	Country

Milwaukee			
PPH 26 XE			
Exp.view No.	Version	Date	Page
4926 3823 88	0007	25.08.04	3/3



Pos	Index	Quanti	Article No.	Designation
0276	ab.....	2	4931379109	SCREW
0284	ab.....	4	4931331734	SCREW
0412	ab.....	1	4931384864	REDUCT. GEAR SHAFT
0416	ab.....	1	4931624264	DISC
0430	ab.....	1	4931379881	REPAIR KIT
0432	ab.....	1	4931384927	REPAIR KIT
0605	ab.....	1	4931384434	DEPTH GAUGE
0606	ab.....	1	4931382287	CHUCK ADAPTER
0703	ab.....	1	4932373725	HANDLE
1100	ab.....	1	4931380477	BODY
1200	a.....	1	4931379870	MAINTENANCE SET
1200	.b.....	1	4931382201	MAINTENANCE SET
1201	a.....	1	4931392596	CARBON BRUSH SET
1201	.b.....	1	4931392595	CARBON BRUSH SET
1203	ab.....	1	4931254368	RUBBER SLEEVE
1204	ab.....	2	4931342803	DAMPING ELEMENT
1205	ab.....	6	4931621772	SCREW
1206	ab.....	1	4931271824	HOLDING-DOWN DEVIC
1209	ab.....	1	4931379705	SEAL RING
1210	ab.....	1	4931331735	GASKET
1211	ab.....	1	4931623468	RADIAL SEAL RING
1212	ab.....	1	4931623135	O-RING

Pos	Index	Quanti	Article No.	Designation
1213	ab.....	1	4931623232	SEAL RING
1214	ab.....	1	4931379022	SLEEVE
1215	ab.....	1	4931623616	SEAL RING
1216	ab.....	1	4931332161	CABLE ENTRY SLEEVE
1218	ab.....	1	4931623636	RING
1219	ab.....	2	4931307924	CONNECTOR
1221	ab.....	1	4931945764	SPRING RING
1224	ab.....	1	4931623293	O-RING
1225	ab.....	1	4931379585	FELT WASHER
1228	ab.....	4	4931379708	SCREW

Repairs/modification and testing of electric power tools are to be carried out by specialists. The safety regulations according to DIN/VDE/CEE/AFNOR and other regulations valid in the different countries are to be observed.