

# A & M Electric Tools

# Rotary Hammers

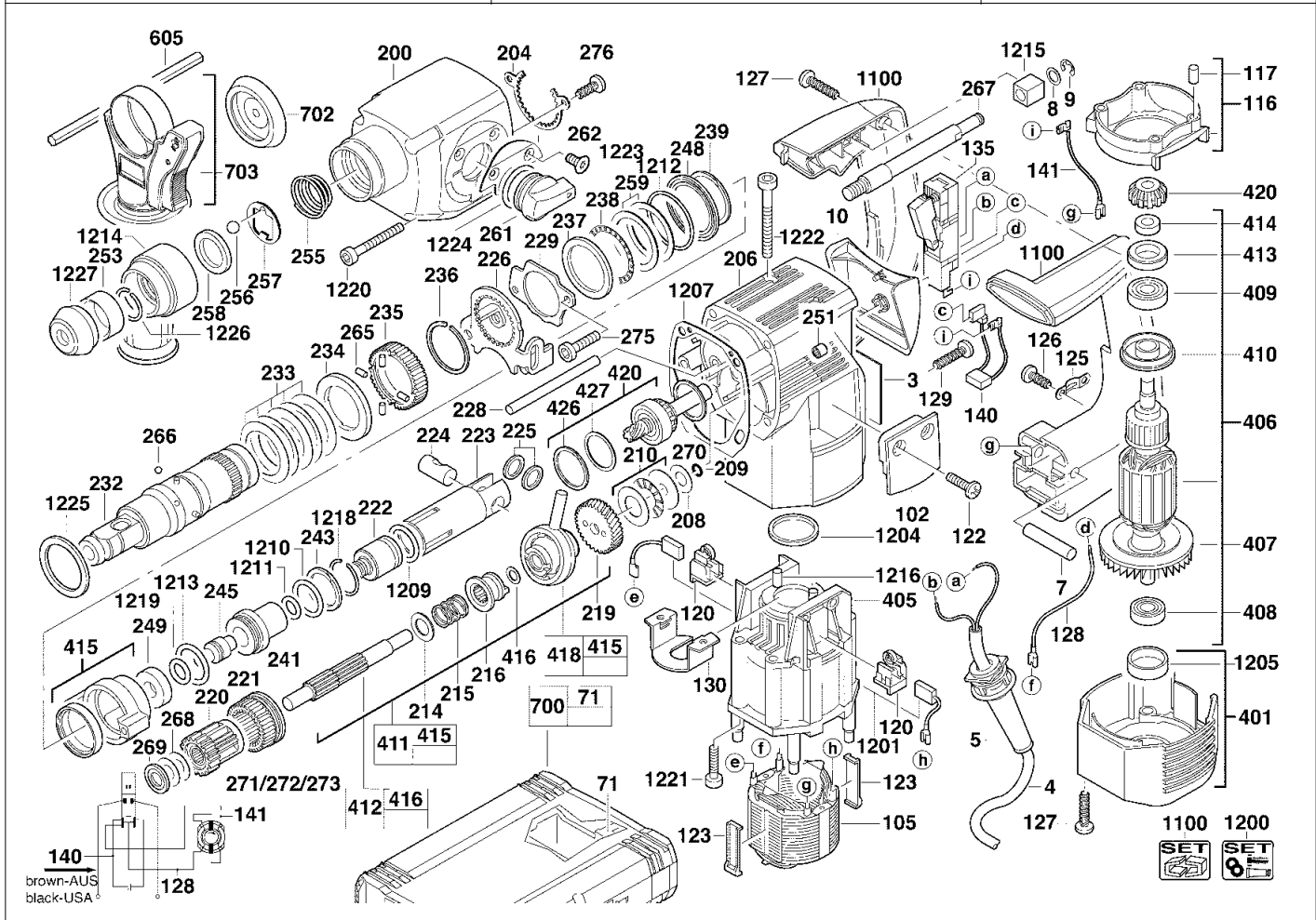
Milwaukee

## PLH 30 E

Exp.view No.      Version    Date      Page  
**4926 3847 33    0007 24.08.04 1/3**

Ind	Product No.	Type	Voltage	Country
a	4000384738	PLH30E	220-240V	IN2
b	4000384741	PLH30E	110-120V	GB1
c	4000384732	PLH30E	220-240V	AUS

Ind	Product No.	Type	Voltage	Country
-----	-------------	------	---------	---------



Pos	Index	Quanti	Article No.	Designation	Pos	Index	Quanti	Article No.	Designation
0003	a.....	1	4931384740	RATING PLATE	0126	abc.....	2	4931624516	SCREW
0003	.b.....	1	4931384743	RATING PLATE	0127	abc.....	7	4931624515	SCREW
0003	.c.....	1	4931384735	RATING PLATE	0128	abc.....	1	4931623541	WIRE
0004	a.....	1	4931250832	CONNECTION CABLE	0129	abc.....	1	4931622153	SCREW
0004	.b.....	1	4931623531	CONNECTION CABLE	0130	abc.....	1	4931356869	BEARING COVER
0004	.c.....	1	4931624341	CONNECTION CABLE	0135	ab.....	1	4931384896	SWITCH BOARD
0005	ab.....	1	4931392174	PROTECTING COVER	0135	.c.....	1	4931384895	SWITCH BOARD
0005	.c.....	1	4931392174	PROTECTING COVER	0140	abc.....	1	4931624270	CAPACITOR
0007	abc.....	1	4931623456	GROOVED DOWEL PIN	0141	abc.....	1	4931624269	WIRE
0008	abc.....	1	4931623094	WASHER	0200	abc.....	1	4931384040	GEAR BOX
0009	abc.....	1	4931621834	WASHER	0204	abc.....	1	4931331685	WASHER
0010	abc.....	1	4931360377	GEAR BOX COVER	0206	abc.....	1	4931382948	GEAR BOX
0071	abc.....	1	4931379401	INSERT	0208	abc.....	1	4931623637	WASHER
0102	abc.....	2	4931360518	PROTECTIVE CAP	0209	abc.....	1	4931941082	O-RING
0105	a.c.....	1	4931342802	ELECTRIC FIELD	0210	abc.....	1	4931360041	THRUST BEARING
0105	.b.....	1	4931343664	ELECTRIC FIELD	0214	abc.....	1	4931621983	DISC
0116	abc.....	1	4931353230	AIR DEFLECTOR RING	0215	abc.....	1	4931379589	PRESSURE SPRING
0117	abc.....	4	4931332524	HOLDING-DOWN DEVIC	0216	abc.....	1	4931379649	COUPLING SLEEVE
0120	abc.....	2	4931382268	BRUSH HOLDER	0219	abc.....	1	4931379097	REDUCT GEAR WHEEL
0122	abc.....	4	4931624267	SCREW	0220	abc.....	1	4931384917	PLANET GEAR
0123	abc.....	2	4931342808	CENTERING LEDGE	0221	abc.....	1	4931331769	INTERN.GEARED WHE
0125	abc.....	1	4931256500	CABLE COLLAR	0222	abc.....	1	4931382168	PERCUSSION BODY

Repairs/modification and testing of electric power tools are to be carried out by specialists. The safety regulations according to DIN/VDE/CEE/AFNOR and other regulations valid in the different countries are to be observed.

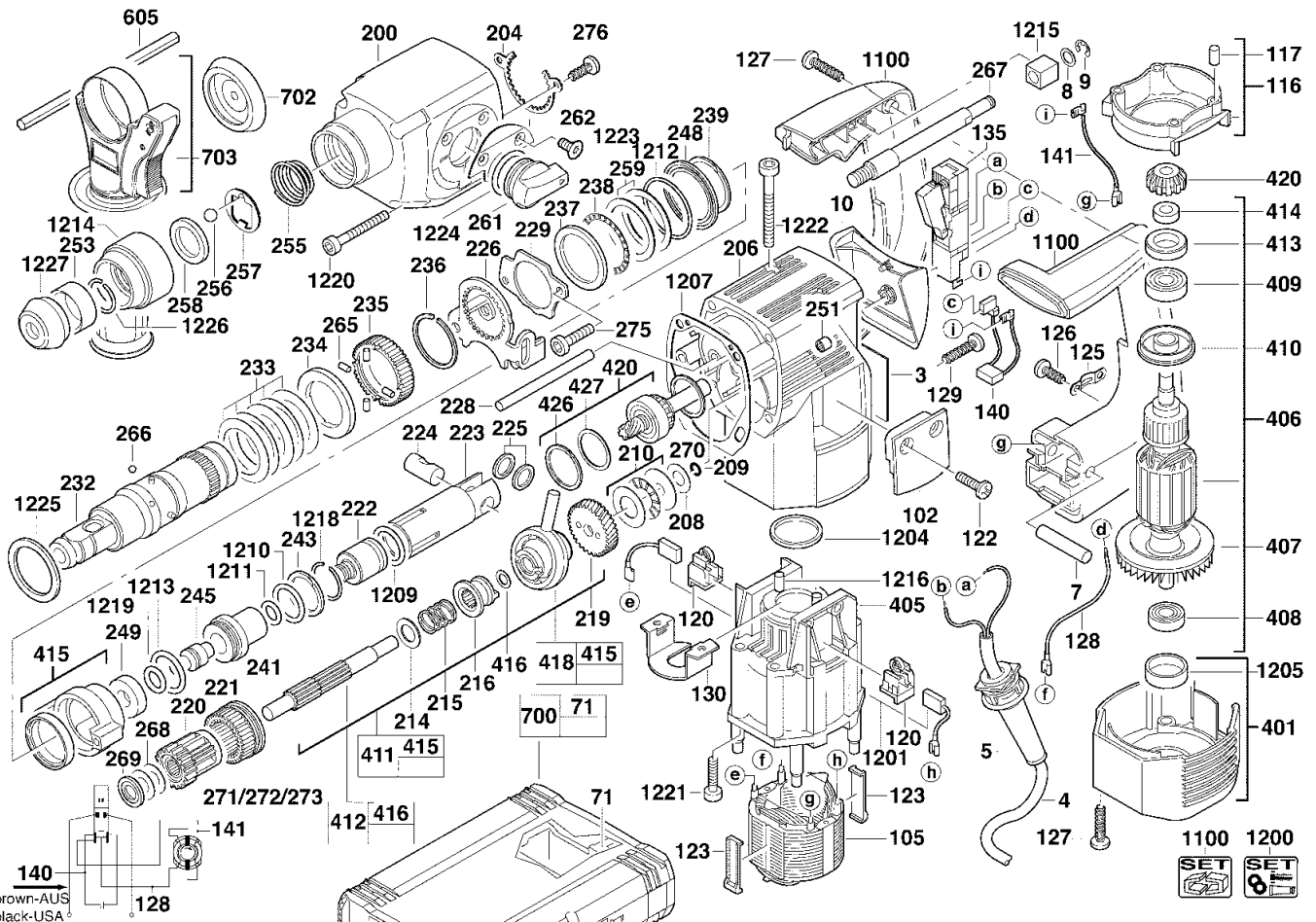
# A & M Electric Tools

Ind	Product No.	Type	Voltage	Country
a	4000384738	PLH30E	220-240V	IN2
b	4000384741	PLH30E	110-120V	GB1
c	4000384732	PLH30E	220-240V	AUS

# Rotary Hammers

Milwaukee  
**PLH 30 E**

Exp.view No.      Version      Date      Page  
**4926 3847 33      0007      24.08.04      2/3**



Pos	Index	Quanti	Article No.	Designation
0223	abc	1	4931379587	CYLINDER
0224	abc	1	4931331623	CYLINDRICAL BOLT
0225	abc	2	4931400589	WASHER
0226	abc	1	4931331752	SLIDER
0228	abc	1	4931623081	PIN
0229	abc	1	4931331787	LATCH PLATE
0232	abc	1	4931384923	SPINDLE SLEEVE
0233	abc	5	4931379071	CUP SPRING
0234	abc	1	4931379110	CLUTCH DISC
0235	abc	1	4931392752	SPINDLE GEAR
0236	abc	1	4931384919	SPRING RING
0237	abc	1	4931623199	WASHER
0238	abc	1	4931331713	THRUST BEARING
0239	abc	1	4931343187	LOCKING WASHER
0241	abc	1	4931387331	SLEEVE
0243	abc	1	4931387338	THRUST COLLAR
0245	abc	1	4931387329	SNAP DIE
0248	abc	1	4931343049	WASHER
0249	abc	1	4931382274	STOP WASHER
0251	abc	2	4931219424	NEEDLE BEARING
0253	abc	1	4931360861	DISTANCE SLEEVE
0255	abc	1	4931343128	PRESSURE SPRING

Pos	Index	Quanti	Article No.	Designation
0256	abc	1	4931911572	BALL
0257	abc	1	4931343127	SUPPORT PLATE
0258	abc	1	4931343126	HOLDING RING
0259	abc	2	4931623200	WASHER
0261	abc	1	4931392506	SWITCH HANDLE
0262	abc	1	4931379108	LATCH PLATE
0265	abc	4	4931624045	CYLINDER PULLEY
0266	abc	4	4931805390	BALL
0267	abc	1	4931400216	REPAIR KIT
0268	abc	1	4931624096	DISC
0269	abc	1	4931379420	SPACER
0270	abc	1	4931360013	RING
0271	abc	1	4931624098	DISC
0272	abc	1	4931624097	DISC
0273	abc	1	4931624096	DISC
0275	abc	2	4931623602	SCREW
0276	abc	2	4931379708	SCREW
0401	abc	1	4931360732	MOTOR COVER
0405	abc	1	4931384337	MOTOR HOUSING
0406	a.c.	1	4931360413	ARMATURE
0406	b.	1	4931356834	ARMATURE
0407	abc	1	4931342793	FAN

Repairs/modification and testing of electric power tools are to be carried out by specialists. The safety regulations according to DIN/VDE/CEE/AFNOR and other regulations valid in the different countries are to be observed.

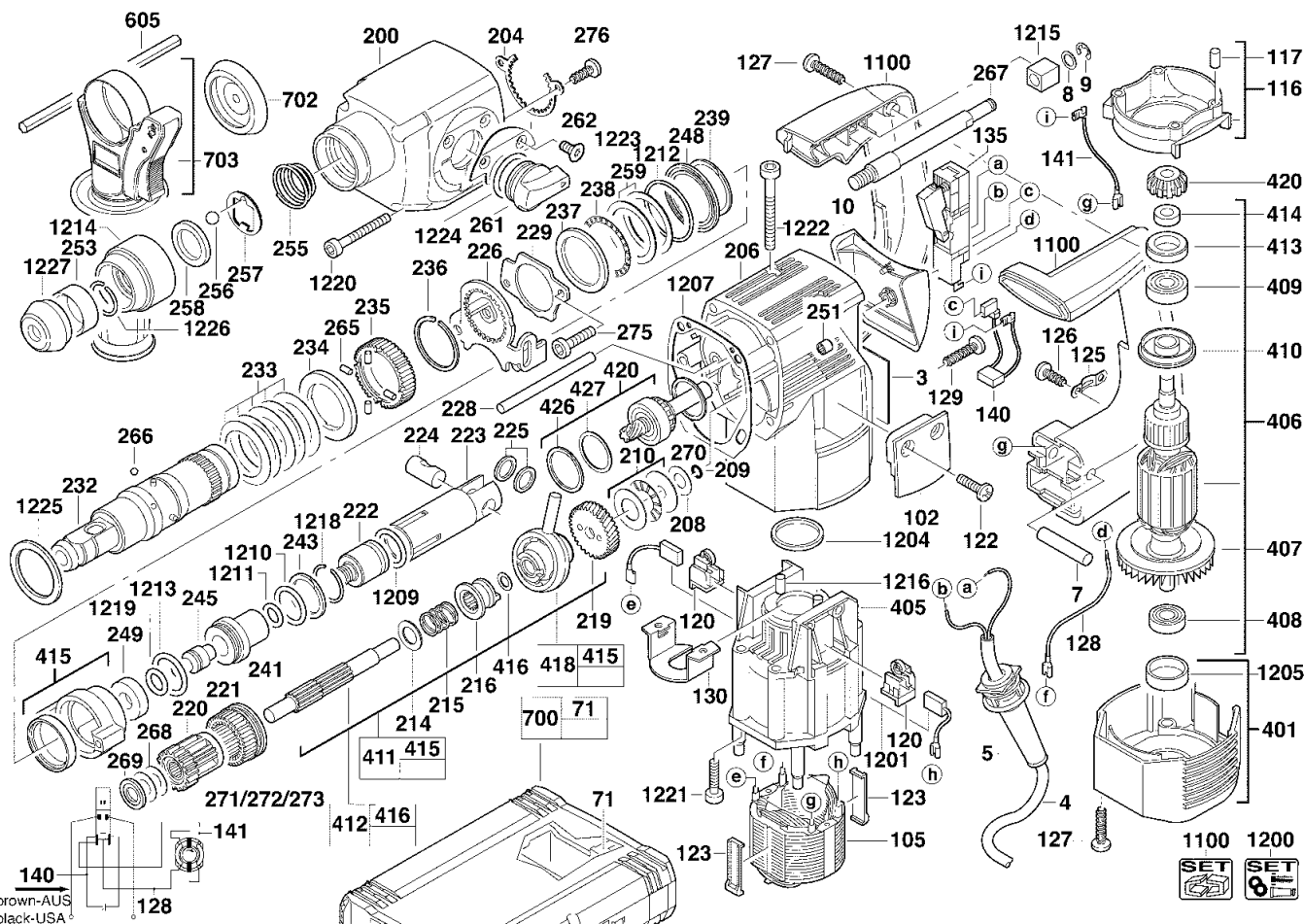
# A & M Electric Tools

Ind	Product No.	Type	Voltage	Country
a	4000384738	PLH30E	220-240V	IN2
b	4000384741	PLH30E	110-120V	GB1
c	4000384732	PLH30E	220-240V	AUS

# Rotary Hammers

Milwaukee  
**PLH 30 E**

Exp.view No.      Version    Date      Page  
**4926 3847 33    0007    24.08.04    3/3**



Pos	Index	Quanti	Article No.	Designation	Pos	Index	Quanti	Article No.	Designation
0408	abc.....	1	4931341740	GROOVED BALL BEAR.	1204	abc.....	1	4931623124	O-RING
0409	abc.....	1	4931624101	BALL BEARING	1205	abc.....	1	4931360781	RUBBER SLEEVE
0410	abc.....	1	4931353260	INSULATING DISC	1207	abc.....	1	4931331735	GASKET
0411	abc.....	1	4931384561	REPAIR KIT	1209	abc.....	1	4931379705	SEAL RING
0412	abc.....	1	4931384864	REDUCT. GEAR SHAFT	1210	abc.....	1	4931623616	SEAL RING
0413	abc.....	1	4931356522	SLEEVE	1211	abc.....	1	4931623468	RADIAL SEAL RING
0414	abc.....	1	4931353238	SPACER	1212	abc.....	1	4931623135	O-RING
0415	abc.....	1	4931384557	BUSHING	1213	abc.....	1	4931623221	RADIAL SEAL RING
0416	abc.....	1	4931624264	DISC	1214	abc.....	1	4931343965	SLEEVE
0418	abc.....	1	4931384560	REPAIR KIT	1215	abc.....	1	4931392502	DAMPING ELEMENT
0420	abc.....	1	4931379098	PINION SHAFT	1216	abc.....	2	4931331549	HOLDING-DOWN DEVIC
0426	abc.....	1	4931616614	LOCKING RING	1218	abc.....	1	4931623636	RING
0427	abc.....	1	4931622564	DISC	1219	abc.....	1	4931624493	SEAL RING
0605	abc.....	1	4931384434	DEPTH GAUGE	1220	abc.....	4	4931623521	SCREW
0700	abc.....	1	4932378986	CARRYING CASE	1221	abc.....	4	4931623520	SCREW
0702	abc.....	1	4932265320	DUST CATCHER	1222	abc.....	2	4931623519	SCREW
0703	abc.....	1	4932373725	HANDLE	1223	abc.....	2	4931379109	SCREW
1100	abc.....	1	4931384324	HANDLE COMPL.	1224	abc.....	1	4931623293	O-RING
1200	a.c.....	1	4931384737	MAINTENANCE SET	1225	abc.....	1	4931379585	FELT WASHER
1200	.b.....	1	4931384745	MAINTENANCE SET	1226	abc.....	1	4931623220	SPRING RING
1201	a.c.....	1	4931369477	CARBON BRUSH SET	1227	abc.....	1	4931343123	CAP
1201	.b.....	1	4931392592	CARBON BRUSH SET					

Repairs/modification and testing of electric power tools are to be carried out by specialists. The safety regulations according to DIN/VDE/CEE/AFNOR and other regulations valid in the different countries are to be observed.