

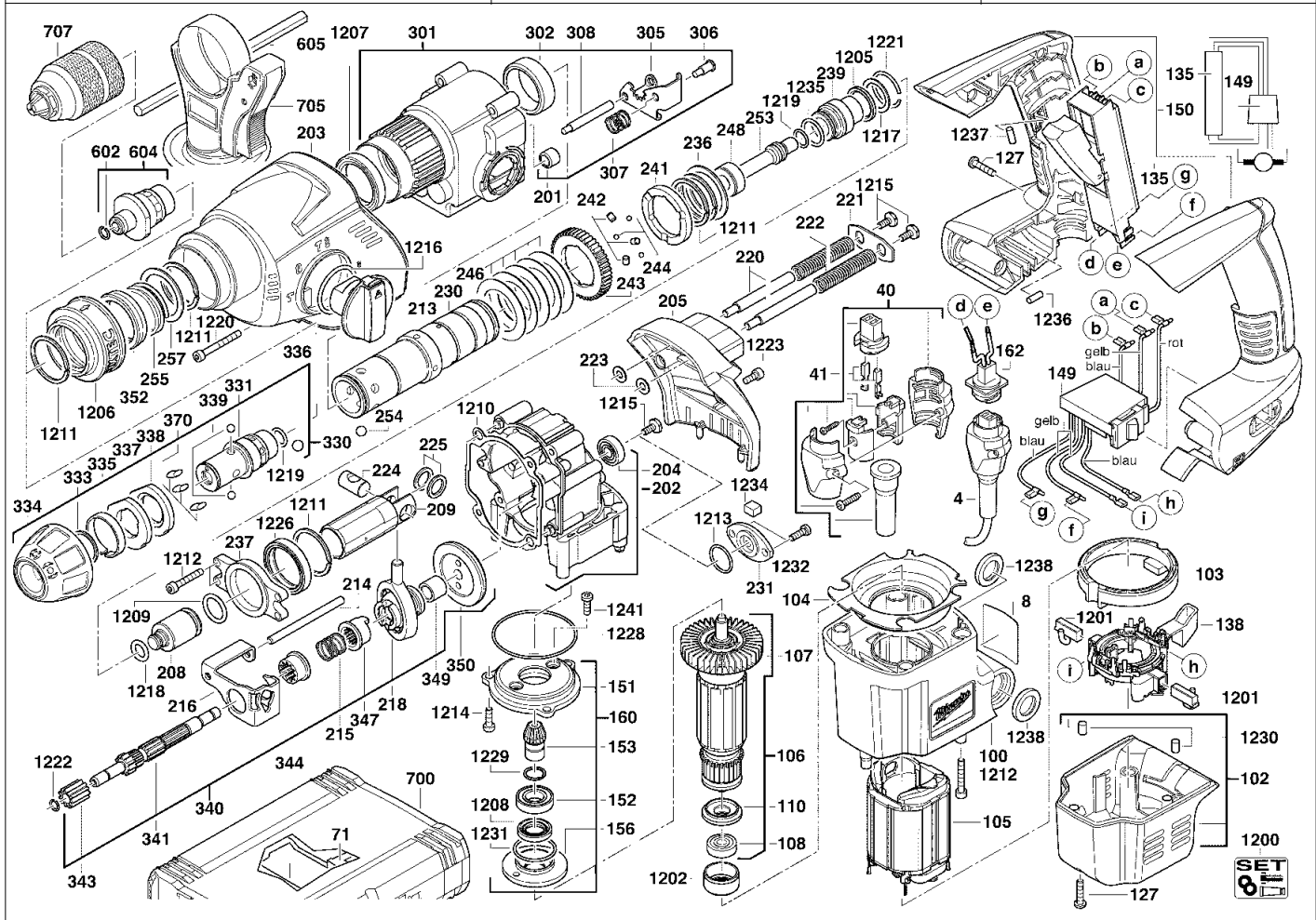
A & M Electric Tools

Rotary Hammers

Ind	Product No.	Type	Voltage	Country
a	4000405983	PLH26QEX	220-240V	IN2
b	4000405987	PLH26QEX	110V	GB1

Ind	Product No.	Type	Voltage	Country

Milwaukee			
PLH 26 QEX			
Exp.view No.	Version	Date	Page
4926 4059 84	0001	11.03.08	1/4



Pos	Index	Quanti	Article No.	Designation	Pos	Index	Quanti	Article No.	Designation
0004	a.....	1	4931624171	CONNECTION CABLE	0138	.b.....	1	4931392648	SET COLLAR
0004	.b.....	1	4931624186	CONNECTION CABLE	0149	a.....	1	4931384663	ELECTRIC ELEMENT
0008	a.....	1	4931405986	RATING PLATE	0149	.b.....	1	4931400755	ELECTRIC ELEMENT
0008	.b.....	1	4931405988	RATING PLATE	0150	ab.....	1	4931392639	HANDLE COMPL.
0040	a.....	1	4931380758	REPAIR KIT	0151	ab.....	1	4931384626	BEARING END PLATE
0040	.b.....	1	4931380761	REPAIR KIT	0152	ab.....	1	4931624278	BALL BEARING
0041	ab.....	1	4931380763	CABLE SOCKET P./10	0153	ab.....	1	4931384615	PINION
0071	ab.....	1	4931392099	INSERT	0156	ab.....	1	4931392742	BEARING COVER
0100	ab.....	1	4931392634	MOTOR HOUSING	0160	ab.....	1	4931396414	BEARING END PLATE
0102	ab.....	1	4931392446	MOTOR CAP	0162	a.....	1	4931364437	INSERT
0103	ab.....	1	4931384662	HOLDING-DOWN DEVIC	0162	.b.....	1	4931364436	PLUG
0104	ab.....	1	4931392636	AIR DEFLECTOR RING	0201	ab.....	1	4931933756	NEEDLE BEARING
0105	a.....	1	4931368355	ELECTRIC FIELD	0202	ab.....	1	4931400846	GEAR BOX
0105	.b.....	1	4931396247	ELECTRIC FIELD	0203	ab.....	1	4931392716	GEAR BOX INSULATIO
0106	a.....	1	4931384656	ARMATURE	0204	ab.....	1	4931623951	BALL BEARING
0106	.b.....	1	4931396076	ARMATURE	0205	ab.....	1	4931392717	GEAR COVER
0107	ab.....	1	4931372559	FAN	0208	ab.....	1	4931392376	PERCUSSION BODY
0108	ab.....	1	4931902888	BALL BEARING	0209	ab.....	1	4931392472	CYLINDER
0110	ab.....	1	4931385658	INSULATING DISC	0213	ab.....	1	4931384621	SWITCH HANDLE
0127	ab.....	7	4931624515	SCREW	0214	ab.....	1	4931624279	CYLINDER PIN
0135	ab.....	1	4931384668	SWITCH	0215	ab.....	1	4931365058	SPRING
0138	a.....	1	4931392637	SET COLLAR	0216	ab.....	1	4931384617	SLIDING SWITCH

Repairs/modification and testing of electric power tools are to be carried out by specialists. The safety regulations according to DIN/VDE/CEE/AFNOR and other regulations valid in the different countries are to be observed.

A & M Electric Tools

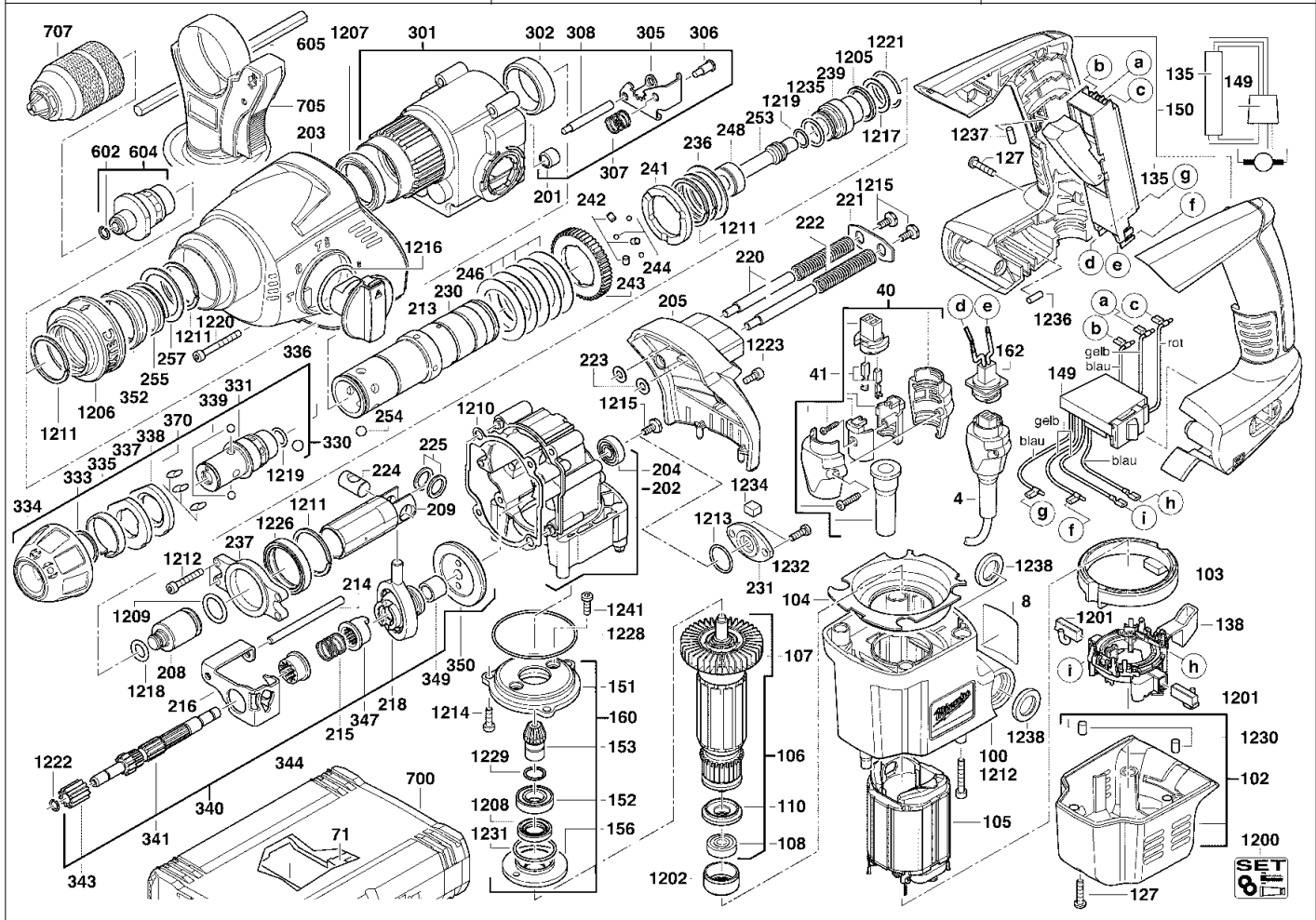
Rotary Hammers

Milwaukee

PLH 26 QEX

Exp.view No. Version Date Page
4926 4059 84 0001 11.03.08 2/4

Ind	Product No.	Type	Voltage	Country	Ind	Product No.	Type	Voltage	Country
a	4000405983	PLH26QEX	220-240V	IN2					
b	4000405987	PLH26QEX	110V	GB1					



Pos	Index	Quanti	Article No.	Designation	Pos	Index	Quanti	Article No.	Designation
0218	ab.....	1	4931365013	WOBBLE DRIVE	0301	ab.....	1	4931384632	GEAR BOX
0220	ab.....	2	4931384667	GUIDE BOLT	0302	ab.....	1	4931621944	NEEDLE BEARING
0221	ab.....	1	4931384669	LATCH PLATE	0305	ab.....	1	4931384618	LOCKING PLATE
0222	ab.....	2	4931384670	PRESSURE SPRING	0306	ab.....	1	4931384619	GUIDE BOLT
0223	ab.....	2	4931909973	DISC	0307	ab.....	1	4931384631	PRESSURE SPRING
0224	ab.....	1	4931365056	CYLINDRICAL BOLT	0308	ab.....	1	4931384690	GUIDE BOLT
0225	ab.....	2	4931365112	DISC	0330	ab.....	1	4931384684	ADAPTER
0230	ab.....	1	4931392471	SPINDLE SLEEVE	0331	ab.....	1	4931392451	ADAPTER
0231	ab.....	1	4931392461	BEARING COVER	0333	ab.....	1	4931622874	SPRING RING
0236	ab.....	1	4931624257	WASHER	0334	ab.....	1	4931384681	SET SLEEVE
0237	ab.....	1	4931392455	ENDPLATE	0335	ab.....	1	4931321064	SPRING
0239	ab.....	1	4931384608	SLEEVE	0336	ab.....	1	4931911572	BALL
0241	ab.....	1	4931392751	CLUTCH DISC	0337	ab.....	1	4931343034	JUMPER RING
0242	ab.....	3	4931365057	CYLINDRICAL BOLT	0338	ab.....	1	4931343057	SPACER
0243	ab.....	1	4931392489	SPINDLE GEAR	0339	ab.....	2	4931805413	BALL
0244	ab.....	3	4931944281	BALL	0340	ab.....	1	4931384609	REDUCT. GEAR SHAFT
0246	ab.....	5	4931365066	CUP SPRING	0341	ab.....	1	4931384610	REDUCT. GEAR SHAFT
0248	ab.....	1	4931384607	STOP WASHER	0343	ab.....	1	4931384611	GEAR
0253	ab.....	1	4931384605	SNAP DIE	0344	ab.....	1	4931375874	INTERN.GEARED WHE
0254	ab.....	6	4931805437	BALL	0347	ab.....	1	4931384691	COUPLING SLEEVE
0255	ab.....	1	4931331754	PRESSURE SPRING	0349	ab.....	1	4931384613	DISTANCE SLEEVE
0257	ab.....	1	4931624257	WASHER	0350	ab.....	1	4931384614	BEVEL GEAR

Repairs/modification and testing of electric power tools are to be carried out by specialists. The safety regulations according to DIN/VDE/CEE/AFNOR and other regulations valid in the different countries are to be observed.

A & M Electric Tools

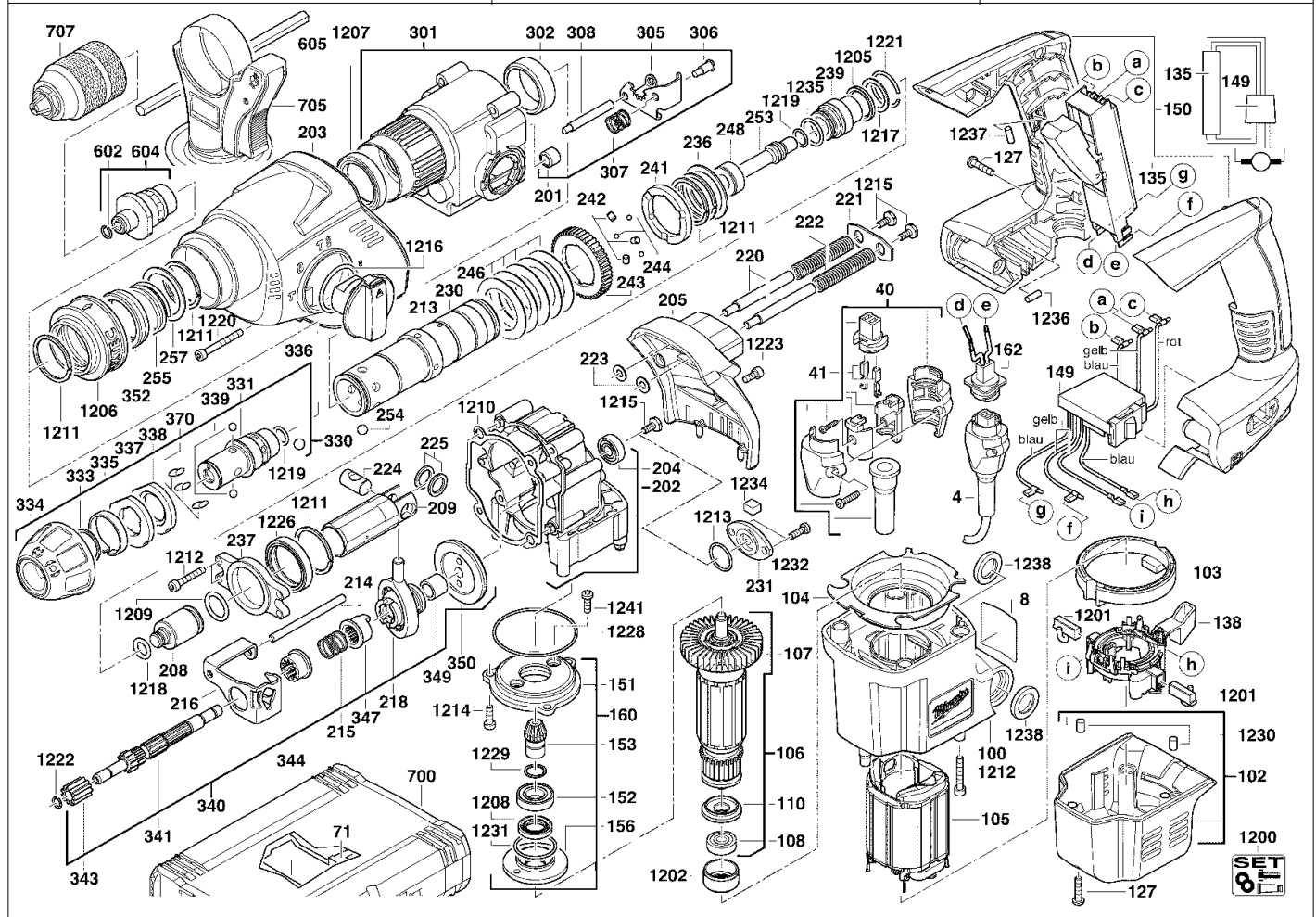
Rotary Hammers

Milwaukee

PLH 26 QEX

Exp.view No. Version Date Page
4926 4059 84 0001 11.03.08 3/4

Ind	Product No.	Type	Voltage	Country	Ind	Product No.	Type	Voltage	Country
a	4000405983	PLH26QEX	220-240V	IN2					
b	4000405987	PLH26QEX	110V	GB1					



Pos	Index	Quanti	Article No.	Designation	Pos	Index	Quanti	Article No.	Designation
0352	ab.....	1	4931392450	RING STOP	1214	ab.....	3	4931624581	SCREW
0370	ab.....	3	4931396400	HOLDING-DOWN DEVIC	1215	ab.....	3	4931375897	SCREW
0602	ab.....	1	4931302074	SPRING	1216	ab.....	1	4931624353	SEAL RING
0604	ab.....	1	4931392452	CHUCK ADAPTER	1217	ab.....	1	4931392464	THRUST COLLAR
0605	ab.....	1	4931384434	DEPTH GAUGE	1218	ab.....	1	4931387380	O-RING
0700	ab.....	1	4932378986	CARRYING CASE	1219	ab.....	2	4931624493	SEAL RING
0705	ab.....	1	4931392747	HANDLE	1220	a.....	4	4931624583	SCREW
0707	ab.....	1	4932376531	QUICK ACTION CHUCK	1220	b.....	4	4931623521	SCREW
1200	a.....	1	4931400965	MAINTENANCE SET	1221	ab.....	1	4931623860	SPRING RING
1200	b.....	1	4931400971	MAINTENANCE SET	1222	ab.....	1	4931624260	SPRING RING
1201	a.....	1	4931392459	CARBON BRUSH SET	1223	ab.....	2	4931624581	SCREW
1201	b.....	1	4931392624	CARBON BRUSH SET	1226	ab.....	1	4931365188	DAMPING RING
1202	ab.....	1	4931351729	RUBBER SLEEVE	1228	ab.....	1	4931623198	O-RING
1205	ab.....	1	4931624391	SEAL RING	1229	ab.....	1	4931622084	SPRING RING
1206	ab.....	1	4931384682	SLEEVE	1230	ab.....	1	4931271824	HOLDING-DOWN DEVIC
1207	ab.....	1	4931624259	SEAL RING	1231	ab.....	1	4931624351	SEAL RING
1208	ab.....	1	4931624429	SEAL RING	1232	ab.....	1	4931621743	SCREW
1209	ab.....	1	4931624533	SEAL RING	1234	ab.....	1	4931375508	FELT
1210	ab.....	1	4931375894	SEAL	1235	ab.....	1	4931624381	O-RING
1211	ab.....	5	4931945764	SPRING RING	1236	ab.....	1	4931307423	HOLDING-DOWN DEVIC
1212	ab.....	8	4931624582	SCREW	1237	ab.....	1	4931386352	HOLDING-DOWN DEVIC
1213	ab.....	1	4931623912	SEAL RING	1238	ab.....	2	4931624170	SEAL RING

Repairs/modification and testing of electric power tools are to be carried out by specialists. The safety regulations according to DIN/VDE/CEE/AFNOR and other regulations valid in the different countries are to be observed.

A & M Electric Tools

Rotary Hammers

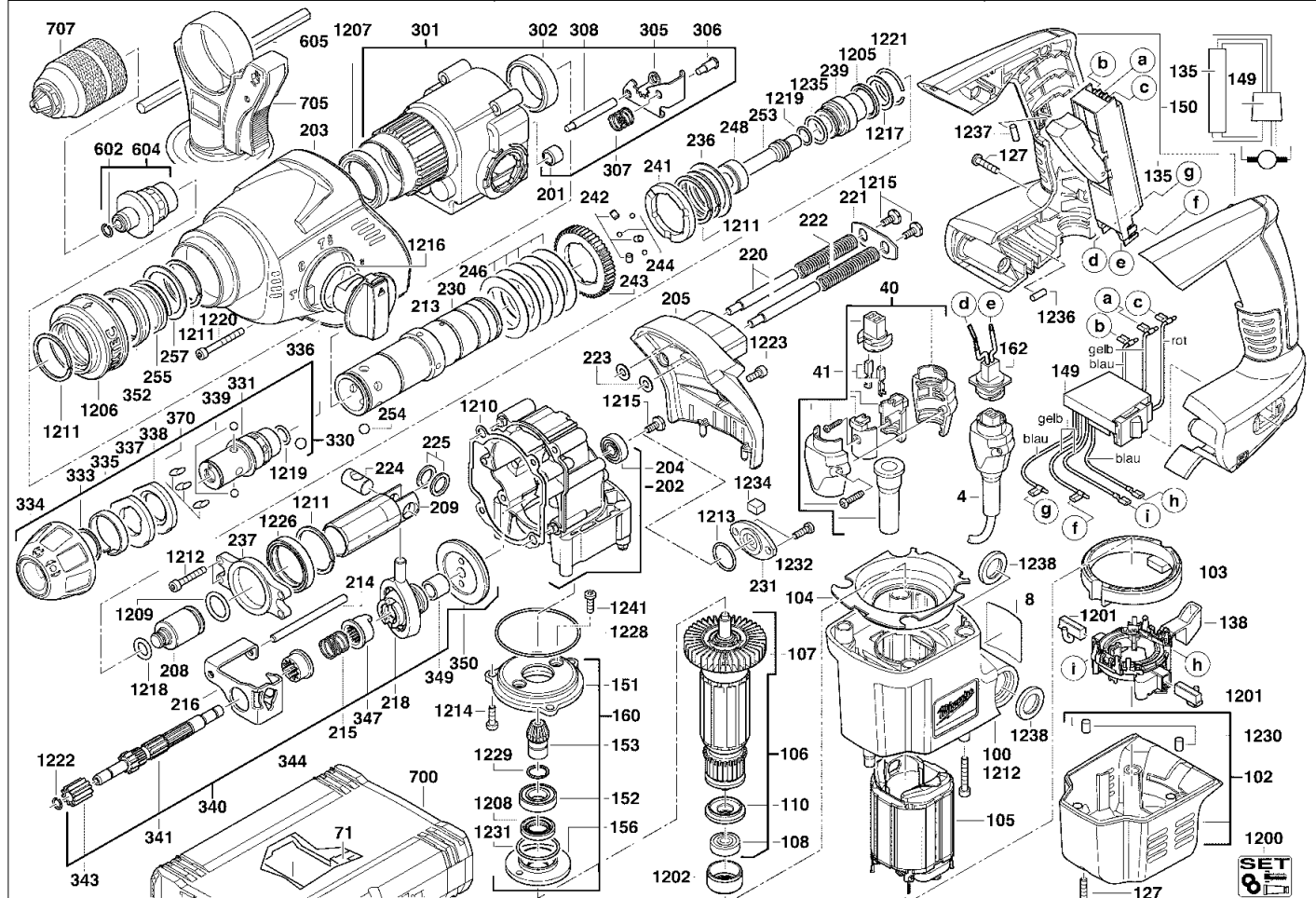
Milwaukee

PLH 26 QEX

Ind	Product No.	Type	Voltage	Country
a	4000405983	PLH26QEX	220-240V	IN2
b	4000405987	PLH26QEX	110V	GB1

Ind	Product No.	Type	Voltage	Country

Exp.view No. Version Date Page
4926 4059 84 0001 11.03.08 4/4



Pos	Index	Quanti	Article No.	Designation
1241	ab.....	2	4931267225	SCREW

Pos	Index	Quanti	Article No.	Designation