

A & M Electric Tools

Ind Product No. Type
a 4000392627 PLH26QE

Voltage Country
220-240V IN2

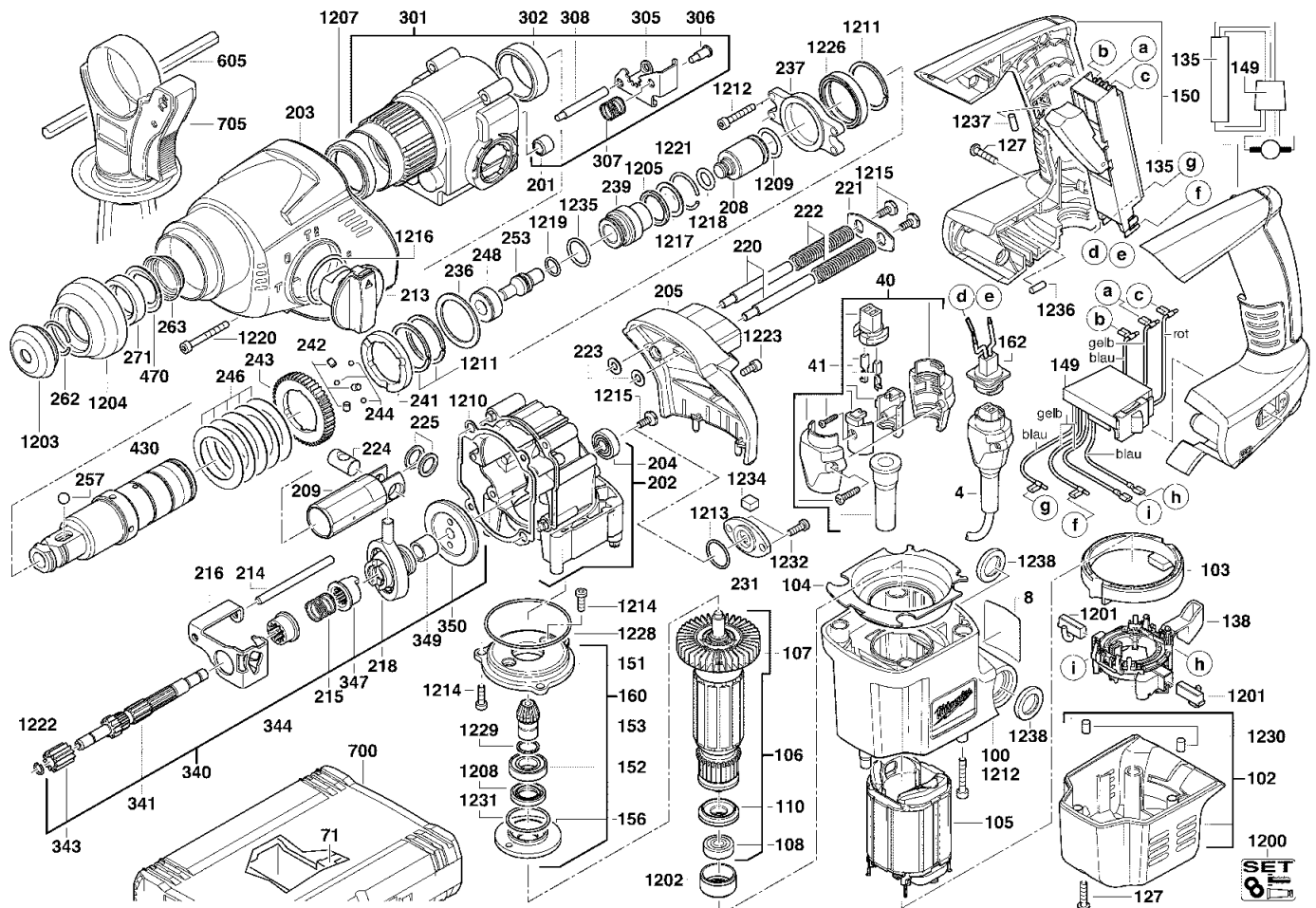
Rotary Hammers

Milwaukee

PLH 26 QE

Exp.view No. Version Date Page

4926 3926 28 0009 26.11.07 1/3



Pos	Index	Quanti	Article No.	Designation	Pos	Index	Quanti	Article No.	Designation
0004	a.....	1	4931624171	CONNECTION CABLE	0156	a.....	1	4931392742	BEARING COVER
0008	a.....	1	4931392633	RATING PLATE	0160	a.....	1	4931396414	BEARING END PLATE
0040	a.....	1	4931380758	REPAIR KIT	0162	a.....	1	4931364437	INSERT
0041	a.....	1	4931380763	CABLE SOCKET P./10	0201	a.....	1	4931933756	NEEDLE BEARING
0071	a.....	1	4931392099	INSERT	0202	a.....	1	4931384633	GEAR BOX
0100	a.....	1	4931392634	MOTOR HOUSING	0203	a.....	1	4931392716	GEAR BOX INSULATIO
0102	a.....	1	4931392446	MOTOR CAP	0204	a.....	1	4931623951	BALL BEARING
0103	a.....	1	4931384662	HOLDING-DOWN DEVIC	0205	a.....	1	4931392717	GEAR COVER
0104	a.....	1	4931392636	AIR DEFLECTOR RING	0208	a.....	1	4931392376	PERCUSSION BODY
0105	a.....	1	4931368355	ELECTRIC FIELD	0209	a.....	1	4931392472	CYLINDER
0106	a.....	1	4931384656	ARMATURE	0213	a.....	1	4931384621	SWITCH HANDLE
0107	a.....	1	4931372559	FAN	0214	a.....	1	4931624279	CYLINDER PIN
0108	a.....	1	4931902888	BALL BEARING	0215	a.....	1	4931365058	SPRING
0110	a.....	1	4931385658	INSULATING DISC	0216	a.....	1	4931384617	SLIDING SWITCH
0127	a.....	7	4931624515	SCREW	0218	a.....	1	4931365013	WOBBLE DRIVE
0135	a.....	1	4931384668	SWITCH	0220	a.....	2	4931384667	GUIDE BOLT
0138	a.....	1	4931392637	SET COLLAR	0221	a.....	1	4931384669	LATCH PLATE
0149	a.....	1	4931384663	ELECTRIC ELEMENT	0222	a.....	2	4931384670	PRESSURE SPRING
0150	a.....	1	4931392639	HANDLE COMPL.	0223	a.....	2	4931909973	DISC
0151	a.....	1	4931384626	BEARING END PLATE	0224	a.....	1	4931365056	CYLINDRICAL BOLT
0152	a.....	1	4931624278	BALL BEARING	0225	a.....	2	4931365112	DISC
0153	a.....	1	4931384615	PINION	0231	a.....	1	4931392461	BEARING COVER

Repairs/modification and testing of electric power tools are to be carried out by specialists. The safety regulations according to DIN/VDE/CEE/AFNOR and other regulations valid in the different countries are to be observed.

A & M Electric Tools

Rotary Hammers

Ind Product No. Type
a 4000392627 PLH26QE

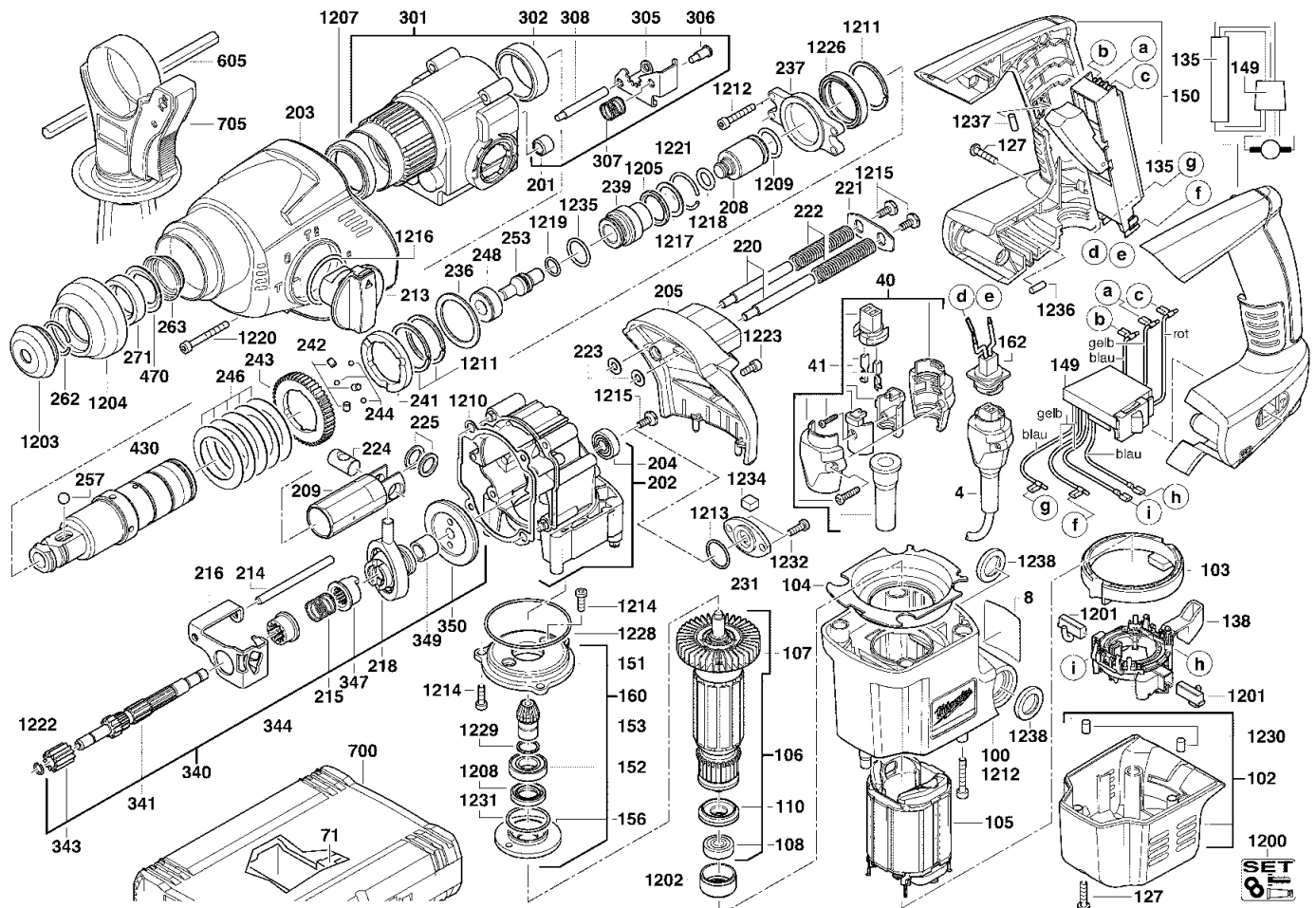
Voltage Country
220-240V IN2

Milwaukee

PLH 26 QE

Exp.view No. Version Date Page

4926 3926 28 0009 26.11.07 2/3



Pos	Index	Quanti	Article No.	Designation	Pos	Index	Quanti	Article No.	Designation
0236	a.....	1	4931624257	WASHER	0343	a.....	1	4931384611	GEAR
0237	a.....	1	4931392455	ENDPLATE	0344	a.....	1	4931375874	INTERN.GEARED WHE
0239	a.....	1	4931384608	SLEEVE	0347	a.....	1	4931384691	COUPLING SLEEVE
0241	a.....	1	4931392751	CLUTCH DISC	0349	a.....	1	4931384613	DISTANCE SLEEVE
0242	a.....	3	4931365057	CYLINDRICAL BOLT	0350	a.....	1	4931384614	BEVEL GEAR
0243	a.....	1	4931392489	SPINDLE GEAR	0430	a.....	1	4931394117	REPAIR KIT
0244	a.....	3	4931944281	BALL	0470	a.....	1	4931394116	REPAIR KIT
0246	a.....	5	4931365066	CUP SPRING	0605	a.....	1	4931384434	DEPTH GAUGE
0248	a.....	1	4931392465	STOP WASHER	0700	a.....	1	4932378986	CARRYING CASE
0253	a.....	1	4931384606	SNAP DIE	0705	a.....	1	4931392747	HANDLE
0257	a.....	1	4931911572	BALL	1200	a.....	1	4931392096	MAINTENANCE SET
0262	a.....	1	4931623220	SPRING RING	1201	a.....	1	4931392459	CARBON BRUSH SET
0263	a.....	1	4931343128	PRESSURE SPRING	1202	a.....	1	4931351729	RUBBER SLEEVE
0271	a.....	1	4931384635	HOLDING RING	1203	a.....	1	4931384687	RUBBER CAP
0301	a.....	1	4931384632	GEAR BOX	1204	a.....	1	4931384634	SLEEVE
0302	a.....	1	4931621944	NEEDLE BEARING	1205	a.....	1	4931624391	SEAL RING
0305	a.....	1	4931384618	LOCKING PLATE	1207	a.....	1	4931624259	SEAL RING
0306	a.....	1	4931384619	GUIDE BOLT	1208	a.....	1	4931624429	SEAL RING
0307	a.....	1	4931384631	PRESSURE SPRING	1209	a.....	1	4931624533	SEAL RING
0308	a.....	1	4931384690	GUIDE BOLT	1210	a.....	1	4931375894	SEAL
0340	a.....	1	4931384609	REDUCT. GEAR SHAFT	1211	a.....	3	4931945764	SPRING RING
0341	a.....	1	4931384610	REDUCT. GEAR SHAFT	1212	a.....	8	4931623886	SCREW

Repairs/modification and testing of electric power tools are to be carried out by specialists. The safety regulations according to DIN/VDE/CEE/AFNOR and other regulations valid in the different countries are to be observed.

A & M Electric Tools

Ind Product No. Type
a 4000392627 PLH26QE

Voltage Country
220-240V IN2

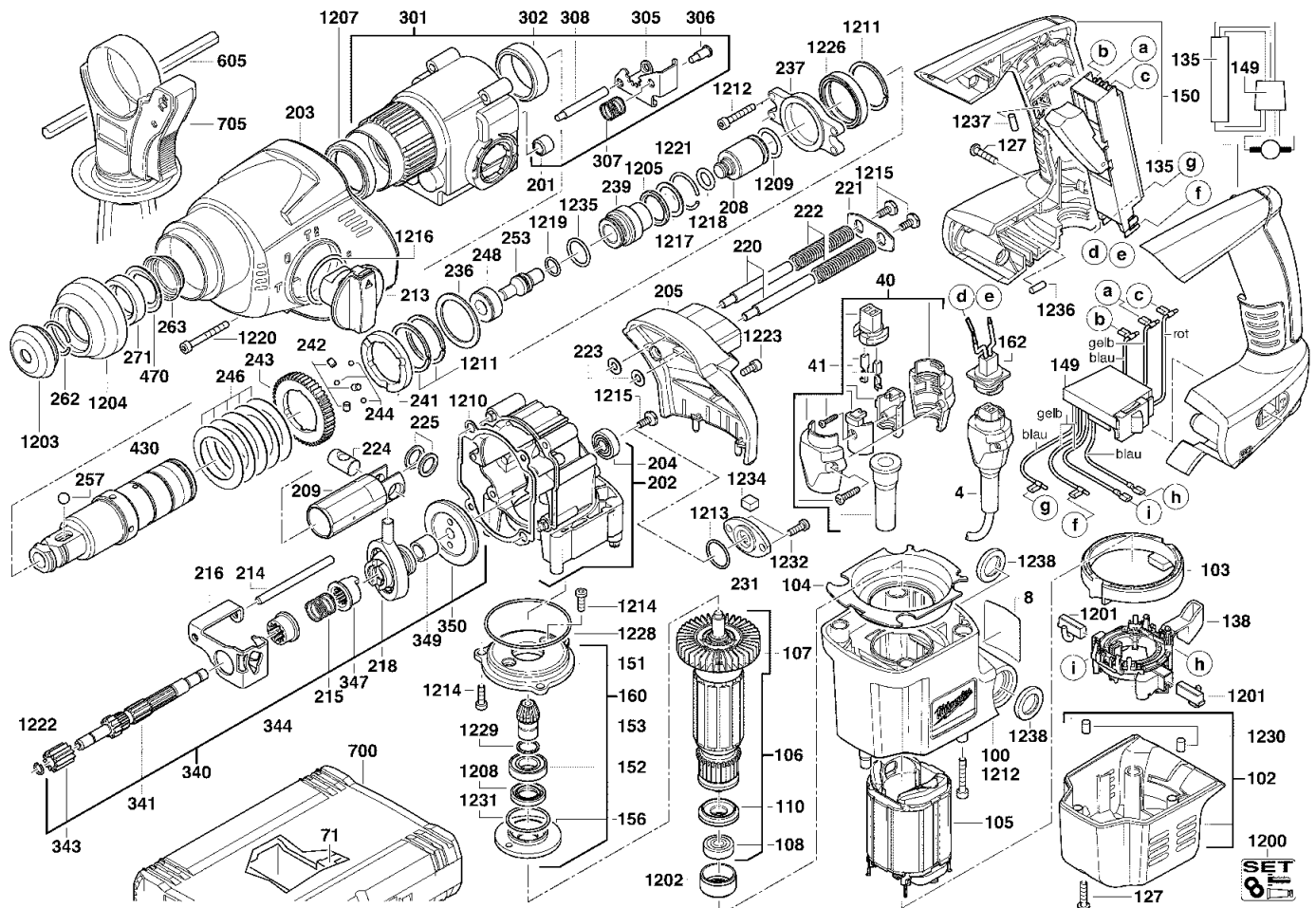
Rotary Hammers

Milwaukee

PLH 26 QE

Exp.view No. Version Date Page

4926 3926 28 0009 26.11.07 3/3



Pos	Index	Quanti	Article No.	Designation
1213	a.....	1	4931623912	SEAL RING
1214	a.....	5	4931267225	SCREW
1215	a.....	3	4931375897	SCREW
1216	a.....	1	4931624353	SEAL RING
1217	a.....	1	4931392464	THRUST COLLAR
1218	a.....	1	4931387380	O-RING
1219	a.....	1	4931624493	SEAL RING
1220	a.....	4	4931623521	SCREW
1221	a.....	1	4931623860	SPRING RING
1222	a.....	1	4931624260	SPRING RING
1223	a.....	2	4931621741	SCREW
1226	a.....	1	4931365188	DAMPING RING
1228	a.....	1	4931623198	O-RING
1229	a.....	1	4931622084	SPRING RING
1230	a.....	1	4931271824	HOLDING-DOWN DEVIC
1231	a.....	1	4931624351	SEAL RING
1232	a.....	2	4931621743	SCREW
1234	a.....	1	4931375508	FELT
1235	a.....	1	4931624381	O-RING
1236	a.....	1	4931307423	HOLDING-DOWN DEVIC
1237	a.....	1	4931386352	HOLDING-DOWN DEVIC
1238	a.....	2	4931624170	SEAL RING

Pos	Index	Quanti	Article No.	Designation
1211				
1212				
1215				
1216				
1217				
1218				
1219				
1220				
1221				
1222				
1223				
1226				
1228				
1229				
1230				
1231				
1232				
1234				
1235				
1236				
1237				
1238				
1201				
1202				
1203				
1204				
1205				
1206				
1207				
1208				
1209				
1210				
1211				
1212				
1213				
1214				
1215				
1216				
1217				
1218				
1219				
1220				
1221				
1222				
1223				
1224				
1225				
1226				
1227				
1228				
1229				
1230				
1231				
1232				
1233				
1234				
1235				
1236				
1237				
1238				
1200				
1201				
1202				
1203				
1204				
1205				
1206				
1207				
1208				
1209				
1210				
1211				
1212				
1213				
1214				
1215				
1216				
1217				
1218				
1219				
1220				
1221				
1222				
1223				
1224				
1225				
1226				
1227				
1228				
1229				
1230				
1231				
1232				
1233				
1234				
1235				
1236				
1237				
1238				
1200				
1201				
1202				
1203				
1204				
1205				
1206				
1207				
1208				
1209				
1210				
1211				
1212				
1213				
1214				
1215				
1216				
1217				
1218				
1219				
1220				
1221				
1222				
1223				
1224				
1225				
1226				
1227				
1228				
1229				
1230				
1231				
1232				
1233				
1234				
1235				
1236				
1237				
1238				
1200				
1201				
1202				
1203				
1204				
1205				
1206				
1207				
1208				
1209				
1210				
1211				
1212				
1213				
1214				
1215				
1216				
1217				
1218				
1219				
1220				
1221				
1222				
1223				
1224				
1225				
1226				
1227				
1228				
1229				
1230				
1231				
1232				
1233				
1234				
1235				
1236				
1237				
1238				
1200				
1201				
1202				
1203				
1204				
1205				
1206				
1207				
1208				
1209				
1210				
1211				
1212				
1213				
1214				
1215				
1216				
1217				
1218				
1219				
1220				
1221				
1222				
1223				
1224				
1225				
1226				
1227				
1228				
1229				
1230				
1231				
1232				
1233				
1234				
1235				
1236				
1237				
1238				
1200				
1201				
1202				
1203				
1204				
1205				
1206				
1207				
1208				
1209				
1210				
1211				
1212				
1213				
1214				
1215				
1216				
1217				
1218				
1219				
1220				
1221				
1222				
1223				
1224				
1225				
1226				
1227				
1228				
1229				
1230				
1231				
1232				
1233				
1234				
1235				
1236				
1237				
1238				
1200				
1201				
1202				
1203				
1204				
1205				
1206				
1207				
1208				
1209				
1210				
1211				
1212				
1213				
1214				
1215				
1216				
1217				
1218				
1219				
1220				
1221				
1222				
1223				
1224				
1225				
1226				
1227				
1228				
1229				
1230				
1231				
1232				
1233				
1234				
1235				
1236				
1237				
1238				
1200				
1201				
1202				
1203				
1204				
1205				
1206				
1207				
1208				
1209				
1210				
1211				
1212				
1213				
1214				
1215				
1216				
1217				
1218				
1219				
1220				
1221				
1222				
1223				
1224				
1225				
1226				
1227				
1228				
1229				
1230				
1231				
1232				
1233				
1234				
1235				
1236				
1237				
1238				
1200				
1201				
1202				
1203				
1204				
1205				
1206				
1207				
1208				
1209				
1210				
1211				
1212				
1213				
1214				
1215				
1216				
1217				
1218				
1219				
1220				