

A & M Electric Tools

Rotary Hammers

Ind Product No. Type
a 4000392176 PHE50K

Voltage Country
220-240V IN2

Ind Product No. Type

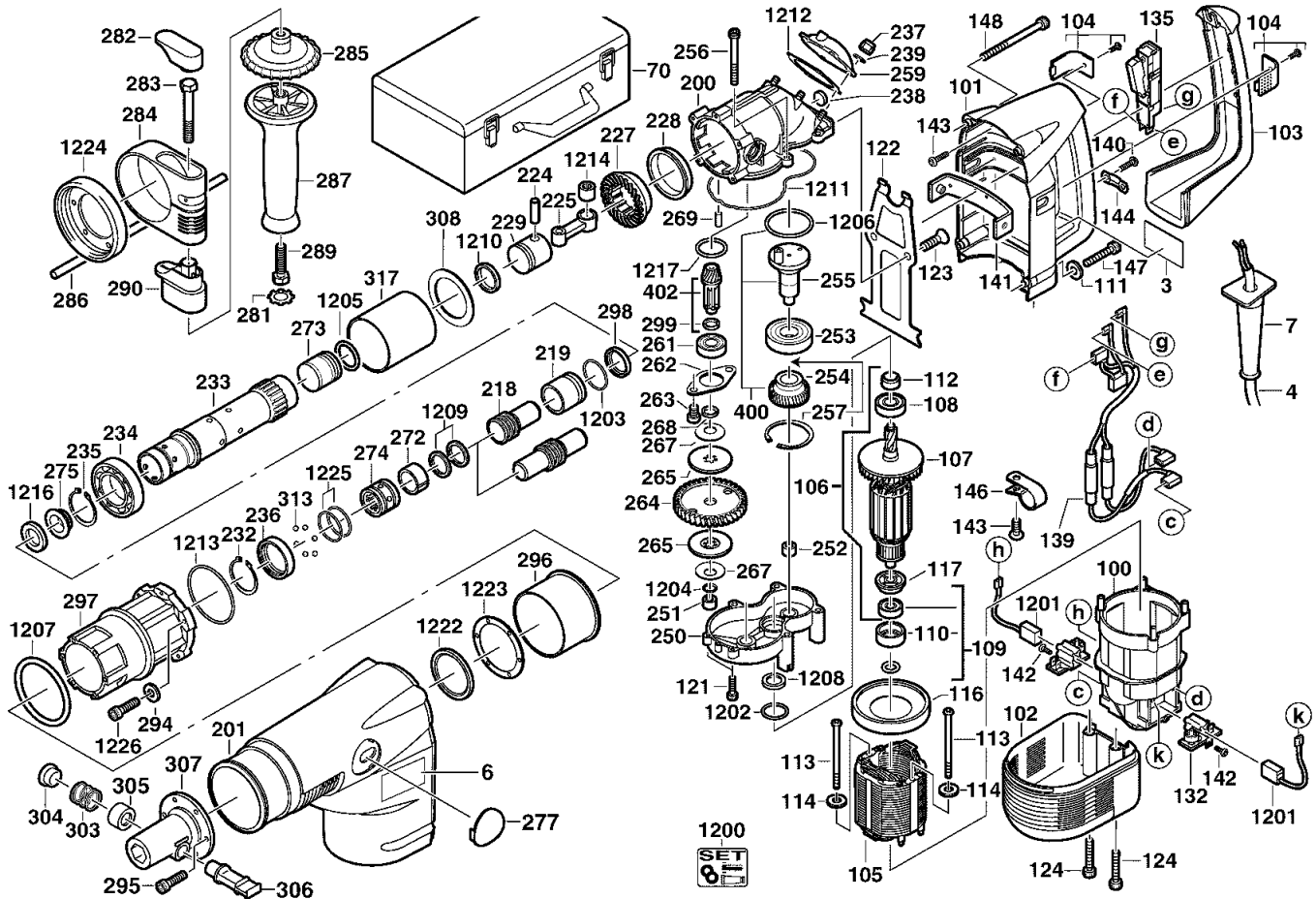
Voltage Country

Milwaukee

PHE50K

Exp.view No. Version Date Page

4926 3921 78 0002 26.08.03 1/3



Pos	Index	Quanti	Article No.	Designation	Pos	Index	Quanti	Article No.	Designation
0003	a.....	1	4931392183	RATING PLATE	0121	a.....	2	9170324460	SCREW
0004	a.....	1	4931623311	CONNECTION CABLE	0122	a.....	1	4931384334	DAMPING SPRING
0006	a.....	2	4931378792	TYPE PLATE	0123	a.....	2	4931624126	SCREW
0007	a.....	1	9170316440	CABLE ENTRY SLEEVE	0124	a.....	2	4931379094	SCREW
0070	a.....	1	4932382294	CARRYING CASE	0132	a.....	2	9170328040	BRUSH HOLDER
0100	a.....	1	9170315300	MOTOR HOUSING	0135	a.....	1	9170314810	SWITCH
0101	a.....	1	4931382300	HANDLE	0139	a.....	1	4931384199	CABLE SET
0102	a.....	1	9170315470	MOTOR CAP	0140	a.....	2	4931618241	SCREW
0103	a.....	1	9170314840	HANDLE	0141	a.....	1	9170316430	HANDGRIP HOLDER
0104	a.....	2	9170315480	COVER	0142	a.....	2	9170279750	SCREW
0105	a.....	1	4931365479	ELECTRIC FIELD	0143	a.....	2	9170279750	SCREW
0106	a.....	1	4931379319	ARMATURE	0144	a.....	1	4931256500	CABLE COLLAR
0107	a.....	1	9170314770	FAN	0146	a.....	1	9170331440	CLAMP
0108	a.....	1	9170309400	BEARING	0147	a.....	2	4931374064	SCREW
0109	a.....	1	9170315830	BEARING	0148	a.....	2	4931374063	SCREW
0110	a.....	1	4931329086	RUBBER SLEEVE	0200	a.....	1	4931374760	BODY
0111	a.....	2	4931374065	DISC	0201	a.....	1	4931382301	GEAR BOX
0112	a.....	1	9170314860	SEALING SLEEVE	0218	a.....	1	9170315400	ANVIL
0113	a.....	2	4931339996	SCREW	0219	a.....	1	9170315170	SLEEVE
0114	a.....	2	4931619992	SPRING WASHER	0224	a.....	1	9170315410	BOLT
0116	a.....	1	9170314800	AIR DEFLECTOR RING	0225	a.....	1	9170315040	CONNECTING ROD
0117	a.....	1	4931259633	SEAL RING	0227	a.....	1	9170315030	BEVEL GEAR

Repairs/modification and testing of electric power tools are to be carried out by specialists. The safety regulations according to DIN/VDE/CEE/AFNOR and other regulations valid in the different countries are to be observed.

A & M Electric Tools

Rotary Hammers

Ind Product No. Type
a 4000392176 PHE50K

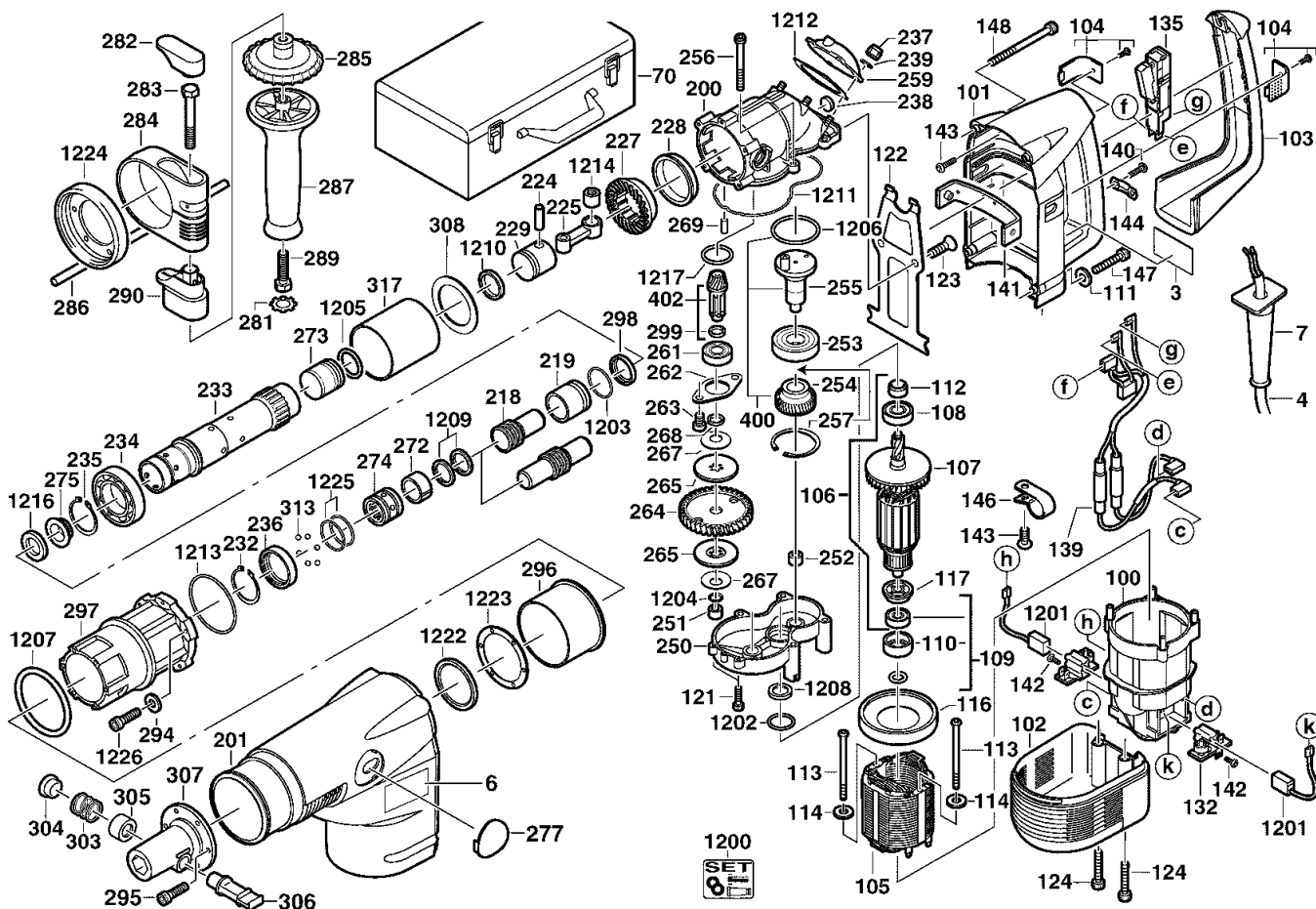
Voltage Country
220-240V IN2

Ind Product No. Type

Voltage Country

Milwaukee
PHE50K

Exp.view No. Version Date Page
4926 3921 78 0002 26.08.03 2/3



Pos	Index	Quanti	Article No.	Designation
0228	a.....	1	9170315420	BEARING
0229	a.....	1	9170315330	PISTON
0232	a.....	1	9170334870	WASHER
0233	a.....	1	9170315360	SPINDLE SLEEVE
0234	a.....	1	9170315820	BEARING
0235	a.....	1	9170315790	SPRING RING
0236	a.....	1	4931374918	SLEEVE
0237	a.....	4	4931621424	NUT
0238	a.....	1	4931374721	FELT WASHER
0239	a.....	4	4931615865	SEALING WASHER
0250	a.....	1	9170314890	GEAR BOX COVER
0251	a.....	1	4931943567	NEEDLE BEARING
0252	a.....	1	4931928717	NEEDLE BEARING
0253	a.....	1	9170315860	BEARING
0254	a.....	1	4931379062	WHEEL
0255	a.....	1	9170314930	CRANKSHAFT
0256	a.....	4	9170315520	SCREW
0257	a.....	1	9170316130	PROTECTION WASHER
0259	a.....	1	4931379174	COVER
0261	a.....	1	4931912333	BALL BEARING
0262	a.....	1	9170315020	PLATE
0263	a.....	2	4931624125	SCREW

Pos	Index	Quanti	Article No.	Designation
0264	a.....	1	9170314950	REDUCTION GEAR
0265	a.....	2	9170314960	DISC
0267	a.....	2	9170315000	CUP SPRING
0268	a.....	1	9170314990	SLEEVE
0269	a.....	2	9170316300	PIN
0272	a.....	1	9170315180	JUNK RING
0273	a.....	1	9170315380	PERCUSSION BODY
0274	a.....	1	4931374914	DRILL SPINDLE
0275	a.....	1	9170315390	SLEEVE
0277	a.....	1	4931382227	COVER LID
0281	a.....	1	4931379056	DISC
0282	a.....	1	9170316830	PROTECTIVE CAP
0283	a.....	1	9170316620	SCREW
0284	a.....	1	9170316170	CLAMPING RING
0285	a.....	1	9170316250	CLAMPING RING
0286	a.....	1	9170318660	DEPTH GAUGE
0287	a.....	1	9170316240	HANDLE
0289	a.....	1	9170316630	SCREW
0290	a.....	1	9170316820	HANDLE PIECE
0294	a.....	5	9170333080	WASHER
0295	a.....	6	4931624124	SCREW
0296	a.....	1	9170315240	BEARING

Repairs/modification and testing of electric power tools are to be carried out by specialists. The safety regulations according to DIN/VDE/CEE/AFNOR and other regulations valid in the different countries are to be observed.

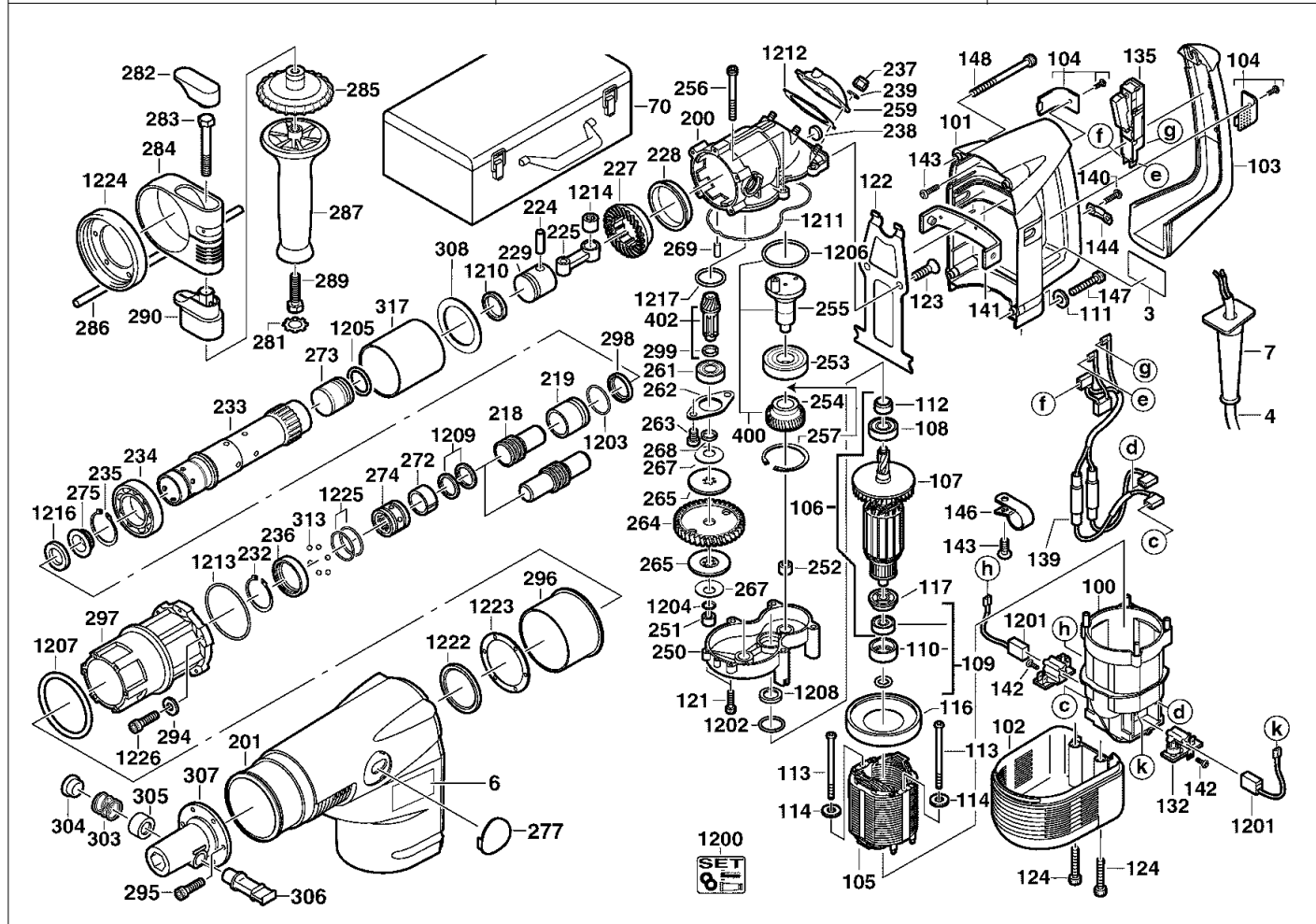
A & M Electric Tools

Rotary Hammers

Ind Product No.	Type	Voltage	Country
a 4000392176	PHE50K	220-240V	IN2

Ind Product No.	Type	Voltage	Country

Milwaukee			
PHE50K			
Exp.view No.	Version	Date	Page
4926 3921 78	0002	26.08.03	3/3



Pos	Index	Quanti	Article No.	Designation
0297	a.....	1	4931379175	HOUSING
0298	a.....	1	9170315160	WASHER
0299	a.....	1	4931379783	PROTECTION WASHER
0303	a.....	1	9170032330	SPRING
0304	a.....	1	4931379039	LATCH
0305	a.....	1	4931379061	SLEEVE
0306	a.....	1	4931384430	LATCH BAR
0307	a.....	1	9170315500	SPINDLE SLEEVE
0308	a.....	1	9170316670	WASHER
0313	a.....	6	4931805437	BALL
0317	a.....	1	9170316400	SLEEVE
0400	a.....	1	4931379150	ECCENTRIC WHEEL
0402	a.....	1	4931379838	REPAIR KIT
1200	a.....	1	9170333540	MAINTENANCE SET
1201	a.....	1	9170333270	CARBON BRUSH SET
1202	a.....	1	9170301260	O-RING
1203	a.....	1	9170316260	O-RING
1204	a.....	1	9170315810	PROTECTION WASHER
1205	a.....	1	9170327700	O-RING
1206	a.....	1	9170316270	O-RING
1207	a.....	1	9170316680	O-RING
1208	a.....	1	9170314900	SEALING WASHER

Pos	Index	Quanti	Article No.	Designation
1209	a.....	2	4931379057	O-RING
1210	a.....	1	9170327700	O-RING
1211	a.....	1	4931382857	GASKIT
1212	a.....	1	9170315270	GASKET
1213	a.....	1	9170315970	GASKET
1214	a.....	1	9170315760	BEARING
1216	a.....	1	4931379193	RUBBER RING
1217	a.....	1	9170327710	O-RING
1222	a.....	1	9170315780	SEAL RING
1223	a.....	1	9170316100	SEALING WASHER
1224	a.....	1	9170315220	SEAL RING
1225	a.....	2	9170316360	O-RING
1226	a.....	5	4931624124	SCREW

Repairs/modification and testing of electric power tools are to be carried out by specialists. The safety regulations according to DIN/VDE/CEE/AFNOR and other regulations valid in the different countries are to be observed.