

# A & M Electric Tools

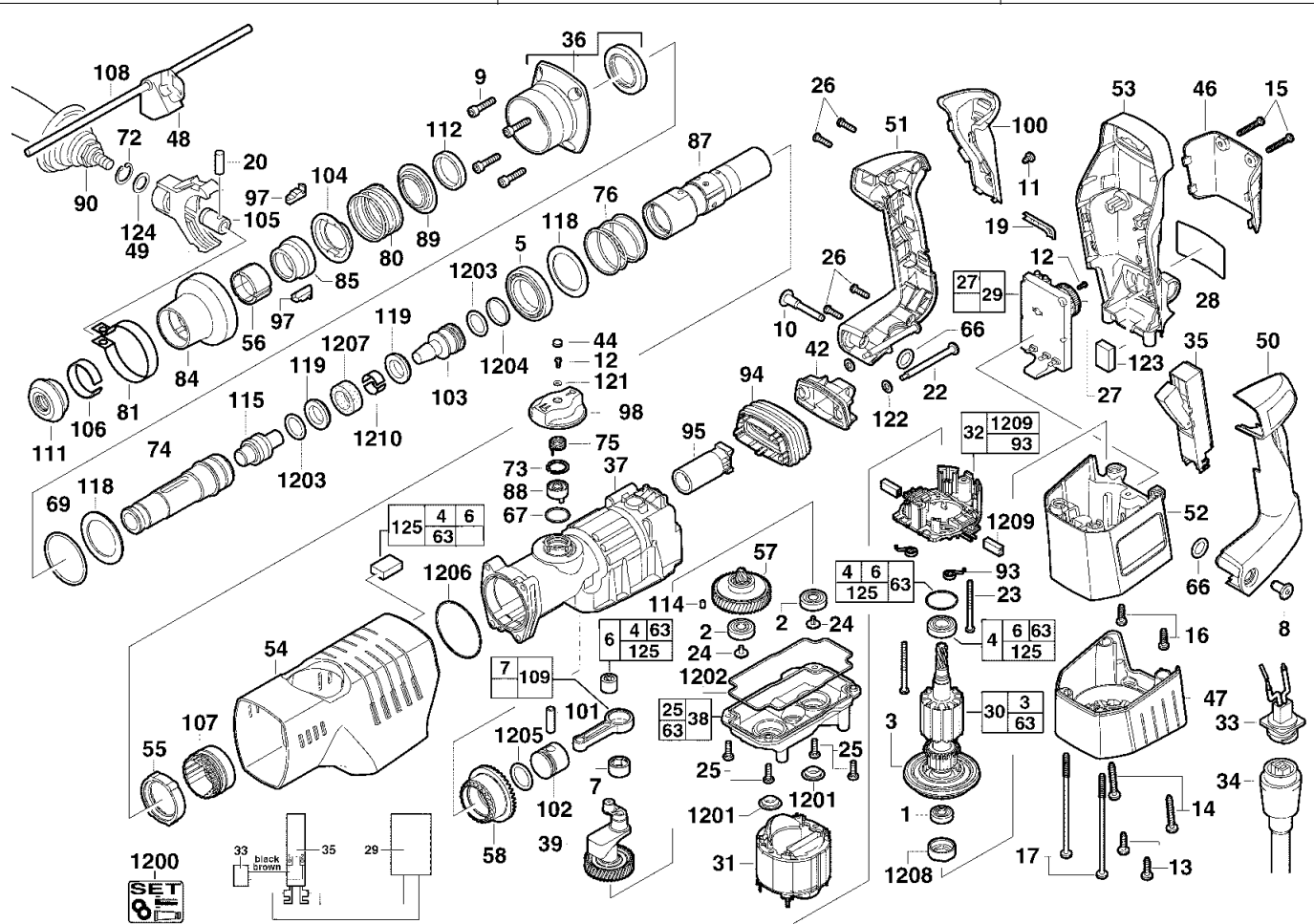
Ind	Product No.	Type	Voltage	Country
a	4000384505	PHE40SQ	220-240V	IN2
b	4000384505	PHE40SQ	220-240V	AUS
c	4000384505	PHE40SQ	220-240V	GB2
d	4000384505	PHE40SQ	220-240V	CH2
e	4000384591	PHE40SQ	110-120V	GB1

# Rotary Hammers

Milwaukee

## PHE 40 SQ

Exp.view No.      Version    Date      Page  
**4926 3845 06    0006 28.01.05 1/3**



Pos	Index	Quanti	Article No.	Designation	Pos	Index	Quanti	Article No.	Designation
0001	abcde.....	1	02040845	BALL BEARING	0025	abcde.....	4	05889910	SCREW
0002	abcde.....	2	02040911	BALL BEARING	0026	abcde.....	4	06956290	SCREW
0003	abcde.....	1	22840875	FAN	0027	abcde.....	1	31010035	WHEEL
0004	abcde.....	1	14460040	REPAIR KIT	0028	abcd.....	1	12205316	RATING PLATE
0005	abcde.....	1	02080640	BALL BEARING	0028	...e.....	1	12201237	NAME PLATE
0006	abcde.....	1	14460040	REPAIR KIT	0029	abcd.....	1	14201077	REPAIR KIT
0007	abcde.....	1	02504020	NEEDLE BEARING	0029	...e.....	1	14200842	REPAIR KIT
0008	abcde.....	1	05590100	NUT	0030	abcd.....	1	16341541	ARMATURE
0009	abcde.....	4	05740625	SCREW	0030	...e.....	1	16300641	ARMATURE
0010	abcde.....	1	05770100	BEARING BOLT	0031	abcd.....	1	18340300	ELECTRIC FIELD
0011	abcde.....	1	05883650	SCREW	0031	...e.....	1	18301040	ELECTRIC FIELD
0012	abcde.....	1	05885910	SCREW	0032	abcde.....	1	22221530	OBTAIN BULLETIN 0103
0013	abcde.....	2	05885930	SCREW	0033	abcd.....	1	22560694	HOUSING
0014	abcde.....	2	05885940	SCREW	0033	...e.....	1	22561030	BLADE HOUSING
0015	abcde.....	2	05889920	SCREW	0034	a.....	1	4931624171	CONNECTION CABLE
0016	abcde.....	2	05889930	SCREW	0034	b.....	1	4931624342	CONNECTION CABLE
0017	abcde.....	2	05889940	SCREW	0034	c.....	1	4931624184	CONNECTION CABLE
0019	abcde.....	1	31010065	LIGHT PIPE	0034	d.....	1	4931624181	CONNECTION CABLE
0020	abcde.....	1	06651660	PIN	0034	...e.....	1	22640677	CONNECTION CABLE
0022	abcde.....	2	06811805	SCREW	0035	abcde.....	1	23662195	SWITCH
0023	abcde.....	2	06827375	SCREW	0036	abcde.....	1	14520030	SERVICE TOOL
0024	abcde.....	2	06828842	SCREW	0037	abcde.....	1	28142541	CRANKCASE

Repairs/modification and testing of electric power tools are to be carried out by specialists. The safety regulations according to DIN/VDE/CEE/AFNOR and other regulations valid in the different countries are to be observed.

# A & M Electric Tools

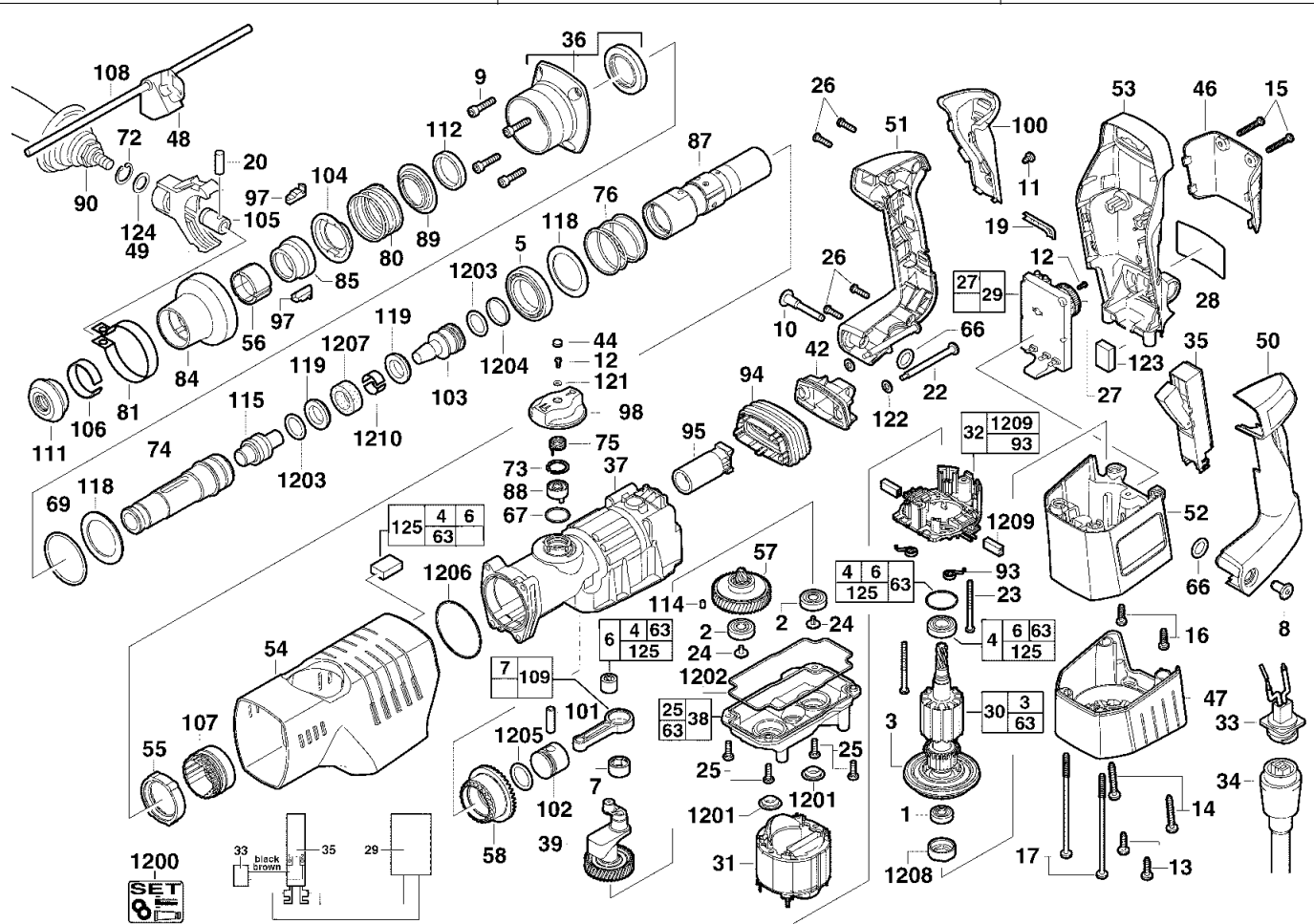
Ind	Product No.	Type	Voltage	Country
a	4000384505	PHE40SQ	220-240V	IN2
b	4000384505	PHE40SQ	220-240V	AUS
c	4000384505	PHE40SQ	220-240V	GB2
d	4000384505	PHE40SQ	220-240V	CH2
e	4000384591	PHE40SQ	110-120V	GB1

# Rotary Hammers

Milwaukee

## PHE 40 SQ

Exp.view No.      Version    Date      Page  
**4926 3845 06    0006 28.01.05 2/3**



Pos	Index	Quanti	Article No.	Designation	Pos	Index	Quanti	Article No.	Designation
0038	abcd	1	14462565	GEAR CASE	0072	abcde	1	34602580	RING
0038	.....e	1	14462565	GEAR CASE	0073	abcde	1	34805010	THRUST COLLAR
0039	abcde	1	14090160	CRANK ASSEMBLY	0074	abcde	1	38506250	SPINDLE
0042	abcde	1	31100140	HANDLE	0075	abcde	1	40500370	SPRING
0044	abcde	1	31120185	SCREW	0076	abcde	1	40500380	SPRING
0046	abcde	1	31150613	COVER	0080	abcde	1	40508870	PRESSURE SPRING
0047	abcde	1	31152053	MOTOR COVER	0081	abcde	1	42160125	BAND
0048	abcde	1	14340551	DEPTH GAUGE	0084	abcde	1	42760710	COVER
0049	abcde	1	31442000	HANDLE	0085	abcde	1	42760715	BUSH
0050	abcde	1	31442211	HANDLE LEFT	0087	abcde	1	42980260	BARREL
0051	abcde	1	31442221	HANDLE RIGHT	0088	abcde	1	14140170	JUMPER RING
0052	abcde	1	31505101	CASING	0089	abcde	1	43340440	SPRING
0053	abcde	1	31550281	COVER	0090	abcde	1	14340516	HANDLE
0054	abcde	1	31550301	MAIN SHROUD	0093	abcde	2	40502220	SPRING
0055	abcde	1	31580150	RING	0094	abcde	1	43870035	DRIVER
0056	abcde	1	31860100	SPACER	0095	abcde	1	43870060	INSULATING PART
0057	abcde	1	14080210	CLUTCH WHEEL	0097	abcde	2	43960220	KEY
0058	abcde	1	32300060	DRIVE GEAR	0098	abcde	1	14340180	KNOB
0063	abcde	1	14460040	REPAIR KIT	0100	abcde	1	44520590	GRIP
0066	abcde	2	34404490	O-RING	0101	abcde	1	44601710	PIN
0067	abcde	1	34404500	O-RING	0102	abcde	1	44620230	PISTON
0069	abcde	1	34404520	O-RING	0103	abcde	1	44820220	RAM

Repairs/modification and testing of electric power tools are to be carried out by specialists. The safety regulations according to DIN/VDE/CEE/AFNOR and other regulations valid in the different countries are to be observed.

# A & M Electric Tools

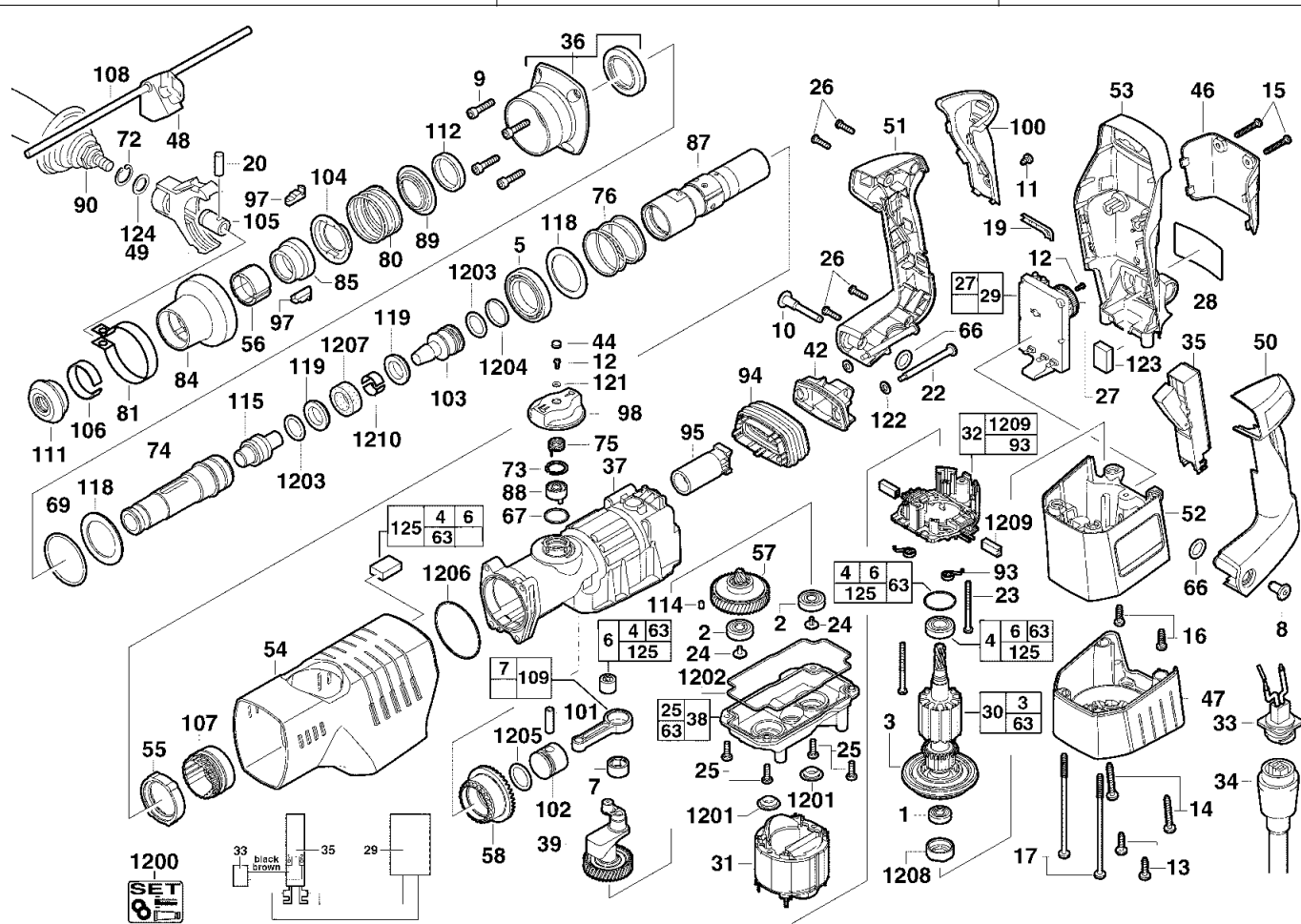
Ind	Product No.	Type	Voltage	Country
a	4000384505	PHE40SQ	220-240V	IN2
b	4000384505	PHE40SQ	220-240V	AUS
c	4000384505	PHE40SQ	220-240V	GB2
d	4000384505	PHE40SQ	220-240V	CH2
e	4000384591	PHE40SQ	110-120V	GB1

# Rotary Hammers

Milwaukee

## PHE 40 SQ

Exp.view No.      Version    Date      Page  
**4926 3845 06    0006 28.01.05 3/3**



Pos	Index	Quanti	Article No.	Designation	Pos	Index	Quanti	Article No.	Designation
0104	abcde.....	1	44860610	RING	1205	abcde.....	1	34404510	O-RING
0105	abcde.....	1	44860620	RETAINER	1206	abcde.....	1	34404530	O-RING
0106	abcde.....	1	44900005	RING	1207	abcde.....	1	34404570	DAMPING WASHER
0107	abcde.....	1	44900175	VARIABLE RING	1208	abcde.....	1	42960125	BEARING SLEEVE
0108	abcde.....	1	44940165	ROD	1209	abcde.....	1	22181355	CARBON BRUSH SET
0109	abcde.....	1	44940395	ROD	1210	abcde.....	2	45220680	SLEEVE
0111	abcde.....	1	45060555	SEAL RING					
0112	abcde.....	1	45060685	FELT PACKING					
0114	abcde.....	1	45300060	RETAINER					
0115	abcde.....	1	45562640	PERCUSSION BODY					
0118	abcde.....	2	45881565	WASHER					
0119	abcde.....	2	45884005	WASHER					
0121	abcde.....	1	45887170	WASHER					
0122	abcde.....	2	45888555	WASHER					
0123	abcde.....	1	45060535	SEAL					
0124	abcde.....	1	45888730	WASHER					
0125	abcde.....	1	14460040	REPAIR KIT					
1200	abcde.....	1	14469266	SERVICE-KIT					
1201	abcde.....	2	31120040	PLUG					
1202	abcde.....	1	34400240	SEAL					
1203	abcde.....	2	34404350	O-RING					
1204	abcde.....	1	34404475	SEAL					

Repairs/modification and testing of electric power tools are to be carried out by specialists. The safety regulations according to DIN/VDE/CEE/AFNOR and other regulations valid in the different countries are to be observed.