

A & M Electric Tools

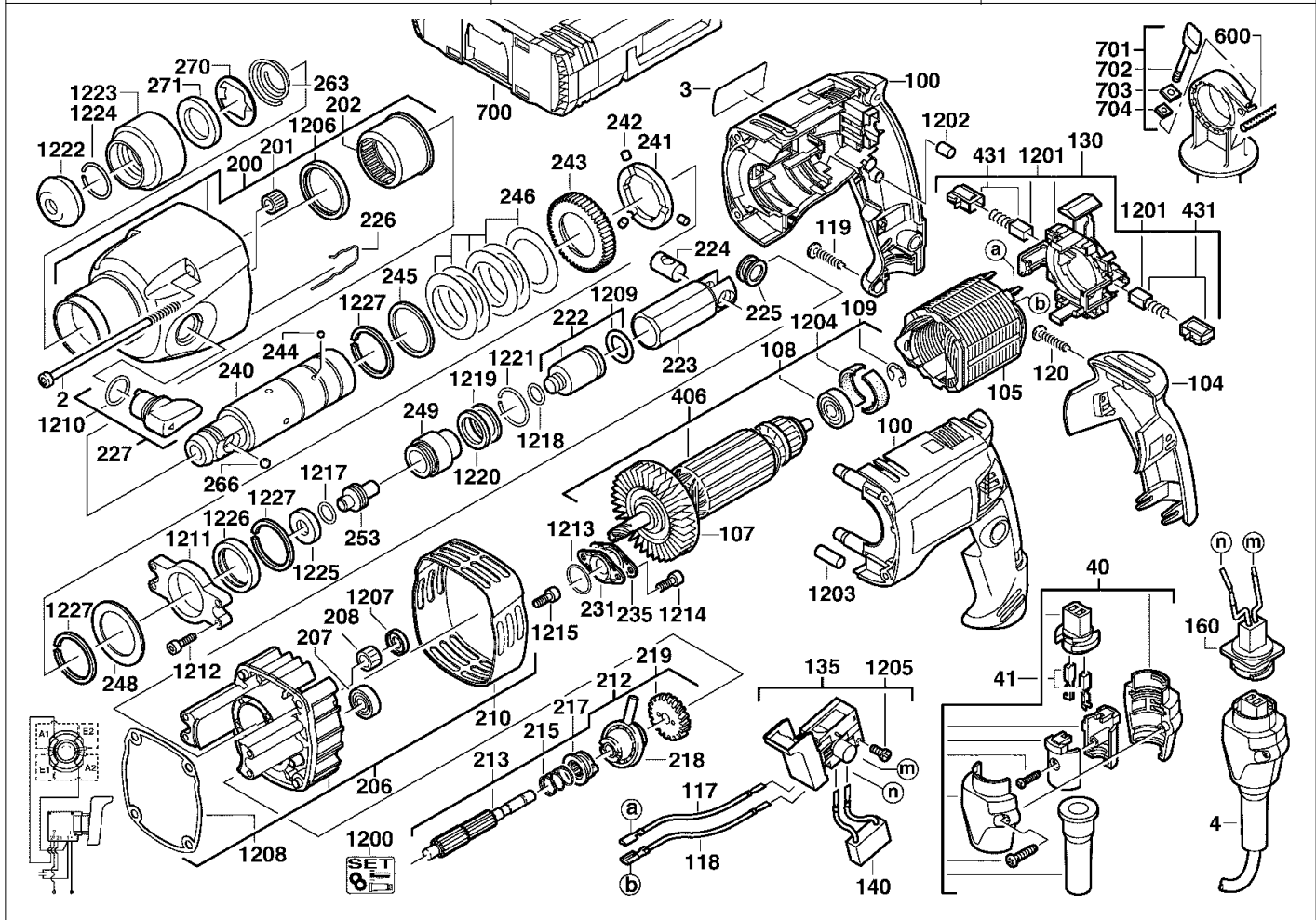
Rotary Hammers

Milwaukee

PFH24QE

Exp.view No. Version Date Page
4926 3823 08 0007 28.08.03 1/3

Ind	Product No.	Type	Voltage	Country	Ind	Product No.	Type	Voltage	Country
a	4000382986	PFH24QE	220-240V	IN2					
b	4000382306	PFH24QE	220-240V	AUS					



Pos	Index	Quanti	Article No.	Designation	Pos	Index	Quanti	Article No.	Designation
0002	ab.....	4	4931331734	SCREW	0200	ab.....	1	4931382316	GEAR BOX
0003	a.....	1	4931382989	RATING PLATE	0201	ab.....	1	4931933756	NEEDLE BEARING
0003	.b.....	1	4931382310	RATING PLATE	0202	ab.....	1	4931365065	NEEDLE BUSH
0004	a.....	1	4931624171	CONNECTION CABLE	0206	ab.....	1	4931382318	BEARING END PLATE
0004	.b.....	1	4931624342	CONNECTION CABLE	0207	ab.....	1	4931623951	BALL BEARING
0040	ab.....	1	4931380758	REPAIR KIT	0208	ab.....	1	4931219424	NEEDLE BEARING
0041	ab.....	1	4931380763	CABLE SOCKET P./10	0210	ab.....	1	4931382319	INSUL.FOR END PLATE
0100	ab.....	1	4931374910	BODY	0212	ab.....	1	4931365015	REDUCTION GEAR
0104	ab.....	1	4931374488	HANDLE COVER	0213	ab.....	1	4931365010	REDUCT. GEAR SHAFT
0105	ab.....	1	4931374623	ELECTRIC FIELD	0215	ab.....	1	4931365058	SPRING
0107	ab.....	1	4931330633	FAN	0217	ab.....	1	4931365012	COUPLING SLEEVE
0108	ab.....	1	4931624169	BALL BEARING	0218	ab.....	1	4931365013	WOBBLE DRIVE
0109	ab.....	1	4931621834	WASHER	0219	ab.....	1	4931365014	REDUCTION GEAR
0117	ab.....	1	4931253700	WIRE	0222	ab.....	1	4931365028	PERCUSSION BODY
0118	ab.....	1	4931253700	WIRE	0223	ab.....	1	4931365029	CYLINDER
0119	ab.....	5	4931618253	SCREW	0224	ab.....	1	4931365056	CYLINDRICAL BOLT
0120	ab.....	1	4931623973	SCREW	0225	ab.....	2	4931365112	DISC
0130	ab.....	1	4931374498	SET COLLAR	0226	ab.....	1	4931365047	LOCKING WASHER
0135	a.....	1	4931382238	SWITCH BOARD	0227	ab.....	1	4931374856	SWITCH HANDLE
0135	.b.....	1	4931374459	SWITCH BOARD	0231	ab.....	1	4931365051	BEARING COVER
0140	ab.....	1	4931311062	CAPACITOR	0235	ab.....	1	4931365135	SPECS
0160	ab.....	1	4931364437	INSERT	0240	ab.....	1	4931374258	SPINDLE SLEEVE

Repairs/modification and testing of electric power tools are to be carried out by specialists. The safety regulations according to DIN/VDE/CEE/AFNOR and other regulations valid in the different countries are to be observed.

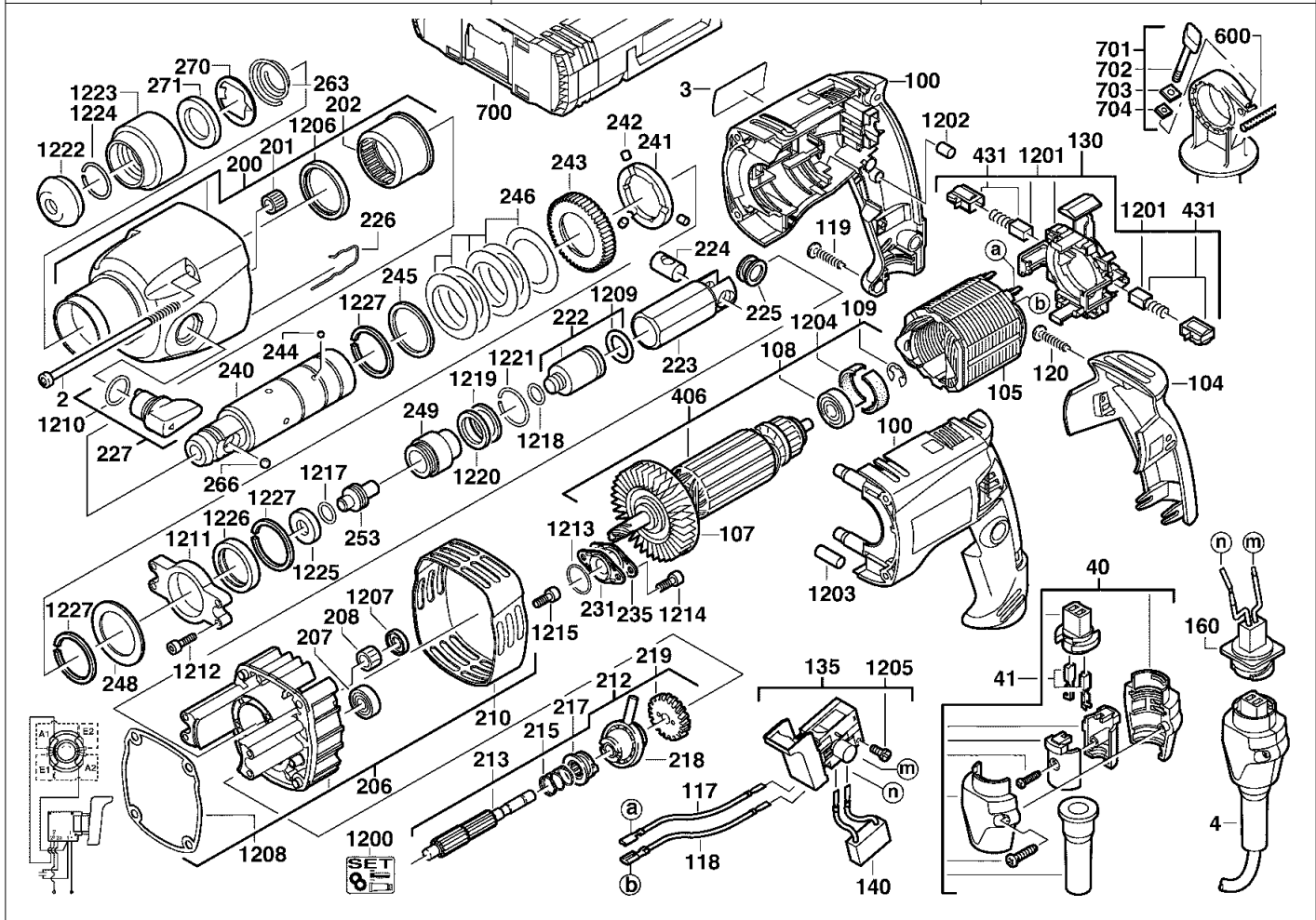
A & M Electric Tools

Rotary Hammers

Ind	Product No.	Type	Voltage	Country
a	4000382986	PFH24QE	220-240V	IN2
b	4000382306	PFH24QE	220-240V	AUS

Ind	Product No.	Type	Voltage	Country

Milwaukee	
PFH24QE	
Exp.view No.	Version Date Page
4926 3823 08	0007 28.08.03 2/3



Pos	Index	Quanti	Article No.	Designation
0241	ab.....	1	4931392751	CLUTCH DISC
0242	ab.....	3	4931365057	CYLINDRICAL BOLT
0243	ab.....	1	4931392489	SPINDLE GEAR
0244	ab.....	3	4931944281	BALL
0245	ab.....	1	4931623234	WASHER
0246	ab.....	5	4931365066	CUP SPRING
0248	ab.....	1	4931623199	WASHER
0249	ab.....	1	4931365136	SLEEVE
0253	ab.....	1	4931365034	SNAP DIE
0263	ab.....	1	4931343128	PRESSURE SPRING
0266	ab.....	1	4931911572	BALL
0270	ab.....	1	4931343127	SUPPORT PLATE
0271	ab.....	1	4931343126	HOLDING RING
0406	ab.....	1	4931365911	ARMATURE
0431	ab.....	1	4931392563	CARBON BRUSH SET
0600	ab.....	1	4931384434	DEPTH GAUGE
0700	ab.....	1	4932378986	CARRYING CASE
0701	ab.....	1	4932373725	HANDLE
0702	ab.....	1	4931254533	SCREW
0703	ab.....	1	4931271221	CLAMPING PLATE
0704	ab.....	1	4931614025	NUT
1200	ab.....	1	4931365910	MAINTENANCE SET

Pos	Index	Quanti	Article No.	Designation
1201	ab.....	1	4931392604	CARBON BRUSH SET
1202	ab.....	1	4931271824	HOLDING-DOWN DEVIC
1203	ab.....	1	4931307423	HOLDING-DOWN DEVIC
1204	ab.....	1	4931392373	RUBBER SPRING
1205	ab.....	2	4931621772	SCREW
1206	ab.....	1	4931623885	SEAL RING
1207	ab.....	1	4931623700	SEAL RING
1208	ab.....	1	4931379289	SEAL
1209	ab.....	1	4931360319	SEAL RING
1210	ab.....	1	4931920948	O-RING
1211	ab.....	1	4931365032	SINTERED BEARING
1212	ab.....	4	4931623886	SCREW
1213	ab.....	1	4931623833	SEAL RING
1214	ab.....	2	4931267225	SCREW
1215	ab.....	1	4931374073	SCREW
1217	ab.....	1	4931623783	SEAL RING
1218	ab.....	1	4931623468	RADIAL SEAL RING
1219	ab.....	1	4931622160	DISC
1220	ab.....	1	4931943504	O-RING
1221	ab.....	1	4931623860	SPRING RING
1222	ab.....	1	4931343123	CAP
1223	ab.....	1	4931365054	SLEEVE

Repairs/modification and testing of electric power tools are to be carried out by specialists. The safety regulations according to DIN/VDE/CEE/AFNOR and other regulations valid in the different countries are to be observed.

A & M Electric Tools

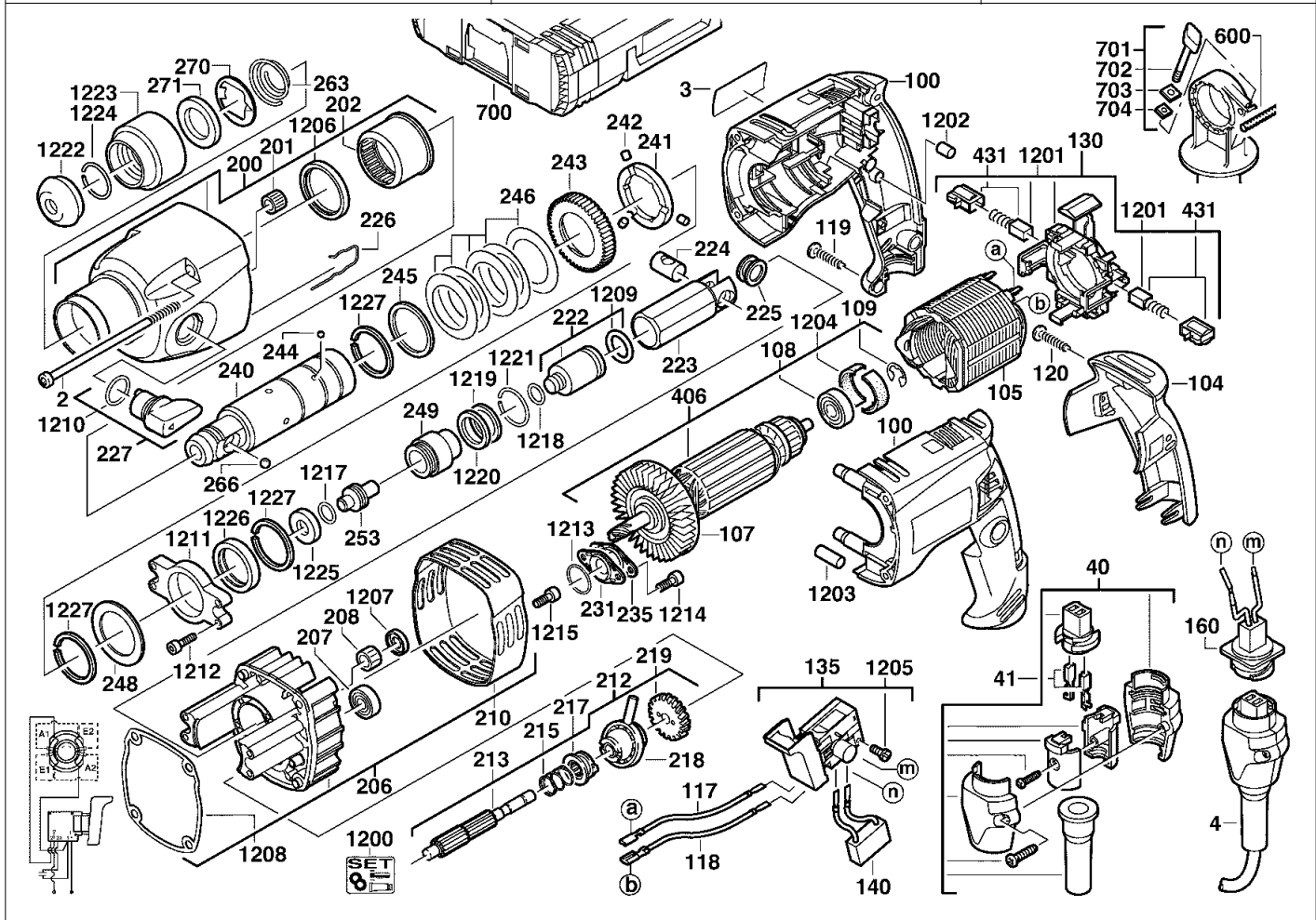
Rotary Hammers

Milwaukee
PFH24QE

Ind	Product No.	Type	Voltage	Country
a	4000382986	PFH24QE	220-240V	IN2
b	4000382306	PFH24QE	220-240V	AUS

Ind	Product No.	Type	Voltage	Country

Exp.view No. Version Date Page
4926 3823 08 0007 28.08.03 3/3



Pos	Index	Quanti	Article No.	Designation
1224	ab.....	1	4931623220	SPRING RING
1225	ab.....	1	4931374728	STOP WASHER
1226	ab.....	1	4931365188	DAMPING RING
1227	ab.....	3	4931945764	SPRING RING

Pos	Index	Quanti	Article No.	Designation

Repairs/modification and testing of electric power tools are to be carried out by specialists. The safety regulations according to DIN/VDE/CEE/AFNOR and other regulations valid in the different countries are to be observed.