

A & M Electric Tools

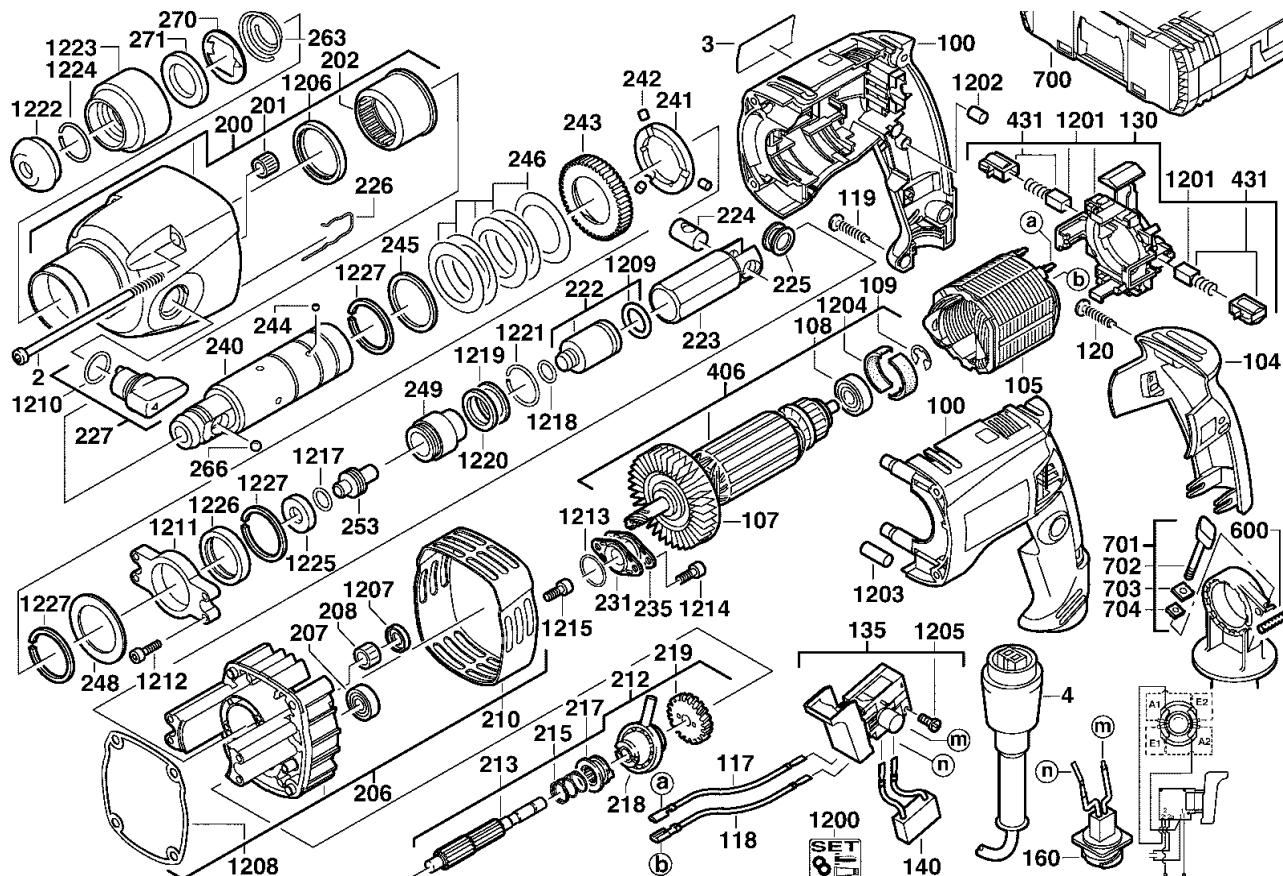
Rotary Hammers

Milwaukee

PFH20QE

Exp.view No. Version Date Page
 4926 3829 64 0002 28.08.03 1/3

Ind	Product No.	Type	Voltage	Country	Ind	Product No.	Type	Voltage	Country
a	4000382972	PFH20QE	220-240V	IN2					
b	4000382962	PFH20QE	110V	GB1					



Pos	Index	Quanti	Article No.	Designation	Pos	Index	Quanti	Article No.	Designation
0002	ab.....	4	4931331734	SCREW	0140	ab.....	1	4931311062	CAPACITOR
0003	a.....	1	4931382975	RATING PLATE	0160	a.....	1	4931364437	INSERT
0003	.b.....	1	4931382968	RATING PLATE	0160	.b.....	1	4931364436	PLUG
0004	a.....	1	4931624171	CONNECTION CABLE	0200	ab.....	1	4931382316	GEAR BOX
0004	.b.....	1	4931624186	CONNECTION CABLE	0201	ab.....	1	4931933756	NEEDLE BEARING
0100	ab.....	1	4931374910	BODY	0202	ab.....	1	4931365065	NEEDLE BUSH
0104	ab.....	1	4931374488	HANDLE COVER	0206	ab.....	1	4931382969	BEARING END PLATE
0105	a.....	1	4931365064	ELECTRIC FIELD	0207	ab.....	1	4931623951	BALL BEARING
0105	.b.....	1	4931364086	ELECTRIC FIELD	0208	ab.....	1	4931219424	NEEDLE BEARING
0107	ab.....	1	4931330633	FAN	0210	ab.....	1	4931382970	INSUL.FOR END PLATE
0108	ab.....	1	4931624169	BALL BEARING	0212	ab.....	1	4931365015	REDUCTION GEAR
0109	ab.....	1	4931621834	WASHER	0213	ab.....	1	4931365010	REDUCT. GEAR SHAFT
0117	a.....	1	4931253700	WIRE	0215	ab.....	1	4931365058	SPRING
0117	.b.....	1	4931623372	WIRE	0217	ab.....	1	4931365012	COUPLING SLEEVE
0118	a.....	1	4931253700	WIRE	0218	ab.....	1	4931365013	WOBBLE DRIVE
0118	.b.....	1	4931623372	WIRE	0219	ab.....	1	4931365014	REDUCTION GEAR
0119	ab.....	5	4931618253	SCREW	0222	ab.....	1	4931365028	PERCUSSION BODY
0120	ab.....	1	4931623973	SCREW	0223	ab.....	1	4931365029	CYLINDER
0130	a.....	1	4931374498	SET COLLAR	0224	ab.....	1	4931365056	CYLINDRICAL BOLT
0130	.b.....	1	4931374499	SET COLLAR	0225	ab.....	2	4931365112	DISC
0135	a.....	1	4931382238	SWITCH BOARD	0226	ab.....	1	4931365047	LOCKING WASHER
0135	.b.....	1	4931374497	SWITCH BOARD	0227	ab.....	1	4931374856	SWITCH HANDLE

Repairs/modification and testing of electric power tools are to be carried out by specialists. The safety regulations according to DIN/VDE/CEE/AFNOR and other regulations valid in the different countries are to be observed.

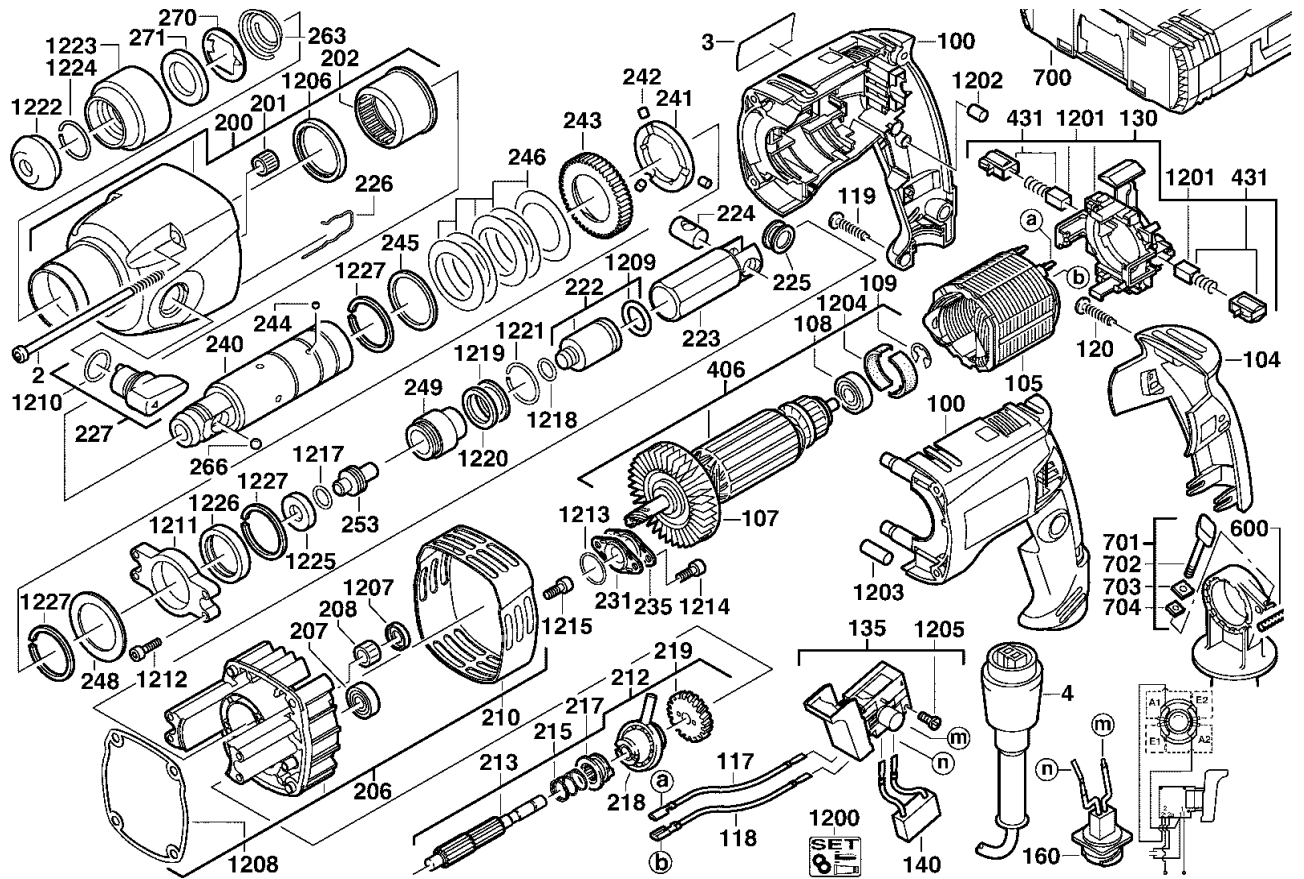
A & M Electric Tools

Rotary Hammers

Ind	Product No.	Type	Voltage	Country
a	4000382972	PFH20QE	220-240V	IN2
b	4000382962	PFH20QE	110V	GB1

Ind	Product No.	Type	Voltage	Country

Milwaukee			
PFH20QE			
Exp.view No.	Version	Date	Page
4926 3829 64	0002	28.08.03	2/3



Pos	Index	Quanti	Article No.	Designation	Pos	Index	Quanti	Article No.	Designation
0231	ab.....	1	4931365051	BEARING COVER	0701	ab.....	1	4932373725	HANDLE
0235	ab.....	1	4931365135	SPECS	0702	ab.....	1	4931254533	SCREW
0240	ab.....	1	4931374258	SPINDLE SLEEVE	0703	ab.....	1	4931271221	CLAMPING PLATE
0241	ab.....	1	4931392751	CLUTCH DISC	0704	ab.....	1	4931614025	NUT
0242	ab.....	3	4931365057	CYLINDRICAL BOLT	1200	a.....	1	4931365910	MAINTENANCE SET
0243	ab.....	1	4931392489	SPINDLE GEAR	1200	b.....	1	4931374197	MAINTENANCE SET
0244	ab.....	3	4931944281	BALL	1201	a.....	1	4931392604	CARBON BRUSH SET
0245	ab.....	1	4931623234	WASHER	1202	ab.....	1	4931271824	HOLDING-DOWN DEVIC
0246	ab.....	5	4931365066	CUP SPRING	1203	ab.....	1	4931307423	HOLDING-DOWN DEVIC
0248	ab.....	1	4931623199	WASHER	1204	ab.....	1	4931392373	RUBBER SPRING
0249	ab.....	1	4931365136	SLEEVE	1205	ab.....	2	4931621772	SCREW
0253	ab.....	1	4931365034	SNAP DIE	1206	ab.....	1	4931623885	SEAL RING
0263	ab.....	1	4931343128	PRESSURE SPRING	1207	ab.....	1	4931623700	SEAL RING
0266	ab.....	1	4931911572	BALL	1208	ab.....	1	4931379289	SEAL
0270	ab.....	1	4931343127	SUPPORT PLATE	1209	ab.....	1	4931360319	SEAL RING
0271	ab.....	1	4931343126	HOLDING RING	1210	ab.....	1	4931920948	O-RING
0406	a.....	1	4931365913	ARMATURE	1211	ab.....	1	4931365032	SINTERED BEARING
0406	b.....	1	4931374450	ARMATURE	1212	ab.....	4	4931623886	SCREW
0431	a.....	1	4931392563	CARBON BRUSH SET	1213	ab.....	1	4931623833	SEAL RING
0431	b.....	1	4931372361	CARBON BRUSH SET	1214	ab.....	2	4931267225	SCREW
0600	ab.....	1	4931384434	DEPTH GAUGE	1215	ab.....	1	4931374073	SCREW
0700	ab.....	1	4932378986	CARRYING CASE	1217	ab.....	1	4931623783	SEAL RING

Repairs/modification and testing of electric power tools are to be carried out by specialists. The safety regulations according to DIN/VDE/CEE/AFNOR and other regulations valid in the different countries are to be observed.

A & M Electric Tools

Rotary Hammers

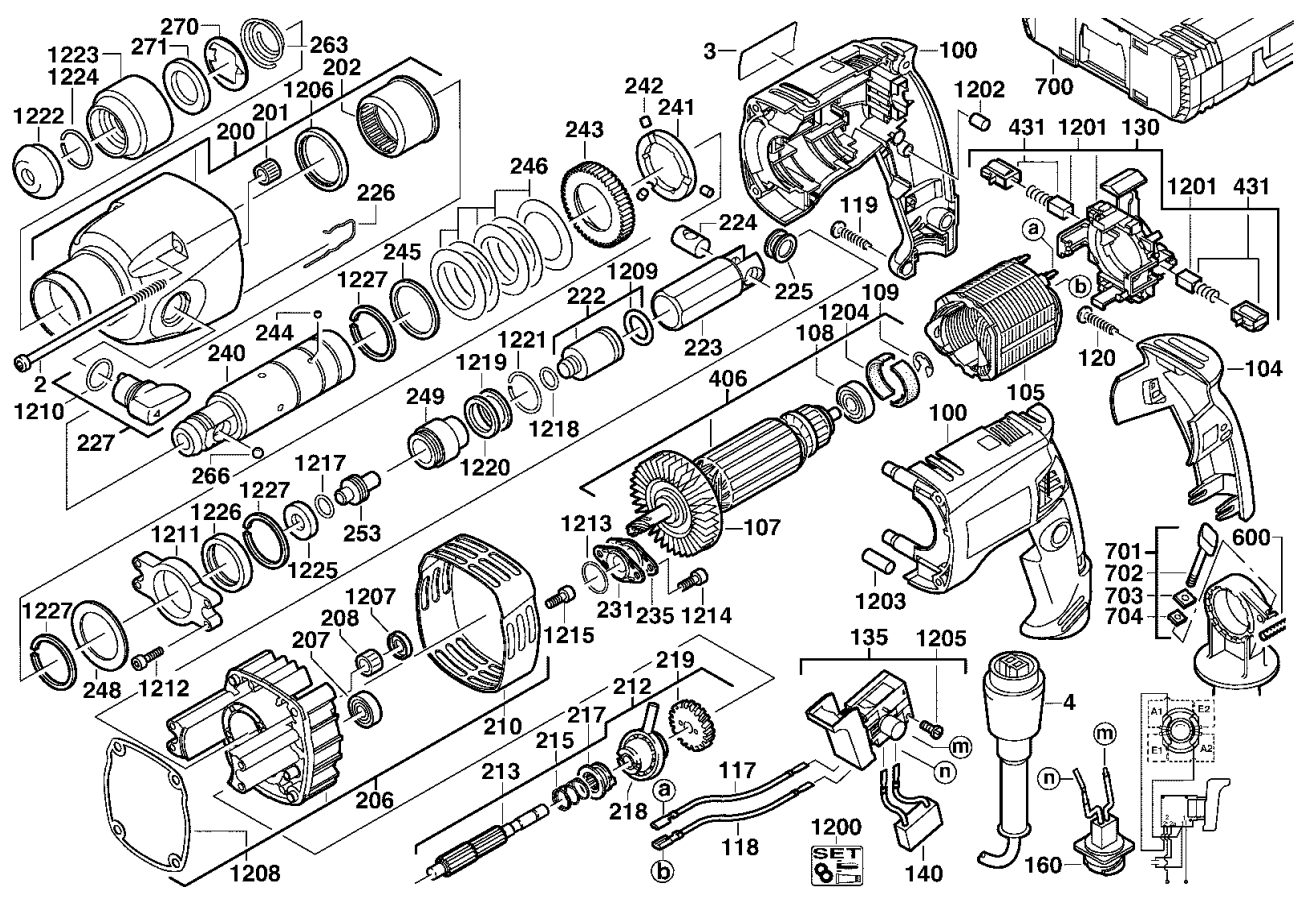
Milwaukee

PFH20QE

Exp.view No. Version Date Page
4926 3829 64 0002 28.08.03 3/3

Ind	Product No.	Type	Voltage	Country
a	4000382972	PFH20QE	220-240V	IN2
b	4000382962	PFH20QE	110V	GB1

Ind	Product No.	Type	Voltage	Country



Pos	Index	Quanti	Article No.	Designation
1218	ab.....	1	4931623468	RADIAL SEAL RING
1219	ab.....	1	4931622160	DISC
1220	ab.....	1	4931943504	O-RING
1221	ab.....	1	4931623860	SPRING RING
1222	ab.....	1	4931343123	CAP
1223	ab.....	1	4931365054	SLEEVE
1224	ab.....	1	4931623220	SPRING RING
1225	ab.....	1	4931374728	STOP WASHER
1226	ab.....	1	4931365188	DAMPING RING
1227	ab.....	3	4931945764	SPRING RING

Pos	Index	Quanti	Article No.	Designation

Repairs/modification and testing of electric power tools are to be carried out by specialists. The safety regulations according to DIN/VDE/CEE/AFNOR and other regulations valid in the different countries are to be observed.