

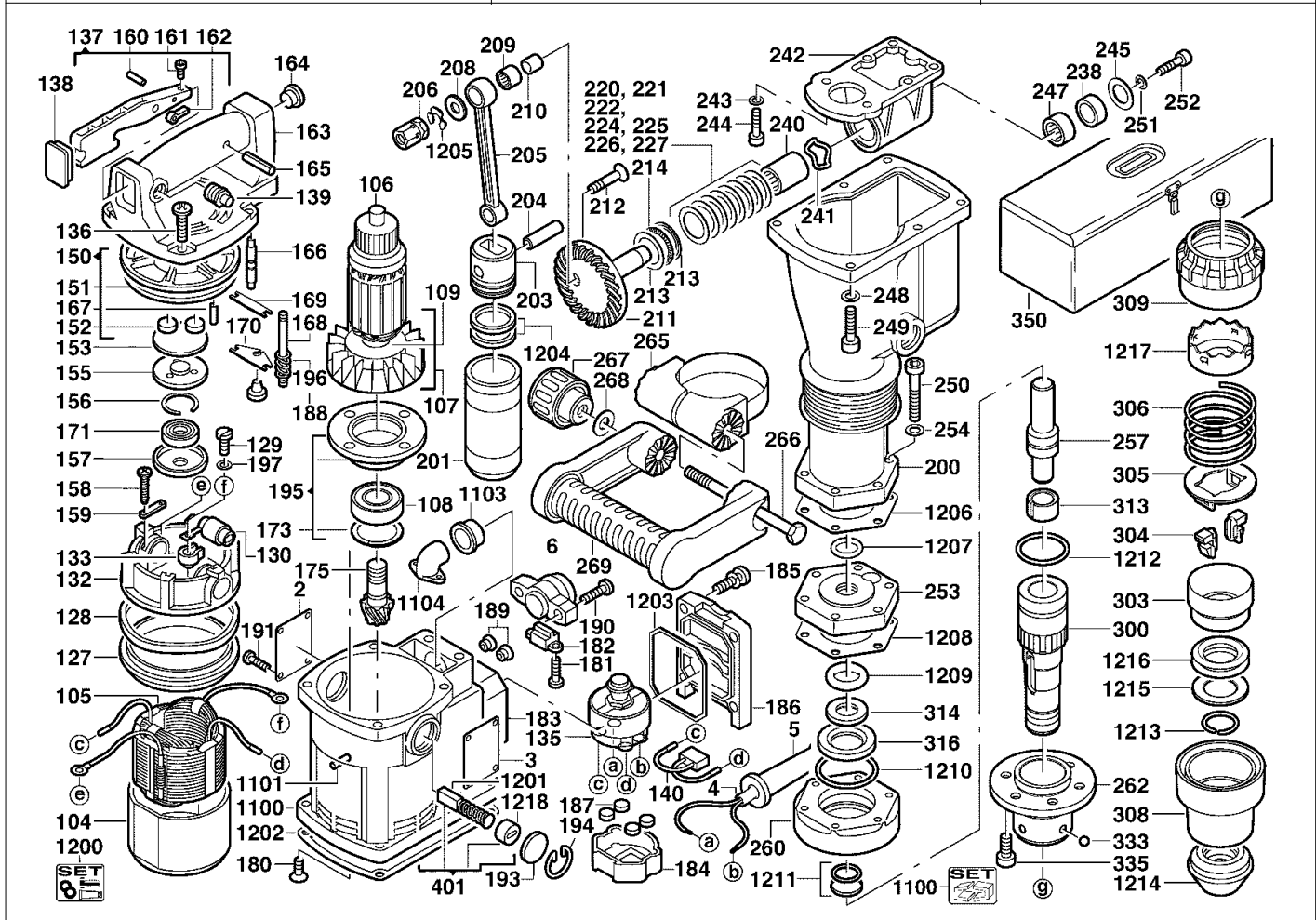
# A & M Electric Tools

# Rotary Hammers

Ind	Product No.	Type	Voltage	Country
a	4000384119	PB10S	220-230V	IN2
b	4000382321	PB10S	240V	AUS
c	4000384241	PB10S	110V	GB1

Ind	Product No.	Type	Voltage	Country

Milwaukee	
PB10S	
Exp.view No.	Version Date Page
4926 3823 23	0003 08.02.02 1/4



Pos	Index	Quanti	Article No.	Designation	Pos	Index	Quanti	Article No.	Designation
0002	abc	1	4931378806	TYPE PLATE	0130	abc	2	9170003020	BRUSH HOLDER
0003	a	1	4931384122	RATING PLATE	0132	abc	1	9170003110	BRUSH HOLDER
0003	.b	1	4931382340	RATING PLATE	0133	abc	2	9170003050	HOUSING
0003	.c	1	4931384245	RATING PLATE	0135	abc	1	9170287430	SWITCH
0004	a	1	9170289800	CONNECTION CABLE	0136	abc	4	9170019390	SCREW
0004	.b	1	4931624328	CONNECTION CABLE	0137	abc	1	9170002200	SWITCH BUTTON
0004	.c	1	9170334130	CONNECTION CABLE	0138	abc	1	9170002100	PLUG
0005	abc	1	9170040030	CABLE ENTRY SLEEVE	0139	abc	1	9170002070	BUTTON
0006	abc	1	9170040120	CORD GUARD HOUSING	0140	abc	1	9170202962	CAPACITOR
0104	abc	1	9170006050	MAIN INSULAT.LINE	0150	abc	1	9170001160	END PLATE
0105	a	1	9170296020	ELECTRIC FIELD	0151	abc	1	9170001230	MOTOR INSUL.PLATE
0105	.b	1	9170296030	ELECTRIC FIELD	0152	abc	2	9170043200	TERMINAL
0105	.c	1	9170296000	ELECTRIC FIELD	0153	abc	1	9170001050	WASHER
0106	a	1	9170295910	ARMATURE	0155	abc	1	9170001060	WASHER
0106	.b	1	9170295920	ARMATURE	0156	abc	1	9170022210	RING
0106	.c	1	9170295890	ARMATURE	0157	abc	1	9170004030	BEARING COVER
0107	abc	1	4931379024	FAN	0158	abc	4	9170019170	SCREW
0108	abc	1	4931893041	BALL BEARING	0159	abc	2	9170003030	BAND
0109	abc	2	9170328870	O-RING	0160	abc	1	9170022740	PIN
0127	abc	1	9170006040	THRUST COLLAR	0161	abc	1	9170019100	SCREW
0128	abc	1	9170020040	SPRING WASHER	0162	abc	1	9170002160	PLATE
0129	abc	2	9170019730	SCREW	0163	abc	1	9170330240	HANDLE

Repairs/modification and testing of electric power tools are to be carried out by specialists. The safety regulations according to DIN/VDE/CEE/AFNOR and other regulations valid in the different countries are to be observed.

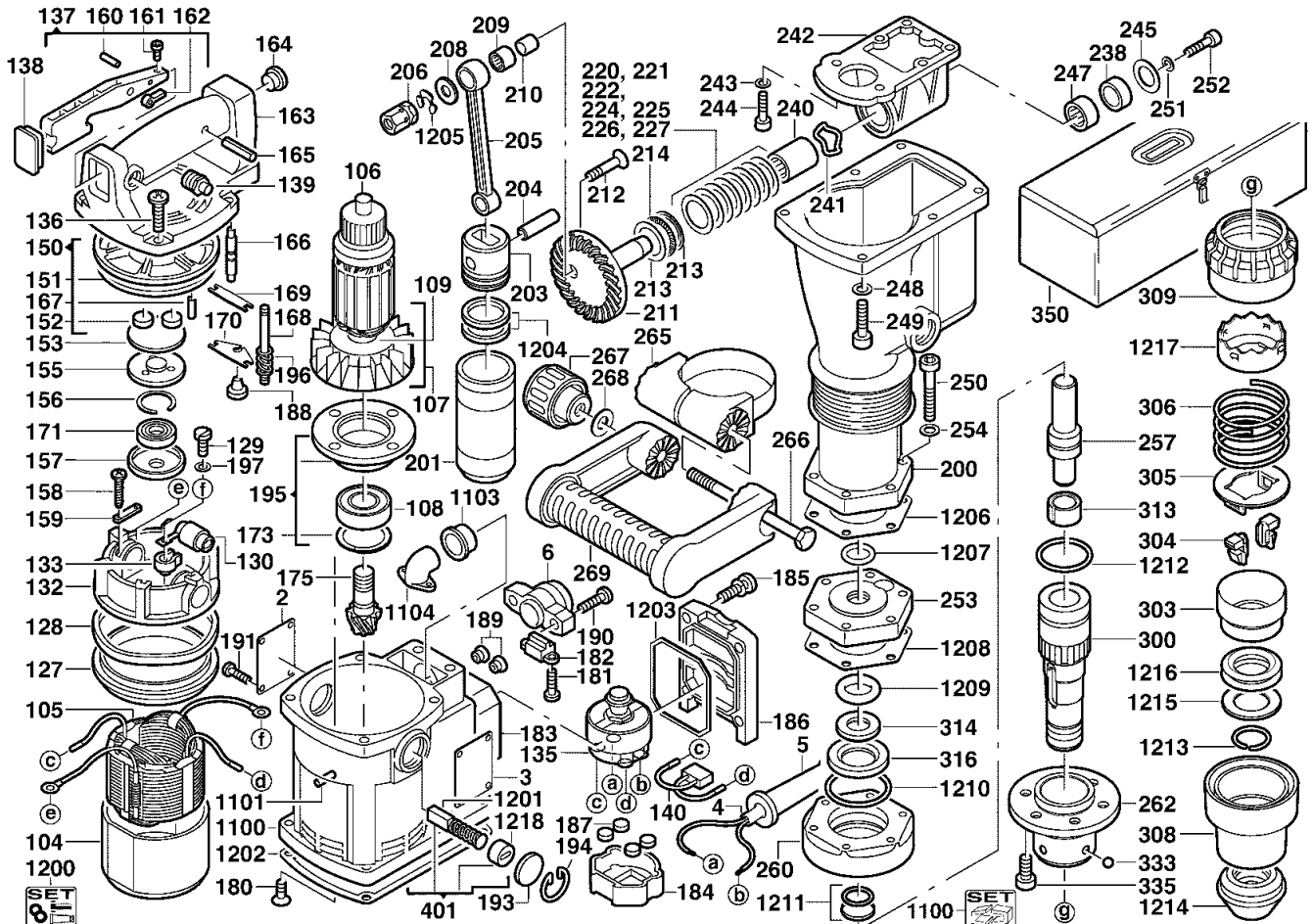
# A & M Electric Tools

Ind	Product No.	Type	Voltage	Country
a	4000384119	PB10S	220-230V	IN2
b	4000382321	PB10S	240V	AUS
c	4000384241	PB10S	110V	GB1

# Rotary Hammers

**Milwaukee**  
**PB10S**

Exp.view No.      Version      Date      Page  
**4926 3823 23      0003      08.02.02      2/4**



Pos	Index	Quanti	Article No.	Designation
0164	abc.....	1	9170002110	PLUG
0165	abc.....	1	9170022730	PIN
0166	abc.....	1	9170002210	RAM
0167	abc.....	1	9170022230	PIN
0168	abc.....	2	9170286090	BAR
0169	abc.....	1	9170002050	PLUNGER ABUTM.PLAT
0170	abc.....	1	9170286100	PLATE
0171	abc.....	1	9170021010	BEARING
0173	abc.....	1	9170334170	PROTECTION WASHER
0175	abc.....	1	9170007050	PINION
0180	abc.....	2	9170019110	SCREW
0181	abc.....	2	9170019760	SCREW
0182	abc.....	1	9170040040	CABLE CLAMP
0183	abc.....	1	9170286050	SWITCH BOX LINER
0184	abc.....	1	9170286070	SWITCH CUP
0185	abc.....	4	9170069090	LOCK COMPLETE
0186	abc.....	1	9170312740	SWITCH COVER
0187	abc.....	4	9170043200	TERMINAL
0188	abc.....	1	9170286080	PAD
0189	abc.....	2	9170008520	PLUG
0190	abc.....	2	9170019080	SCREW
0191	abc.....	8	9170019150	SCREW

Pos	Index	Quanti	Article No.	Designation
0193	abc.....	2	9170003070	BRUSH HOLDER CAP
0194	abc.....	2	9170022020	PROTECTION WASHER
0195	abc.....	1	9170333510	BEARING COVER
0196	abc.....	2	9170287440	SPRING
0197	abc.....	2	9170019270	WASHER
0200	abc.....	1	4931382336	HAMMER CAS.MACHIN
0201	abc.....	1	9170012940	PERCUSSION BODY
0203	abc.....	1	9170289670	PISTON
0204	abc.....	1	9170012920	BOLT
0205	abc.....	1	9170012070	CONNECTING ROD
0206	abc.....	1	9170019830	NUT
0208	abc.....	1	9170012080	WASHER
0209	abc.....	1	9170021200	NEEDLE BUSH
0210	abc.....	1	9170012010	PIN
0211	abc.....	1	9170331220	BEVEL GEAR
0212	abc.....	1	9170019400	SCREW
0213	abc.....	2	9170021190	WASHER
0214	abc.....	1	9170021050	NEEDLE CAGE
0220	abc.....	1	9170022070	CRANK DISC
0221	abc.....	1	9170022080	CRANK DISC
0222	abc.....	1	9170022090	CRANK DISC
0224	abc.....	1	9170022110	CRANK DISC

Repairs/modification and testing of electric power tools are to be carried out by specialists. The safety regulations according to DIN/VDE/CEE/AFNOR and other regulations valid in the different countries are to be observed.

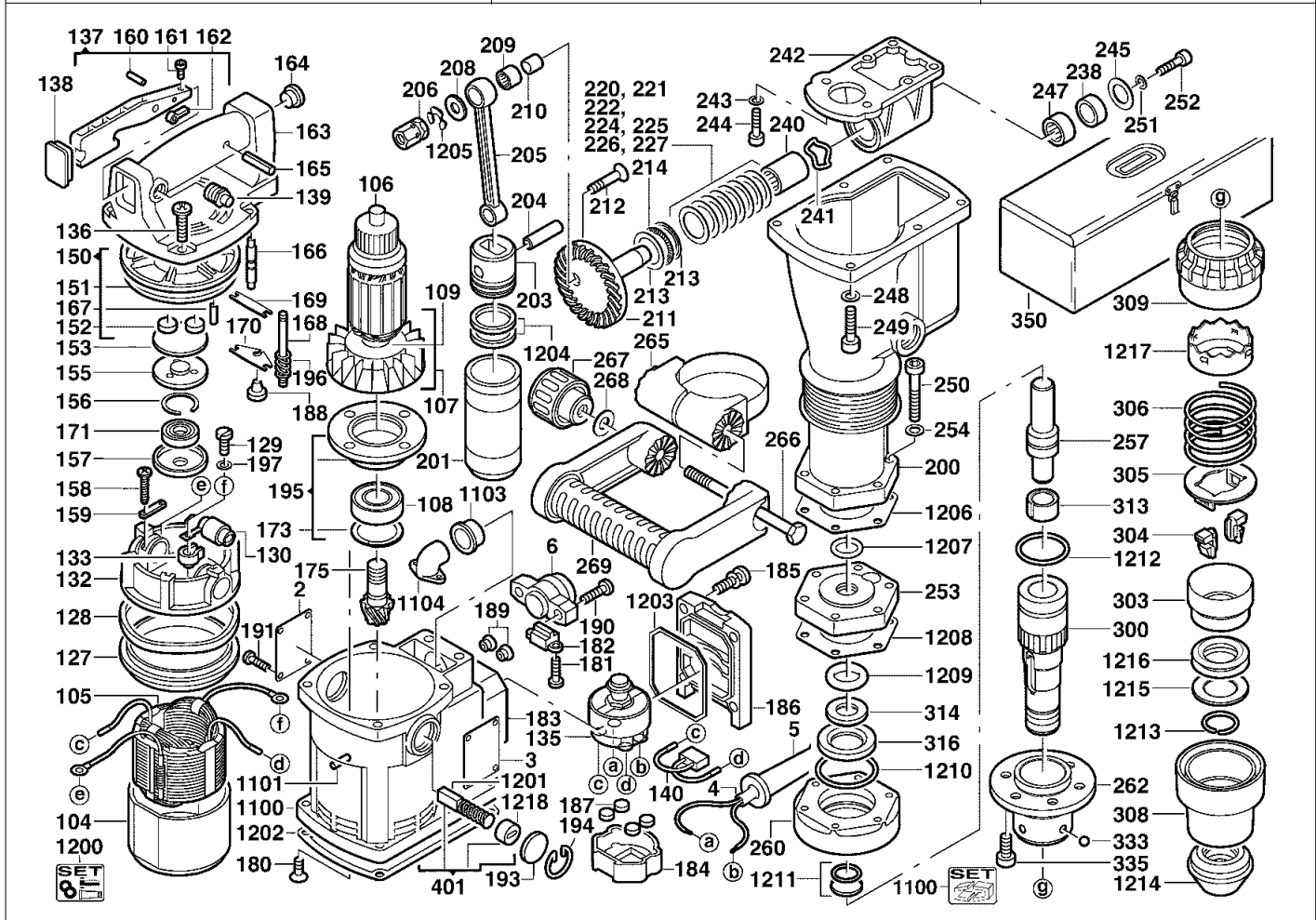
# A & M Electric Tools

# Rotary Hammers

Ind	Product No.	Type	Voltage	Country
a	4000384119	PB10S	220-230V	IN2
b	4000382321	PB10S	240V	AUS
c	4000384241	PB10S	110V	GB1

Ind	Product No.	Type	Voltage	Country

Milwaukee	
PB10S	
Exp.view No.	Version Date Page
4926 3823 23	0003 08.02.02 3/4



Pos	Index	Quanti	Article No.	Designation	Pos	Index	Quanti	Article No.	Designation
0225	abc	1	9170022340	CRANK DISC	0266	abc	1	9170293890	THREADED BOLT
0226	abc	1	9170022350	CRANK DISC	0267	abc	1	9170292670	TURNING KNOB
0227	abc	1	9170022360	CRANK DISC	0268	abc	1	9170293930	WASHER
0238	abc	1	9170011980	BEARING CAGE	0269	abc	1	9170311140	HANDLE
0240	abc	1	9170021220	NEEDLE BUSH	0300	abc	1	9170350269	TOOL ACCEPTANCE
0241	abc	1	4931384538	JUNK RING	0303	abc	1	4931384854	SLEEVE
0242	abc	1	4931379000	GEAR CARRIER	0304	abc	2	9170350257	LATCH
0243	abc	6	9170019090	SPRING WASHER	0305	abc	1	9170324210	LATCH PLATE
0244	abc	6	9170019060	SCREW	0306	abc	1	9170350273	PRESSURE SPRING
0245	abc	1	4931622131	DISC	0308	abc	1	9170350258	SLEEVE
0247	abc	1	9170021210	NEEDLE BUSH	0309	abc	1	9170350270	LOCK
0248	abc	6	9170330190	SPRING WASHER	0313	abc	1	9170350271	JUNK RING
0249	abc	6	9170019670	SCREW	0314	abc	1	9170350285	RING
0250	abc	6	9170019420	SCREW	0316	abc	1	9170350309	JUNK RING
0251	abc	1	9170019090	SPRING WASHER	0333	abc	4	9170350391	BALL
0252	abc	1	9170019060	SCREW	0335	abc	6	9170707003	SCREW
0253	abc	1	4931382337	HOUSING GUIDE	0350	abc	1	4932382342	CARRYING CASE
0254	abc	6	9170330190	SPRING WASHER	0401	abc	1	9170334860	CARBON BRUSH SET
0257	abc	1	9170350276	SNAP DIE	1100	abc	1	4931382334	MOTOR HOUSING
0260	abc	1	9170350284	HOUSING	1101	abc	1	9170022240	PIN
0262	abc	1	9170350277	ADAPTER SLEEVE	1103	abc	1	9170040130	INSULATING BUSH
0265	abc	1	9170292620	STRAP CASTING	1104	abc	1	9170009170	PLUG

Repairs/modification and testing of electric power tools are to be carried out by specialists. The safety regulations according to DIN/VDE/CEE/AFNOR and other regulations valid in the different countries are to be observed.

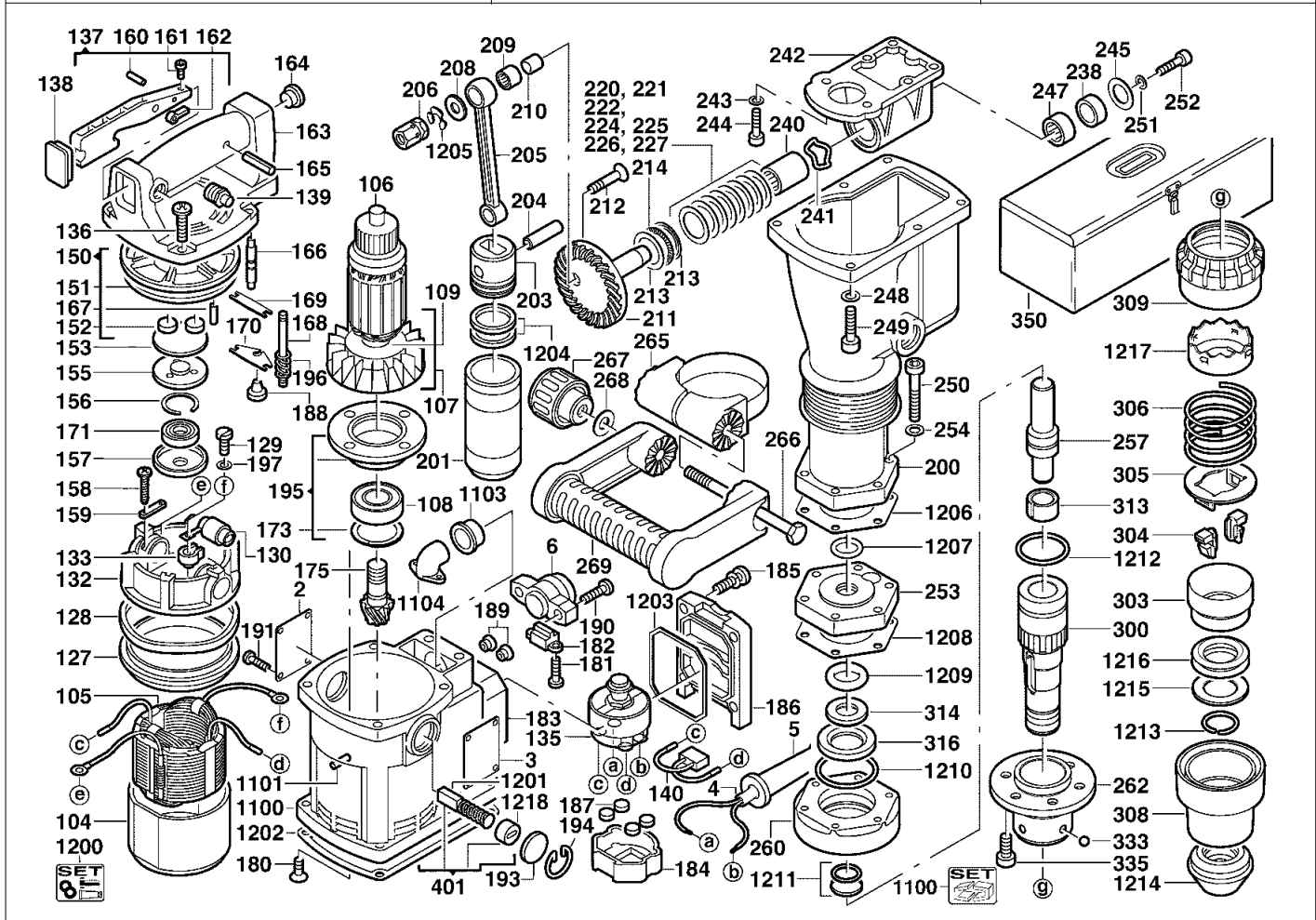
# A & M Electric Tools

# Rotary Hammers

Ind	Product No.	Type	Voltage	Country
a	4000384119	PB10S	220-230V	IN2
b	4000382321	PB10S	240V	AUS
c	4000384241	PB10S	110V	GB1

Ind	Product No.	Type	Voltage	Country

Milwaukee	
PB10S	
Exp.view No.	Version Date Page
4926 3823 23	0003 08.02.02 4/4



Pos	Index	Quanti	Article No.	Designation
1200	abc.....	1	9170324990	MAINTENANCE SET
1201	abc.....	2	9170334860	CARBON BRUSH SET
1202	abc.....	1	9170022250	SEAL
1203	abc.....	1	9170008630	SWITCH SEAL
1204	abc.....	2	9170022819	PISTONRING
1205	abc.....	1	9170022780	PROTECTION WASHER
1206	abc.....	1	9170313810	GASKET
1207	abc.....	1	9170022410	RING
1208	abc.....	1	9170313800	GASKET
1209	abc.....	1	9170015940	RUBBER RING
1210	abc.....	1	9170350311	O-RING
1211	abc.....	1	9170293770	GASKET
1212	abc.....	1	9170324250	O-RING
1213	abc.....	1	9170319040	SPRING RING
1214	abc.....	1	9170350243	END COVER CAP
1215	abc.....	1	4931374974	DAMPING ELEMENT
1216	abc.....	1	4931375775	DAMPING RING
1217	abc.....	1	9170350272	HOLDING DEVICE
1218	abc.....	2	9170003060	BRUSH HOLDER CAP

Pos	Index	Quanti	Article No.	Designation

Repairs/modification and testing of electric power tools are to be carried out by specialists. The safety regulations according to DIN/VDE/CEE/AFNOR and other regulations valid in the different countries are to be observed.