

A & M Electric Tools

Ind	Product No.	Type	Voltage	Country
a	4000375711	950S	220-240V	IN2
b	4000375721	900S	220-240V	IN2
c	4000375753	950S	110V	GB1
d	4000375757	900S	110V	GB1
e	4000375793	950S	220-240V	AUS
f	4000375797	900S	220-240V	AUS
g	4000405366	950S	220-240V	I

Rotary Hammers

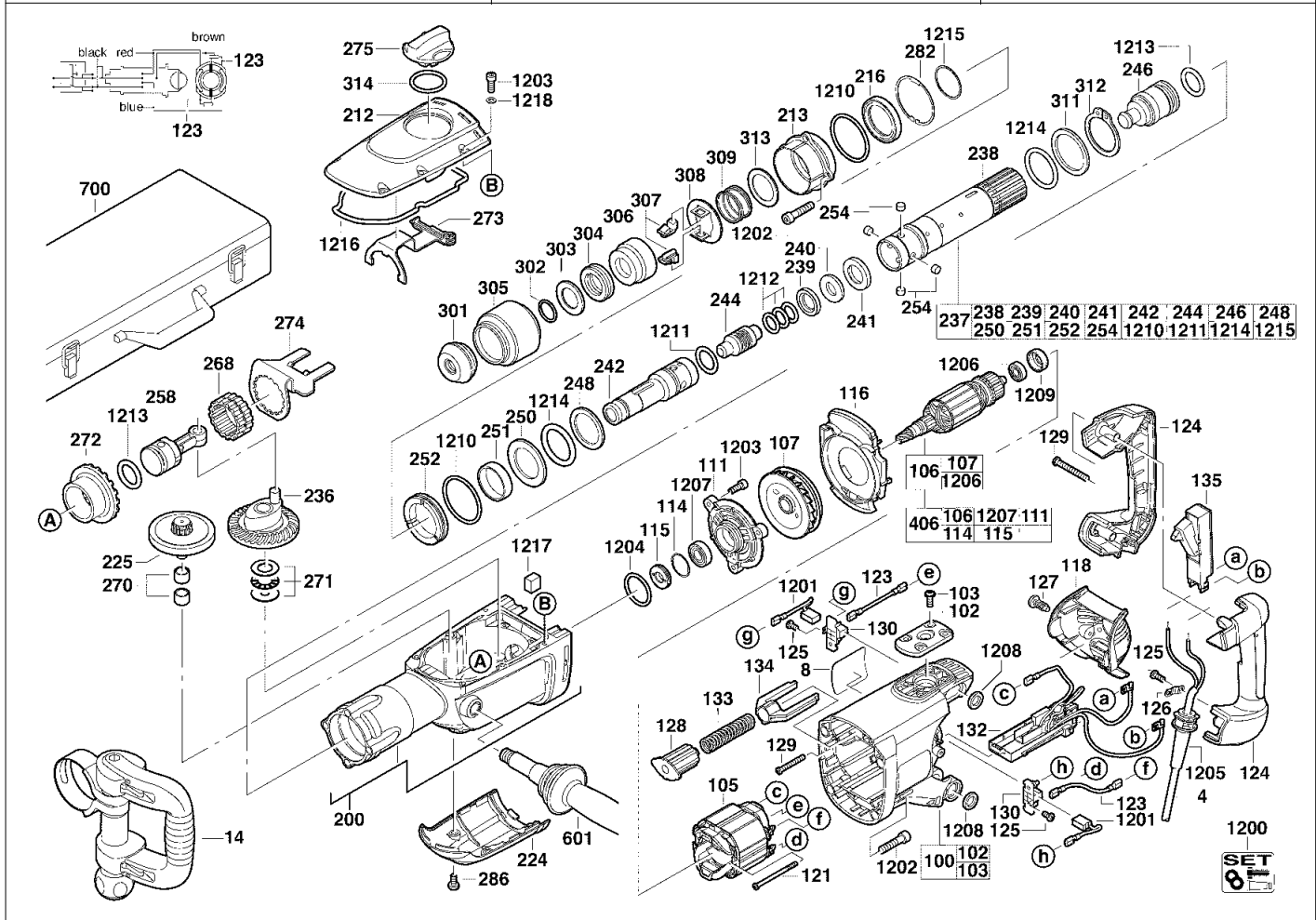
Milwaukee

900 S

950 S

Exp.view No. Version Date Page

4926 3757 14 0004 13.09.07 1/3



Pos	Index	Quanti	Article No.	Designation
0004	ab...g	1	4931624585	CONNECTION CABLE
0004	..cd	1	4931624590	CONNECTION CABLE
0004	...ef	1	4931624589	CONNECTION CABLE
0008	a	1	4931375713	RATING PLATE
0008	.b	1	4931375723	RATING PLATE
0008	..c	1	4931375755	RATING PLATE
0008	...d	1	4931375759	RATING PLATE
0008e	1	4931375795	RATING PLATE
0008f	1	4931375799	RATING PLATE
0008g	1	4931405371	RATING PLATE
0014	abcdefg	1	4931375519	HANDLE
0100	a.c.e.g	1	4931375647	MOTOR HOUSING
0100	.b.d.f	1	4931375548	MOTOR HOUSING
0102	abcdefg	1	4931375531	SECURED WASHER
0103	abcdefg	4	4931624213	SCREW
0105	ab..efg	1	4931375557	ELECTRIC FIELD
0105	..cd	1	4931375669	ELECTRIC FIELD
0106	ab..efg	1	4931375835	ARMATURE
0106	..cd	1	4931375836	ARMATURE
0107	abcdefg	1	4931375474	FAN
0111	abcdefg	1	4931375488	BEARING END PLATE
0114	abcdefg	1	4931890311	LOCKING RING

Pos	Index	Quanti	Article No.	Designation
0115	abcdefg	1	4931375489	SEAL RING
0116	abcdefg	1	4931375515	AIR DEFLECTOR RING
0118	abcdefg	1	4931375535	SERVICING LID
0121	abcdefg	2	4931339996	SCREW
0123	abcdefg	2	4931624263	WIRE
0124	abcdefg	1	4931375560	PAIR HANDLE SHELLS
0125	abcdefg	4	4931624538	SCREW
0126	abcdefg	1	4931256500	CABLE COLLAR
0127	abcdefg	2	4931624537	SCREW
0128	abcdefg	1	4931375477	THRUST PIECE
0129	abcdefg	5	4931622765	SCREW
0130	abcdefg	2	4931329079	BRUSH HOLDER
0132	ab..efg	1	4931375482	ELECTRONIC
0132	..cd	1	4931375483	ELECTRONIC
0133	abcdefg	1	4931375529	PRESSURE SPRING
0134	abcdefg	1	4931375530	TRANSITION PIECE
0135	abcdef	1	4931375454	SWITCH
0135g	1	4931375458	SWITCH
0200	a.c.e.g	1	4931375625	GEAR BOX
0200	.b.d.f	1	4931375570	GEAR BOX
0212	a.c.e.g	1	4931375572	GEAR BOX COVER
0212	.b.d.f	1	4931375592	GEAR BOX COVER

Repairs/modification and testing of electric power tools are to be carried out by specialists. The safety regulations according to DIN/VDE/CEE/AFNOR and other regulations valid in the different countries are to be observed.

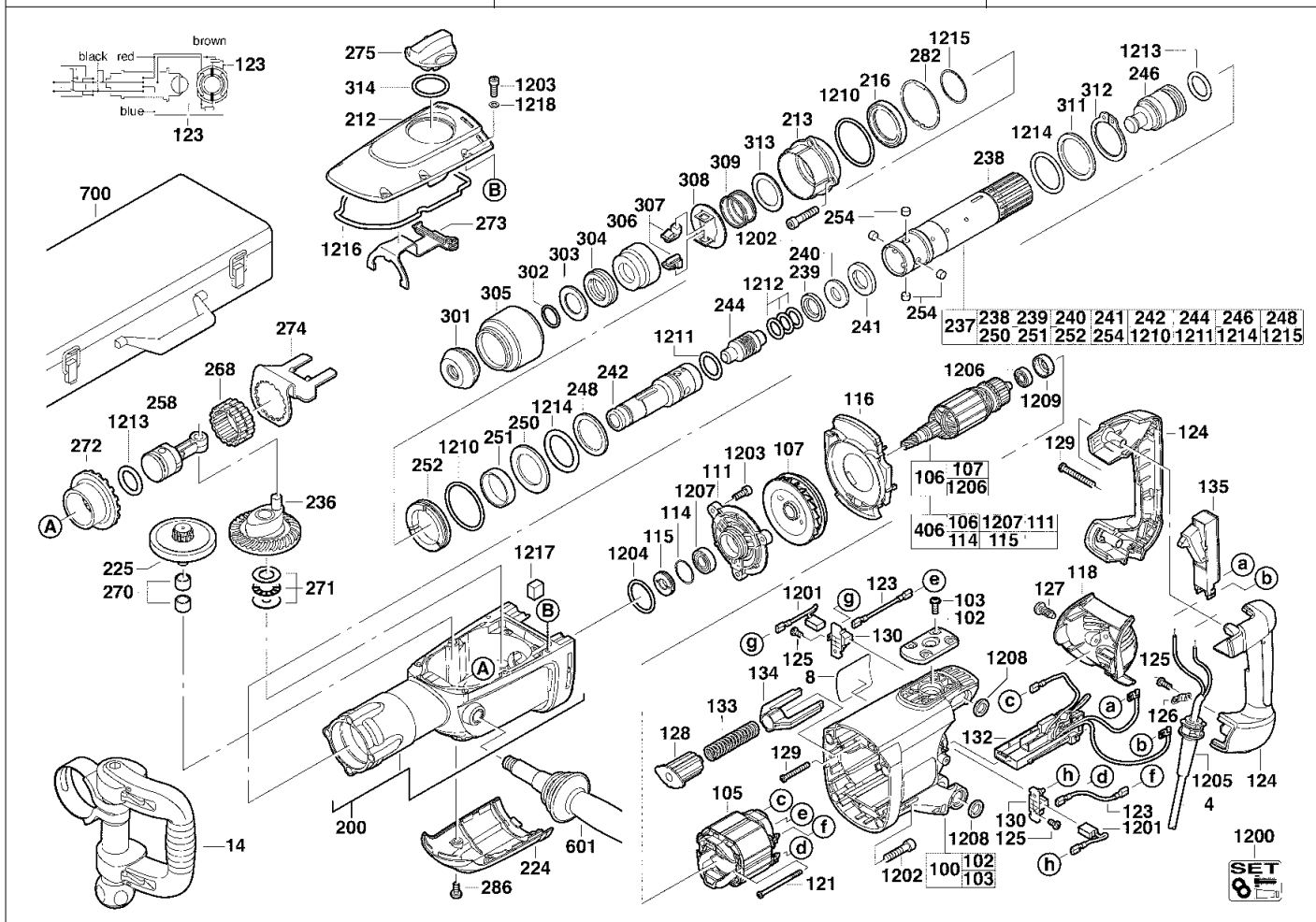
A & M Electric Tools

Ind	Product No.	Type	Voltage	Country
a	4000375711	950S	220-240V	IN2
b	4000375721	900S	220-240V	IN2
c	4000375753	950S	110V	GB1
d	4000375757	900S	110V	GB1
e	4000375793	950S	220-240V	AUS
f	4000375797	900S	220-240V	AUS
g	4000405366	950S	220-240V	I

Rotary Hammers

Milwaukee
900 S
950 S

Exp.view No. Version Date Page
4926 3757 14 0004 13.09.07 2/3



Pos	Index	Quanti	Article No.	Designation	Pos	Index	Quanti	Article No.	Designation
0213	abcdefg.....	1	4931375569	SEAL RETAINER	0272	a.c.e.g.....	1	4931375553	SPINDLE BEVEL GEAR
0216	abcdefg.....	1	4931624205	SEAL RING	0273	abcdefg.....	1	4931375583	ADJUSTING PLATE
0224	abcdefg.....	1	4931375574	GEAR COVER	0274	abcdefg.....	1	4931375401	LOCKING PLATE
0225	a.c.e.g.....	1	4931375838	COUPLING	0275	abcdefg.....	1	4931375546	LEVER
0236	abcdefg.....	1	4931375379	CRANK WHEEL	0282	abcdefg.....	1	4931624235	RETAINING RING
0237	abcdefg.....	1	4931375378	SPINDLE	0286	abcdefg.....	2	4931624236	SCREW
0238	abcdefg.....	1	4931375776	SPINDLE SLEEVE	0301	abcdefg.....	1	9170350243	END COVER CAP
0239	abcdefg.....	1	4931375411	THRUST COLLAR	0302	abcdefg.....	1	9170319040	SPRING RING
0240	abcdefg.....	1	4931375412	BACK-PRESSURE RING	0303	abcdefg.....	1	4931374974	DAMPING ELEMENT
0241	abcdefg.....	1	4931375777	ATTACHMENT RING	0304	abcdefg.....	1	4931375775	DAMPING RING
0242	abcdefg.....	1	4931375423	DRIVER	0305	abcdefg.....	1	9170316570	SLEEVE
0244	abcdefg.....	1	4931375573	SNAP DIE	0306	abcdefg.....	1	4931375774	INTERLOCK SLEEVE
0246	abcdefg.....	1	4931375782	PERCUSSION BODY	0307	abcdefg.....	2	4931375769	INTERLOCK ELEMENT
0248	abcdefg.....	1	4931375416	ATTACHMENT RING	0308	abcdefg.....	1	4931375770	INTERLOCK PLATE
0250	abcdefg.....	1	4931375418	WASHER	0309	abcdefg.....	1	4931375594	PRESSURE SPRING
0251	abcdefg.....	1	4931375419	BALL RACE	0311	b.d.f.....	1	4931375509	ATTACHMENT RING
0252	abcdefg.....	1	4931375420	THRUST COLLAR	0312	b.d.f.....	1	4931624203	RETAINING RING
0254	abcdefg.....	4	4931375787	DRIVER	0313	abcdefg.....	1	4931375595	DISC
0258	abcdefg.....	1	4931375380	PISTON COMPL.	0314	abcdefg.....	1	4931622166	O-RING
0268	abcdefg.....	1	4931396199	SET COLLAR	0406	ab..efg.....	1	4931375526	ARMATURE
0270	a.c.e.g.....	2	4931621847	NEEDLE BEARING	0406	..cd.....	1	4931375568	ARMATURE
0271	abcdefg.....	1	4931375400	THRUST BEARING	0601	abcdefg.....	1	4931375516	HANDLE

Repairs/modification and testing of electric power tools are to be carried out by specialists. The safety regulations according to DIN/VDE/CEE/AFNOR and other regulations valid in the different countries are to be observed.

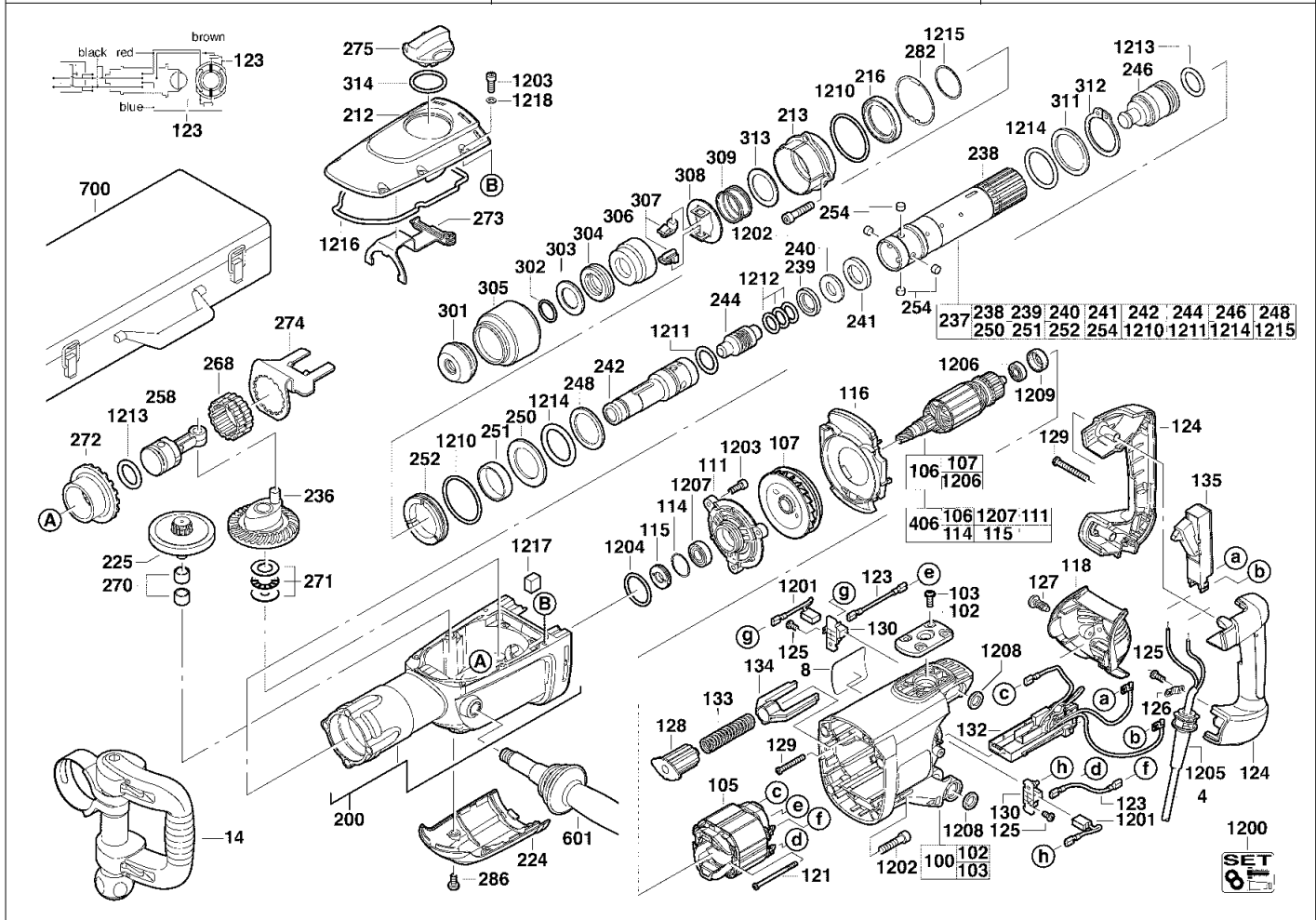
A & M Electric Tools

Rotary Hammers

Ind	Product No.	Type	Voltage	Country
a	4000375711	950S	220-240V	IN2
b	4000375721	900S	220-240V	IN2
c	4000375753	950S	110V	GB1
d	4000375757	900S	110V	GB1
e	4000375793	950S	220-240V	AUS
f	4000375797	900S	220-240V	AUS
g	4000405366	950S	220-240V	I

Ind	Product No.	Type	Voltage	Country
-----	-------------	------	---------	---------

Milwaukee				
900 S				
950 S				
Exp.view No.	Version	Date	Page	
4926 3757 14	0004	13.09.07	3/3	



Pos	Index	Quanti	Article No.	Designation
0700	abcdefg	1	4931375502	CARRYING CASE
1200	abcdefg	1	4931375659	MAINTENANCE SET
1201	abcdefg	1	4931375556	CARBON BRUSH SET
1202	abcdefg	8	4931624234	SCREW
1203	abcdefg	9	4931624276	SCREW
1204	abcdefg	1	4931624237	SEAL RING
1205	abcdefg	1	4931392174	PROTECTING COVER
1206	abcdefg	1	4931341741	BALL BEARING
1207	abcdefg	1	4931398189	GROOVED BALL BEAR.
1208	abcdefg	4	4931624170	SEAL RING
1209	abcdefg	1	4931317212	RUBBER SLEEVE
1210	abcdefg	2	4931624156	SEAL RING
1211	abcdefg	1	4931624161	SEAL RING
1212	abcdefg	3	4931624155	SEAL RING
1213	abcdefg	2	4931624158	SEAL RING
1214	abcdefg	2	4931624157	SEAL RING
1215	abcdefg	1	4931624153	SPRING RING
1216	abcdefg	1	4931375506	GASKET
1217	abcdefg	1	4931375508	FELT
1218	abcdefg	6	4931603515	SEALING WASHER

Pos	Index	Quanti	Article No.	Designation
1201	abcdefg	1	4931375556	CARBON BRUSH SET
1202	abcdefg	8	4931624234	SCREW
1203	abcdefg	9	4931624276	SCREW
1204	abcdefg	1	4931624237	SEAL RING
1205	abcdefg	1	4931392174	PROTECTING COVER
1206	abcdefg	1	4931341741	BALL BEARING
1207	abcdefg	1	4931398189	GROOVED BALL BEAR.
1208	abcdefg	4	4931624170	SEAL RING
1209	abcdefg	1	4931317212	RUBBER SLEEVE
1210	abcdefg	2	4931624156	SEAL RING
1211	abcdefg	1	4931624161	SEAL RING
1212	abcdefg	3	4931624155	SEAL RING
1213	abcdefg	2	4931624158	SEAL RING
1214	abcdefg	2	4931624157	SEAL RING
1215	abcdefg	1	4931624153	SPRING RING
1216	abcdefg	1	4931375506	GASKET
1217	abcdefg	1	4931375508	FELT
1218	abcdefg	6	4931603515	SEALING WASHER

Repairs/modification and testing of electric power tools are to be carried out by specialists. The safety regulations according to DIN/VDE/CEE/AFNOR and other regulations valid in the different countries are to be observed.