



# A & M Electric Tools

Ind	Product No.	Type	Voltage	Country
a	4000375711	950S	220-240V	IN2
b	4000375721	900S	220-240V	IN2
c	4000375753	950S	110V	GB1
d	4000375757	900S	110V	GB1
e	4000375793	950S	220-240V	AUS
f	4000375797	900S	220-240V	AUS
g	4000405366	950S	220-240V	I

# Rotary Hammers

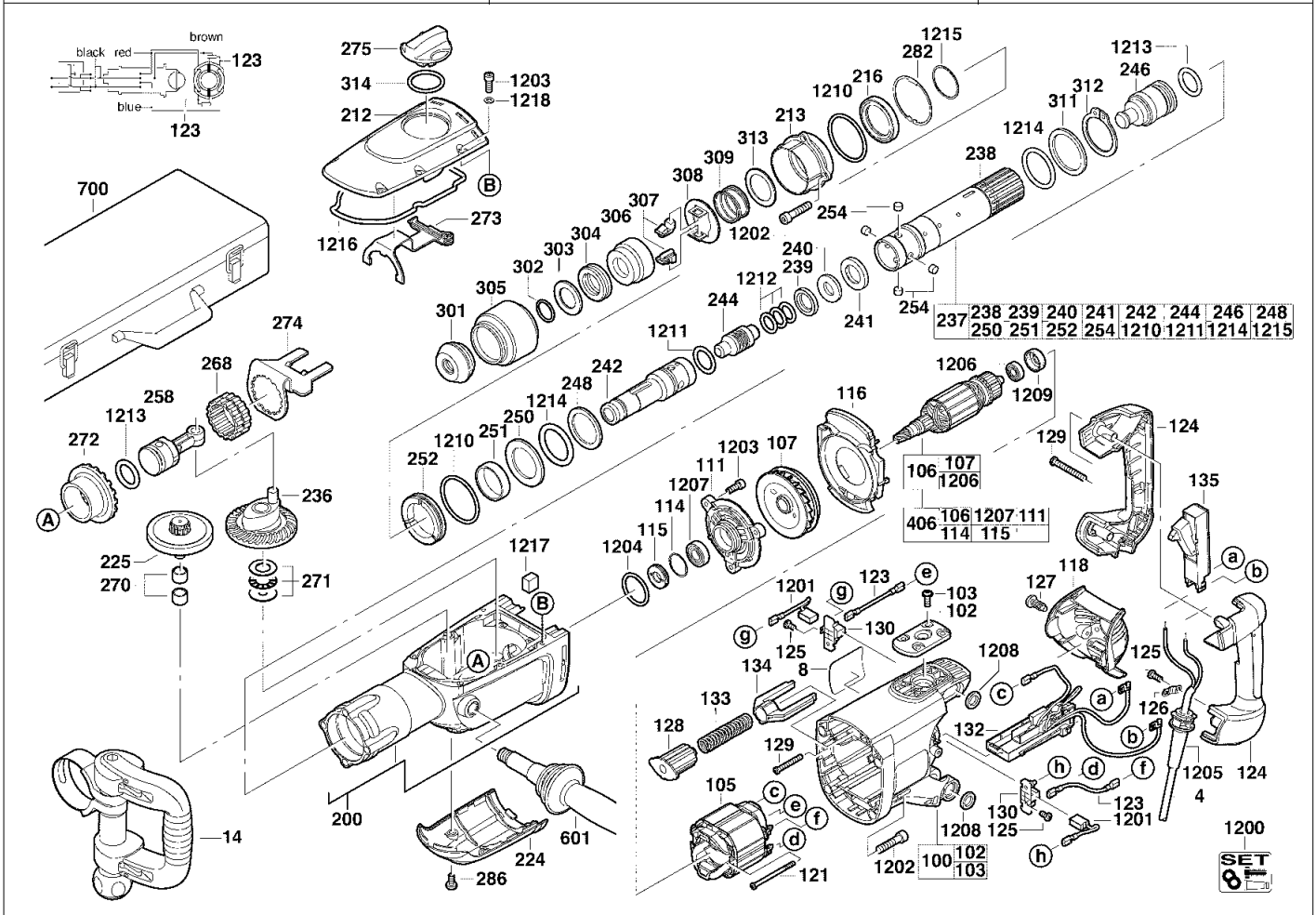
Milwaukee

900 S

950 S

Exp.view No.      Version      Date      Page

4926 3757 14      0004      13.09.07      2/3



Pos	Index	Quanti	Article No.	Designation
0213	abcdefg.....	1	4931375569	SEAL RETAINER
0216	abcdefg.....	1	4931624205	SEAL RING
0224	abcdefg.....	1	4931375574	GEAR COVER
0225	a.c.e.g.....	1	4931375838	COUPLING
0236	abcdefg.....	1	4931375379	CRANK WHEEL
0237	abcdefg.....	1	4931375378	SPINDLE
0238	abcdefg.....	1	4931375776	SPINDLE SLEEVE
0239	abcdefg.....	1	4931375411	THRUST COLLAR
0240	abcdefg.....	1	4931375412	BACK-PRESSURE RING
0241	abcdefg.....	1	4931375777	ATTACHMENT RING
0242	abcdefg.....	1	4931375423	DRIVER
0244	abcdefg.....	1	4931375573	SNAP DIE
0246	abcdefg.....	1	4931375782	PERCUSSION BODY
0248	abcdefg.....	1	4931375416	ATTACHMENT RING
0250	abcdefg.....	1	4931375418	WASHER
0251	abcdefg.....	1	4931375419	BALL RACE
0252	abcdefg.....	1	4931375420	THRUST COLLAR
0254	abcdefg.....	4	4931375787	DRIVER
0258	abcdefg.....	1	4931375380	PISTON COMPL.
0268	abcdefg.....	1	4931396199	SET COLLAR
0270	a.c.e.g.....	2	4931621847	NEEDLE BEARING
0271	abcdefg.....	1	4931375400	THRUST BEARING

Pos	Index	Quanti	Article No.	Designation
0272	a.c.e.g.....	1	4931375553	SPINDLE BEVEL GEAR
0273	abcdefg.....	1	4931375583	ADJUSTING PLATE
0274	abcdefg.....	1	4931375401	LOCKING PLATE
0275	abcdefg.....	1	4931375546	LEVER
0282	abcdefg.....	1	4931624235	RETAINING RING
0286	abcdefg.....	2	4931624236	SCREW
0301	abcdefg.....	1	9170350243	END COVER CAP
0302	abcdefg.....	1	9170319040	SPRING RING
0303	abcdefg.....	1	4931374974	DAMPING ELEMENT
0304	abcdefg.....	1	4931375775	DAMPING RING
0305	abcdefg.....	1	9170316570	SLEEVE
0306	abcdefg.....	1	4931375774	INTERLOCK SLEEVE
0307	abcdefg.....	2	4931375769	INTERLOCK ELEMENT
0308	abcdefg.....	1	4931375770	INTERLOCK PLATE
0309	abcdefg.....	1	4931375594	PRESSURE SPRING
0311	.b.d.f.....	1	4931375509	ATTACHMENT RING
0312	.b.d.f.....	1	4931624203	RETAINING RING
0313	abcdefg.....	1	4931375595	DISC
0314	abcdefg.....	1	4931622166	O-RING
0406	ab..efg.....	1	4931375526	ARMATURE
0406	..cd.....	1	4931375568	ARMATURE
0601	abcdefg.....	1	4931375516	HANDLE

Repairs/modification and testing of electric power tools are to be carried out by specialists. The safety regulations according to DIN/VDE/CEE/AFNOR and other regulations valid in the different countries are to be observed.

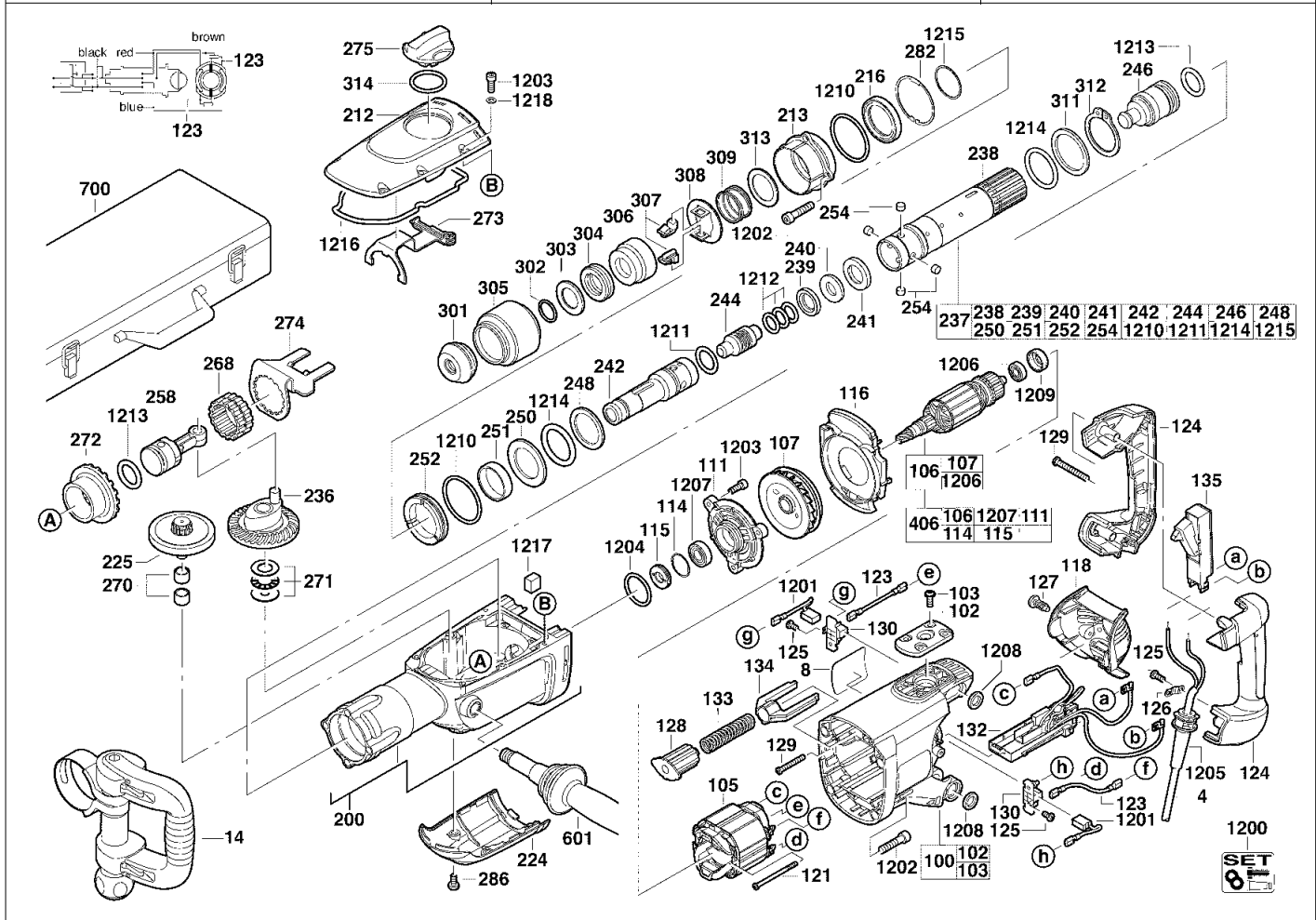
# A & M Electric Tools

# Rotary Hammers

Ind	Product No.	Type	Voltage	Country
a	4000375711	950S	220-240V	IN2
b	4000375721	900S	220-240V	IN2
c	4000375753	950S	110V	GB1
d	4000375757	900S	110V	GB1
e	4000375793	950S	220-240V	AUS
f	4000375797	900S	220-240V	AUS
g	4000405366	950S	220-240V	I

Ind	Product No.	Type	Voltage	Country

Milwaukee	
<b>900 S</b>	
<b>950 S</b>	
Exp.view No.	Version Date Page
<b>4926 3757 14</b>	<b>0004 13.09.07 3/3</b>



Pos	Index	Quanti	Article No.	Designation
0700	abcdefg	1	4931375502	CARRYING CASE
1200	abcdefg	1	4931375659	MAINTENANCE SET
1201	abcdefg	1	4931375556	CARBON BRUSH SET
1202	abcdefg	8	4931624234	SCREW
1203	abcdefg	9	4931624276	SCREW
1204	abcdefg	1	4931624237	SEAL RING
1205	abcdefg	1	4931392174	PROTECTING COVER
1206	abcdefg	1	4931341741	BALL BEARING
1207	abcdefg	1	4931398189	GROOVED BALL BEAR.
1208	abcdefg	4	4931624170	SEAL RING
1209	abcdefg	1	4931317212	RUBBER SLEEVE
1210	abcdefg	2	4931624156	SEAL RING
1211	abcdefg	1	4931624161	SEAL RING
1212	abcdefg	3	4931624155	SEAL RING
1213	abcdefg	2	4931624158	SEAL RING
1214	abcdefg	2	4931624157	SEAL RING
1215	abcdefg	1	4931624153	SPRING RING
1216	abcdefg	1	4931375506	GASKET
1217	abcdefg	1	4931375508	FELT
1218	abcdefg	6	4931603515	SEALING WASHER

Pos	Index	Quanti	Article No.	Designation

Repairs/modification and testing of electric power tools are to be carried out by specialists. The safety regulations according to DIN/VDE/CEE/AFNOR and other regulations valid in the different countries are to be observed.