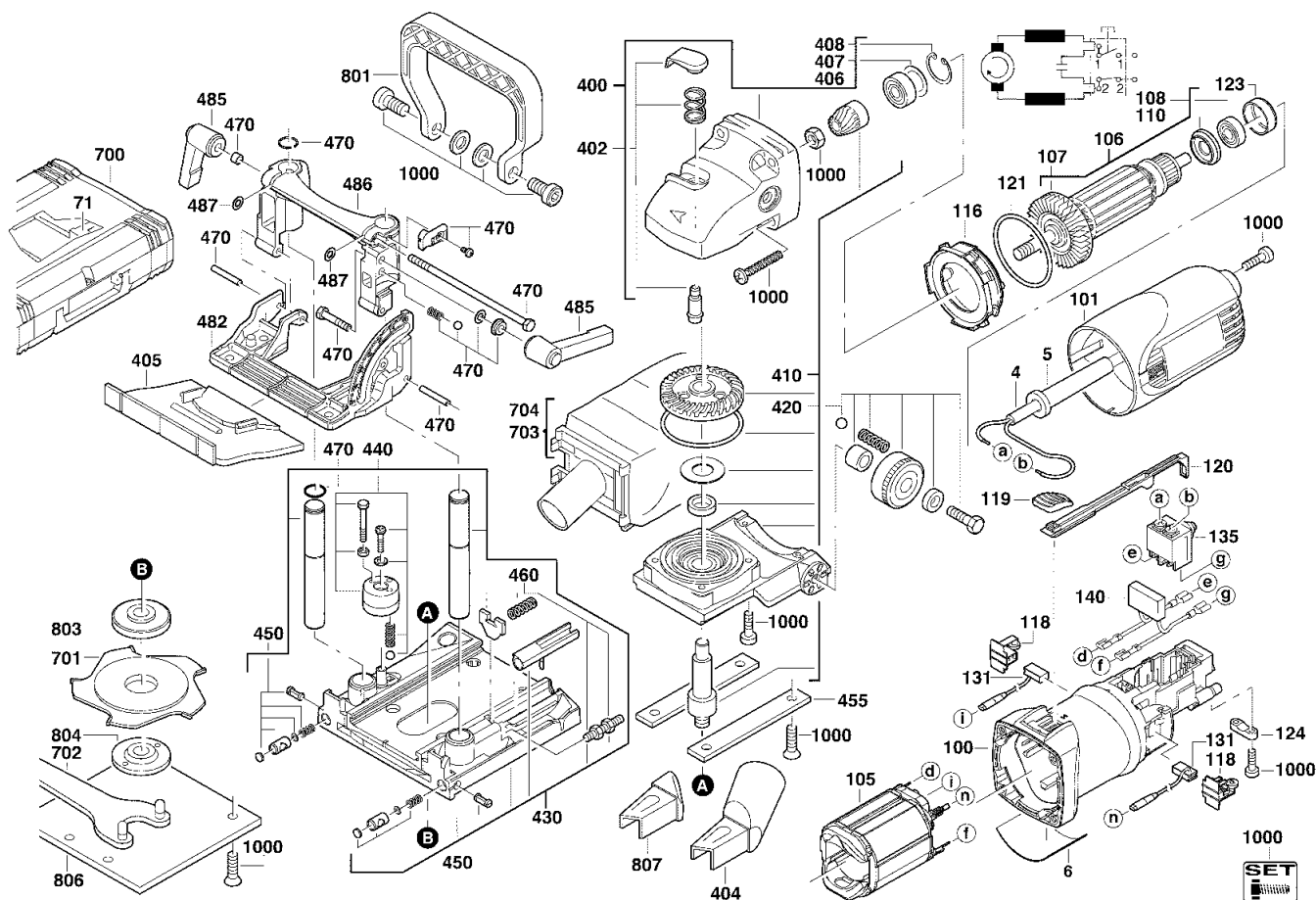


# A & M Electric Tools

Ind Product No. Type Voltage Country  
 a 4000403310 PJ710 220-230V IN2

# Various tools

Milwaukee  
**PJ 710**  
 Exp.view No. Version Date Page  
**4926 4033 12 0003 24.04.07 1/2**



Pos	Index	Quanti	Article No.	Designation	Pos	Index	Quanti	Article No.	Designation
0004	a.....	1	4931624121	CONNECTION CABLE	0402	a.....	1	4931358685	LOCK COMPLETE
0005	a.....	1	4931206687	CABLE ENTRY SLEEVE	0404	a.....	1	4931393918	SUCTION SLEEVE
0006	a.....	1	4931403315	RATING PLATE	0405	a.....	1	4931393919	STOP
0071	a.....	1	4931378701	INSERT	0406	a.....	1	4931624360	BALL BEARING
0100	a.....	1	4931403004	MOTOR HOUSING	0407	a.....	1	4931803914	SEALING WASHER
0101	a.....	1	4931403011	HOUSING CAP	0408	a.....	1	4931613683	LOCKING RING
0105	a.....	1	4931393550	ELECTRIC FIELD	0410	a.....	1	4931393929	DRIVE GEAR
0106	a.....	1	4931403212	ARMATURE	0420	a.....	1	4931361149	ADJUSTING BUTTON
0107	a.....	1	4931368347	FAN	0430	a.....	1	4931393930	BRACKET
0108	a.....	1	4931902888	BALL BEARING	0440	a.....	1	4931361146	STOP
0110	a.....	1	4931385658	INSULATING DISC	0450	a.....	1	4931393931	SLIPGUARD
0116	a.....	1	4931368332	AIR DEFLECTOR RING	0455	a.....	2	4931393921	PARALLEL GUIDE
0118	a.....	2	4931368633	BRUSH HOLDER	0460	a.....	1	4931361150	RESET DEVICE
0119	a.....	1	4931368501	SLIDER	0470	a.....	1	4931393932	INCIDENTAL SET
0120	a.....	1	4931368333	GUIDE PIECE	0482	a.....	1	4931393933	STOP
0121	a.....	1	4931623590	SEAL RING	0485	a.....	2	4931361155	LEVER
0123	a.....	1	4931368374	RUBBER SLEEVE	0486	a.....	1	4931393935	GUIDE
0124	a.....	1	4931256500	CABLE COLLAR	0487	a.....	2	4931403575	SPACER
0131	a.....	1	4931392612	CARBON BRUSH SET	0700	a.....	1	4932383162	CARRYING CASE
0135	a.....	1	4931391034	SWITCH	0701	a.....	1	4932361072	PARTING WHEEL
0140	a.....	1	4931391182	CAPACITOR	0702	a.....	1	4932345712	SPANNER
0400	a.....	1	4931368420	GEAR BOX	0703	a.....	1	4932361290	BAG RECEPTION

Repairs/modification and testing of electric power tools are to be carried out by specialists. The safety regulations according to DIN/VDE/CEE/AFNOR and other regulations valid in the different countries are to be observed.

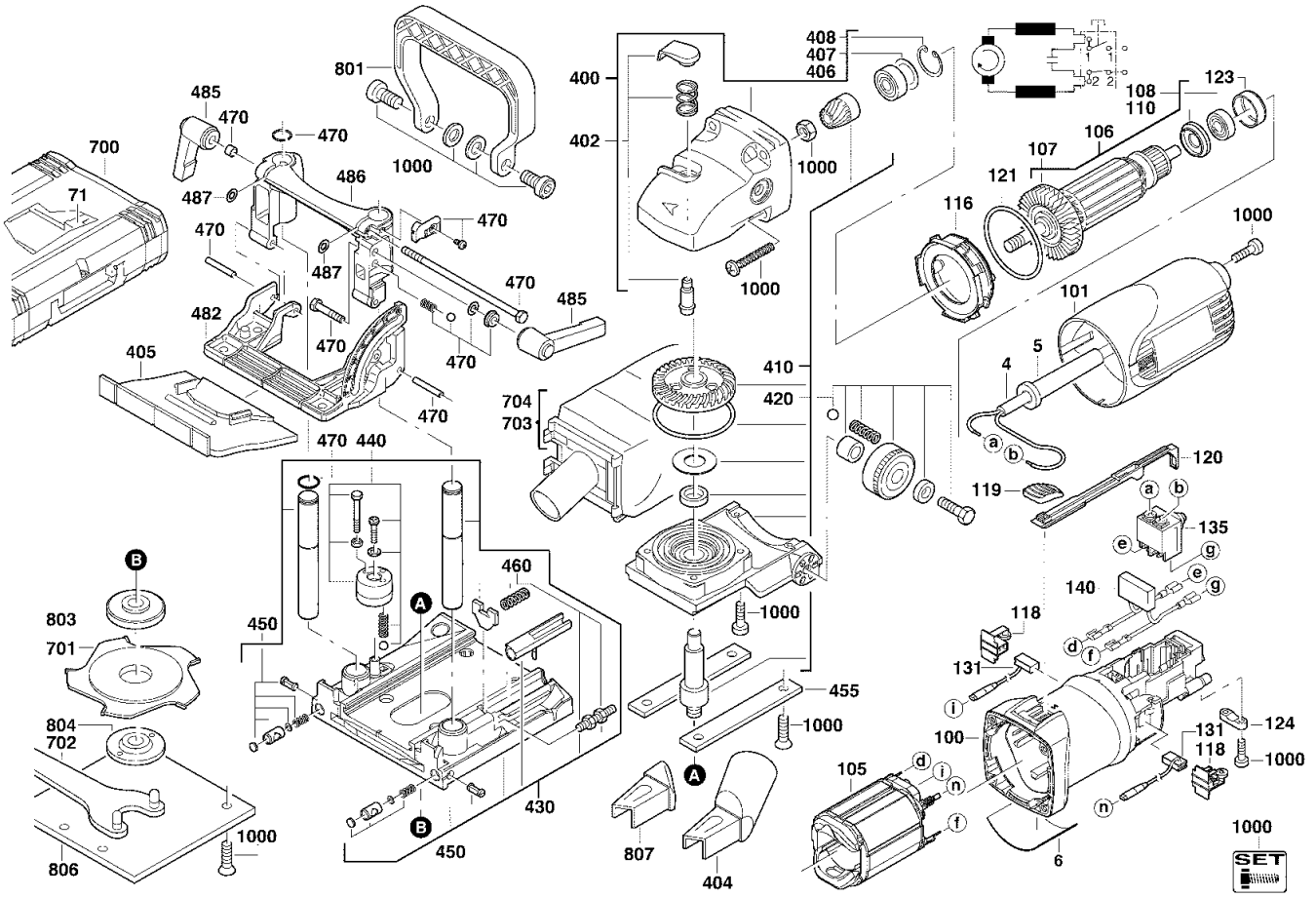
# A & M Electric Tools

# Various tools

Ind Product No. Type Voltage Country  
 a 4000403310 PJ710 220-230V IN2

Ind Product No. Type Voltage Country

Milwaukee  
**PJ 710**  
 Exp.view No. Version Date Page  
 4926 4033 12 0003 24.04.07 2/2



Pos	Index	Quanti	Article No.	Designation
0704	a.....	1	4932367596	PAPER BAG
0801	a.....	1	4931403545	HANDLE
0803	a.....	1	4931354876	CLAMPING FLANGE
0804	a.....	1	4931354877	NUT
0806	a.....	1	4931354878	GROUND PLATE
0807	a.....	1	4931393922	TUBE
1000	a.....	1	4931361157	SET

Pos	Index	Quanti	Article No.	Designation

Repairs/modification and testing of electric power tools are to be carried out by specialists. The safety regulations according to DIN/VDE/CEE/AFNOR and other regulations valid in the different countries are to be observed.