

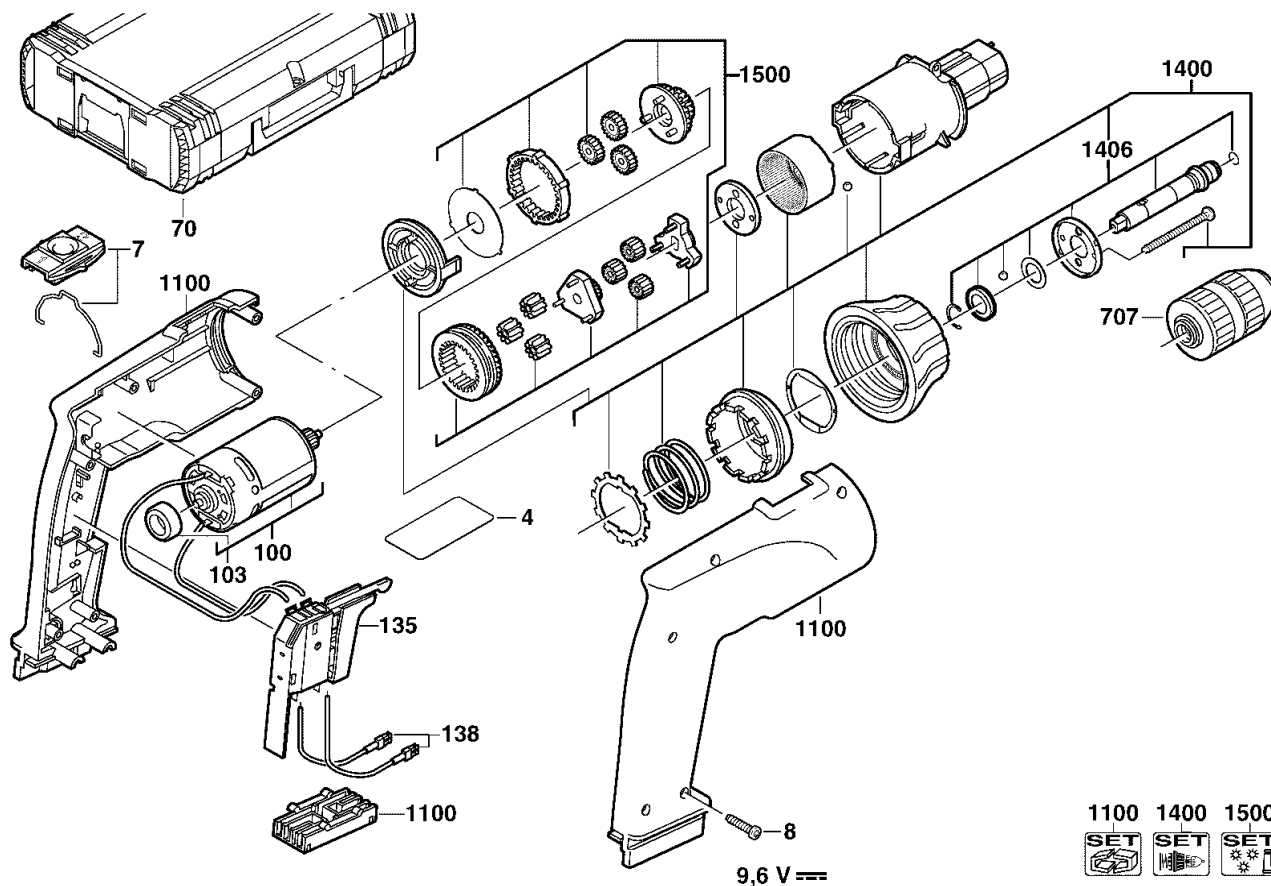
# A & M Electric Tools

# Battery Tools

Ind	Product No.	Type	Voltage	Country
a	4000386365	PES9.6	9,6V	***

Ind	Product No.	Type	Voltage	Country

Milwaukee			
PES9.6			
Exp.view No.	Version	Date	Page
4926 3863 67	0002	20.08.03	1/1



Pos	Index	Quanti	Article No.	Designation
0004	a.....	1	4931386373	RATING PLATE
0007	a.....	1	4931359614	SLIDING SWITCH
0008	a.....	5	4931622708	SCREW
0070	a.....	1	4932378986	CARRYING CASE
0100	a.....	1	4931356745	MOTOR
0103	a.....	1	4931353326	RUBBER SLEEVE
0135	a.....	1	4931386376	SWITCH BOARD
0138	a.....	1	4931356530	CABLE
0707	a.....	1	4932364613	KEYLESS CHUCK
1100	a.....	1	4931386377	BODY
1400	a.....	1	4931356741	HEAD
1406	a.....	1	4931356740	SPINDLE
1500	a.....	1	4931356744	GEAR BOX

Pos	Index	Quanti	Article No.	Designation

Repairs/modification and testing of electric power tools are to be carried out by specialists. The safety regulations according to DIN/VDE/CEE/AFNOR and other regulations valid in the different countries are to be observed.