

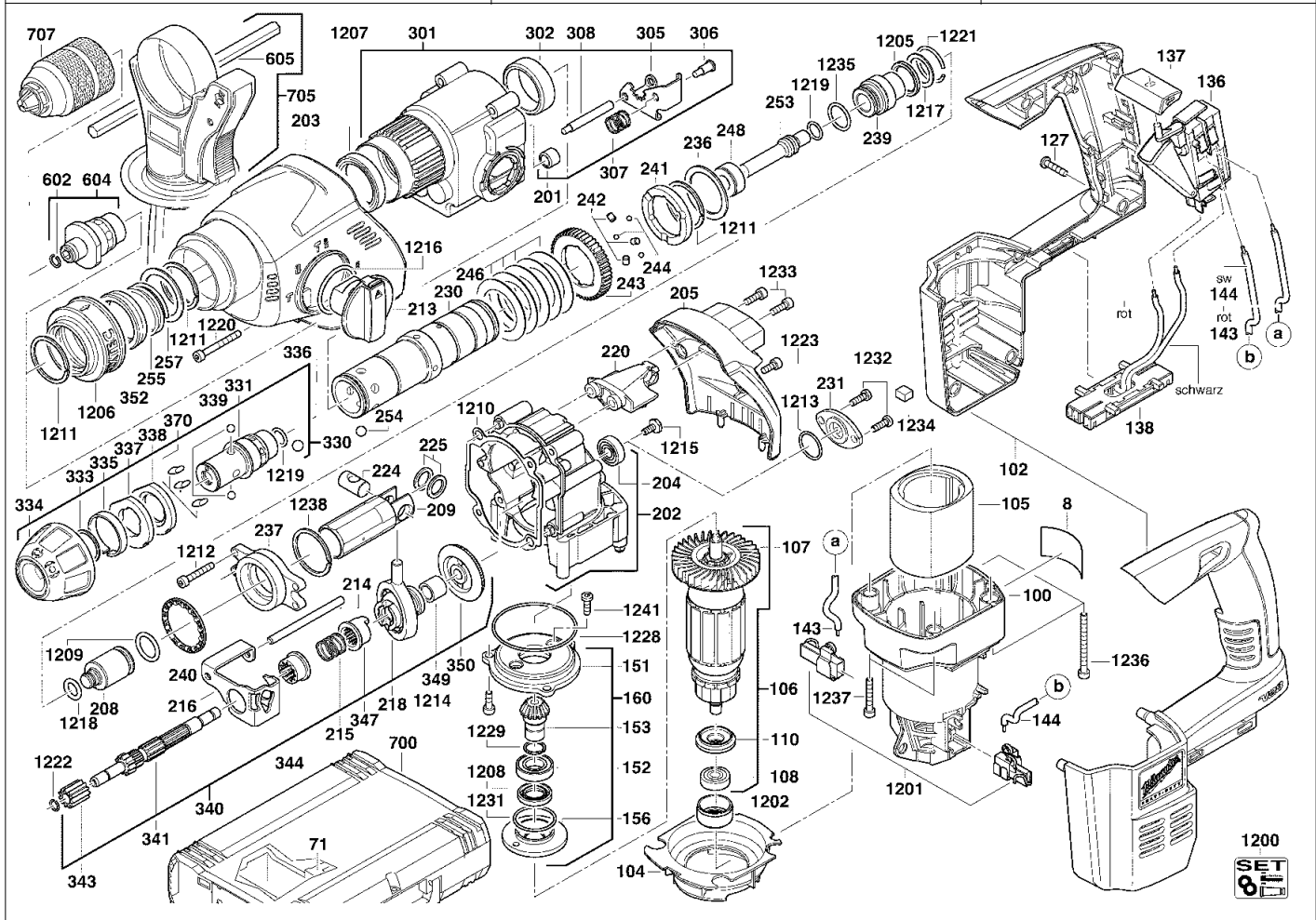
# A & M Electric Tools

# Battery Tools

Ind Product No.	Type	Voltage	Country
a 4000405948	V28HX	28V	***

Ind Product No.	Type	Voltage	Country

Milwaukee			
<b>V 28 HX</b>			
Exp.view No.	Version	Date	Page
4926 4059 97	0001	11.03.08	1/3



Pos	Index	Quanti	Article No.	Designation
0008	a.....	1	4931405950	RATING PLATE
0071	a.....	1	4931392424	INSERT
0100	a.....	1	4931392710	MOTOR HOUSING
0102	a.....	1	4931400409	HANDLE COMPL.
0104	a.....	1	4931392727	AIR DEFLECTOR RING
0105	a.....	1	4931392390	HOUSING
0106	a.....	1	4931392380	ARMATURE
0107	a.....	1	4931342793	FAN
0108	a.....	1	4931623951	BALL BEARING
0110	a.....	1	4931392383	INSULATING DISC
0127	a.....	7	4931624515	SCREW
0136	a.....	1	4931400353	SWITCH BOARD
0137	a.....	1	4931392715	LEVER
0138	a.....	1	4931396430	WIRE
0143	a.....	1	4931624571	WIRE
0144	a.....	1	4931624572	WIRE
0151	a.....	1	4931384626	BEARING END PLATE
0152	a.....	1	4931624278	BALL BEARING
0153	a.....	1	4931392419	PINION
0156	a.....	1	4931392742	BEARING COVER
0160	a.....	1	4931392418	BEARING END PLATE
0201	a.....	1	4931933756	NEEDLE BEARING

Pos	Index	Quanti	Article No.	Designation
0202	a.....	1	4931400877	GEAR BOX
0203	a.....	1	4931392716	GEAR BOX INSULATIO
0204	a.....	1	4931623951	BALL BEARING
0205	a.....	1	4931392717	GEAR COVER
0208	a.....	1	4931392376	PERCUSSION BODY
0209	a.....	1	4931392472	CYLINDER
0213	a.....	1	4931384621	SWITCH HANDLE
0214	a.....	1	4931624279	CYLINDER PIN
0215	a.....	1	4931365058	SPRING
0216	a.....	1	4931384617	SLIDING SWITCH
0218	a.....	1	4931365013	WOBBLE DRIVE
0220	a.....	1	4931392728	HOLDING DEVICE
0224	a.....	1	4931365056	CYLINDRICAL BOLT
0225	a.....	2	4931365112	DISC
0230	a.....	1	4931392735	SPINDEL GEAR SLEEV
0231	a.....	1	4931392461	BEARING COVER
0236	a.....	1	4931624426	WASHER
0237	a.....	1	4931392737	ENDPLATE
0239	a.....	1	4931384608	SLEEVE
0240	a.....	1	4931392736	SPINDLE BEARING
0241	a.....	1	4931392751	CLUTCH DISC
0242	a.....	3	4931365057	CYLINDRICAL BOLT

Repairs/modification and testing of electric power tools are to be carried out by specialists. The safety regulations according to DIN/VDE/CEE/AFNOR and other regulations valid in the different countries are to be observed.

# A & M Electric Tools

# Battery Tools

Ind Product No. Type  
a 4000405948 V28HX

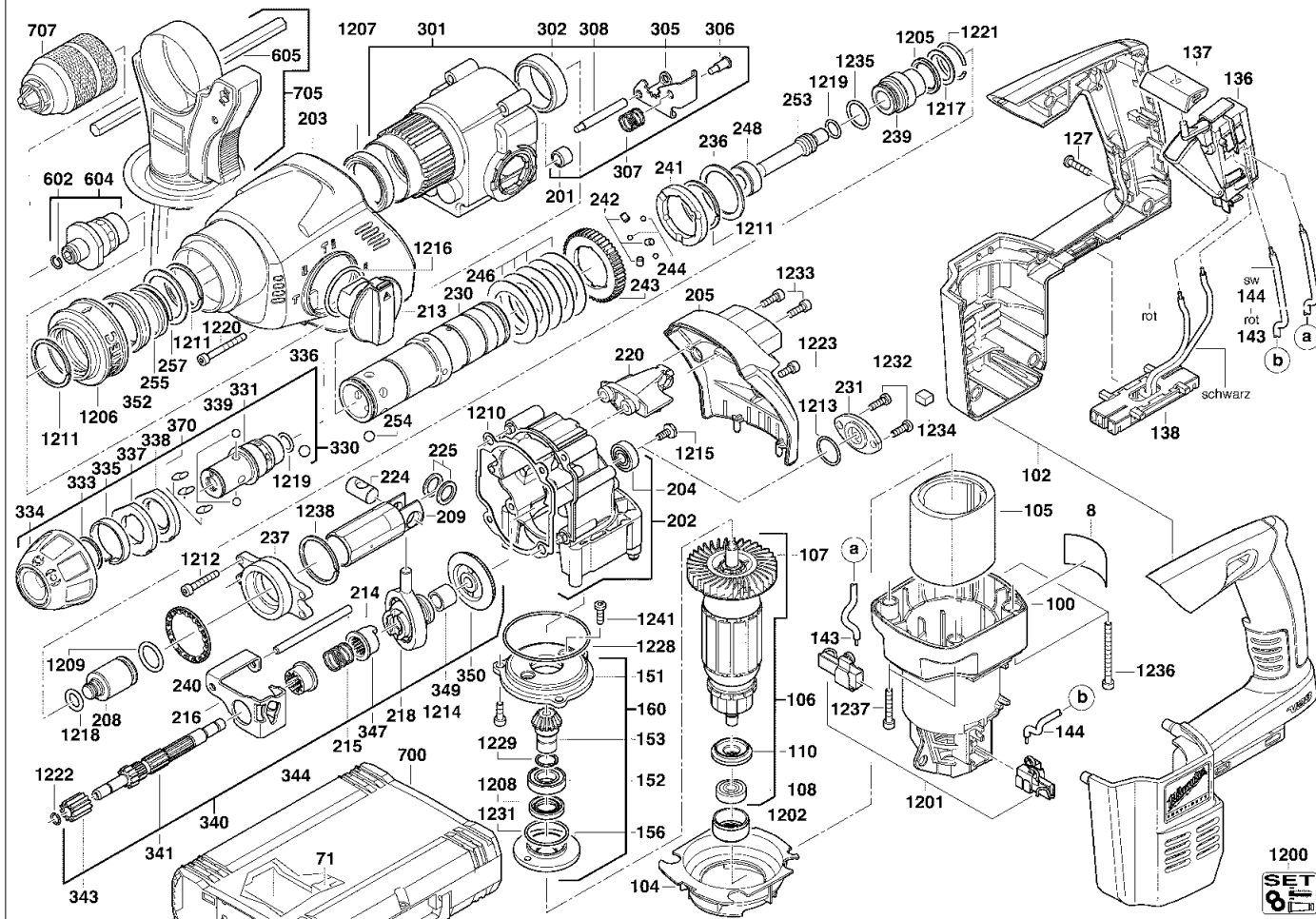
Voltage Country  
28V \*\*\*

Ind Product No. Type

Voltage Country

Milwaukee  
**V 28 HX**

Exp.view No. Version Date Page  
**4926 4059 97 0001 11.03.08 2/3**



Pos	Index	Quanti	Article No.	Designation	Pos	Index	Quanti	Article No.	Designation
0243	a.....	1	4931392489	SPINDLE GEAR	0339	a.....	2	4931805413	BALL
0244	a.....	3	4931944281	BALL	0340	a.....	1	4931392410	REDUCTION GEAR
0246	a.....	5	4931365066	CUP SPRING	0341	a.....	1	4931384610	REDUCT. GEAR SHAFT
0248	a.....	1	4931384607	STOP WASHER	0343	a.....	1	4931384611	GEAR
0253	a.....	1	4931384605	SNAP DIE	0344	a.....	1	4931375874	INTERN.GEARED WHE
0254	a.....	6	4931805437	BALL	0347	a.....	1	4931384691	COUPLING SLEEVE
0255	a.....	1	4931331754	PRESSURE SPRING	0349	a.....	1	4931384613	DISTANCE SLEEVE
0257	a.....	1	4931624257	WASHER	0350	a.....	1	4931392411	BEVEL GEAR
0301	a.....	1	4931392741	GEAR BOX	0352	a.....	1	4931392450	RING STOP
0302	a.....	1	4931621944	NEEDLE BEARING	0370	a.....	3	4931396400	HOLDING-DOWN DEVIC
0305	a.....	1	4931384618	LOCKING PLATE	0602	a.....	1	4931302074	SPRING
0306	a.....	1	4931384619	GUIDE BOLT	0604	a.....	1	4931392452	CHUCK ADAPTER
0307	a.....	1	4931384631	PRESSURE SPRING	0605	a.....	1	4931384434	DEPTH GAUGE
0308	a.....	1	4931384690	GUIDE BOLT	0700	a.....	1	4932383162	CARRYING CASE
0330	a.....	1	4931384684	ADAPTER	0705	a.....	1	4931392747	HANDLE
0331	a.....	1	4931392451	ADAPTER	0707	a.....	1	4932376531	QUICK ACTION CHUCK
0333	a.....	1	4931622874	SPRING RING	1200	a.....	1	4931400891	MAINTENANCE SET
0334	a.....	1	4931384681	SET SLEEVE	1201	a.....	1	4931392429	CARBON BRUSH SET
0335	a.....	1	4931321064	SPRING	1202	a.....	1	4931351729	RUBBER SLEEVE
0336	a.....	1	4931911572	BALL	1205	a.....	1	4931624391	SEAL RING
0337	a.....	1	4931343034	JUMPER RING	1206	a.....	1	4931392746	SLEEVE
0338	a.....	1	4931343057	SPACER	1207	a.....	1	4931624430	SEAL RING

Repairs/modification and testing of electric power tools are to be carried out by specialists. The safety regulations according to DIN/VDE/CEE/AFNOR and other regulations valid in the different countries are to be observed.

# A & M Electric Tools

# Battery Tools

Ind Product No. Type  
a 4000405948 V28HX

Voltage Country  
28V \*\*\*

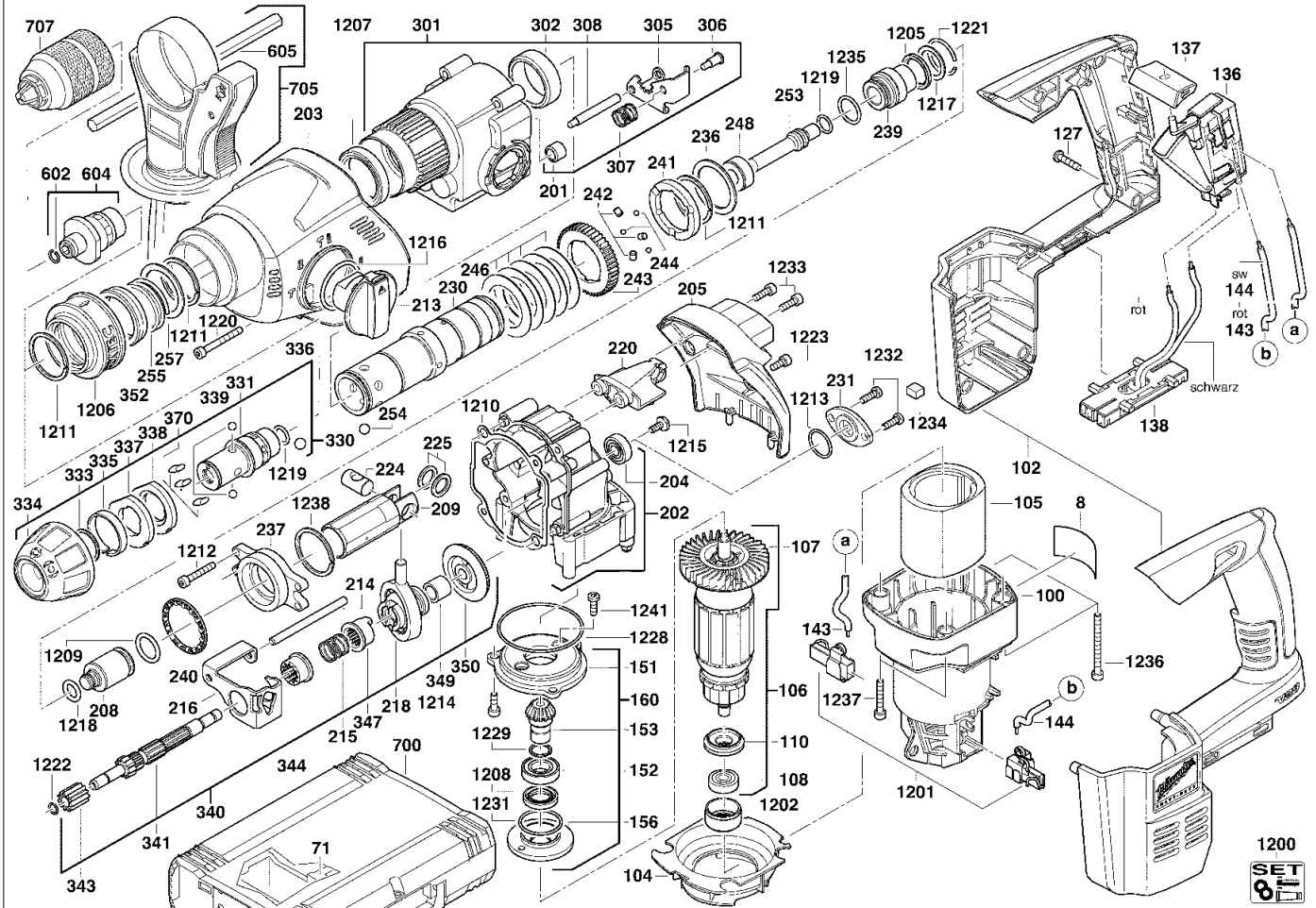
Ind Product No. Type

Voltage Country

Milwaukee  
**V 28 HX**

Exp.view No. Version Date Page

4926 4059 97 0001 11.03.08 3/3



Pos	Index	Quanti	Article No.	Designation
1208	a.....	1	4931624429	SEAL RING
1209	a.....	1	4931624533	SEAL RING
1210	a.....	1	4931375894	SEAL
1211	a.....	3	4931945764	SPRING RING
1212	a.....	4	4931624425	SCREW
1213	a.....	1	4931623912	SEAL RING
1214	a.....	3	4931624581	SCREW
1215	a.....	1	4931375897	SCREW
1216	a.....	1	4931624353	SEAL RING
1217	a.....	1	4931392464	THRUST COLLAR
1218	a.....	1	4931387380	O-RING
1219	a.....	2	4931624493	SEAL RING
1220	a.....	4	4931624583	SCREW
1221	a.....	1	4931623860	SPRING RING
1222	a.....	1	4931624260	SPRING RING
1223	a.....	2	4931624581	SCREW
1228	a.....	1	4931623198	O-RING
1229	a.....	1	4931622084	SPRING RING
1231	a.....	1	4931624351	SEAL RING
1232	a.....	2	4931621743	SCREW
1233	a.....	2	4931622315	SCREW
1234	a.....	1	4931375508	FELT

Pos	Index	Quanti	Article No.	Designation
1235	a.....	1	4931624381	O-RING
1236	a.....	2	4931624584	SCREW
1237	a.....	2	4931623886	SCREW
1238	a.....	1	4931624383	SPRING RING
1241	a.....	2	4931267225	SCREW

Repairs/modification and and testing of electric power tools are to be carried out by specialists. The safety regulations according to DIN/VDE/CEE/AFNOR and other regulations valid in the different countries are to be observed.