

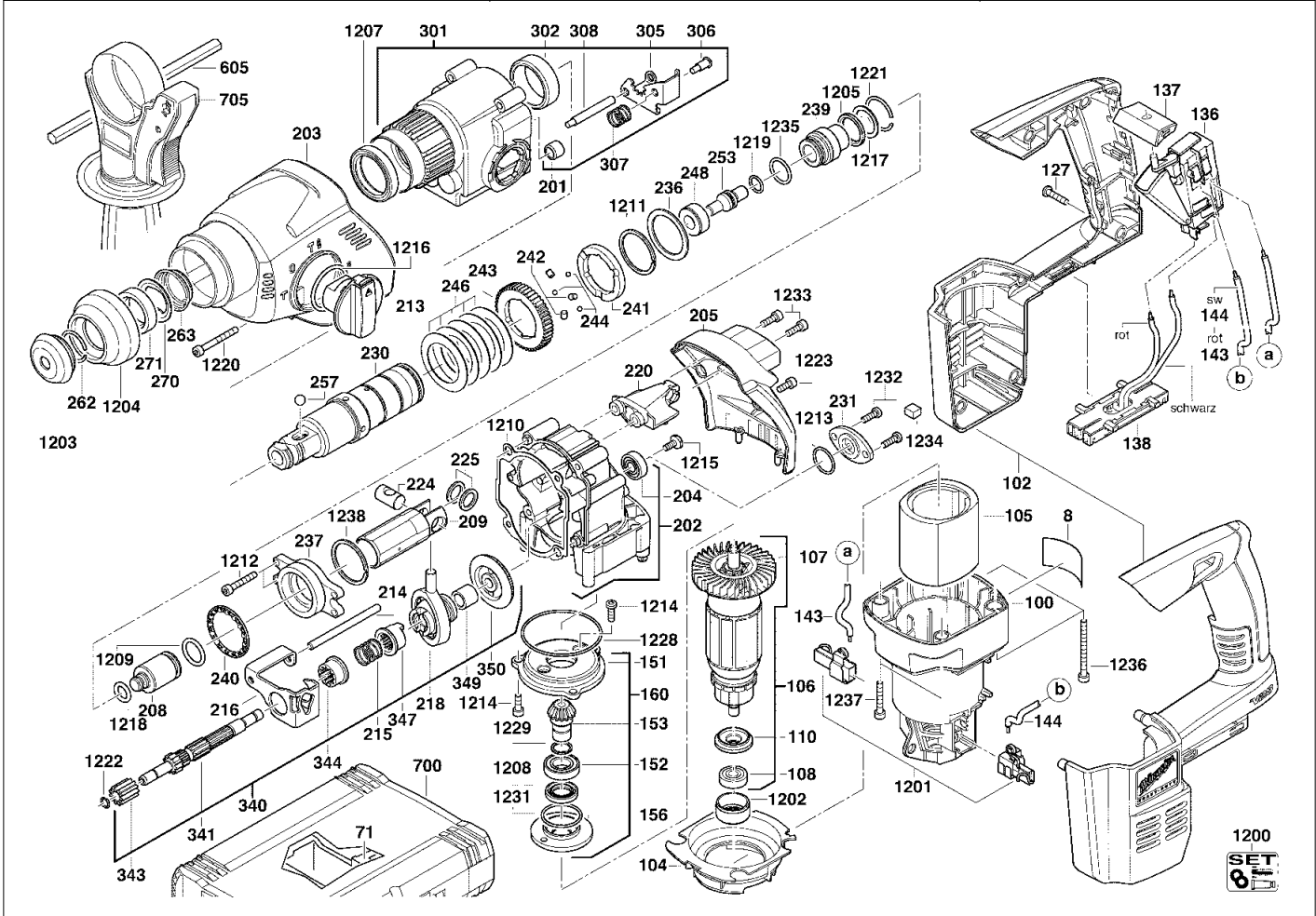
A & M Electric Tools

Screwdrivers

Ind Product No.	Type	Voltage	Country
a 4000392721	V28H	28V	IN2

Ind Product No.	Type	Voltage	Country

Milwaukee			
V 28 H			
Exp.view No.	Version	Date	Page
4926 3927 23	0007	20.11.07	1/3



Pos	Index	Quanti	Article No.	Designation	Pos	Index	Quanti	Article No.	Designation
0008	a.....	1	4931405475	RATING PLATE	0202	a.....	1	4931392739	GEAR BOX
0071	a.....	1	4931392424	INSERT	0203	a.....	1	4931392716	GEAR BOX INSULATIO
0100	a.....	1	4931392710	MOTOR HOUSING	0204	a.....	1	4931623951	BALL BEARING
0102	a.....	1	4931400409	HANDLE COMPL.	0205	a.....	1	4931392717	GEAR COVER
0104	a.....	1	4931392727	AIR DEFLECTOR RING	0208	a.....	1	4931392376	PERCUSSION BODY
0105	a.....	1	4931392390	HOUSING	0209	a.....	1	4931392472	CYLINDER
0106	a.....	1	4931392380	ARMATURE	0213	a.....	1	4931384621	SWITCH HANDLE
0107	a.....	1	4931342793	FAN	0214	a.....	1	4931624279	CYLINDER PIN
0108	a.....	1	4931623951	BALL BEARING	0215	a.....	1	4931365058	SPRING
0110	a.....	1	4931392383	INSULATING DISC	0216	a.....	1	4931384617	SLIDING SWITCH
0127	a.....	7	4931624515	SCREW	0218	a.....	1	4931365013	WOBBLE DRIVE
0136	a.....	1	4931400353	SWITCH BOARD	0220	a.....	1	4931392728	HOLDING DEVICE
0137	a.....	1	4931392715	LEVER	0224	a.....	1	4931365056	CYLINDRICAL BOLT
0138	a.....	1	4931396430	WIRE	0225	a.....	2	4931365112	DISC
0143	a.....	1	4931624571	WIRE	0230	a.....	1	4931392734	SPINDEL GEAR SLEEV
0144	a.....	1	4931624572	WIRE	0231	a.....	1	4931392461	BEARING COVER
0151	a.....	1	4931384626	BEARING END PLATE	0236	a.....	1	4931624426	WASHER
0152	a.....	1	4931624278	BALL BEARING	0237	a.....	1	4931392737	ENDPLATE
0153	a.....	1	4931392419	PINION	0239	a.....	1	4931384608	SLEEVE
0156	a.....	1	4931392742	BEARING COVER	0240	a.....	1	4931392736	SPINDLE BEARING
0160	a.....	1	4931392418	BEARING END PLATE	0241	a.....	1	4931392751	CLUTCH DISC
0201	a.....	1	4931933756	NEEDLE BEARING	0242	a.....	3	4931365057	CYLINDRICAL BOLT

Repairs/modification and testing of electric power tools are to be carried out by specialists. The safety regulations according to DIN/VDE/CEE/AFNOR and other regulations valid in the different countries are to be observed.

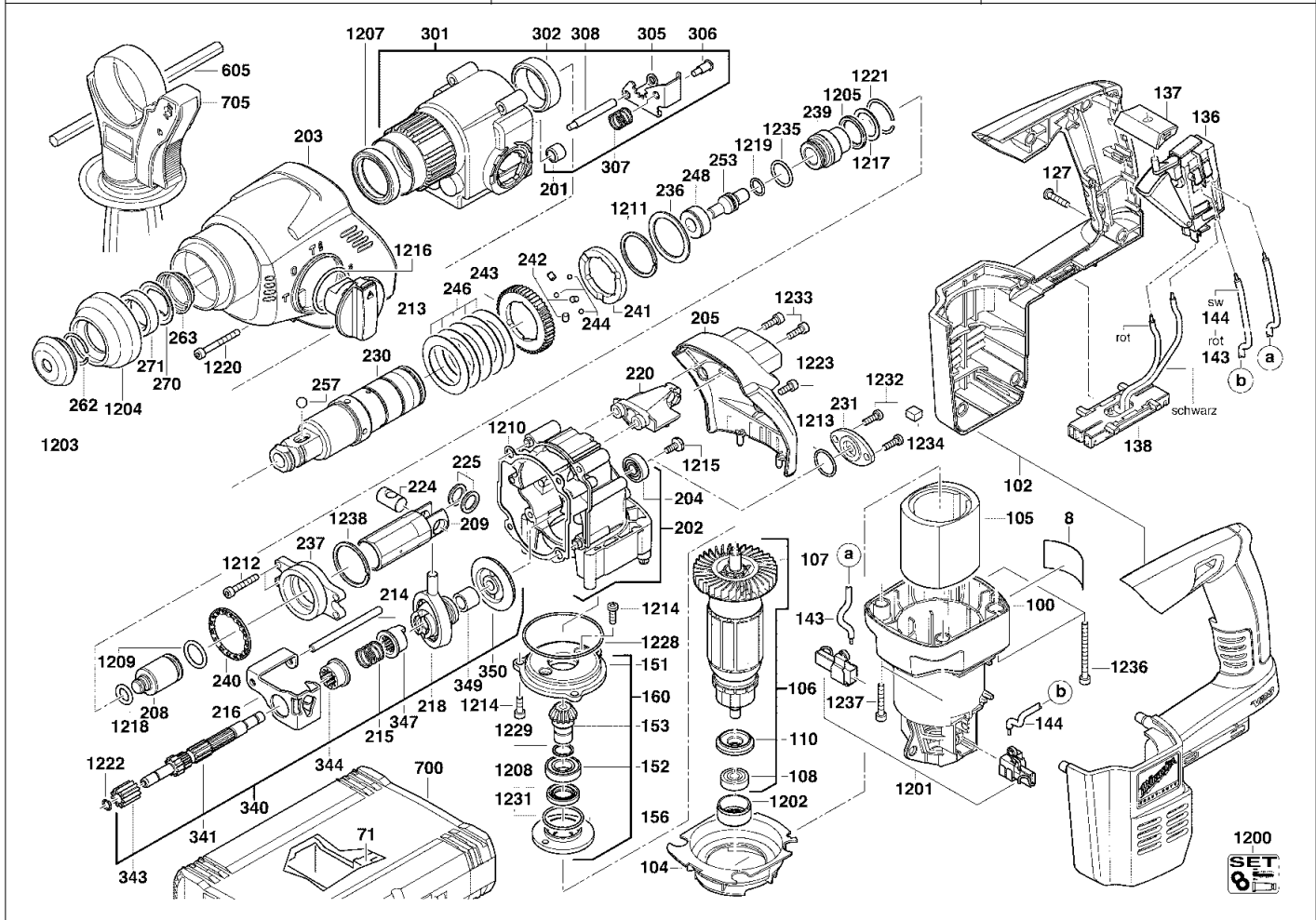
A & M Electric Tools

Screwdrivers

Ind Product No.	Type	Voltage	Country
a 4000392721	V28H	28V	IN2

Ind Product No.	Type	Voltage	Country

Milwaukee			
V 28 H			
Exp.view No.	Version	Date	Page
4926 3927 23	0007	20.11.07	2/3



Pos	Index	Quanti	Article No.	Designation
0243	a.....	1	4931392489	SPINDLE GEAR
0244	a.....	3	4931944281	BALL
0246	a.....	5	4931365066	CUP SPRING
0248	a.....	1	4931392465	STOP WASHER
0253	a.....	1	4931384606	SNAP DIE
0257	a.....	1	4931911572	BALL
0262	a.....	1	4931623220	SPRING RING
0263	a.....	1	4931343128	PRESSURE SPRING
0270	a.....	1	4931343127	SUPPORT PLATE
0271	a.....	1	4931384635	HOLDING RING
0301	a.....	1	4931392741	GEAR BOX
0302	a.....	1	4931621944	NEEDLE BEARING
0305	a.....	1	4931384618	LOCKING PLATE
0306	a.....	1	4931384619	GUIDE BOLT
0307	a.....	1	4931384631	PRESSURE SPRING
0308	a.....	1	4931384690	GUIDE BOLT
0340	a.....	1	4931392410	REDUCTION GEAR
0341	a.....	1	4931384610	REDUCT. GEAR SHAFT
0343	a.....	1	4931384611	GEAR
0344	a.....	1	4931375874	INTERN.GEARED WHE
0347	a.....	1	4931384691	COUPLING SLEEVE
0349	a.....	1	4931384613	DISTANCE SLEEVE

Pos	Index	Quanti	Article No.	Designation
0350	a.....	1	4931392411	BEVEL GEAR
0605	a.....	1	4931384434	DEPTH GAUGE
0700	a.....	1	4932383162	CARRYING CASE
0705	a.....	1	4931392747	HANDLE
1200	a.....	1	4931392731	MAINTENANCE SET
1201	a.....	1	4931392429	CARBON BRUSH SET
1202	a.....	1	4931351729	RUBBER SLEEVE
1203	a.....	1	4931384687	RUBBER CAP
1204	a.....	1	4931384634	SLEEVE
1205	a.....	1	4931624391	SEAL RING
1207	a.....	1	4931624430	SEAL RING
1208	a.....	1	4931624429	SEAL RING
1209	a.....	1	4931624533	SEAL RING
1210	a.....	1	4931375894	SEAL
1211	a.....	1	4931945764	SPRING RING
1212	a.....	4	4931624425	SCREW
1213	a.....	1	4931623912	SEAL RING
1214	a.....	5	4931267225	SCREW
1215	a.....	1	4931375897	SCREW
1216	a.....	1	4931624353	SEAL RING
1217	a.....	1	4931392464	THRUST COLLAR
1218	a.....	1	4931387380	O-RING

Repairs/modification and testing of electric power tools are to be carried out by specialists. The safety regulations according to DIN/VDE/CEE/AFNOR and other regulations valid in the different countries are to be observed.

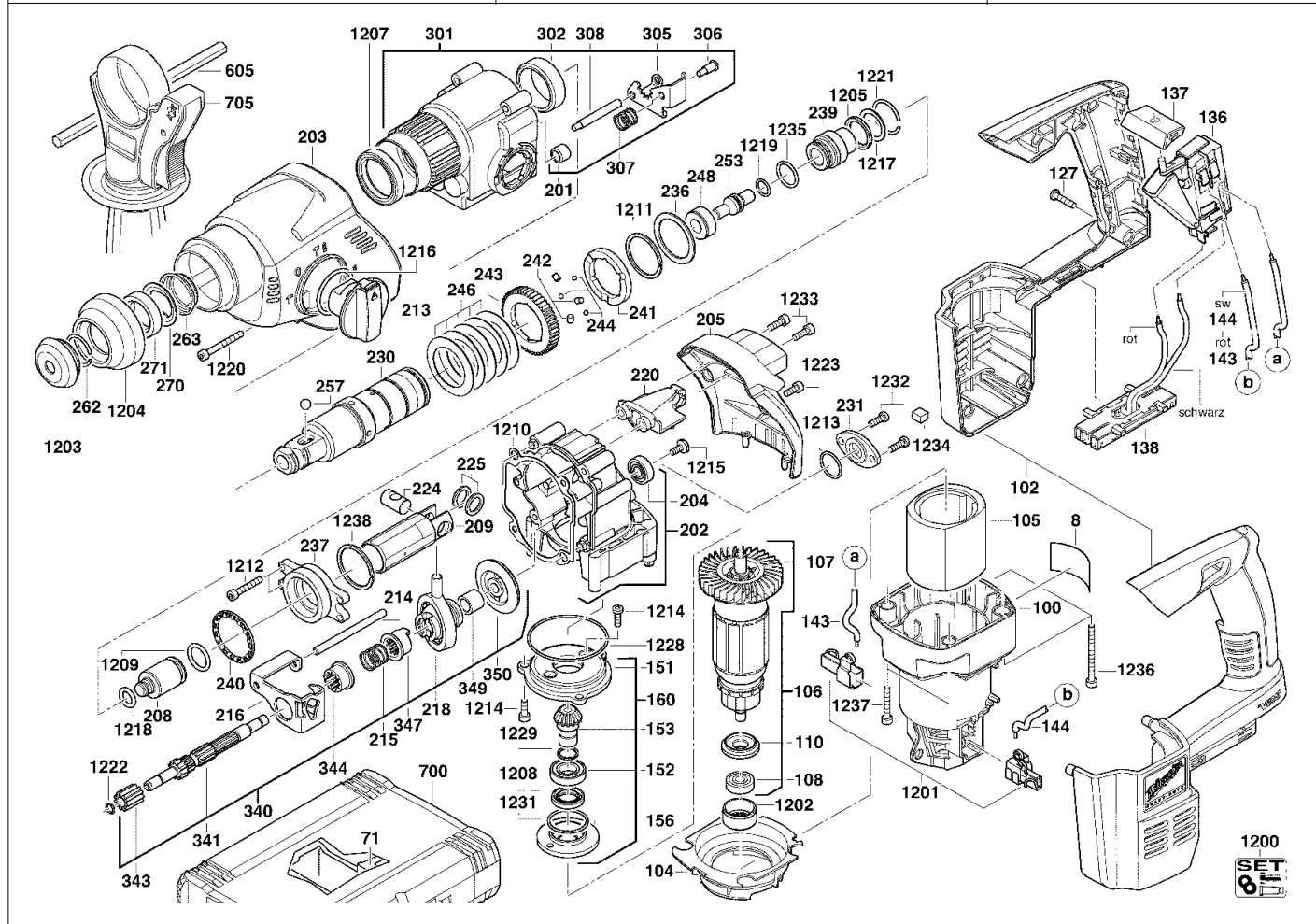
A & M Electric Tools

Screwdrivers

Ind Product No.	Type	Voltage	Country
a 4000392721	V28H	28V	IN2

Ind Product No.	Type	Voltage	Country

Milwaukee			
V 28 H			
Exp.view No.	Version	Date	Page
4926 3927 23	0007	20.11.07	3/3



Pos	Index	Quanti	Article No.	Designation
1219	a.....	1	4931624493	SEAL RING
1220	a.....	4	4931623521	SCREW
1221	a.....	1	4931623860	SPRING RING
1222	a.....	1	4931624260	SPRING RING
1223	a.....	2	4931621741	SCREW
1228	a.....	1	4931623198	O-RING
1229	a.....	1	4931622084	SPRING RING
1231	a.....	1	4931624351	SEAL RING
1232	a.....	2	4931621743	SCREW
1233	a.....	2	4931622315	SCREW
1234	a.....	1	4931375508	FELT
1235	a.....	1	4931624381	O-RING
1236	a.....	2	4931624409	SCREW
1237	a.....	2	4931623886	SCREW
1238	a.....	1	4931624383	SPRING RING

Pos	Index	Quanti	Article No.	Designation
1200				SET

Repairs/modification and testing of electric power tools are to be carried out by specialists. The safety regulations according to DIN/VDE/CEE/AFNOR and other regulations valid in the different countries are to be observed.