

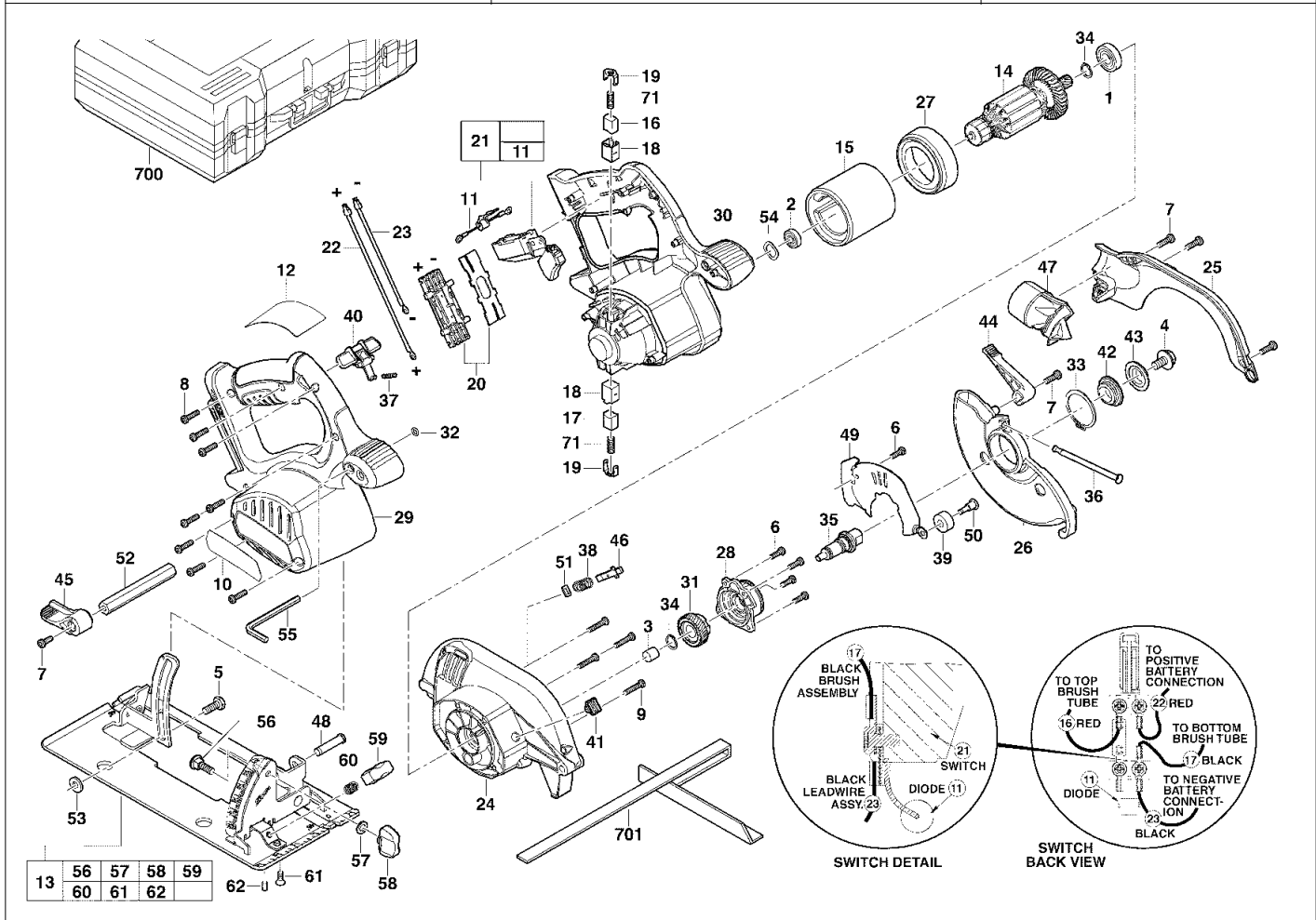
A & M Electric Tools

Battery Tools

Ind	Product No.	Type	Voltage	Country
a	4000393002	V28CS	28V	***

Ind	Product No.	Type	Voltage	Country

Milwaukee			
V 28 CS			
Exp.view No.	Version	Date	Page
4926 3930 03	0004	06.09.06	1/2



Pos	Index	Quanti	Article No.	Designation	Pos	Index	Quanti	Article No.	Designation
0001	a.....	1	02041212	BALL BEARING	0023	a.....	1	23944295	RELAY CABLE
0002	a.....	1	02045130	BALL BEARING	0024	a.....	1	28140746	GEAR CASE
0003	a.....	1	02501640	NEEDLE BEARING	0025	a.....	1	28201360	COVER
0004	a.....	1	06751010	SCREW	0026	a.....	1	28410955	GUARD
0005	a.....	1	06755860	SCREW	0027	a.....	1	31050350	AIR DEFLECTOR RING
0006	a.....	5	06825285	PIN	0028	a.....	1	31150601	COVER
0007	a.....	5	06825314	SCREW	0029	a.....	1	31442040	HANDLE RIGHT
0008	a.....	8	06827470	SCREW	0030	a.....	1	31442045	HANDLE LEFT
0009	a.....	4	06827475	SCREW	0031	a.....	1	32751310	GEAR
0010	a.....	1	10202840	LABEL	0032	a.....	1	34404480	O-RING
0011	a.....	1	22740510	RESISTOR	0033	a.....	1	34600860	THRUST COLLAR
0012	a.....	1	12201480	NAME PLATE	0034	a.....	2	34600920	RING
0013	a.....	1	14740315	SHOE	0035	a.....	1	38501160	SPINDLE
0014	a.....	1	16012125	ARMATURE	0036	a.....	1	40500045	SPRING
0015	a.....	1	18012000	ELECTRIC FIELD	0037	a.....	1	40500350	SPRING
0016	a.....	1	22181240	CARBON BRUSH SET	0038	a.....	1	40508040	PRESSURE SPRING
0017	a.....	1	22181245	CARBON BRUSH SET	0039	a.....	1	42380222	GUARD
0018	a.....	2	22200425	BRUSH HOLDER	0040	a.....	1	42421020	SWITCH
0019	a.....	2	22320420	SPRING	0041	a.....	1	42421030	PUSH-BUTTON
0020	a.....	1	22560975	CONNECTOR	0042	a.....	1	43340790	FLANGE
0021	a.....	1	23661005	SWITCH	0043	a.....	1	43340795	FLANGE
0022	a.....	1	23944290	RELAY CABLE	0044	a.....	1	44100420	STOP

Repairs/modification and testing of electric power tools are to be carried out by specialists. The safety regulations according to DIN/VDE/CEE/AFNOR and other regulations valid in the different countries are to be observed.

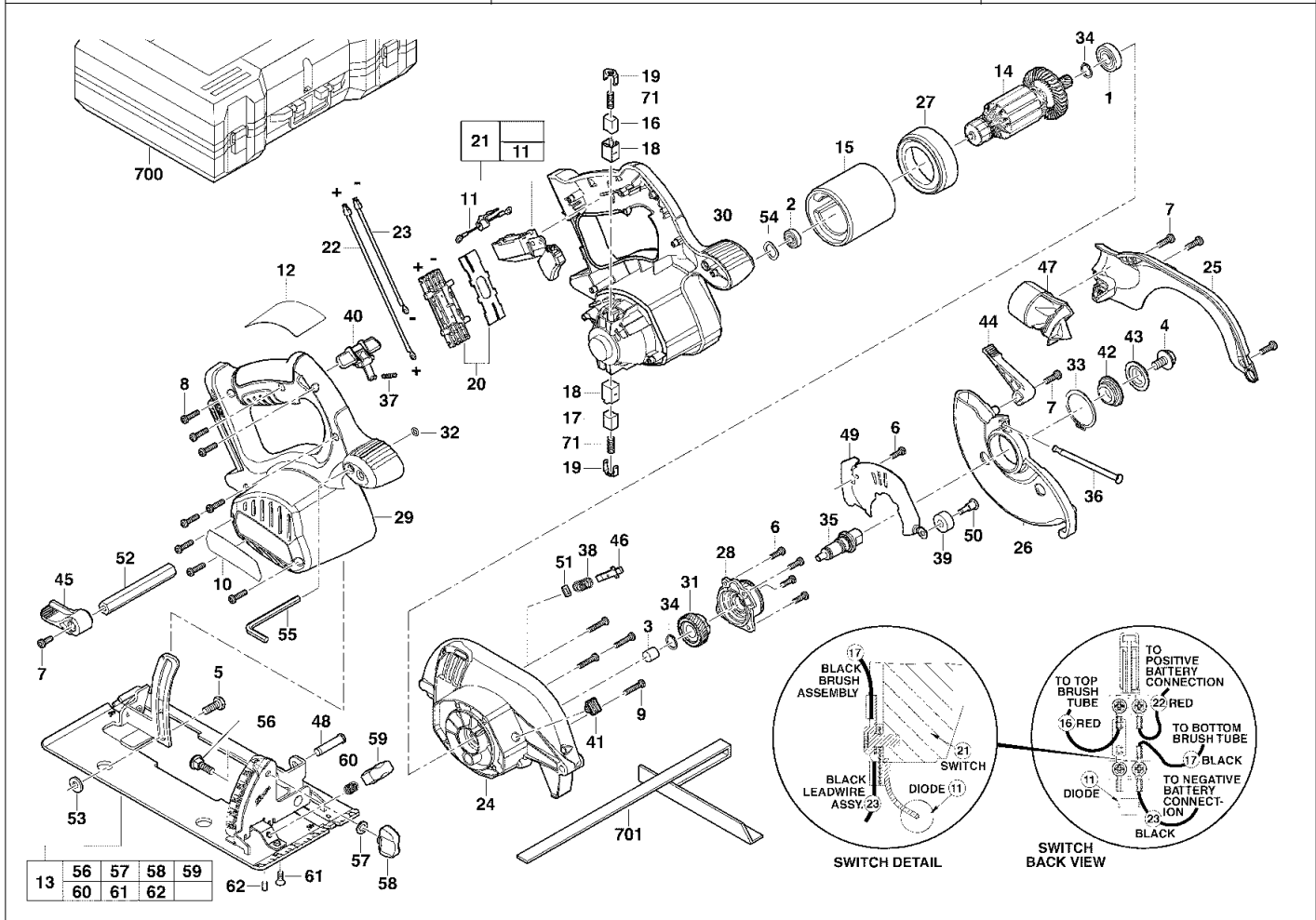
A & M Electric Tools

Battery Tools

Ind Product No.	Type	Voltage	Country
a 4000393002	V28CS	28V	***

Ind Product No.	Type	Voltage	Country

Milwaukee			
V 28 CS			
Exp.view No.	Version	Date	Page
4926 3930 03	0004	06.09.06	2/2



Pos	Index	Quanti	Article No.	Designation
0045	a.....	1	44100430	STOP
0046	a.....	1	44200650	SPINDLE
0047	a.....	1	31760100	DUST SEAL
0048	a.....	1	44600740	PIN
0049	a.....	1	44660560	LATCH PLATE
0050	a.....	1	45040485	SCREW
0051	a.....	1	45060720	FELT PACKING
0052	a.....	1	45080395	SHAFT
0053	a.....	1	45881545	WASHER
0054	a.....	1	45885615	WASHER
0055	a.....	1	49960080	WRENCH
0056	a.....	1	06100660	BOLT
0057	a.....	1	45881560	WASHER
0058	a.....	1	43980730	KNOB
0059	a.....	1	43980720	KNOB
0060	a.....	1	40500650	SPRING
0061	a.....	4	06829605	SCREW
0062	a.....	1	06831600	SCREW
0071	a.....	2	40508745	SPRING
0700	a.....	1	48551490	CARRYING CASE
0701	a.....	1	43300100	GUARD

Pos	Index	Quanti	Article No.	Designation

Repairs/modification and testing of electric power tools are to be carried out by specialists. The safety regulations according to DIN/VDE/CEE/AFNOR and other regulations valid in the different countries are to be observed.