

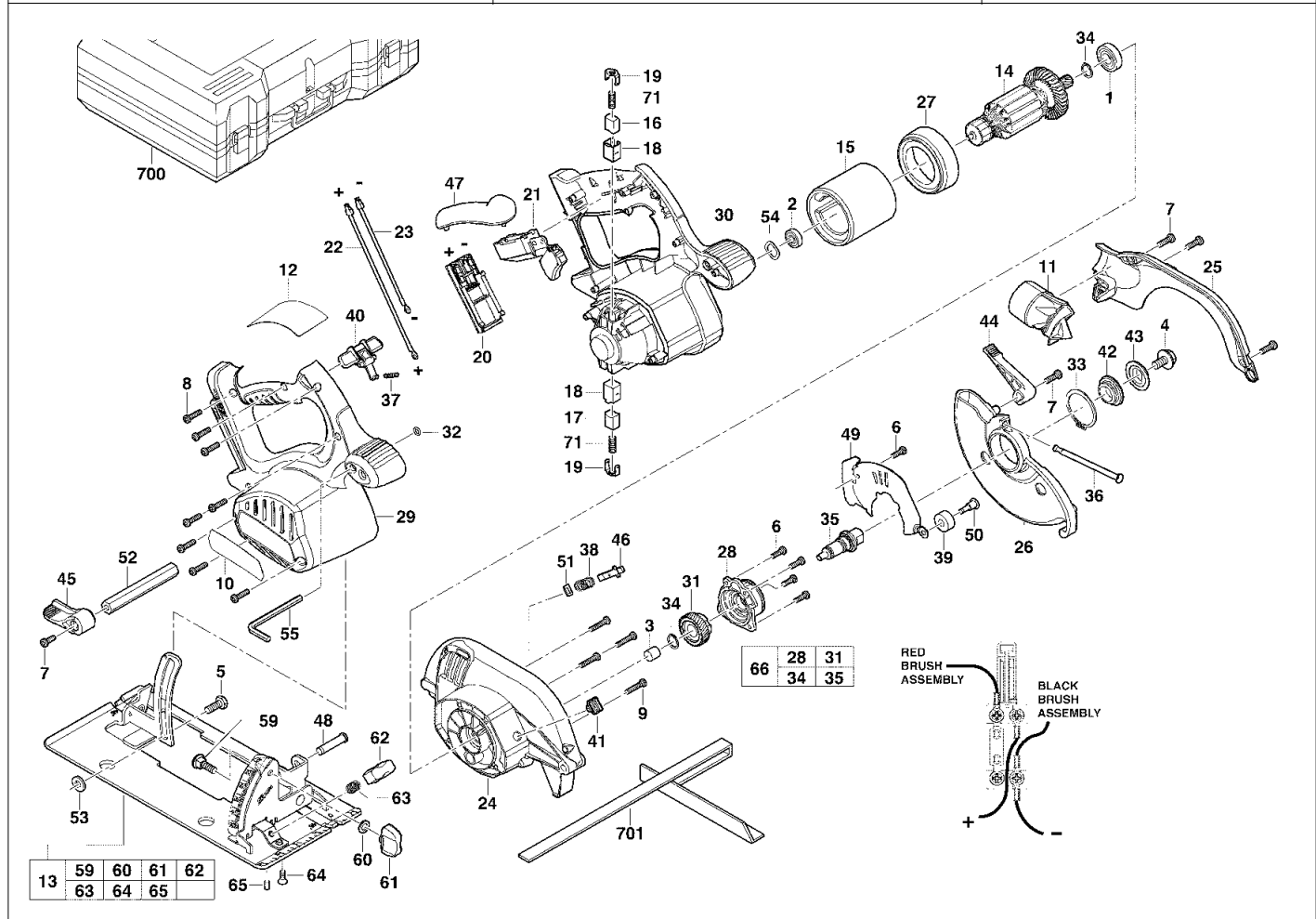
# A & M Electric Tools

# Battery Tools

Ind	Product No.	Type	Voltage	Country
a	4000401424	V18CS	18V	***

Ind	Product No.	Type	Voltage	Country

Milwaukee			
V 18 CS			
Exp.view No.	Version	Date	Page
4926 4014 26	0001	12.09.06	1/2



Pos	Index	Quanti	Article No.	Designation	Pos	Index	Quanti	Article No.	Designation
0001	a.....	1	02041212	BALL BEARING	0023	a.....	1	23944270	WIRE
0002	a.....	1	02045130	BALL BEARING	0024	a.....	1	28140746	GEAR CASE
0003	a.....	1	02501640	NEEDLE BEARING	0025	a.....	1	28201360	COVER
0004	a.....	1	06751010	SCREW	0026	a.....	1	28410955	GUARD
0005	a.....	1	06755860	SCREW	0027	a.....	1	31050350	AIR DEFLECTOR RING
0006	a.....	5	06825285	PIN	0028	a.....	1	31150601	COVER
0007	a.....	5	06825314	SCREW	0029	a.....	1	31441970	HANDLE RIGHT
0008	a.....	8	06827470	SCREW	0030	a.....	1	31441975	HANDLE LEFT
0009	a.....	4	06827475	SCREW	0031	a.....	1	32751370	SPINDLE GEAR
0010	a.....	1	10206310	LABEL	0032	a.....	1	34404480	O-RING
0011	a.....	1	31760100	DUST SEAL	0033	a.....	1	34600860	THRUST COLLAR
0012	a.....	1	12252071	NAME PLATE	0034	a.....	2	34600920	RING
0013	a.....	1	14740315	SHOE	0035	a.....	1	38501160	SPINDLE
0014	a.....	1	16012111	ARMATURE	0036	a.....	1	40500045	SPRING
0015	a.....	1	18012000	ELECTRIC FIELD	0037	a.....	1	40500350	SPRING
0016	a.....	1	22181120	BRUSH HOLDER COMP	0038	a.....	1	40508040	PRESSURE SPRING
0017	a.....	1	22181125	BRUSH HOLDER COMP	0039	a.....	1	42380222	GUARD
0018	a.....	2	22200425	BRUSH HOLDER	0040	a.....	1	42421020	SWITCH
0019	a.....	2	22320420	SPRING	0041	a.....	1	42421030	PUSH-BUTTON
0020	a.....	1	22560230	CONNECTION	0042	a.....	1	43340790	FLANGE
0021	a.....	1	23661000	SWITCH	0043	a.....	1	43340795	FLANGE
0022	a.....	1	23944260	WIRE	0044	a.....	1	44100420	STOP

Repairs/modification and testing of electric power tools are to be carried out by specialists. The safety regulations according to DIN/VDE/CEE/AFNOR and other regulations valid in the different countries are to be observed.

