

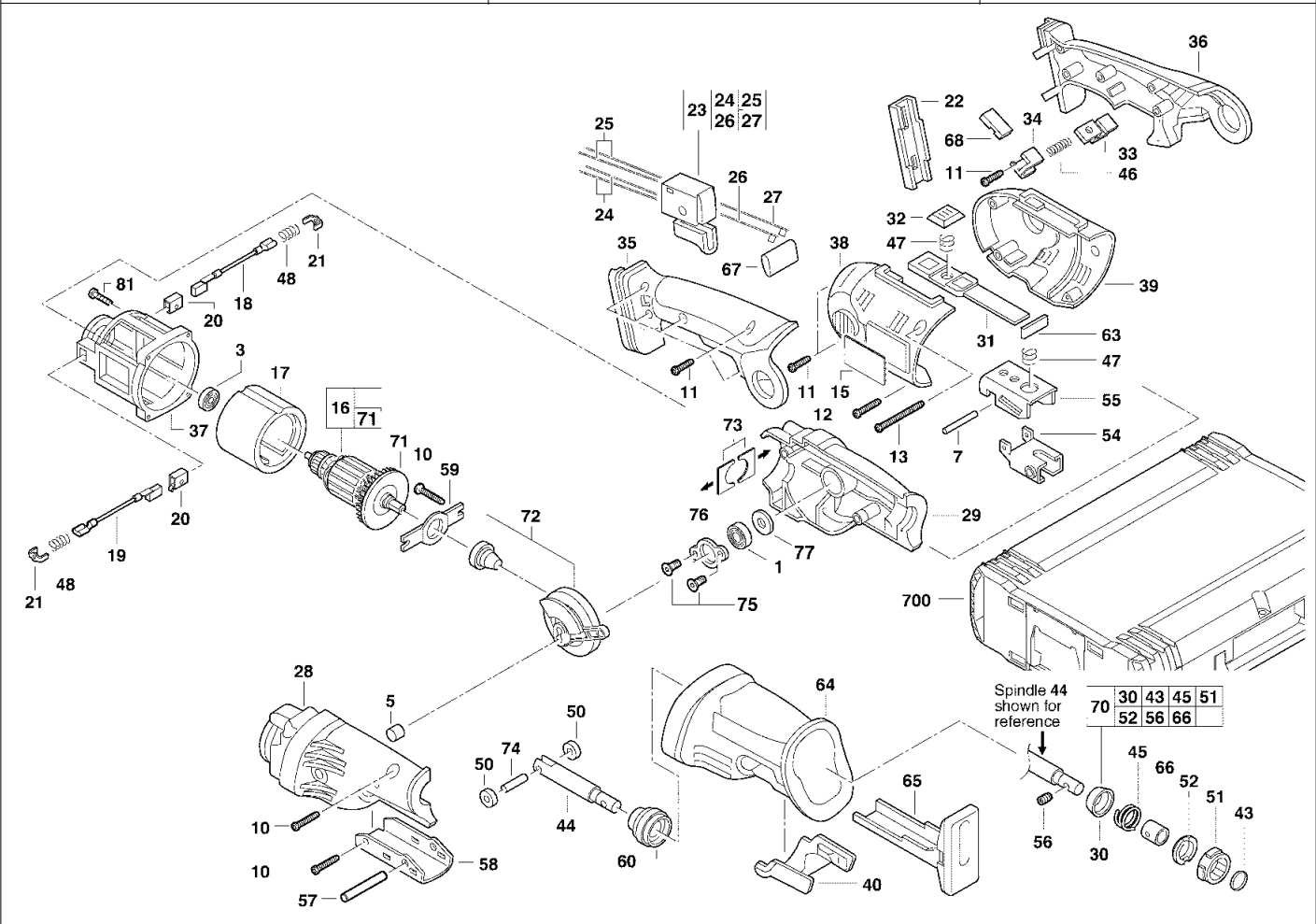
A & M Electric Tools

Battery Tools

Ind Product No.	Type	Voltage	Country
a 4000385809	PSH18	18V	***

Ind Product No.	Type	Voltage	Country

Milwaukee			
PSH 18			
Exp.view No.	Version	Date	Page
4926 3857 13	0006	16.01.07	1/2



Pos	Index	Quanti	Article No.	Designation	Pos	Index	Quanti	Article No.	Designation
0001	a.....	1	02040845	BALL BEARING	0029	a.....	1	28142906	CRANCASE-LEFT
0003	a.....	1	02045130	BALL BEARING	0030	a.....	1	31150511	CLAMPING RING
0005	a.....	1	02501640	NEEDLE BEARING	0031	a.....	1	31150625	COVER
0007	a.....	1	06653005	PIN	0032	a.....	1	31150626	BUTTON
0010	a.....	7	06825346	SCREW	0033	a.....	1	31151500	BUTTON
0011	a.....	8	06827261	SCREW	0034	a.....	1	31151505	BUTTON
0012	a.....	1	06827276	SCREW	0035	a.....	1	31442400	HANDLE RIGHT
0013	a.....	1	06827300	SCREW	0036	a.....	1	31442405	HANDLE LEFT
0015	a.....	1	12203390	NAME PLATE	0037	a.....	1	31500051	BEARING
0016	a.....	1	16011095	ARMATURE	0038	a.....	1	31500625	MOTOR HOUSING RIGH
0017	a.....	1	18010070	ELECTRIC FIELD	0039	a.....	1	31500626	MOTOR HOUSING LEFT
0018	a.....	1	22180995	CARBON BRUSH SET	0040	a.....	1	31520095	STOP
0019	a.....	1	22180997	CARBON BRUSH SET	0043	a.....	1	34603680	RING
0020	a.....	2	22200860	BRUSH HOLDER	0044	a.....	1	38506105	SPINDLE
0021	a.....	2	22320400	BRUSH HOLDER	0045	a.....	1	40500161	SPRING
0022	a.....	1	4931363797	INSERT	0046	a.....	1	40500760	SPRING
0023	a.....	1	23662349	SWITCH	0047	a.....	2	40500766	PROTECTION WASHER
0024	a.....	1	23943010	WIRE	0048	a.....	2	40508840	PRESSURE SPRING
0025	a.....	1	23943020	WIRE	0050	a.....	2	42401011	SPINDLE
0026	a.....	1	23943030	WIRE	0051	a.....	1	42500076	CLAMPING RING
0027	a.....	1	23943040	WIRE	0052	a.....	1	42500077	CLAMPING RING
0028	a.....	1	28142901	CRANCASE-RIGHT	0054	a.....	1	43560628	PLATE

Repairs/modification and testing of electric power tools are to be carried out by specialists. The safety regulations according to DIN/VDE/CEE/AFNOR and other regulations valid in the different countries are to be observed.

