

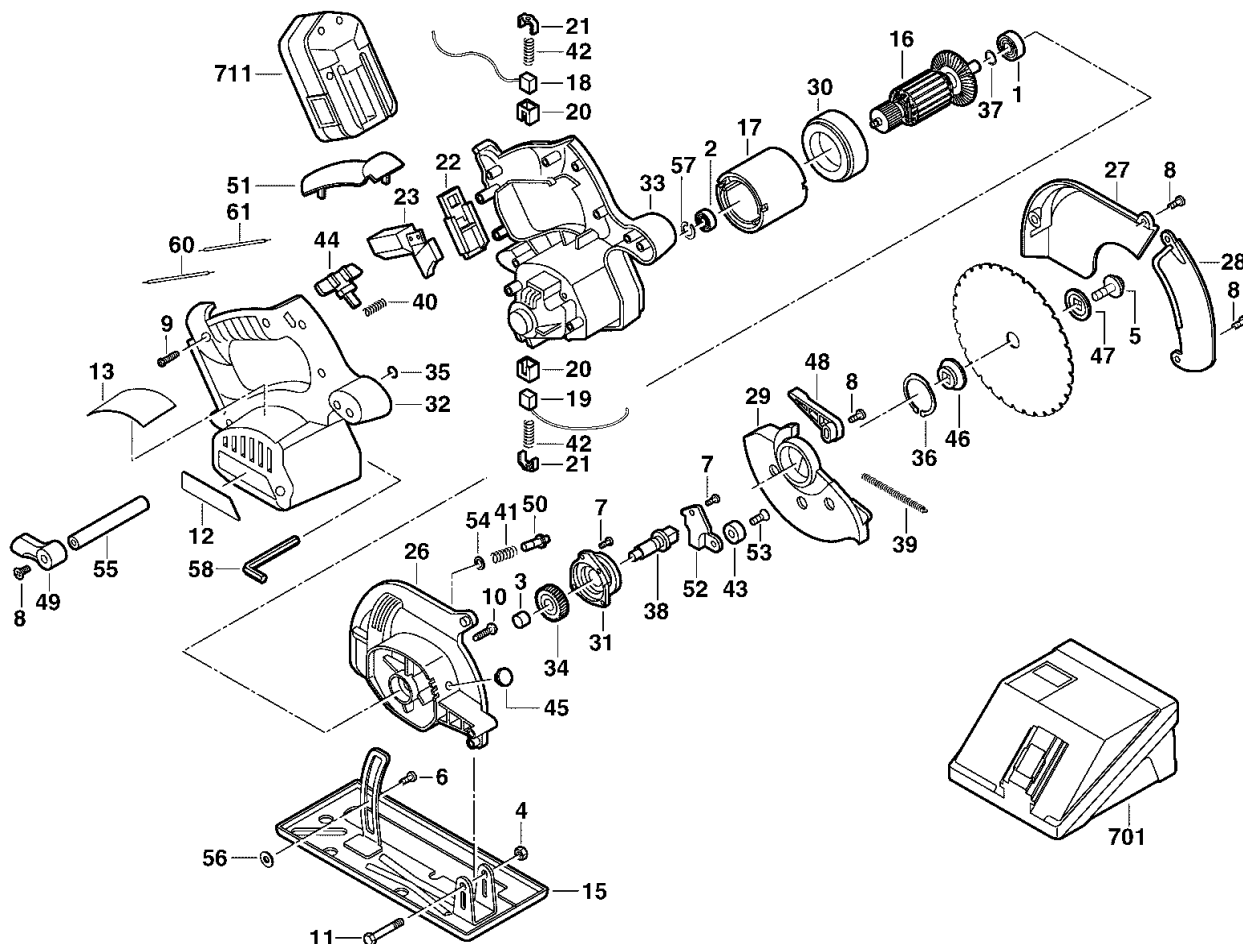
# A & M Electric Tools

Ind	Product No.	Type	Voltage	Country
a	4000385487	PMS18	18V	IN2
b	4000385487	PMS18	18V	AUS
c	4000385487	PMS18	18V	GB2

# Battery Tools

Milwaukee  
**PMS18**

Exp.view No.      Version    Date      Page  
**4926 3854 86    0003 09.12.02 1/2**



Pos	Index	Quanti	Article No.	Designation	Pos	Index	Quanti	Article No.	Designation
0001	abc.....	1	02041212	BALL BEARING	0026	abc.....	1	28140795	GEAR BOX HOUSING
0002	abc.....	1	02045130	BALL BEARING	0027	abc.....	1	28201172	COVER
0003	abc.....	1	02501640	NEEDLE BEARING	0028	abc.....	1	28410945	COVER
0004	abc.....	1	06571100	LOCK NUT	0029	abc.....	1	28410965	GUARD
0005	abc.....	1	06751010	SCREW	0030	abc.....	1	31050350	AIR DEFLECTOR RING
0006	abc.....	1	06755860	SCREW	0031	abc.....	1	31150601	COVER
0007	abc.....	5	06825285	PIN	0032	abc.....	1	31441970	HANDLE RIGHT
0008	abc.....	5	06825314	SCREW	0033	abc.....	1	31441975	HANDLE LEFT
0009	abc.....	8	06827470	SCREW	0034	abc.....	1	32751371	SPINDLE GEAR
0010	abc.....	4	06827475	SCREW	0035	abc.....	1	34404480	O-RING
0011	abc.....	1	06829685	CYLINDRICAL BOLT	0036	abc.....	1	34600860	THRUST COLLAR
0012	abc.....	1	10201850	LABEL	0037	abc.....	1	34600920	RING
0013	abc.....	1	12203410	TYPE PLATE	0038	abc.....	1	38501160	SPINDLE
0015	abc.....	1	14740325	SHOE	0039	abc.....	1	40500045	SPRING
0016	abc.....	1	16012001	ARMATURE	0040	abc.....	1	40500350	SPRING
0017	abc.....	1	18012000	ELECTRIC FIELD	0041	abc.....	1	40508040	PRESSURE SPRING
0018	abc.....	1	22181120	BRUSH HOLDER COMP	0042	abc.....	2	40508745	SPRING
0019	abc.....	1	22181125	BRUSH HOLDER COMP	0043	abc.....	1	42380222	GUARD
0020	abc.....	2	22200425	BRUSH HOLDER	0044	abc.....	1	42421020	SWITCH
0021	abc.....	2	22320420	SPRING	0045	abc.....	1	42421030	PUSH-BUTTON
0022	abc.....	1	22560230	CONNECTION	0046	abc.....	1	43340790	FLANGE
0023	abc.....	1	23661000	SWITCH	0047	abc.....	1	43340795	FLANGE

Repairs/modification and testing of electric power tools are to be carried out by specialists. The safety regulations according to DIN/VDE/CEE/AFNOR and other regulations valid in the different countries are to be observed.

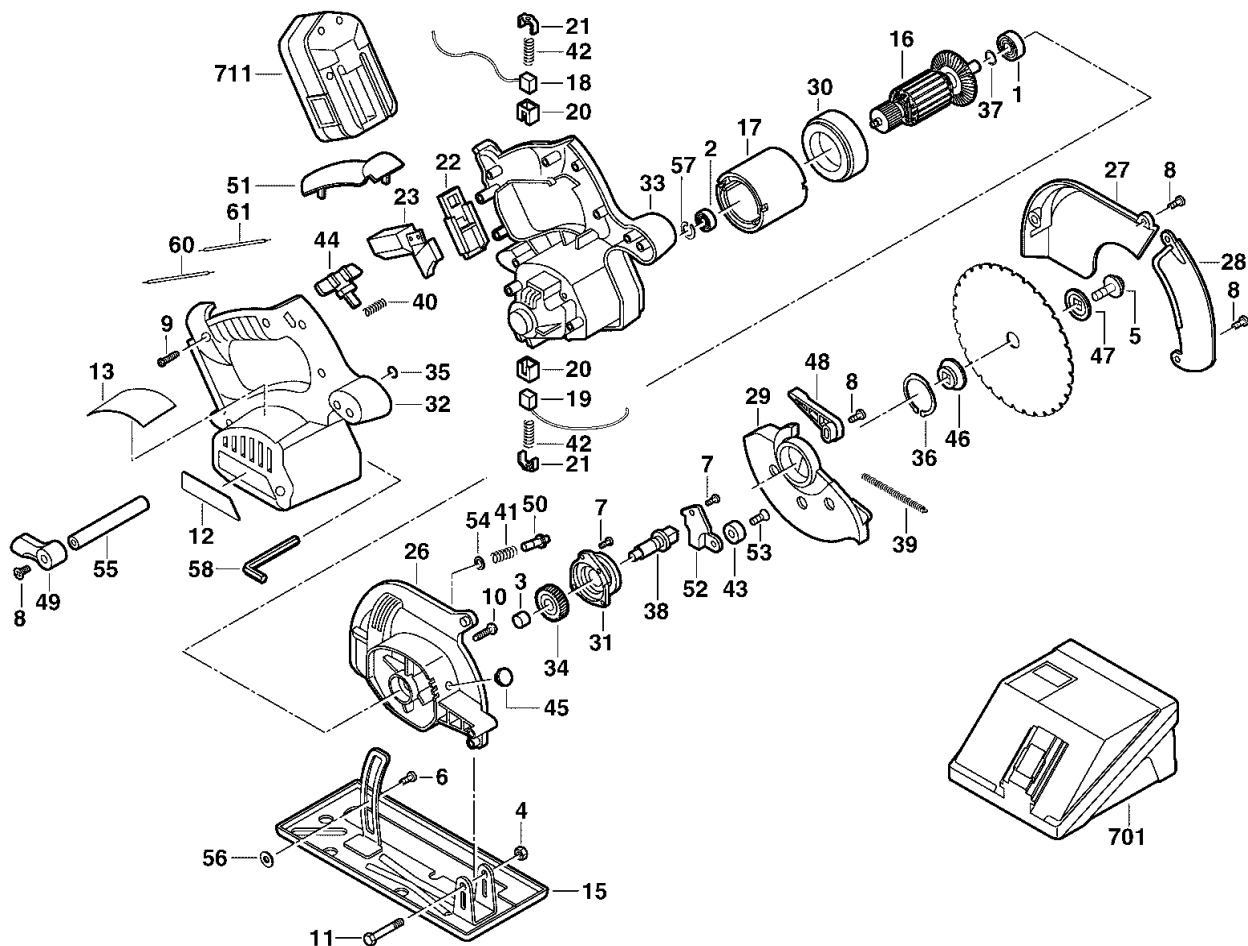
# A & M Electric Tools

Ind	Product No.	Type	Voltage	Country
a	4000385487	PMS18	18V	IN2
b	4000385487	PMS18	18V	AUS
c	4000385487	PMS18	18V	GB2

# Battery Tools

Milwaukee  
PMS18

Exp.view No.      Version    Date      Page  
4926 3854 86    0003    09.12.02    2/2



Pos	Index	Quanti	Article No.	Designation
0048	abc.....	1	44100420	STOP
0049	abc.....	1	44100430	STOP
0050	abc.....	1	44200650	SPINDLE
0051	abc.....	1	44520540	GRIP
0052	abc.....	1	44660840	SPINDLE LOCK
0053	abc.....	1	45040485	SCREW
0054	abc.....	1	45060720	FELT PACKING
0055	abc.....	1	45080395	SHAFT
0056	abc.....	1	45881545	WASHER
0057	abc.....	1	45885615	WASHER
0058	abc.....	1	49960080	WRENCH
0060	abc.....	1	23944260	WIRE
0061	abc.....	1	23944270	WIRE
0701	a.....	1	4932386670	CHARGER
0701	.b.....	1	4932386926	CHARGER
0711	abc.....	1	4932386874	BATTERY PACK

Pos	Index	Quanti	Article No.	Designation
-----	-------	--------	-------------	-------------