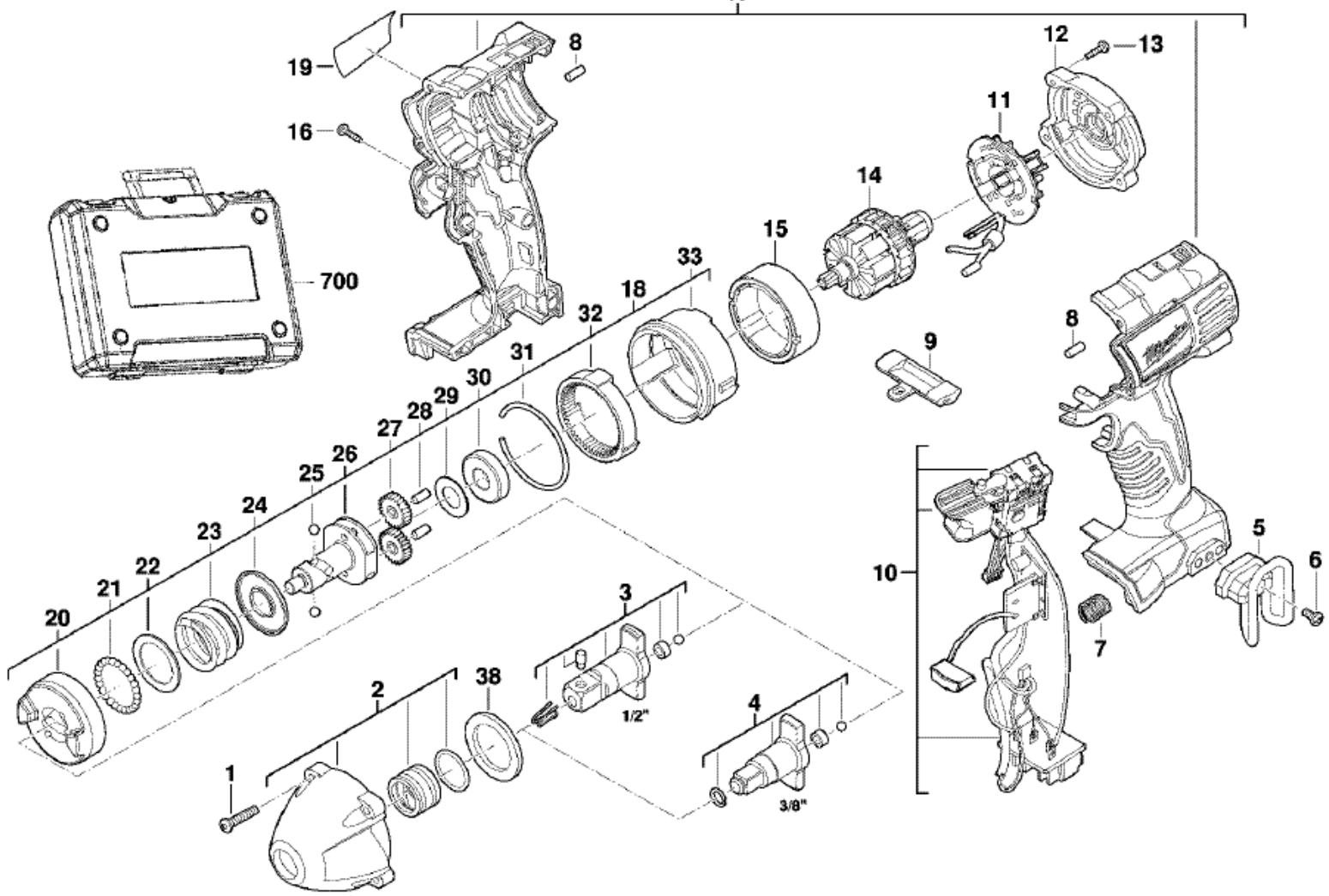


BATT. SCREWDRIVER

4933410090 - C18IW-32C - 4000431323



Position	Quantity	Description	Part number	EAN
0001	4	SCREW	201094001	4002395802616
0002	1	GEAR HEAD	201093001	4002395802609
0003	1	ANVIL	201306001	4002395805167
0004	1	ANVIL	201307001	4002395815258
0005	1	HOOK	201066001	4002395802333
0006	1	SCREW	201097001	4002395802647
0007	1	SPRING	201067001	4002395802340
0008	8	DAMPING ELEMENT	201065001	4002395802326
0009	1	GUIDE	201063001	4002395802319
0010	1	SWITCH KIT	4931433508	4002395898060
0011	1	CARBON BRUSH SET	290069199	4002395824847
0012	1	COVER	201062001	4002395802302
0013	1	SCREW	201096001	4002395802630
0014	1	MOTOR	201303002	4002395846849
0015	1	ELECTRIC FIELD	201070001	4002395802371
0016	7	SCREW	201095001	4002395802623
0017	1	HOUSING	201061002	4002395846818
0018	1	GEAR BOX HOUSING	201071001	4002395802388
0019	1	RATING PLATE	4931433511	4002395898091
0020	1	HAMMER	201085001	4002395802524
0021	30	BALL	201084001	4002395802517
0022	1	WASHER	201083001	4002395802500
0023	1	SPRING	201082001	4002395802494
0024	1	WASHER	201081001	4002395802487
0025	2	BALL	201080001	4002395802470
0026	1	CAM SHAFT	201079001	4002395802463
0027	2	GEAR	201078001	4002395802456
0028	2	PIN	201077001	4002395802449
0029	1	WASHER	201076001	4002395802432
0030	1	BALL BEARING	201075001	4002395802425
0031	1	REDUCTION ADAPTER	201074001	4002395802418
0032	1	RING	201073001	4002395802401
0033	1	GEAR BOX HOUSING	201072001	4002395802395
0038	1	WASHER	201092001	4002395802593
0700	1	CARRYING CASE	201100001	4002395802678