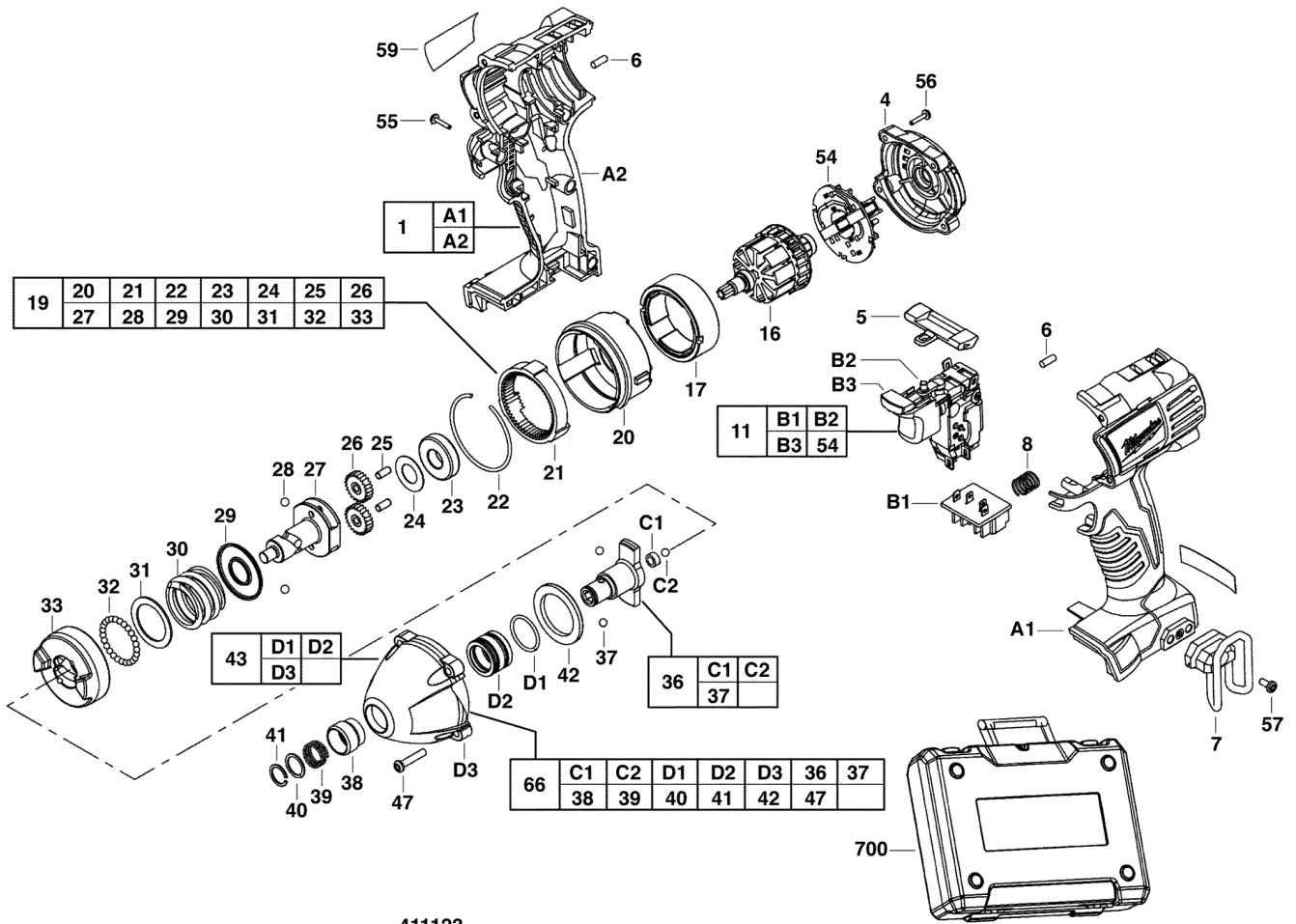


BTY.IMPACT WRENCH

4933401130 - C18ID-22C - 4000411121



411123

Position	Quantity	Description	Part number	EAN
0001	1	HOUSING	201061001	4002395846818
0002	1	GEAR HEAD	201093001	4002395802609
0003	1	ANVIL	201086001	4002395802531
0004	1	COVER	201062001	4002395802302
0005	1	GUIDE	201063001	4002395802319
0006	1	DAMPING ELEMENT	201065001	4002395802326
0007	1	HOOK	201066001	4002395802333
0008	1	SPRING	201067001	4002395802340
0009	1	GUIDE	201063001	4002395802319
0011	1	MODIFICATION SET	201068001	4002395846832
0012	1	COVER	201062001	4002395802302
0013	1	SCREW	201096001	4002395802630
0014	1	MOTOR	201303002	4002395846849
0015	1	ELECTRIC FIELD	201070001	4002395802371
0016	1	MOTOR	200701001	4002395846849
0017	1	ELECTRIC FIELD	201070001	4002395802371
0018	1	GEAR BOX HOUSING	201071001	4002395802388
0019	1	GEAR BOX HOUSING	201071001	4002395802388
0020	1	GEAR BOX HOUSING	201072001	4002395802395
0021	1	RING	201073001	4002395802401
0022	1	REDUCTION ADAPTER	201074001	4002395802418
0023	1	BALL BEARING	201075001	4002395802425
0024	1	WASHER	201076001	4002395802432
0025	1	PIN	201077001	4002395802449
0026	1	GEAR	201078001	4002395802456
0027	1	CAM SHAFT	201079001	4002395802463
0028	1	BALL	201080001	4002395802470
0029	1	WASHER	201081001	4002395802487
0030	1	SPRING	201082001	4002395802494
0031	1	WASHER	201083001	4002395802500
0032	1	BALL	201084001	4002395802517
0033	1	HAMMER	201085001	4002395802524
0034	1	REDUCTION ADAPTER	201091001	4002395802586
0035	1	WASHER	201090001	4002395802579
0036	1	ANVIL	201086001	4002395802531
0037	1	BALL	201087001	4002395802548
0038	1	BUSH	201088001	4002395802555
0039	1	SPRING	201089001	4002395802562
0040	1	WASHER	201090001	4002395802579
0043	1	HOUSING	201099001	4002395802661
0066	1	HOUSING	201099001	4002395802661
0700	1	CARRYING CASE	201100001	4002395802678