

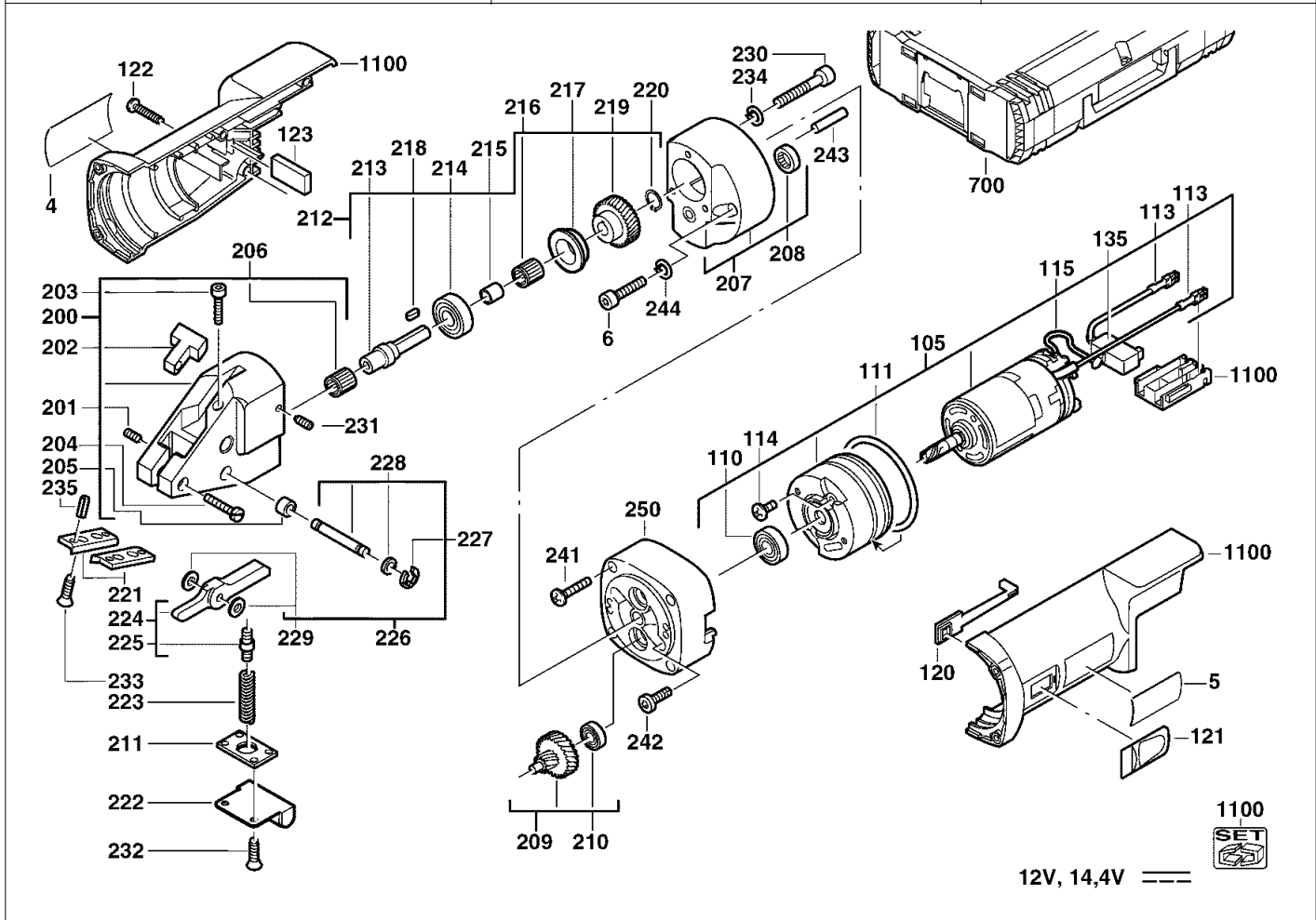
A & M Electric Tools

Battery Tools

Ind	Product No.	Type	Voltage	Country
c	4000382767	PSM12 POWER PLUS	12-14,4V	***
d	4000389319	PSM14.4POWERPLU	12-14,4V	***

Ind	Product No.	Type	Voltage	Country
-----	-------------	------	---------	---------

Milwaukee			
PSM12PP			
PSM14,4PP			
Exp.view No.	Version	Date	Page
4926 3827 69	0005	11.09.03	1/2



Pos	Index	Quanti	Article No.	Designation	Pos	Index	Quanti	Article No.	Designation
0004	c.....	1	4931382772	RATING PLATE	0207	cd.....	1	4931322882	TRANSITION PIECE
0004	d.....	1	4931389322	RATING PLATE	0208	cd.....	1	4931621446	NEEDLE BEARING
0005	cd.....	1	4931382710	NAME PLATE	0209	cd.....	1	4931322872	REDUCTION GEAR
0006	cd.....	2	9170327860	SCREW	0210	cd.....	1	4931887416	BALL BEARING
0105	cd.....	1	4931349573	DRIVE	0211	cd.....	1	4931322673	SPRING PLATE
0110	cd.....	1	4931621829	BALL BEARING	0212	cd.....	1	4931322672	DRIVE GEAR
0111	cd.....	1	4931623562	O-RING	0213	cd.....	1	4931322873	SHAFT
0113	cd.....	2	4931623536	WIRE	0214	cd.....	1	4931322874	BALL BEARING
0114	cd.....	2	4931621528	SCREW	0215	cd.....	1	4931622612	INSIDE RING
0115	cd.....	1	4931623556	WIRE	0216	cd.....	1	4931943567	NEEDLE BEARING
0120	cd.....	1	4931349559	SLIDE	0217	cd.....	1	4931322883	LID
0121	cd.....	1	4931358872	SWITCH COVER	0218	cd.....	1	4931622610	PARALLEL KEY
0122	cd.....	3	4931622708	SCREW	0219	cd.....	1	4931322884	GEAR
0123	cd.....	1	4931368224	SUPPORT	0220	cd.....	1	4931322888	LOCKING RING
0135	cd.....	1	4931349564	SWITCH	0221	cd.....	1	4931322867	FENCE
0200	cd.....	1	4931322879	HOUSING	0222	cd.....	1	4931322869	SUPPORT ROLL
0201	cd.....	1	4931979323	SCREW	0223	cd.....	1	4931322870	PRESSURE SPRING
0202	cd.....	1	4931322885	CHIP GUIDE	0224	cd.....	1	4931322868	KNIFE
0203	cd.....	1	4931616525	SCREW	0225	cd.....	1	4931322871	NUT
0204	cd.....	1	4931613237	SCREW	0226	cd.....	1	4931322864	KNIFE BOLT
0205	cd.....	2	4931322887	BEARING BUSH	0227	cd.....	2	4931621973	SHAFT CLIP
0206	cd.....	1	4931943567	NEEDLE BEARING	0228	cd.....	2	4931615511	SEALING WASHER

Repairs/modification and testing of electric power tools are to be carried out by specialists. The safety regulations according to DIN/VDE/CEE/AFNOR and other regulations valid in the different countries are to be observed.

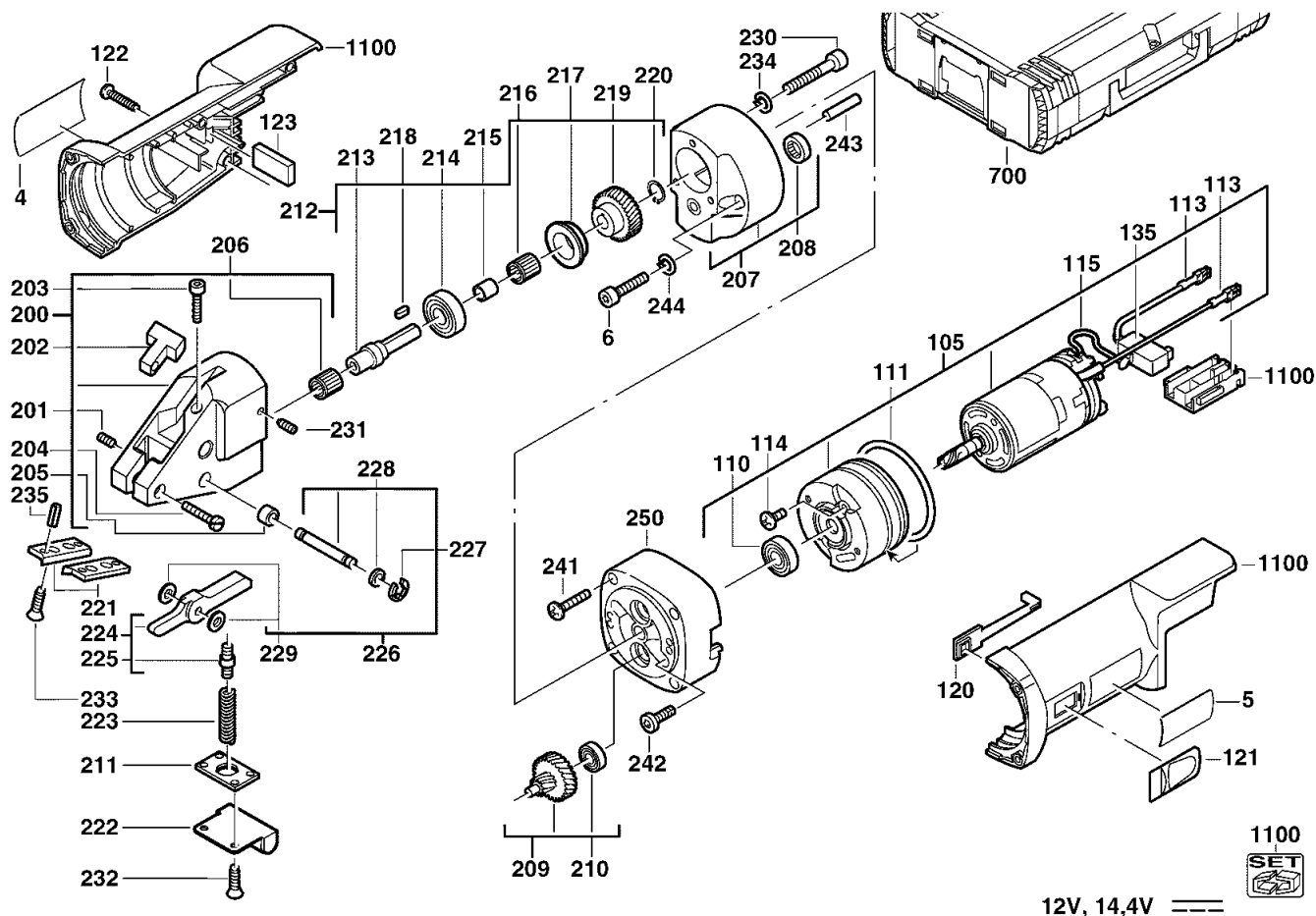
A & M Electric Tools

Battery Tools

Ind	Product No.	Type	Voltage	Country
c	4000382767	PSM12 POWER PLUS	12-14,4V	***
d	4000389319	PSM14.4POWERPLU	12-14,4V	***

Ind	Product No.	Type	Voltage	Country

Milwaukee			
PSM12PP			
PSM14,4PP			
Exp.view No.	Version	Date	Page
4926 3827 69	0005	11.09.03	2/2



Pos	Index	Quanti	Article No.	Designation
0229	cd.....	1	4931322886	SPACER
0230	cd.....	3	4931619130	SCREW
0231	cd.....	2	4931622604	THREADED PIN
0232	cd.....	4	4931622606	SCREW
0233	cd.....	4	4931619852	SCREW
0234	cd.....	3	4931617426	SEALING WASHER
0235	cd.....	4	4931622320	PIN
0241	cd.....	4	4931620737	SCREW
0242	cd.....	2	4931623048	SCREW
0243	cd.....	1	4931600203	PIN
0244	cd.....	2	4931603756	RING
0250	cd.....	1	4931382727	BEARING END PLATE
0700	.d.....	1	4932381280	CARRYING CASE
1100	cd.....	1	4931358934	HOUSING

Pos	Index	Quanti	Article No.	Designation