

A & M Electric Tools

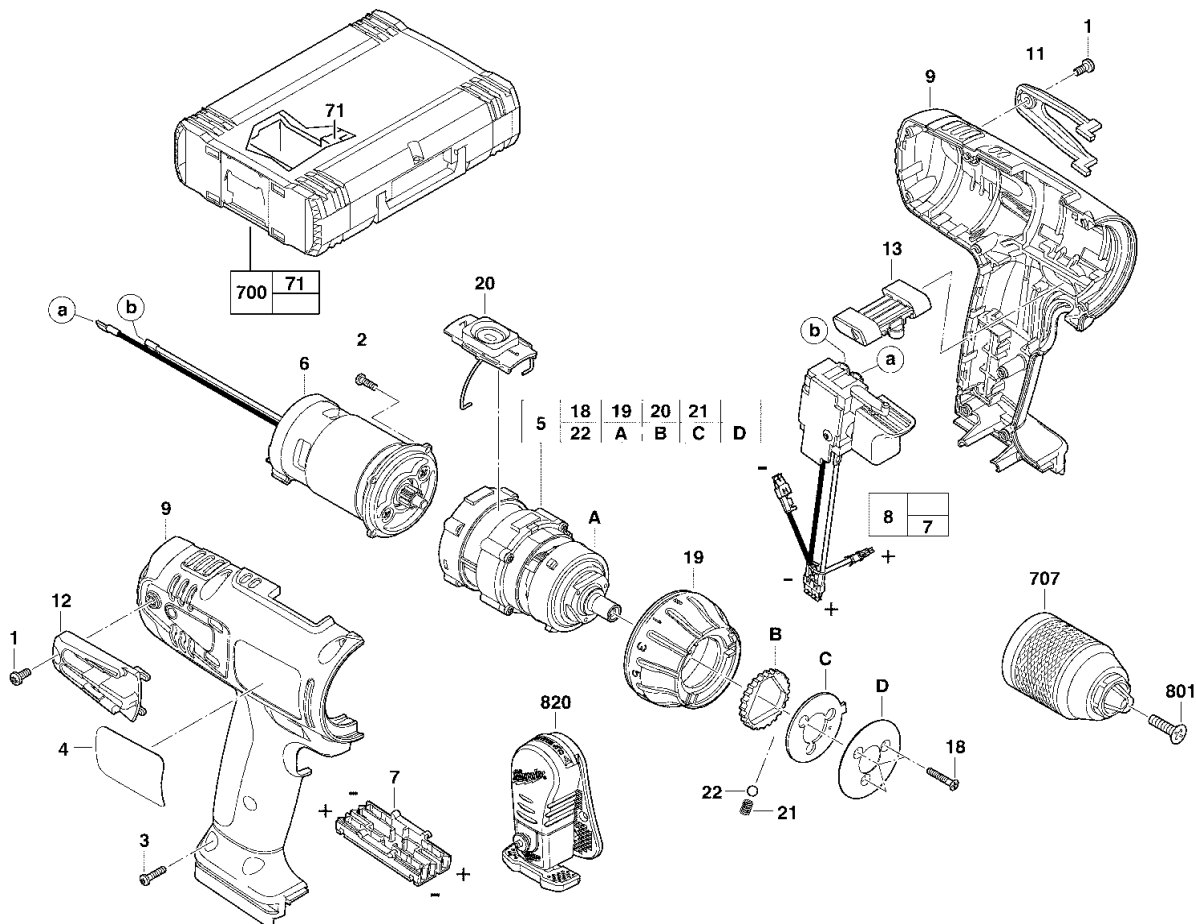
Battery Tools

Ind	Product No.	Type	Voltage	Country
a	4000390632	PLD12X	12V	***
b	4000390647	PLD14.4X	14,4V	***

Ind	Product No.	Type	Voltage	Country
-----	-------------	------	---------	---------

Milwaukee
PLD 12 X
PLD 14.4 X

Exp.view No. Version Date Page
4926 3906 34 0003 14.02.07 1/1



Pos	Index	Quanti	Article No.	Designation
0001	ab.....	2	06825275	SCREW
0002	ab.....	4	06827218	DISC
0003	ab.....	9	06827225	SCREW
0004	a.....	1	4931390645	RATING PLATE
0004	.b.....	1	4931390646	RATING PLATE
0005	ab.....	1	14290160	GEAR BOX
0006	ab.....	1	14500785	MOTOR
0007	ab.....	1	4931349089	INSERT
0008	ab.....	1	23660690	SWITCH
0009	ab.....	1	31440970	HOUSING
0011	ab.....	1	43720300	HOLDER
0012	ab.....	1	43720455	BIT HOLDER
0013	ab.....	1	45240525	SLIDER
0018	ab.....	3	05780800	SCREW
0019	ab.....	1	42760530	COUPLING RING
0020	ab.....	1	45240800	LEVER
0021	ab.....	3	40501340	SPRING
0022	ab.....	3	02021200	BALL
0071	ab.....	1	4931390334	INSERT
0700	ab.....	1	4932378986	CARRYING CASE
0707	ab.....	1	4932399492	KEYLESS CHUCK
0801	ab.....	1	4931400025	LOCKING SCREW

Pos	Index	Quanti	Article No.	Designation
0820	ab.....	1	42705005	HOLDER

Repairs/modification and testing of electric power tools are to be carried out by specialists. The safety regulations according to DIN/VDE/CEE/AFNOR and other regulations valid in the different countries are to be observed.