

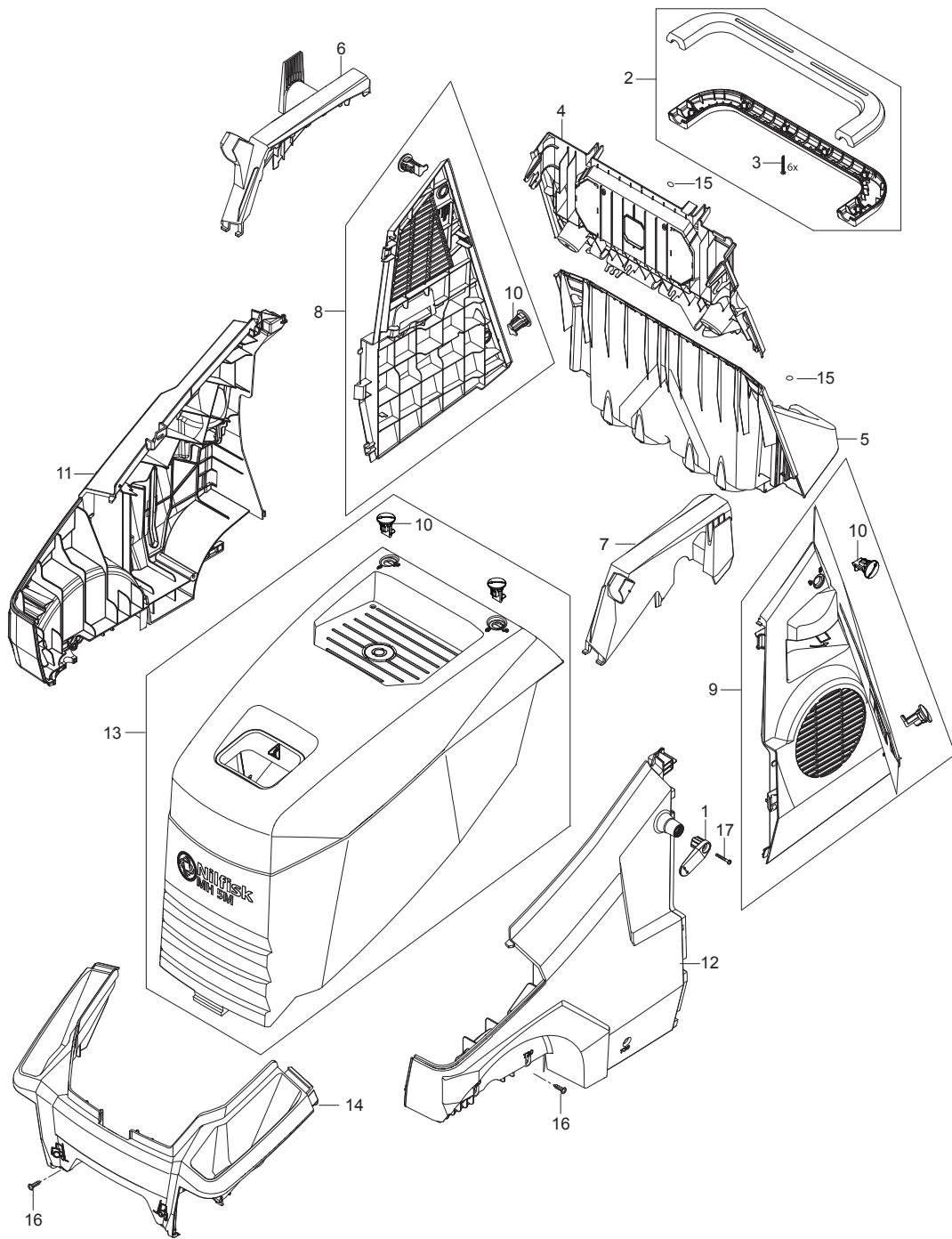
PARTS LIST



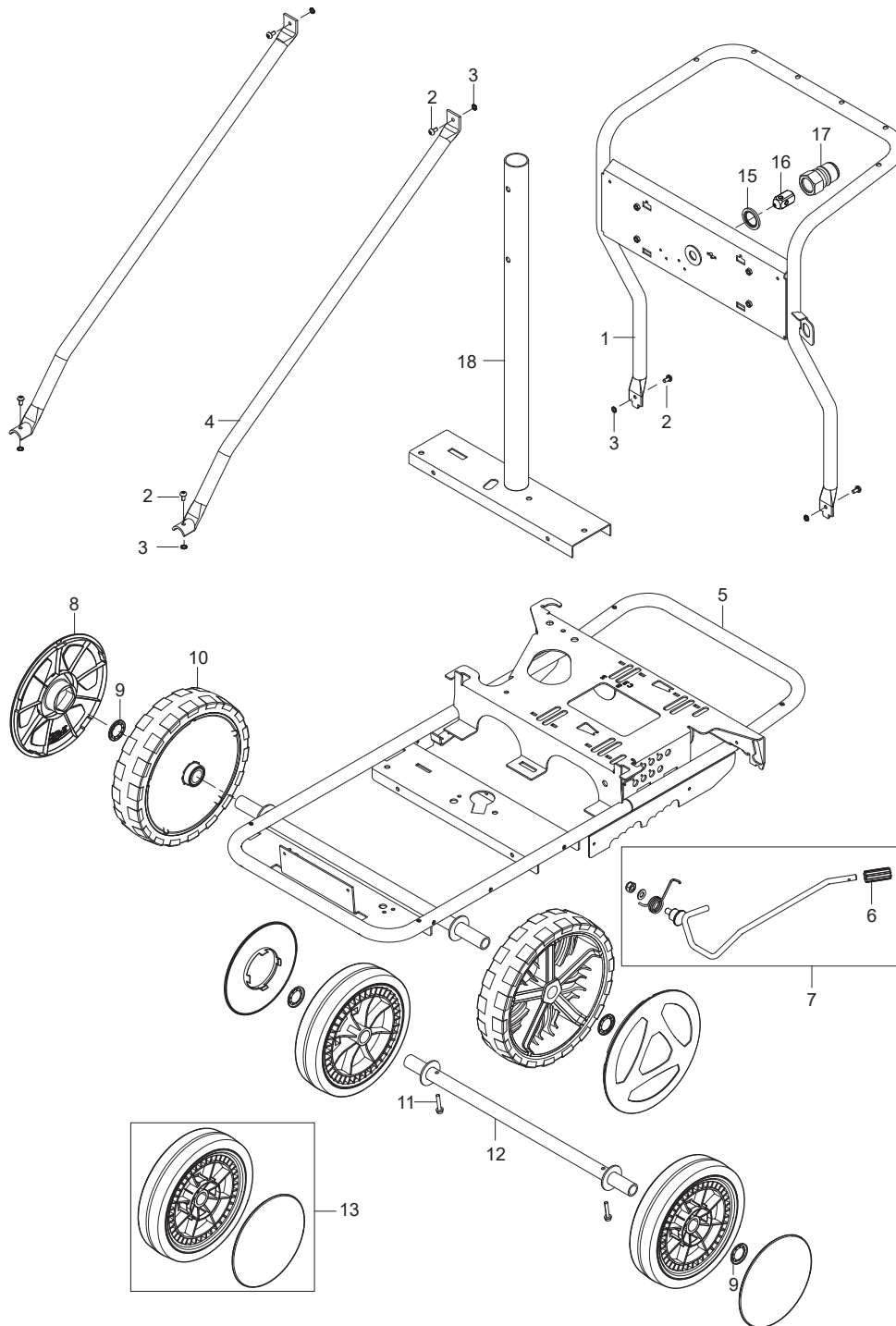
2023.04.21

TABLE OF CONTENTS

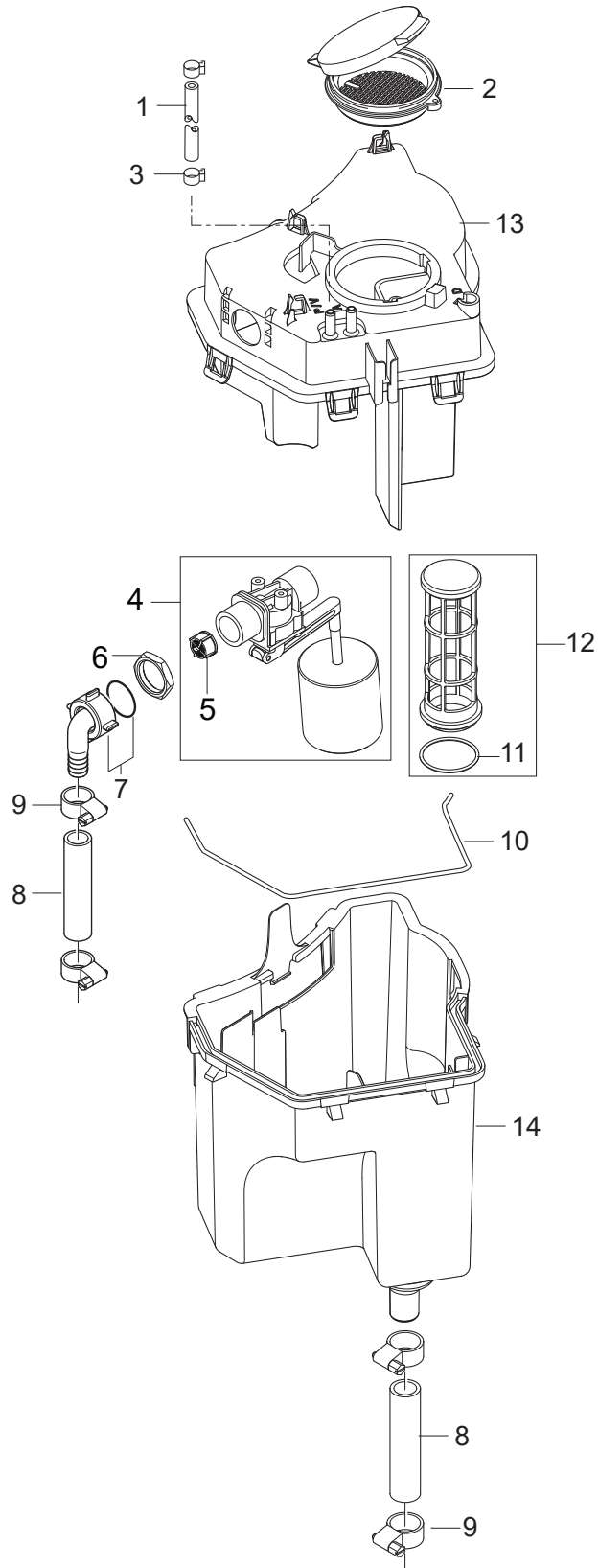
Cabinet.....	1
Chassis large.....	3
Water break tank.....	5
Electric box for motor 1~,3~ STAR and 3~ DELTA.....	7
Water inlet_PA.....	9
Anti-scale.....	11
Fuel tank 30L.....	13
Burner.....	15
Electric box for motor Star/Delta.....	17
1x detergent.....	19
Electric box.....	21
Cables and wires.....	24
Motor pump.....	26
Cylinder block.....	28
Water flow regulation_FA.....	30
Unloader_PA.....	32
Water inlet_FA.....	34
Flow control FA.....	36
Hose reel.....	38
Flow control PA_ w manometer.....	40
Fan.....	42
Boiler B5.....	44



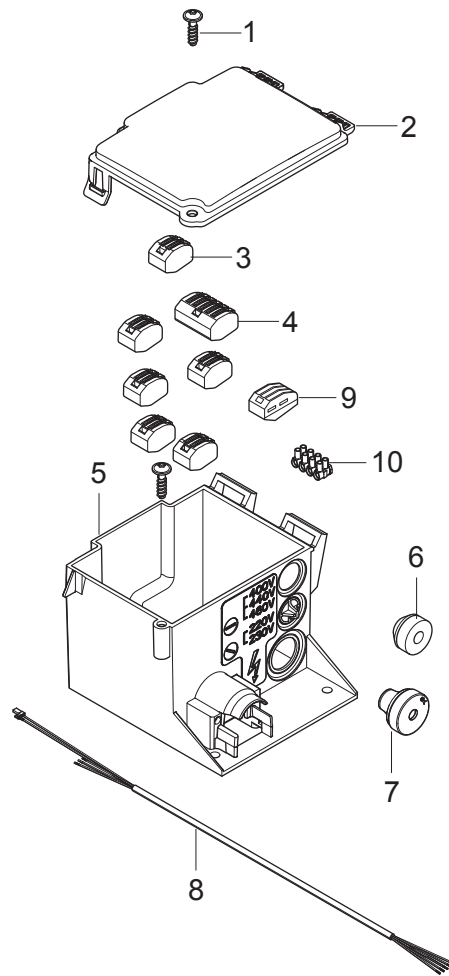
Pos.	Vare-nr	Antal	Beskrivelse	Notes
1	107143025	1	CABLE HOOK CLAMP BLUE	
2	101118192	1	HANDLE KIT	
3	909100148	6	SCREW K40X30 WN 1452	
4	107143013	1	REAR END TOP	
5	107143014	1	REAR END BOTTOM	
6	107143021	1	COVERING FOR HANDLE RIGHT	
7	107143022	1	COVERING FOR HANDLE LEFT	
8	107143023	1	DOOR W/LOCKS MPU NA5-NA6 RIGHT	
9	107143019	1	DOOR LEFT W/LOCKS	
10	301001261	6	Lås	
11	107143130	1	SIDE BUMPER LARGE RIGHT	
12	107143131	1	SIDE BUMPER LARGE LEFT	
13	101118201	1	CABINET MH 5M NILFISK KIT	
14	107143015	1	FRONT BUMPER	
15	107143009	6	BLIND PLUG D16.5 FOR T30 BLACK PE	
16	107143018	12	SCREW M6X16	
17	107141838	7	SCREW K50X18 WN1451 BLACK TORX20	



Pos.	Vare-nr	Antal	Beskrivelse	Notes
1	31001157	1	FRAME HANDLE	
2	107143018	6	SCREW M6X16	
3	107143146	6	WASHER SERRATED M6	
4	31001158	2	HANDLE STIFFENER LONG	
5	31001159	1	FRAME LARGE WELDED	
6	107143028	1	BRAKE KNOB	
7	101118229	1	BRAKE ARM LONG KIT	
8	107145780	2	WHEEL CAP FOR WHEEL Ø300X65 - NILFISK	
9	46363	4	Låsering Ø25	
10	107145637	2	WHEEL D300X65	
11	107143027	2	SCREW M6X35 SW10 DIN7500D FZB	
12	31001160	1	WHEEL AXLE REAR	
13	107143304	2	WHEEL D250 HEAVY LOAD W/CAP	
15	1801075	1	Tætningsskive 3/8"	
16	107143066	1	PISTON	
17	1600493	1	Ergo højtryksskobling DN10 3/8" han	
18	31001161	1	BOILER TUBE W. BRACKET LARGE	



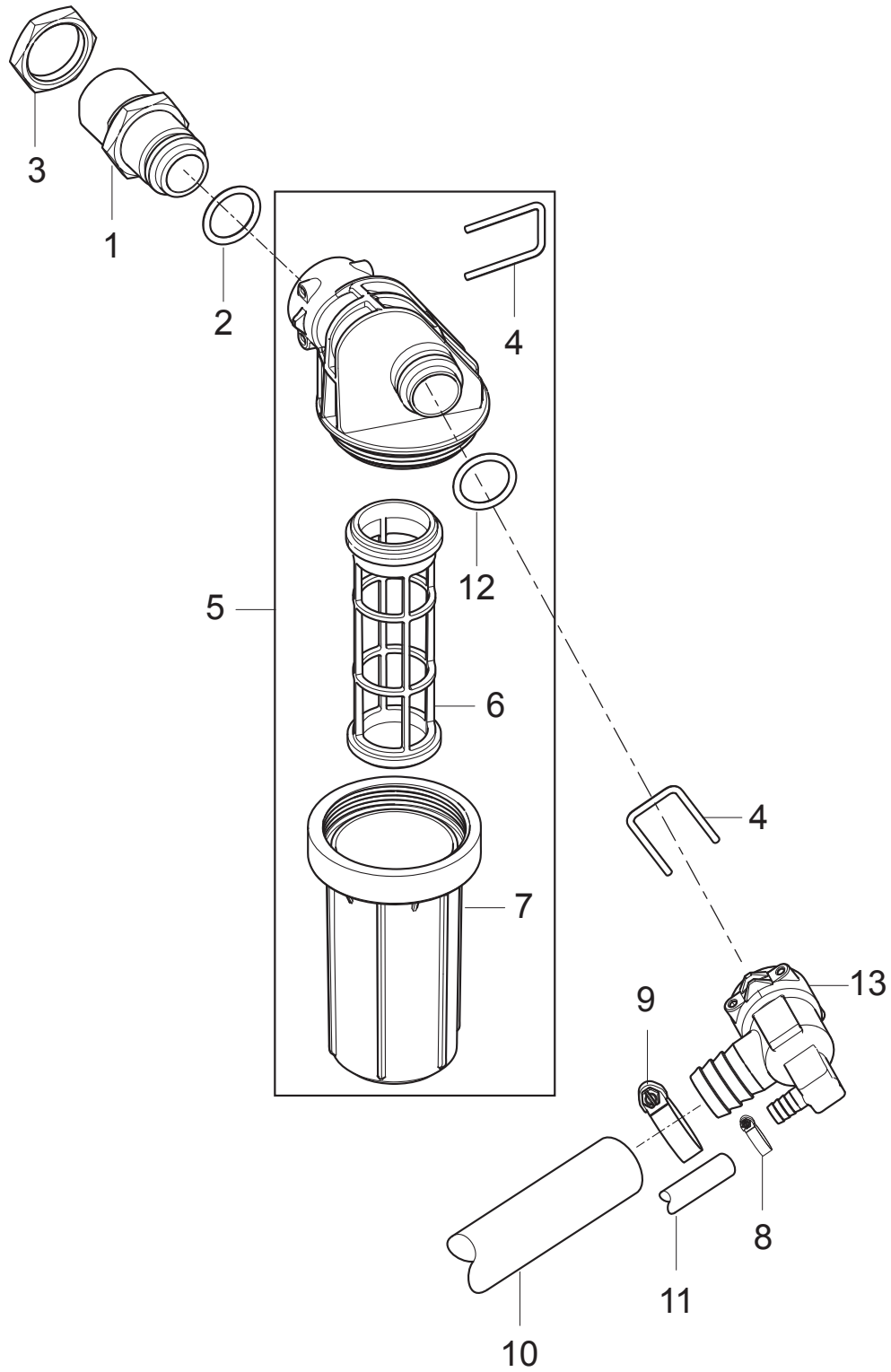
Pos.	Vare-nr	Antal	Beskrivelse	Notes
1	101406100	1	Kemislange, 5 Meter	
2	301000561	1	Dæksel	
3	301001133	2	Slangeklemme Ø10/7	
4	101117784	1	Svømmerventil	
5	34218	1	Filter For Float Valve Ku	
6	1800341	1	"Kontramøtrik 3/4"" "	
7	107143084	1	HOSE COUPLING 90° 20X3/4 PP W/NUT/GASKET	
8	107143031	1	FUELFLEX HOSE D28/D20 10BAR/20°	
9	8298	4	Spændebånd	
10	101406054	1	Sponge Rubber Ø4 L 1M	
11	107143032	1	O-RING D30X2 SHORE70 NBR BLACK	
12	106403194	1	Filter til svømmertank	
13	107143060	1	COVER FOR WATER TANK	
14	107143030	1	WATER BREAK TANK	



Pos.	Vare-nr	Antal	Beskrivelse	Notes
1	107141838	1	SCREW K50X18 WN1451 BLACK TORX20	
2	301000782	1	Dæksel	
3	107143069	6	SNAP TERMINAL 2 POL	
4	301002165	1	CABLE CLAMP TERMINAL 5POL WAGO 222-415	
5	107143074	1	E-BOX	
6	3803764	1	Pakdåse Tet 5-7C	
7	3803772	1	CABLE GROMMET TET 7-10C	
8	107143075	1	MOTOR CABLE 5G1.5 FOR 3~	[1]
8	107143076	1	MOTOR CABLE 5G1.5 FOR 1~	[2]
8	107143071	1	MOTOR CABLE 5G2.5 FOR STAR/DELTA	[3]
8	107143129	1	MOTOR CABLE 4G4 DELTA MH5-6-7	[4]
9	107143069	1	SNAP TERMINAL 2 POL	[5]
10	107143158	1	TERMINAL BLOCK 4-POL 10MM2	[6]

Part Notes:

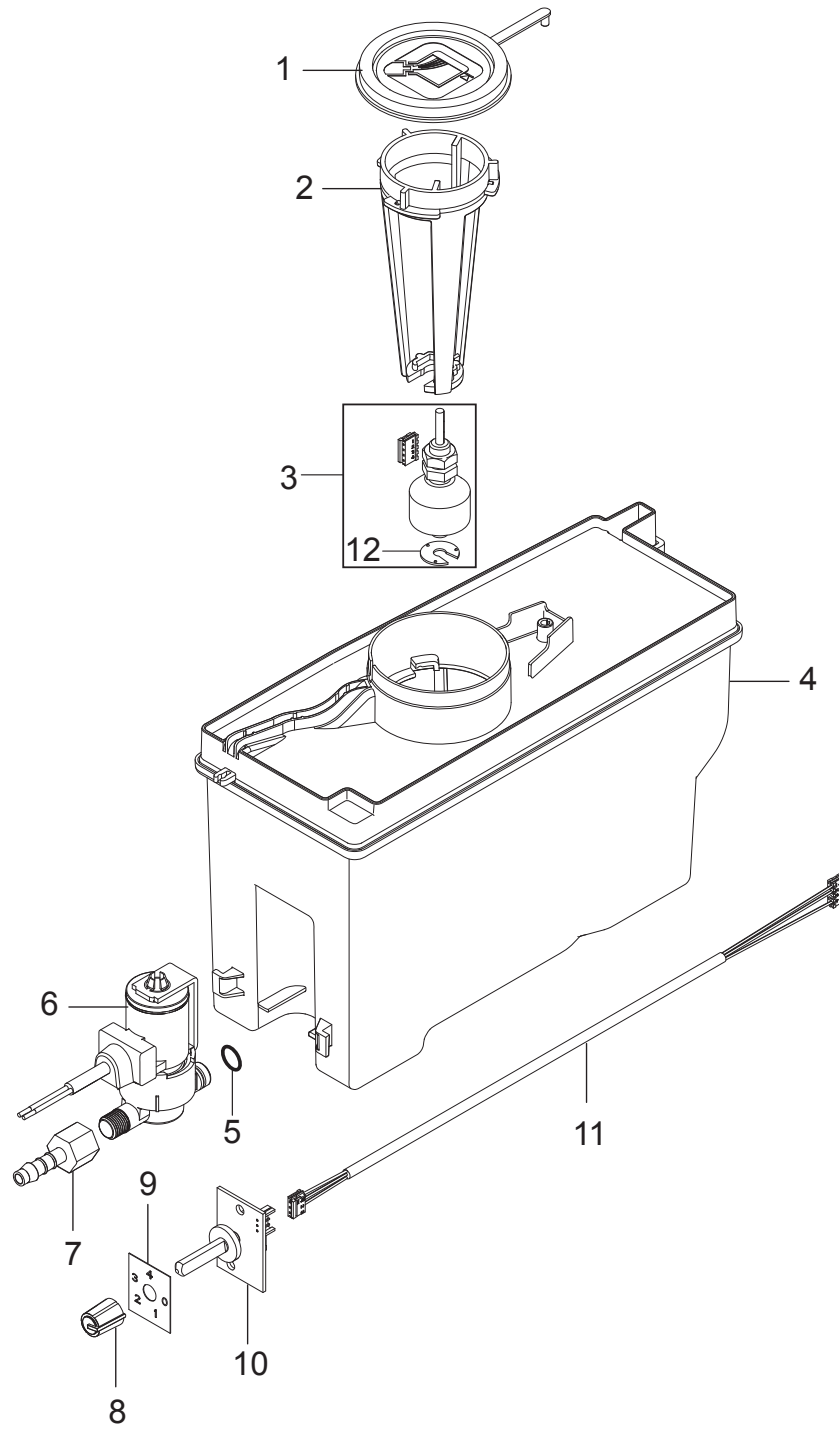
- [1] - MH4, MH5-200
- [2] - MH4 1ph, MH5 1ph
- [3] - MH4 (JP), MH5 (not MH5-200), MH6, MH7
- [4] - MH6 JP, MH7 JP
- [5] - 1~
- [6] - MH5-6-7 - Delta, JP



Pos.	Vare-nr	Antal	Beskrivelse	Notes
1	107143086	1	FITTING FOR WATER INLET	
2	107143088	2	O-RING 18.72X2.62	
3	1800341	1	"Kontramøtrik 3/4"" "	
4	107143085	2	LOCK PIN	
5	107144272	1	Vandfilter komplet 5000 mm2 50µ	
6	31001100	1	FILTER CARTRIDGE WITHOUT FLANGE	[1]
7	31001011	1	Glas til vandfilter	[1]
8	11654	1	Slangeklemme	
9	8298	1	Spændebånd	
10	107143031	1	FUELFLEX HOSE D28/D20 10BAR/20°	
11	101406100	1	Kemislange, 5 Meter	
12	107143088	1	O-RING 18.72X2.62	
13	107143089	1	WATER INLET FITTING FOR PA	

Part Notes:

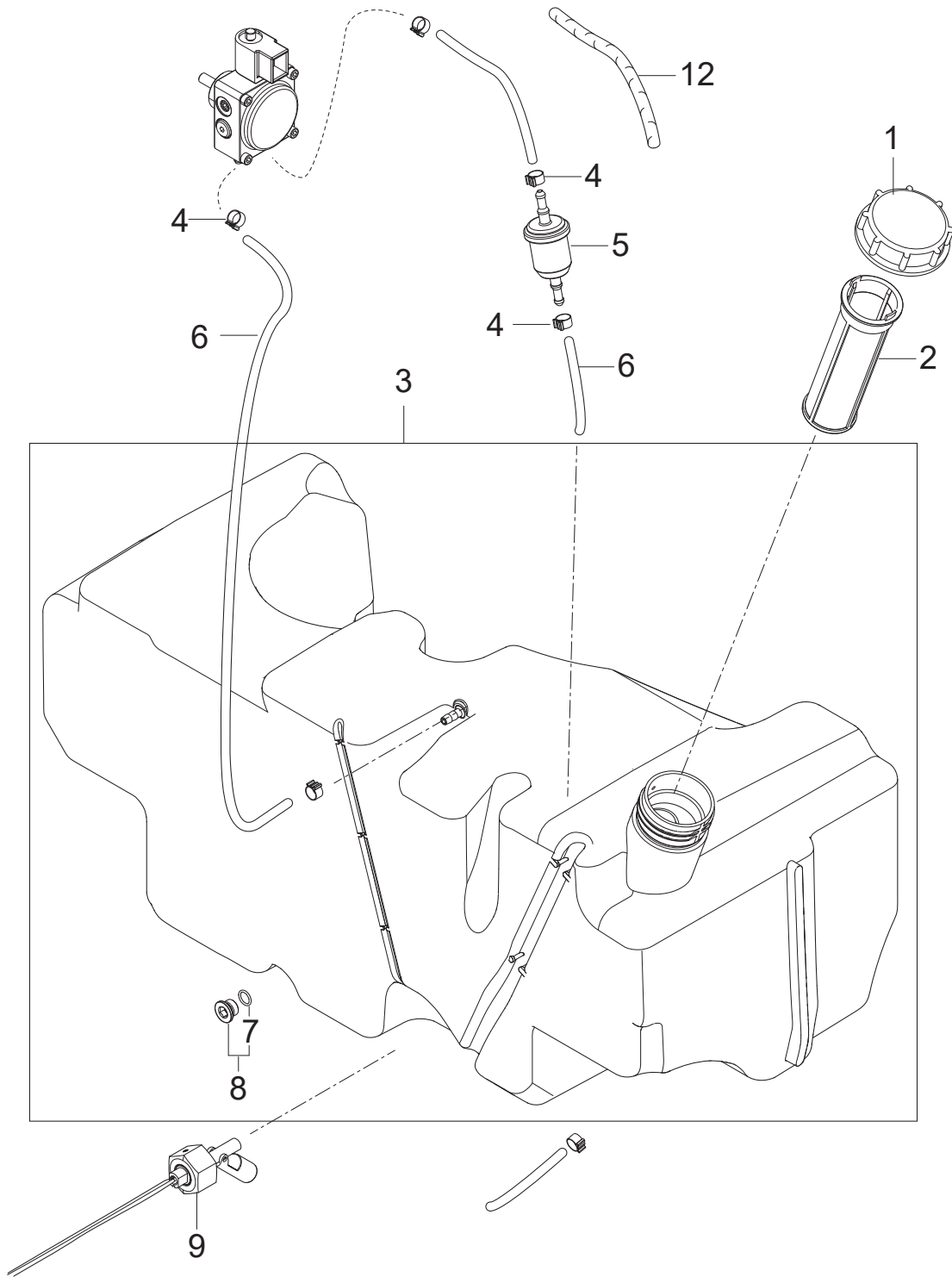
- [1] - TSB-PPW-2020-006 Water inlet filter cartridge and filter glass improved
 TSB-PPW-2020-06 Cartouche de filtre d'entrée d'eau et bocal de filtre amélioré
 DE TSB-PPW-2020-006 Wasserzulauffilter Glas und Filtereinsatz verbessert



Pos.	Vare-nr	Antal	Beskrivelse	Notes
1	45646	1	COVER	
2	107143040	1	LEVELSENSOR BRACKET FOR ANTISCALE	
3	101118214	1	FLOAT SWITCH KIT	
4	107143041	1	ANTISCALE TANK CPL.	
5	31001036	1	O-RING 6X2 NBR 70SH	
6	107143037	1	DOSING VALVE RPE 24VAC	
7	107143036	1	HOSE FITTING D6X1/8 PA	
8	107318222	1	PUSH-ON KNOB 11MM/6MMD/WH	
9	107143042	1	LABEL FOR ANTISCALE	
10	101117730	1	PCB FOR POTENTIOMETER	
11	107143038	1	CABLE FOR ADJUSTMENT ANTI SCALE	
12	107142593	1	HOLDING WASHER PE	[1]

Part Notes:

- [1] - TSB-PPW-2016-017 Locking ring for oil level switch falling off



Pos.	Vare-nr	Antal	Beskrivelse	Notes
1	107143034	1	FUEL TANK LID - RED	
2	107144862	1	STRAINER Ø49,5X140	
3	107143136	1	Fuel Tank 30L	
4	301001133	6	Slangeklemme Ø10/7	
5	301002926	1	Filter	
6	106408244	0.35	Slange Ø6X2.5 - 5 meter	
7	3000072	1	O-ring 10,1 x 1,6 Nitril	
8	6180906	1	Prop m. o-ring	[1]
9	107143033	1	LEVEL SENSOR FUEL TANK	
10	107143164	1	BEND PROTECTOR	[2]

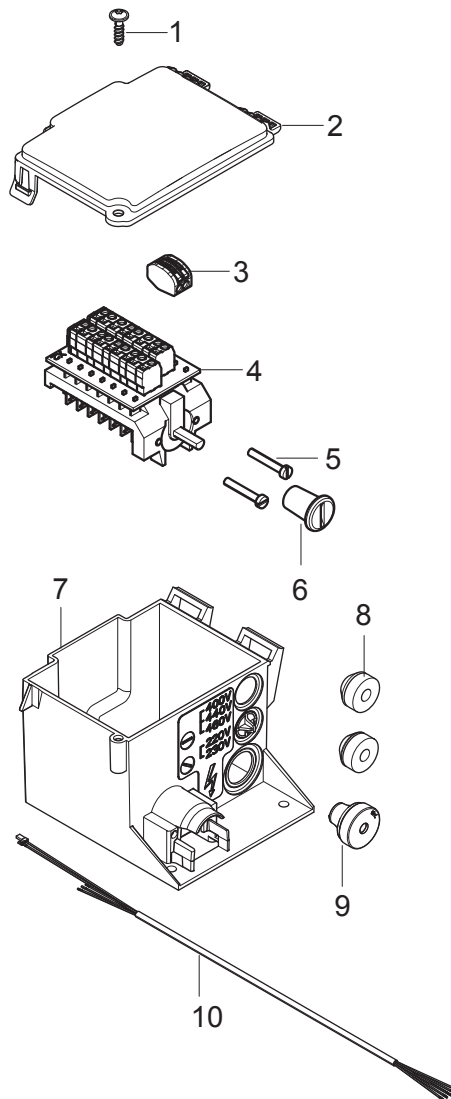
Part Notes:

- [1] - STOCK COVERS GUARANTEE
- [2] - DE TSB-PPW-2017-006 MH 3, 4, 5, 6, 7 Kraftstoffschlauch kann durch zu st...
TSB-PPW-2017-006 MH 3, 4, 5, 6, 7 Fuel hose can bend and block for fuel

Pos.	Vare-nr	Antal	Beskrivelse	Notes
1	107143100	1	FLAME SENSOR WITH CABLE	
2	5606	1	Metal Skruer	
3	4036	1	Skruer 2,9X9,5	
4	301000934	1	Holder Flammeføler	
5	107143101	1	SHIELD FOR FLAME SENSOR	
6	909100141	1	Slange	
7	101117913	1	Elbow 4/M5 Push-In	
8	3873	3	SCREW M5X30	
9	3376	3	Låseskive	
10	101117876	1	Circlips	
11	909100144	1	Fjederskive	
12	909100143	1	Skruer	
13	301150009	1	Tændelegte	
14	101117915	1	Oil Nozzle Holder	
15	301000886	1	Oljedyse	
16	51848	3	Skruer	
17	301001834	1	Air Distributor Ø94X59,2	
18	301000606	1	Dæksel	[1]
19	909100149	2	Skruer 5X50	
20	101117759	1	Tændtransformer 220-240V	[2]
21	107143098	1	PRIMARY CABLE FOR IGNITION COIL	
22	101118220	1	2 X IGNITION CORDS KIT	

Part Notes:

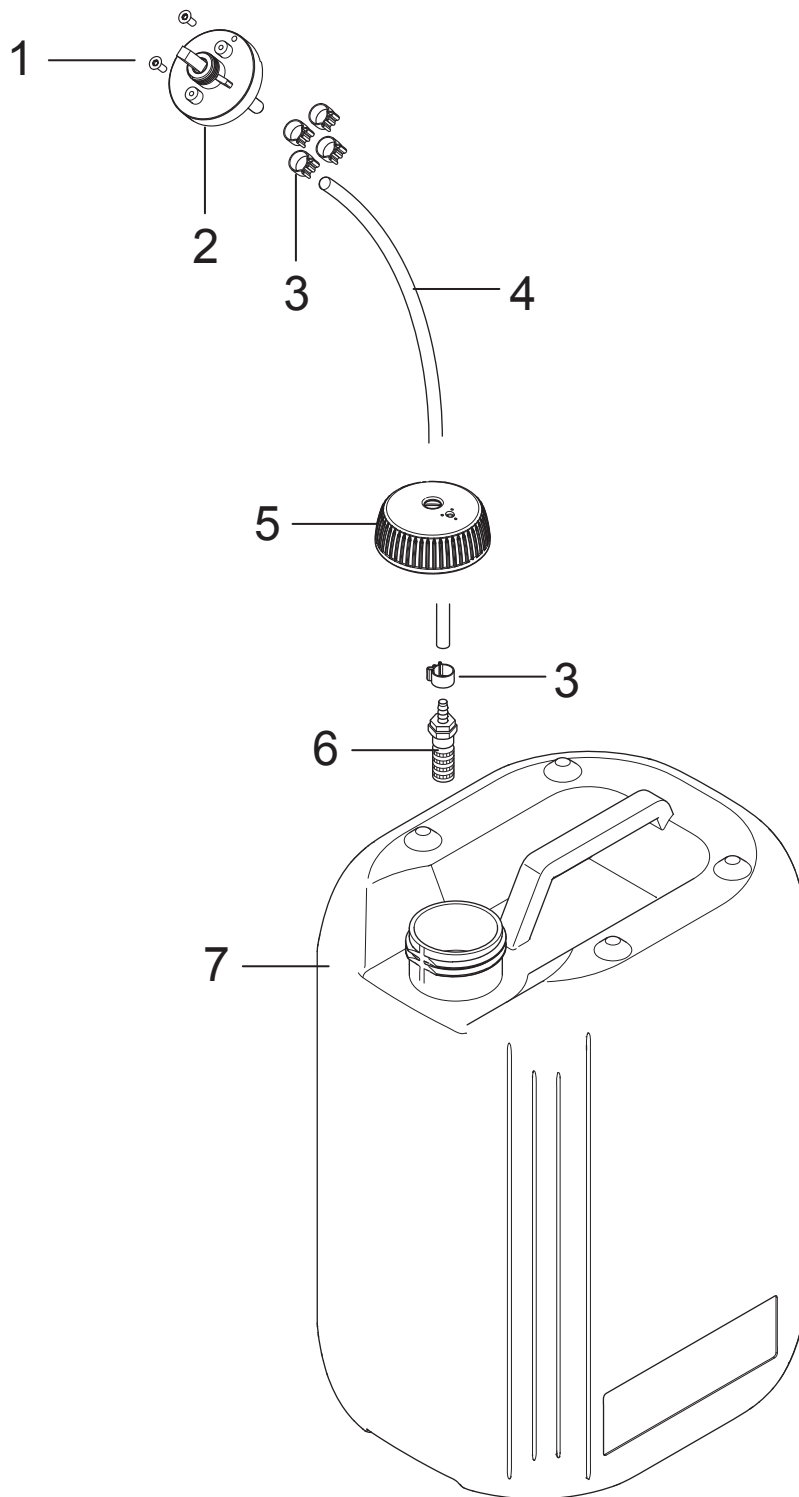
- [1] - MH5, MH6, MH7, MH8
 [2] - TSB-PPW-2018-004 Boiler cannot start - no ignition
 FR TSB-PPW-2018-004 Le bruleur ne démarre plus
 DE TSB-PPW-2018-004 Brenner startet nicht - keine Zündung



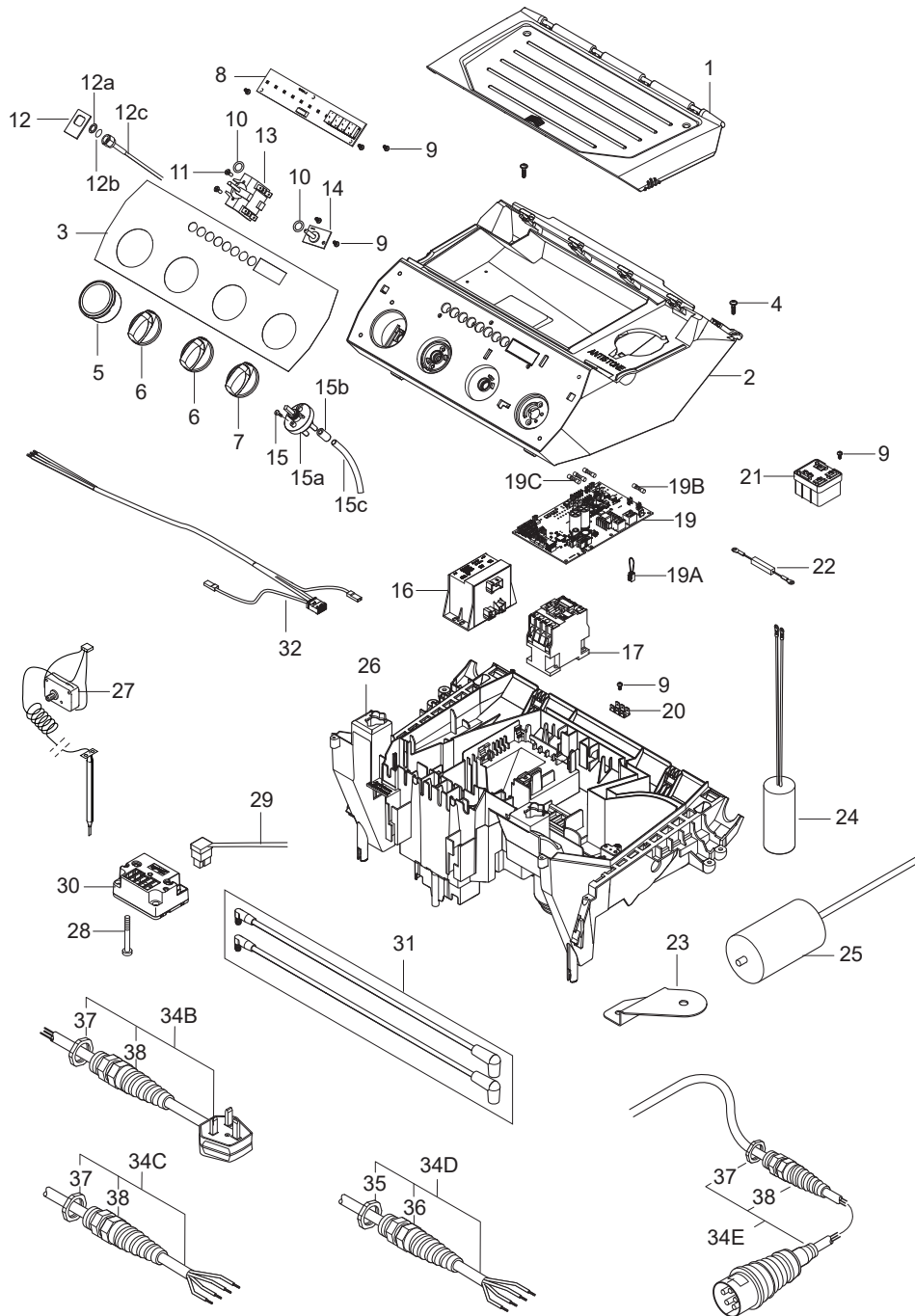
Pos.	Vare-nr	Antal	Beskrivelse	Notes
1	107141838	1	SCREW K50X18 WN1451 BLACK TORX20	
2	301000782	1	Dæksel	
3	107143069	1	SNAP TERMINAL 2 POL	
4	107143073	1	PCB SWITCH STAR/DELTA	
5	101117739	2	SCREW HEX M4X22-8.8 A2K DIN912	
6	64580	1	ROTARY KNOB	[1]
7	107143074	1	E-BOX	
8	3803764	2	Pakdåse Tet 5-7C	
9	3803772	1	CABLE GROMMET TET 7-10C	
10	107143071	1	MOTOR CABLE 5G2.5 FOR STAR/DELTA	

Part Notes:

- [1] - TSB-PPW-2016-007 Rotary knob for Voltage selector switch 230V-400V must be sealed with lacquer
 DE TSB-PPW-2016-007 Drehknopf des Spannungsauswahlschalters 230V-400V muss mit Lack versiegelt werden



Pos.	Vare-nr	Antal	Beskrivelse	Notes
1	1814730	2	SCREW 35X10B W1423	
2	301001000	1	Doserventil	
3	301001133	8	Slangeklemme Ø10/7	
4	106408243	1	HOSE 1/4INCH TRANSPARENT - 5 METERS	
5	107141664	2	CAP FOR DETERG. TANK WITH VALVE MOUNTED	
6	107145440	2	Strainer Valve Compl. Kit	
7	80518	1	Plastdunk 10 liter	



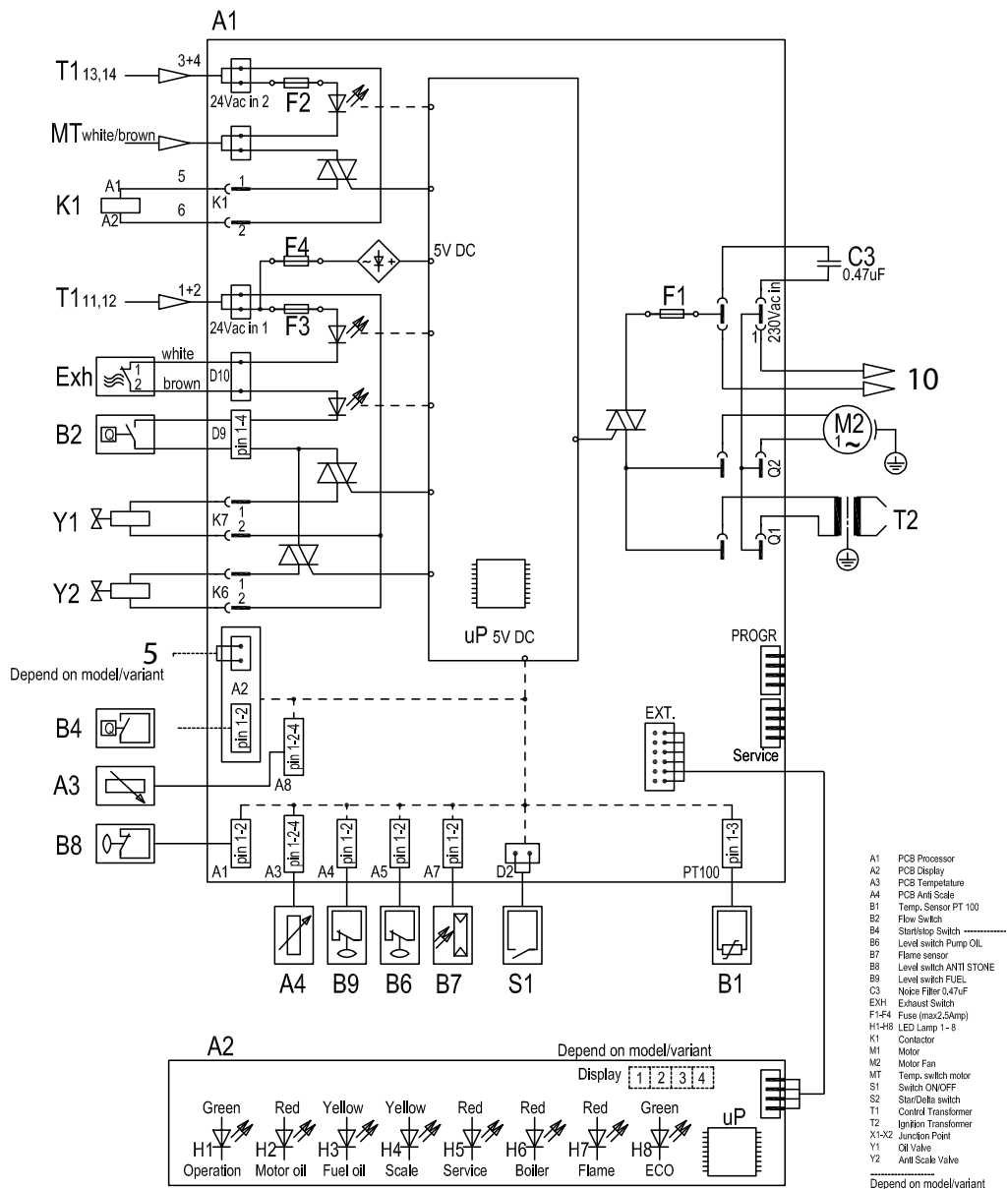
Pos.	Vare-nr	Antal	Beskrivelse	Notes
1	107143046	1	TOOL BOX LID	
2	107143045	1	E-BOX TOP	
3	107143153	1	LABEL F. CONTROL PANEL FULL SPEC NILFISK	
4	107141838	2	SCREW K50X18 WN1451 BLACK TORX20	
5	107141648	1	MANOMETER 0-300 BAR - 1/4"	
6	909100204	2	Drejeknap	
7	909100214	1	Drejeknap Gr.1 4Kt	
8	107143154	1	PCBA NEO UI DISPLAY CPL. MH	
9	909100046	5	SCREW 4X8	
10	9868	2	O-ring 10.0X2.5	
11	18274	2	Skruer M4X12	
12	107141650	1	PLATE FOR MANOMETER	
12a	107141651	1	WASHER M12 13X24X2.5 A2 DIN125	
12b	31000508	1	O-RING NBR	
12c	102406647	1	Slange	
13	28877	1	Switch	
14	101117730	1	PCB FOR POTENTIOMETER	
15	1814730	2	SCREW 35X10B W1423	
15a	301001000	1	Doserventil	
15b	301001906	1	Lukkekappe	
15c	106408243	1	HOSE 1/4INCH TRANSPARENT - 5 METERS	
16	107143051	1	POWER TRANSFORMER 230/400V 2X24V	
16	107143064	1	POWER TRANSFORMER 220-240V/440-460V	
16	107143068	1	POWER TRANSFORMER 115 / 200V	
17	103822306	1	Contactora Cjx2-D18-B7 24V	[1]
17	103822313	1	Contactora 12-25A 50/60Hz 24V	[2]
17	103822317	1	Contactora Cjx2-D32-B7 24V	[3]
19	107143151	1	PCBA MH	[4]
19A	101221031	1	JUMPER F. SERVICE TIME RESET (106420063)	
19B	31001190	1	FUSE 6.3A 5X20 MM 250V	
19C	15846	3	Sikring 2,5A	
20	107307326	1	EARTH CONNECTOR 6 PIN	
21	107142761	1	START RELAY RVA4G0C	
22	107141730	1	DISCHARGE RESISTOR 15KOHM/7W	[5]
23	107143134	1	BRACKET FOR CAPACITOR	[5]
24	107143182	1	CAPACITOR 70UF 450/500V RP-3	[6]
25	107141619	1	CAPACITOR 170MF	[5]
26	107143062	1	E-BOX BOTTOM	
27	106268028	1	Exhaust Safety Thermostat Kit	
28	909100149	2	Skruer 5X50	
29	107143098	1	PRIMARY CABLE FOR IGNITION COIL	
30	101117759	1	Tændtransformer 220-240V	[7]
31	101118220	1	2 X IGNITION CORDS KIT	
32	107143056	1	CABLE FOR POWER TRAFO PRIM 230V	
32	107143063	1	CABLE FOR POWER TRANSFORMER PRIM 400V	
32	107143072	1	CABLE F. POWER TRANSFORMER PRIM 230/400	
34B	101117812	1	POWER C.H07RN 3G1.5 BS13 GDN 6.3X0.8 KIT	[8]
34C	101118182	1	POWER CORD H07RN 4G2.5X6M GND 6.3X0.8 NO	[9]
34D	107143126	1	POWER CORD 4X5.5MM2 X9M	[10]
34E	101118222	1	POWER CORD H07RN 4G1,5 CEE5	[11]
35	909100198	1	SCREWED CABLE GLAND M25X1.5	
36	909100020	1	Hexagon Thin Nut M25X1.5 En 50262 P	
37	909100019	1	Møtrik	
38	909100043	1	Kabelafastning	

Part Notes:

- [1] - MH5M-100/760 UK, MH5M-200/960 EU, MH5M-210/1100 EU,
MH6P-175/1250 EU, MH6M-200/1300 EU, MH7P-180/1260 EU
- [2] - MH5M-210/1100 NO, MH7P-180/1260 NO, MH8P-180/2000 EU

- [3] - MH5M-210/1100 EXP, MH6P-200/1300 NO, MH6P-210/1100 JP, MH6P-210/1300 EXP, MH7P-180/1260 JP
- [4] - TSB-PPW-2018-014 MH models Software update
DE TSB-PPW-2018-014 MH-Modele Software Update
- [5] - 1ph
- [6] - 1ph

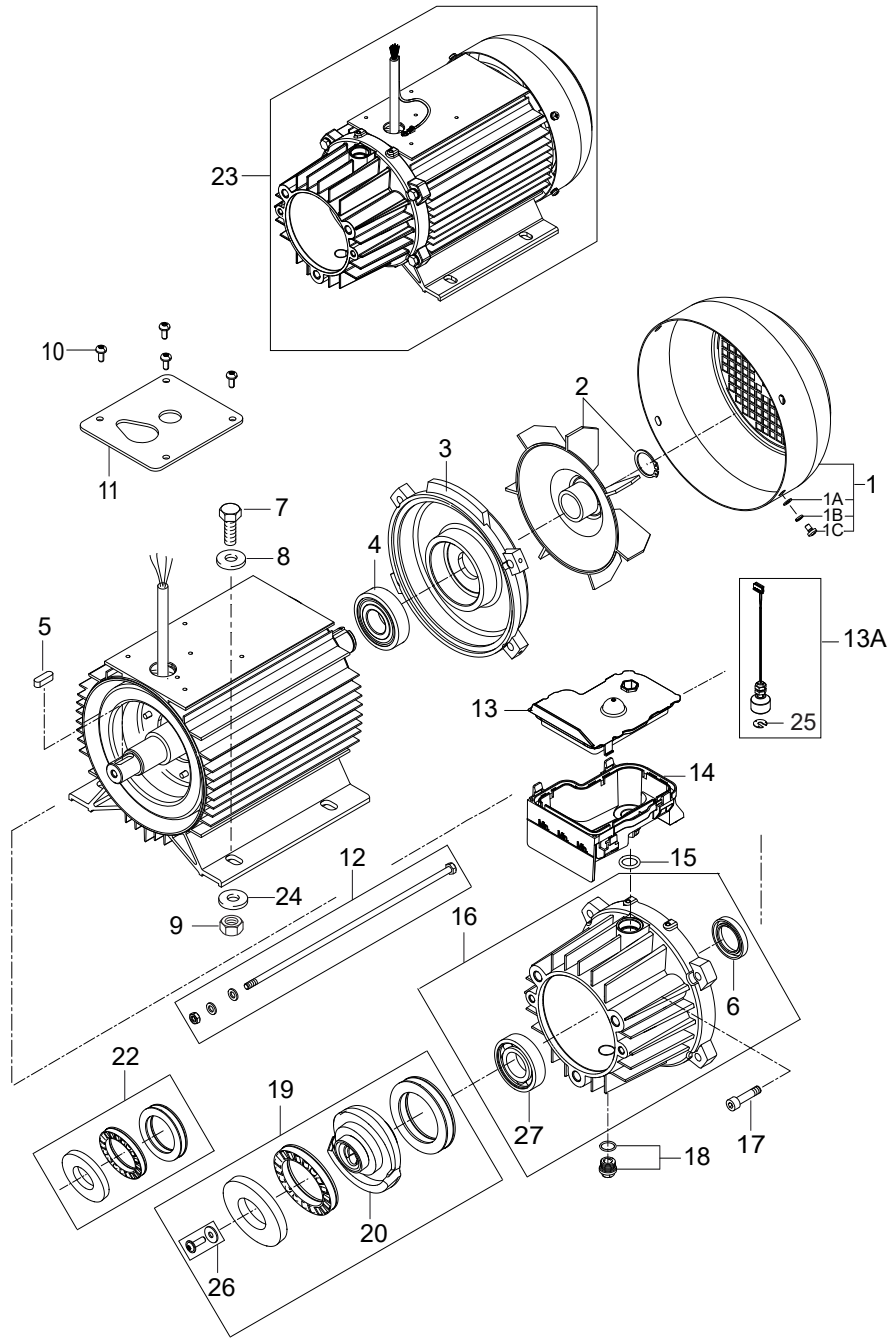
TSB-PPW-2018-003 MH_MC change of start relay and run capacitor
TSB-PPW-2018-003 MH_MC Changement du relais de démarrage et du condensateur de fonctionnement
- [7] - TSB-PPW-2018-004 Boiler cannot start - no ignition
FR TSB-PPW-2018-004 Le bruleur ne démarre plus
DE TSB-PPW-2018-004 Brenner startet nicht - keine Zündung
- [8] - MH5M-100/760 UK
- [9] - MH 5M-210/1100 EXP+NO, MH6P-200/1300 EXP+NO, MH7P-180/1260 NO
- [10] - MH6P-210/1100 JP, MH7P-180-1260 JP
- [11] - MH5M-200/960 EU, MH5M-210/1100 EU, MH6P-175/1250 EU, MH6P-200/1300 EU, MH7P-180/1260 EU



Pos.	Vare-nr	Antal	Beskrivelse	Notes
T1	107143052	2	CABLE FOR POWER TRANSFORMER SEC 6X0.75	
MT	107143070	1	CABLE FOR MT	
K1	107143052	1	CABLE FOR POWER TRANSFORMER SEC 6X0.75	
Exh	107143055	1	CABLE FOR HOT WATER MODE AND EXH. SWITCH	
B2	107143121	1	REED SWITCH NO W/CABLE	
Y1	107143095	1	CABLE FOR SOLENOID VALVE 2X0.5	
Y2	107143037	1	DOSING VALVE RPE 24VAC	
5	101118188	1	MICRO-SWITCH KIT	[1]
B4	107143121	1	REED SWITCH NO W/CABLE	[2]
A3	107143043	1	CABLE FOR TEMPERATURE ADJUSTMENT	
B8	101118214	1	FLOAT SWITCH KIT	
A4	107143038	1	CABLE FOR ADJUSTMENT ANTI SCALE	
B9	107143033	1	LEVEL SENSOR FUEL TANK	
B6	101118173	1	OIL SENSOR W/PLUG KIT	[3]
B7	107143100	1	FLAME SENSOR WITH CABLE	
S1	107143055	1	CABLE FOR HOT WATER MODE AND EXH. SWITCH	
B1	107143083	1	TEMPERATUR SENSOR PT100 W/CABLE	
A2	107143053	1	CABLE FOR UI	
T2	107143098	1	PRIMARY CABLE FOR IGNITION COIL	
M2	107143096	1	MOTOR BURNER - 0.23KW/230V/50HZ/1PH	[4]
M2	107143097	1	MOTOR BURNER 390W/200-240V/50/60HZ	[5]
10	107143054	1	WIRE BLACK L=400	
C3	101117867	1	NOISE FILTER KIT	

Part Notes:

- [1] - NA5 PA
- [2] - FA
- [3] - MI 107309166 JST Connector
- [4] - MH 5M-210/1100 FA 400/3/50 Gerni, MH 5M-210/1100 FAX 400-230/3/50 NO, MH 6P-175/1250 FAX 400/3/50 EUMH 6P-200/1300 FAX 400/3/50 EU, MH 7P-180/1260 FA 400/3/50 EU
- [5] - MH 5M-210/1100 FA 440-220/3/60 EXPT, MH 6P-210/1100 FA 200/3/50-60 JP, MH 6P-195/1350 FA 440-220/3/60 EXPT, MH 7P-180/1260 FA 200/3/50-60 JP



Pos.	Vare-nr	Antal	Beskrivelse	Notes
	31001229	1	OIL ISO 150 ALPHASYN-T 20L	
0	5218433	1	Pumpeolie ISO 150 (1 liter)	[1]
1	107144126	1	FAN COVER RF	
1A	2763	4	Washer 5,3X1	
1B		4	Spring washer Ø5	
1C	1813781	4	SCREW M5X8	
2	107144125	1	FAN W LOCK RING RF	
3	31000148	1	Rear Bearing Cover Rf	
4	31000149	1	Leje, Rf	
5	19639	1	Fjede A	
6	G120414	1	Olietætningsring 30X47X10	
7	1801133	4	Sætskrue M10X25	
8	2767	4	Pakning 10,5X2	
9	8952	4	Møtrik Sekskantet M10	
10	107140881	4	SCREW M5X12 DIN 7985 TORX	
11	107140875	1	SEALING BETWEEN E-BOX AND MPU	[2]
12	31000505	1	STAY BOLT M8X290 RF	
12	31000504	1	STAY BOLT M8X265 RF	
13	107140877	1	OIL CONTAINER TOP	
13A	101118173	1	OIL SENSOR W/PLUG KIT	
14	107143094	1	OIL CONTAINER BOTTOM	
15	107140882	1	O-RING 15.0 X 3.0 SMS 1586 NBR70	
16	107141967	1	D-BEARING COVER COMPLETE NA5.2	
17	107144142	4	Screw Kit Pump Na5	
18	107141982	1	OIL PLUG W/O-RING AND MAGNET NA5.2	
19	101118248	1	WOBBLE DISC 7.74 DEG. BEARING KIT NA5.2	[3]
19	101118243	1	WOBBLE DISC 10.2 DEG. BEARING KIT NA5.2	[4]
19	101118241	1	WOBBLE DISC 12 DEG. BEARING KIT NA5.2	[5]
20	107141990	1	WOBBLE DISC 7.74 DEG. NA5.2	[3]
20	107141964	1	WOBBLE DISC 10.2 DEG. NA5.2	[4]
20	107141966	1	WOBBLE DISC 12 DEG. NA5.2	[5]
22	101118240	1	BEARING KIT FA PA - NA5.2	
23	107141956	1	MOTOR 2.2 KW/230/1 50HZ	[6]
23	107141954	1	MOTOR 5.5 KW 220/230-400/440/3/50/60 EU	[7]
23	107141953	1	MOTOR 6.7KW 220-440/230-400/3 50/60HZ-EU	[8]
24	4827	4	WASHER 10.5X2.5	
25	107142593	1	HOLDING WASHER PE	
26	107142658	1	NA5.2 WD SCREW AND WASHER	
27	107144817	1	BEARING KBC 6206 GB/T818	
	101118265	1	MPU NA5.2 PA 6.7KW/400V/50HZ/3PH/12DEG	[9]

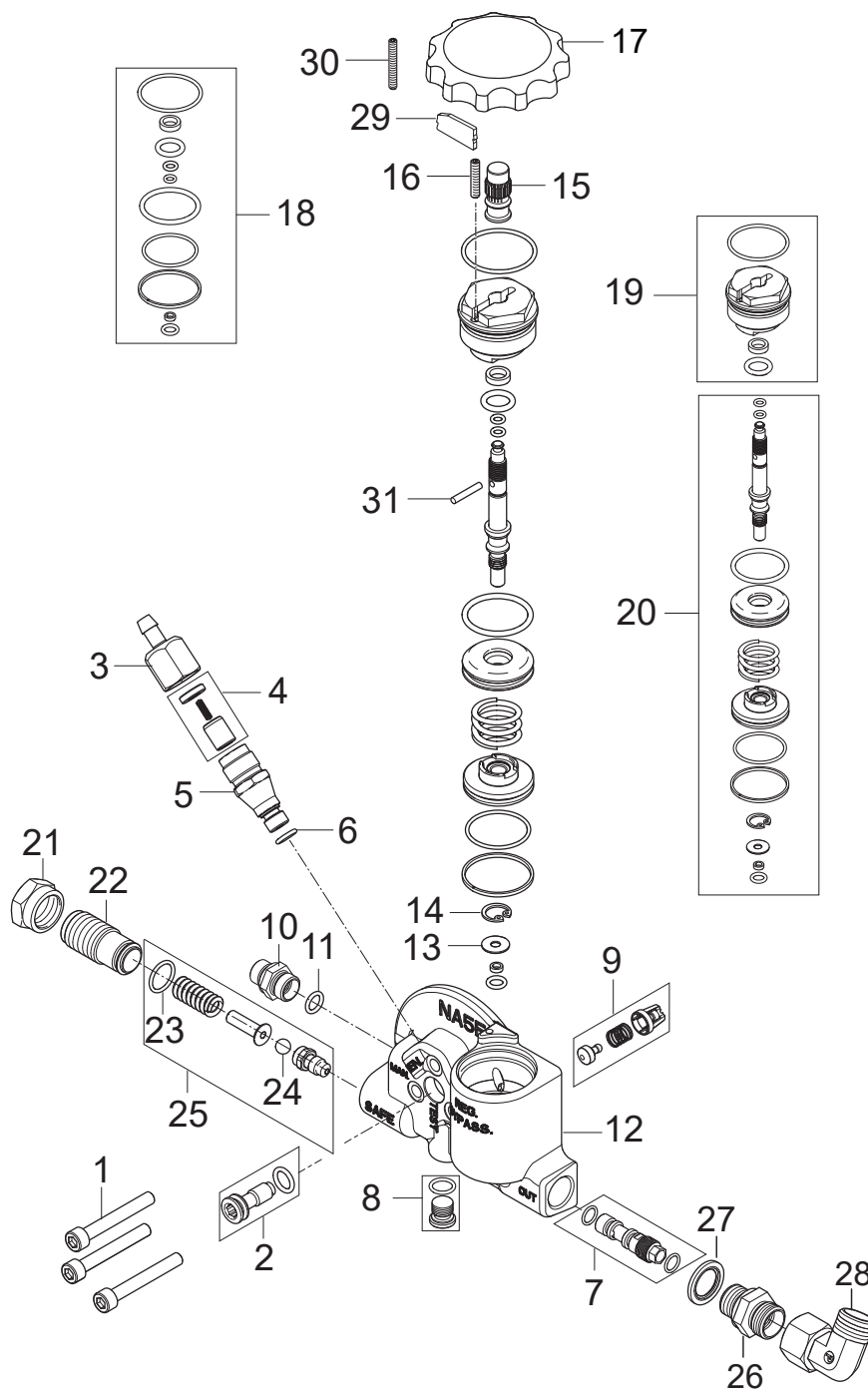
Part Notes:

- [1] - 0,71L - OIL TYPES_QUANTITY for HPW_APRIL 2017
- [2] - TSB-PPW-2018-012 NA5_NA6 mpu. Water enters into the stator.
- [3] - Machine no. 107146941 MH 5M-100/760, 107146942 MH 5M-100/760
- [4] - Machine no. 107146947 MH 5M-200/960, 107146948 MH 5M-200/960, 107146956 MH 5M-210/1100 EXP, 107146944 MH 5M-3000/4,8
- [5] - Machine no. 107146950 MH 5M-210/1100, 107146953 MH 5M-210/1100, 107146959 MH 5M-210/1100, 107146949 MH 5M-210/1100, 107146954 MH 5M-210/1100
- [6] - MH5M-100/760 UK
Also order Gasket for motor, 107140875
- [7] - MH5M-200/960 EU
Also order Gasket for motor, 107140875
- [8] - MH5M-210/1100 EU+NO+Gerni+EXP
Also order Gasket for motor, 107140875
- [9] - MH 5M-210/1100 PAX 400/3/50 EU

Pos.	Vare-nr	Antal	Beskrivelse	Notes
1	101118121	1	VALVE KIT - NA5	
2	101118323	1	WATER SEAL KIT NA5	[1]
3	107144102	1	Oliemanchet Kit - Na5	
4	101118239	1	PISTON KIT - NA5.2	
5	107144104	1	Fjeder Kit - Na5	
6	107141983	1	CYLINDER BLOCK W/ O-RING NA5.2	
9	101118147	1	INLET MANIFOLD KIT NA5	
10	107140919	1	SUPPORT RING NA5 SPARE	
11	107141968	1	CYL.SCREW M12X80 WITH NORDLOCK WASHER	
12	107141969	3	WASHER NLX12SP D12.5XD25.4X4.2MM	
13	107141985	1	CYLINDER HEAD NA5.2 W. SCREWS WASHERS	
14	107141512	1	O-RING D114 X D1.78 NBR 72	
15	4042	2	CYLINDER SCREW M8X40 ISO 4762 8.8 ZN	
16	107143085	1	LOCK PIN	
17	107143092	1	WATER LIMITER (SMALL)	[2]
17	107143000	1	WATER LIMITER (MEDIUM)	[3]
17	107143142	1	WATER LIMITER L	[4]
18	8298	2	Spændebånd	
19	107143031	1	FUELFLEX HOSE D28/D20 10BAR/20°	
20	11654	1	Slangeklemme	
21	106408243	1	HOSE 1/4INCH TRANSPARENT - 5 METERS	
22	107143088	1	O-RING 18.72X2.62	

Part Notes:

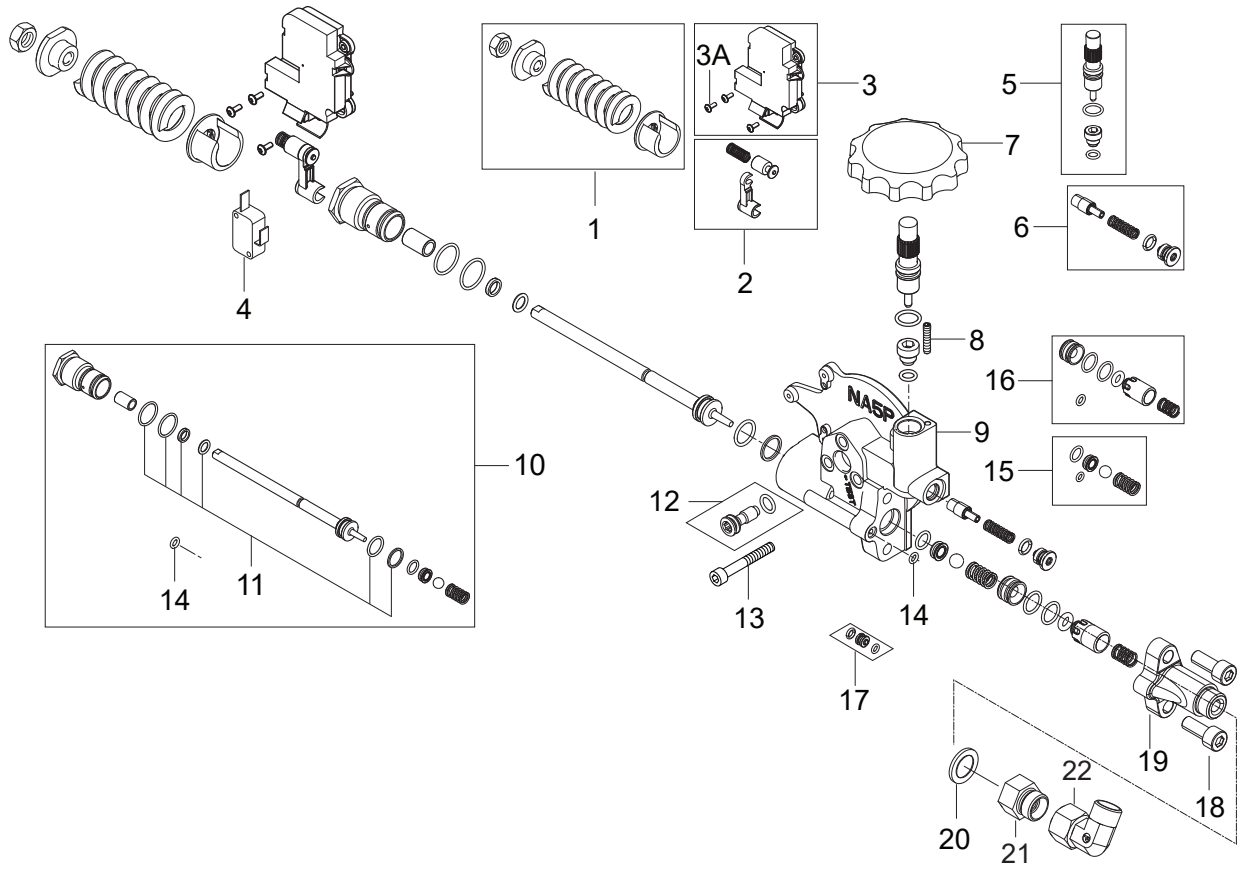
- [1] - TSB-PPW-2020-003 NA5 pump THRUST COLLAR changed
 DE TSB-PPW-2020-003 NA5 Pumpe - Änderung der Druckringe
 TSB-PPW-2020-003 Nouvelles bagues laiton pour pompe NA5
- [2] - MH5M-100/760 UK
- [3] - MH5M-200/960 EU
- [4] - MH 5M-210/1100



Pos.	Vare-nr	Antal	Beskrivelse	Notes
1	5100	3	Screw M6X45	
	107144142	1	Screw Kit Pump Na5	[1]
2	107144137	1	Unloader Plug Na5	
3	6221529	1	Dæksel F. Ventilhus	
4	101118183	1	PISTON KIT FOR VENTING VALVE	
5	101117890	1	Housing For Venting Valve	
6	3001740	1	O-Ring 7,66X1,78 Nitril	
7	107144112	1	Injektør - Na5	
8	101117924	1	Prop For Mpu 1/8	
9	101118184	1	RETURN VALVE BY-PASS - KIT MH	[2]
10	1821	1	Fitting	
11	3001740	1	O-Ring 7,66X1,78 Nitril	
12	107143111	1	NA5 FA BYPASS VALVE MACHINED	
13	106408196	1	WASHER D12.95 X D4.6 X 0.9 BRASS	
14	106408195	1	RETAINING RING SIZE 13 DIN472	
15	106408189	1	NUT M8 X 1 FOR UNLOADER VALVE FA	
16	107146563	1	SCREW POINTED DIN 913 M4X16 FZG	
17	107143003	1	REGULATOR KNOB NA5/NA6 NILFISK	
18	101118050	1	SEALING KIT FOR NA6	
19	101118051	1	PLUG FOR UNLOADER VALVE FA - KIT NA6	
20	101118117	1	CONTROL UNIT - KIT NA5	
21	6100928	1	Kontramøtrik	
22	6100940	1	Justerskrue	
23	3001070	1	O-ring Ø13,1 x 1,6 Nitril	
24	1802644	1	Kugle Ø7 Rf	
25	101118118	1	OPENING VALVE REP. KIT NA5 NA6 FA	
26	1601079	1	Ligeforskruning	
27	1801075	1	Tætningskive 3/8"	
28	101118094	1	COUPLING KIT 90D ISO 8434 M18X1.5 THREAD	
29	107143005	1	PLATE FOR REG. KNOB	
30	107146562	1	DIN 413 M4X30 POINTED SCREW	
31	107146561	1	PIN DIA 3 X 18MM STAINLESS STEEL	

Part Notes:

- [1] - 3x Screw HX M6 x 45 ISO 4762
 2x CYLINDRICAL SCREW M6 X 18
 2x Screw M8x 40 ISO4762 8.8 zn
 4x SCREW M8X35 ISO 4017
- [2] - Spring included: OD8,45 x L16,5 x d0,7



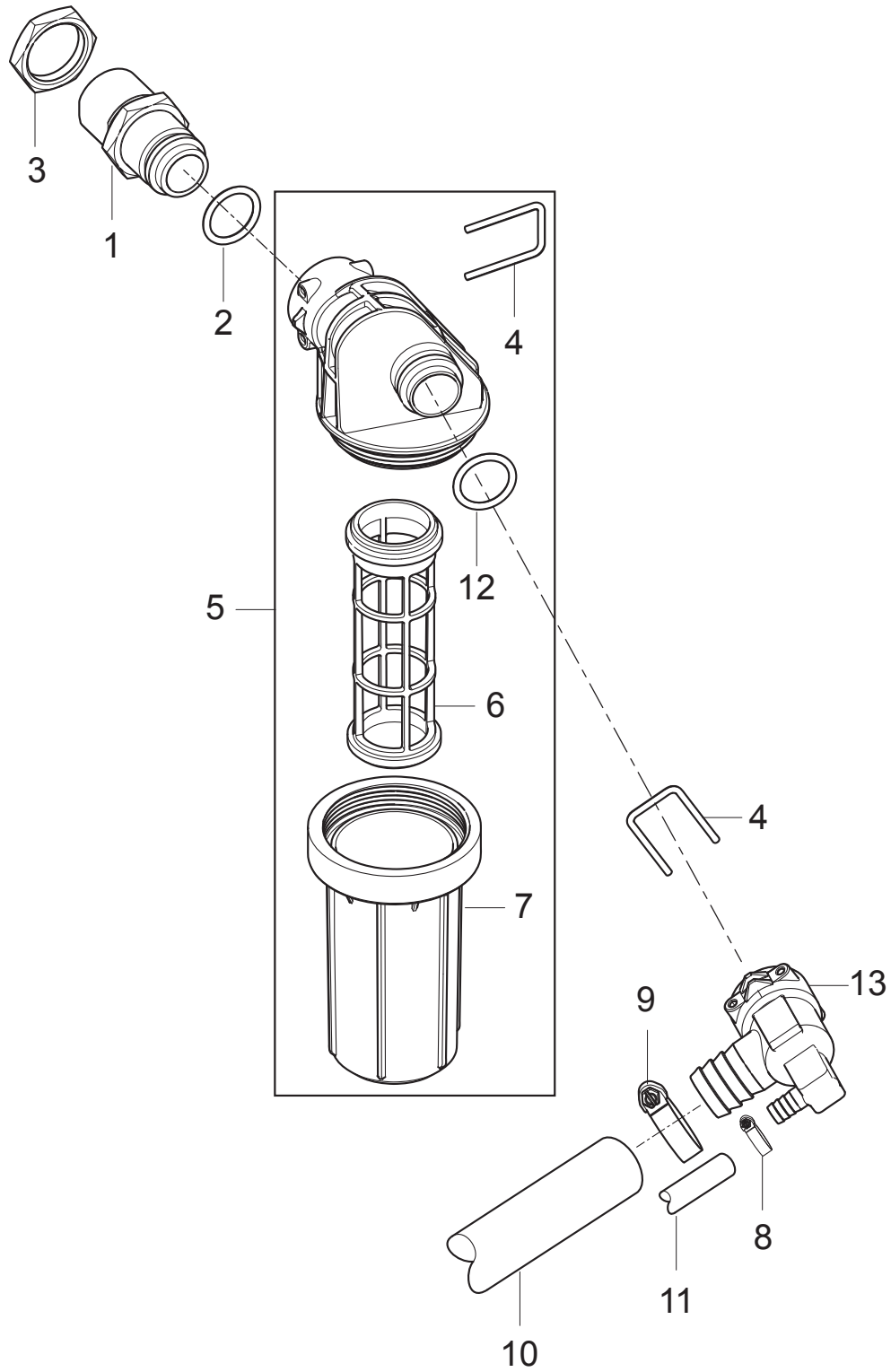
Pos.	Vare-nr	Antal	Beskrivelse	Notes
1	101118091	1	UNLOADER SPRING REP. KIT-PAINTED NA5 PA	
2	101118090	1	MICROSW. ACTIVATION REP. KIT NA5 PA	
3	101118084	1	MICROSWITCH BOX W/O MICROSW. NA5 PA	
3A	107141515	3	SCREW M3X8 ISO7380 FZG TORX 10	
4	101118188	1	MICRO-SWITCH KIT	
5	101118313	1	FLOW REGULATION VALVE KIT	[1]
6	101118315	1	PRESSURE BUILD UP VALVE LOW FLOW KIT	[2]
6	101118314	1	PRESSURE BUILD UP VALVE HIGH FLOW KIT	[3]
7	107143003	1	REGULATOR KNOB NA5/NA6 NILFISK	
8	106408188	1	DIN 913 M4X20 POINTED SCREW	
9	107140884	1	UNLOADER PA NA5	[1]
10	101118294	1	STEM + SEALING REP. KIT NA5/5.2/6/6+ PA	[4]
11	101118083	1	SEAL KIT FOR STEM FOR NA5 PA	
12	107144137	1	Unloader Plug Na5	
13	5100	3	Screw M6X45	
13	107144142	1	Screw Kit Pump Na5	[5]
14	107141514	1	O-RING D4 X D1.5 NBR 90	
15	101118295	1	BYPASS VALVE REP. KIT NA5.2 PA	[4]
16	101118254	1	HOLDING PRESS.V.REP. KIT NA5.2PA - UK AU	[4]
17	101118316	1	DAMPER SEAT WITH O-RING KIT	[1]
18	8894	2	Skruer	
19	107143110	1	NA5 PA OUTLET MACHINED	
20	107143107	1	PACKING RING D23.8XD17.28X2	
21	107143090	1	ADAPTOR IN 3/8 OUT M18X1.5	
22	101118094	1	COUPLING KIT 90D ISO 8434 M18X1.5 THREAD	

Part Notes:

- [1] - TSB-PPW-2020-001 MH 4_MH 5M Damper Valve removed
DE TSB-PPW-2020-001 MH 4 MH 5M Dämpferkolben entfernt
TSB-PPW-2020-001 MH 4M5M_MC 5M machine en version PA. Supression de l'anti bélier
- [2] - MH 5M-100/760

TSB-PPW-2020-001 MH 4_MH 5M Damper Valve removed
DE TSB-PPW-2020-001 MH 4 MH 5M Dämpferkolben entfernt
TSB-PPW-2020-001 MH 4M5M_MC 5M machine en version PA. Supression de l'anti bélier
- [3] - MH 5M-210/1100

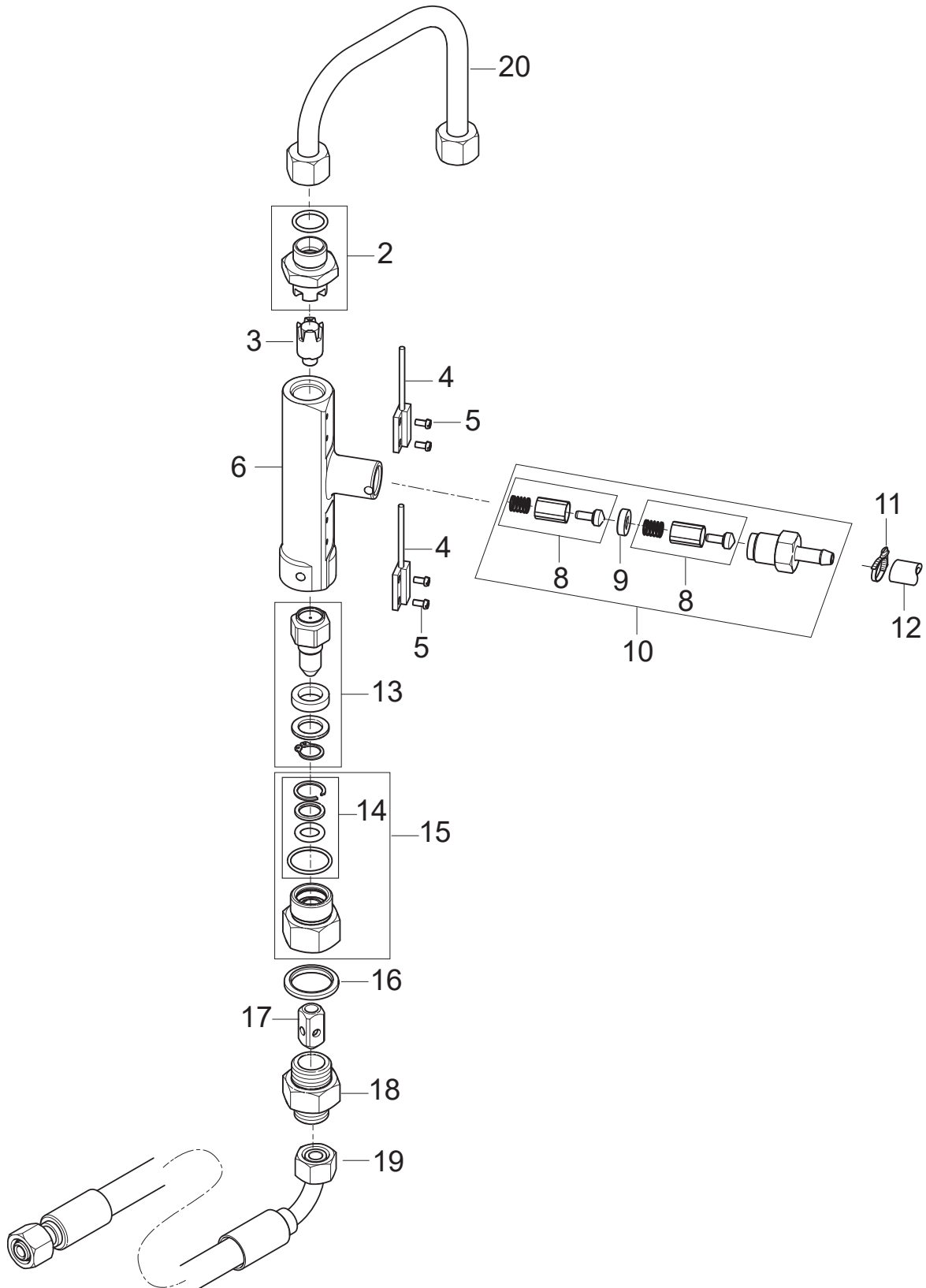
TSB-PPW-2020-001 MH 4_MH 5M Damper Valve removed
DE TSB-PPW-2020-001 MH 4 MH 5M Dämpferkolben entfernt
TSB-PPW-2020-001 MH 4M5M_MC 5M machine en version PA. Supression de l'anti bélier
- [4] - TSB-PPW-2017-005 Low pressure—Unloader valve for NA5.2 pump can leak internally
- [5] - 3x Screw HX M6 x 45 ISO 4762
2x CYLINDRICAL SCREW M6 X 18
2x Screw M8x 40 ISO4762 8.8 zn
4x SCREW M8X35 ISO 4017



Pos.	Vare-nr	Antal	Beskrivelse	Notes
1	107143086	1	FITTING FOR WATER INLET	
2	107143088	2	O-RING 18.72X2.62	
3	1800341	1	"Kontramøtrik 3/4"" "	
4	107143085	2	LOCK PIN	
5	107144272	1	Vandfilter komplet 5000 mm2 50µ	
6	31001100	1	FILTER CARTRIDGE WITHOUT FLANGE	[1]
7	31001011	1	Glas til vandfilter	[1]
8	11654	1	Slangeklemme	
9	8298	1	Spændebånd	
10	107143031	1	FUELFLEX HOSE D28/D20 10BAR/20°	
11	101406100	1	Kemislange, 5 Meter	
12	107143088	1	O-RING 18.72X2.62	
13	107143087	1	WATER INLET FITTING FOR FA	

Part Notes:

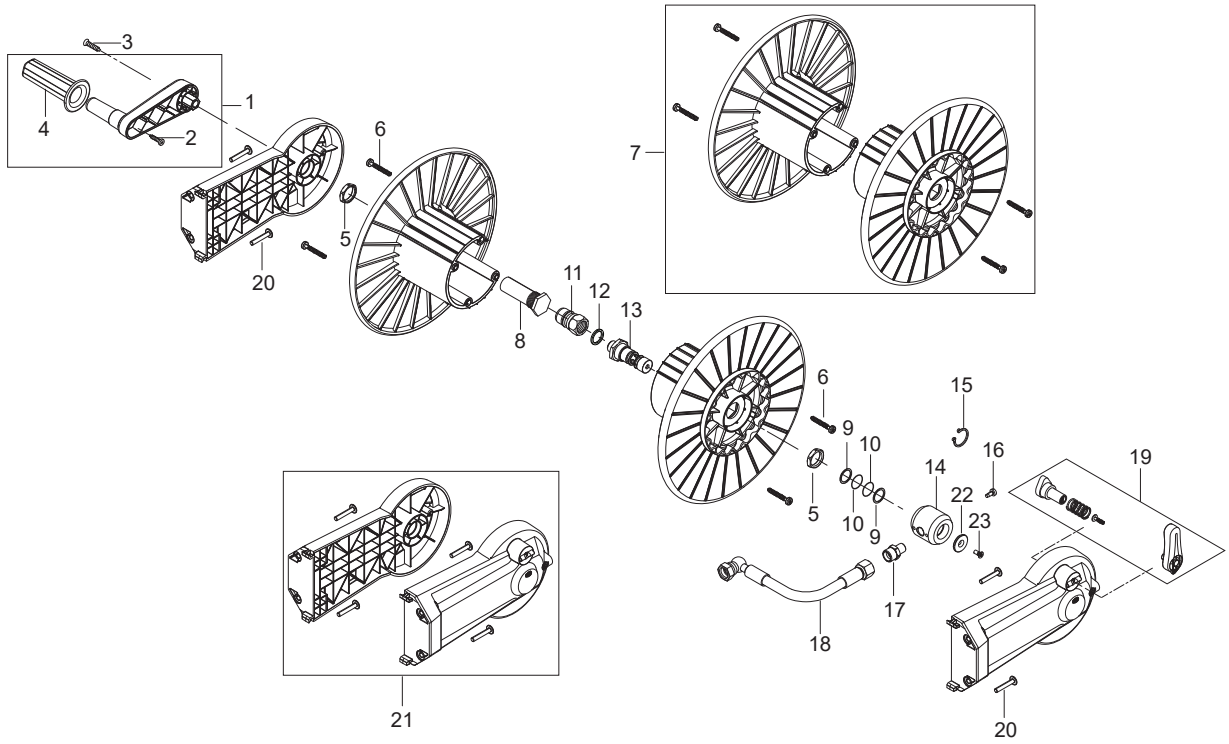
- [1] - TSB-PPW-2020-006 Water inlet filter cartridge and filter glass improved
 DE TSB-PPW-2020-006 Wasserzulauffilter Glas und Filtereinsatz verbessert
 TSB-PPW-2020-06 Cartouche de filtre d'entrée d'eau et bocal de filtre amélioré



Pos.	Vare-nr	Antal	Beskrivelse	Notes
2	101118190	1	MALE STUD M18X1.5 KIT	
3	101118055	1	MAGNET AND HOUSE FOR FLOW SWITCH-KIT NA6	
4	107143121	2	REED SWITCH NO W/CABLE	
5	101118033	4	Screw M3X6 Brass Din 84 Iso 1207 Kit	
6	101118308	1	FLOW CONTROL HOUSING FA	
8	1119566	2	Rep. sæt kontraventil	
9	6201535	1	Sæde til kontraventil	
10	1119318	1	Rep. sæt til kontraventil	
11	11654	2	Slangeklemme	
12	101406100	0.92	Kemislange, 5 Meter	
13	101117896	1	Non Return Valve W/Magnet	[1]
14	101118191	1	SEALING KIT FOR MALE STUD	
15	101118230	1	MALE STUD F.NON-RET.VALVE 1/2	
16	1807932	1	Selvtættende Spændeskive	
17	6101038	1	Stempel	
18	107143155	1	PISTON HOUSING 1/2	
19	107143171	1	HP HOSE DN10 3/8 DKL/DKL 90DEG M18X1.5	[2]
20	107143188	1	PIPE FLOW CONTROL NA6/B5	[3]
19+20	101118322	1	HP HOSE AND CONNECTION PIPE NA6/B5 KIT	

Part Notes:

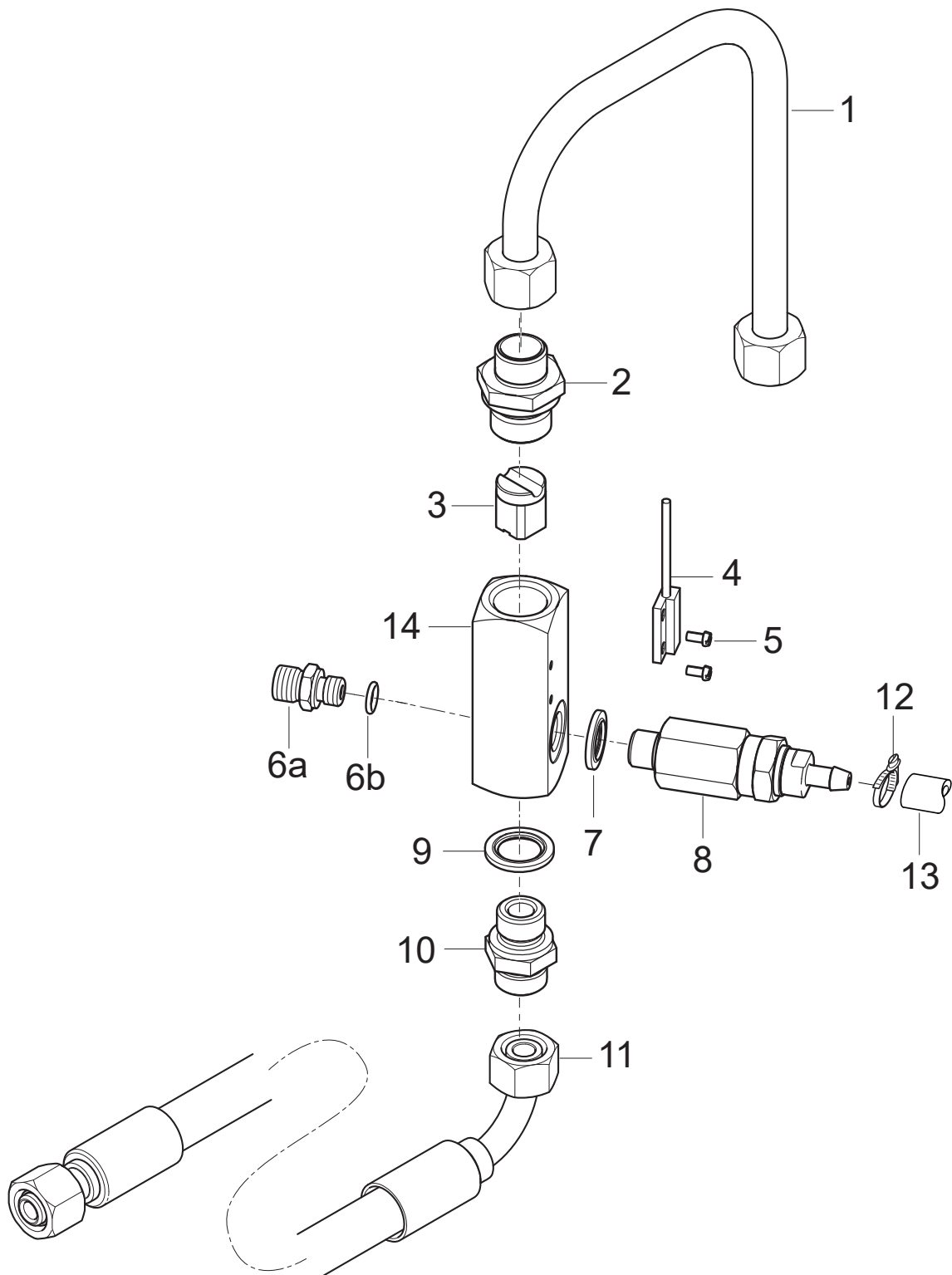
- [1] - TSB-PPW-2016-012 MH 4M FA None return valve 101117896 get stocked
DE TSB-PPW-2016-012 MH 4M FA Strömungskolben 101117896 blockiert
- [2] - MH5, MH 6P-175/1250, MH 6P-210/1100
- [3] - MH5, MH 6P



Pos.	Vare-nr	Antal	Beskrivelse	Notes
0	106403184	1	Slangerulle	
1	101118215	1	HÅNDTAG SLANGERULLE	
2	107141838	2	SCREW K50X18 WN1451 BLACK TORX20	
3	107141673	1	SCREW M6X45 ISO 7380 BLACK TORX	
4	107143007	1	ROTATING HANDLE FOR HOSE REEL NILFISK	
5	62696	2	Møtrik	
6	909100153	4	Ejot-Skrue K60X40	
7	101118209	1	HOSE REEL SIDE KIT	
8	107141675	1	AXLE FOR HOSE REEL	
9	107143017	2	BACK-UP RING	
10	19620	2	O-ring	
11	1600493	1	Ergo højtryksskobling DN10 3/8" han	
12	1801075	1	Tætningsskive 3/8"	
13	107143123	1	SWIVEL FOR HOSE REEL	
14	101118317	1	BEARING BUSH KIT	[1]
15	1802057	1	Circlip external 20x1.2 Spring steel, bl	[2]
16	107141690	1	SCREW M5X12 DIN7985 TORX TAPTITE	
17	54590	2	Forskruning	
18	107143114	1	CONNECTION HOSE DN8 FOR HOSE R	
19	101118212	1	Ø20KE HANDLE FOR HOSE REEL NILFISK KIT	
20	107143010	4	SCREW M6X35	
21	101118208	1	HOSE REEL ADAPTOR KIT	
22	107143125	1	WASHER 25 FOR COUNTERSUNK M5	[3]
23	107143124	1	COUNTERSUNK M5X12 ISO 14581	[3]
		1	Mounting instr. for Hose Reel Nilfisk	[4]

Part Notes:

- [1] - TSB-PPW-2019-005 MH Hose Reel Screw 107143124 can break
DE TSB-PPW-2019-005 MH Schlauchtrommel Schraube 107143124 kann brechen
TSB-PPW-2019-005 vis cassée à l'enrouleur des MH
- [2] - Up to 07.2016
- [3] - TSB-PPW-2016-018 MH 4M Hose Reel Circlip
- [4] - Mounting instructions MH Nilfisk hose reel

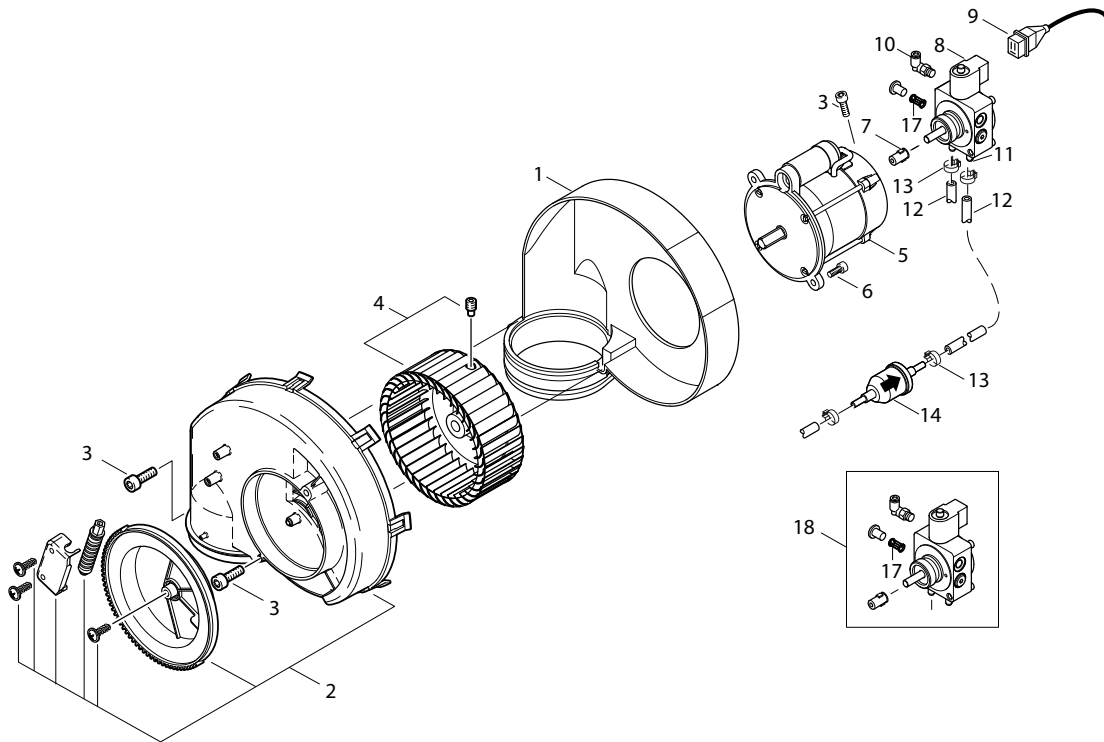


mai

Pos.	Vare-nr	Antal	Beskrivelse	Notes
1	107143187	1	PIPE FLOW CONTROL NA5 PA/B5	
1+11	101118321	1	HP HOSE AND CONNECTION PIPE NA5 PA/B5	
2	107143122	1	THREADED CONNECTION D12X1/2 INCH	
3	101117798	1	Magnet Housing Cpl. Kit	
4	107143121	1	REED SWITCH NO W/CABLE	
5	101118033	2	Screw M3X6 Brass Din 84 Iso 1207 Kit	
6a	1821	1	Fitting	
6b	3001740	1	O-Ring 7,66X1,78 Nitril	
7	1803493	1	Tætningsskive f. 1/4" RG	
8	101118290	1	OPENING PRESSURE VALVE 146 BAR KIT	[1]
8	101118292	1	OPENING PRESSURE VALVE 250 BAR KIT	[2]
9	1801075	1	Tætningsskive 3/8"	
10	1601079	1	Ligeforskruning	
11	107143171	1	HP HOSE DN10 3/8 DKL/DKL 90DEG M18X1.5	
12	11654	2	Slangeklemme	
13	101406100	1	Kemislange, 5 Meter	
14	101118306	1	FLOW CONTROL HOUSING PA	

Part Notes:

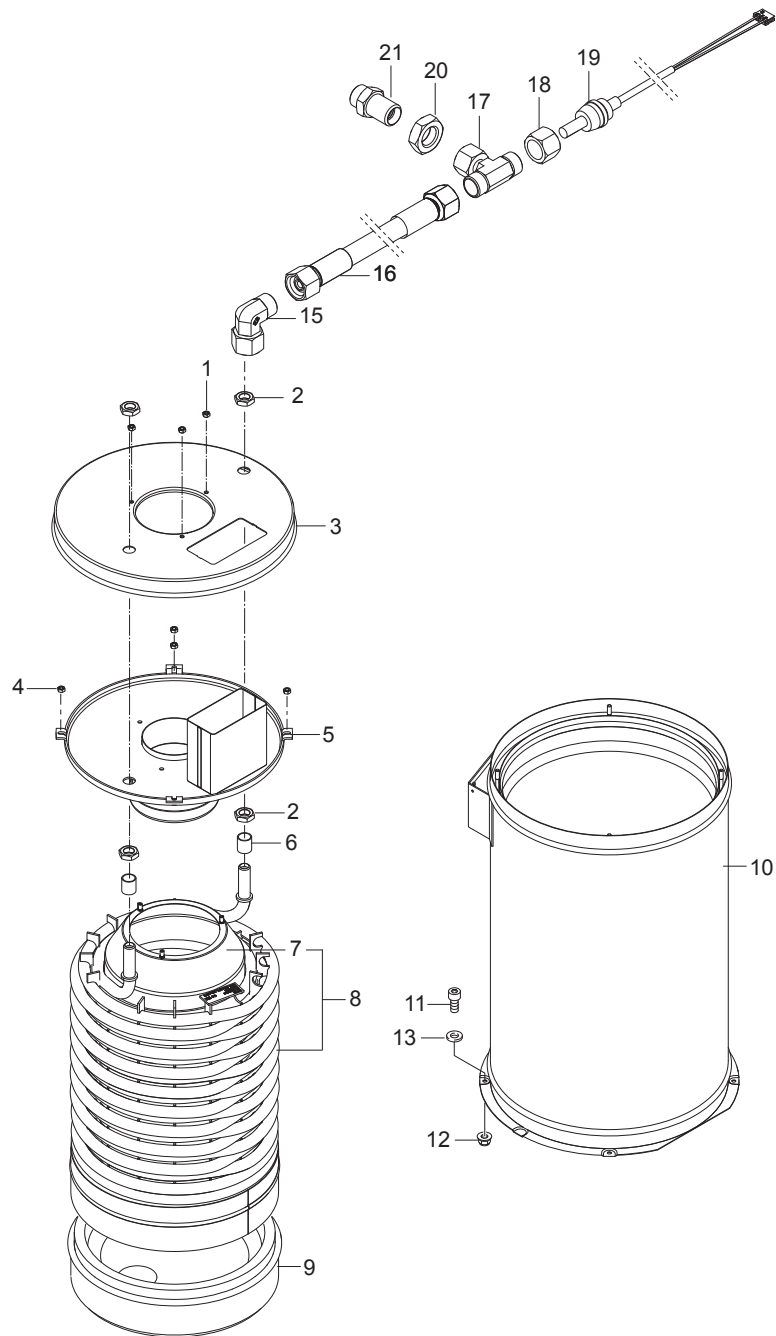
- [1] - MH 5M-100/760 PA
 [2] - MH 5M-210/1100 PA



Pos.	Vare-nr	Antal	Beskrivelse	Notes
1	301000495	1	Kedelblæse Hus	
2	301000852	1	Dæsel For Kedelblæserhus	
3	32535	3	SCREW M5X16	
4	301000889	1	Kedelblæsehjul	
4	301002126	1	FAN WHEEL	[1]
5	107143179	1	MOTOR BURNER 350W/110-120V/50/60HZ	[2]
5	107143096	1	MOTOR BURNER - 0.23KW/230V/50HZ/1PH	
5	107143097	1	MOTOR BURNER 390W/200-240V/50/60HZ	[1]
6	4697	2	SCREW M6X16	
7	101117707	1	Coupling For Oil Pump Bfa 01 L3L	
8	3821089	1	Spole (Danfoss)	
9	107143095	1	CABLE FOR SOLENOID VALVE 2X0.5	
10	101117706	1	Push-In Angle Fitting	
11	101117777	1	HOSE CONNECTIONS FOR OIL PUMP BFA 01 L3	
12	106408244	1	Slange Ø6X2.5 - 5 meter	
13	301001133	2	Slangeklemme Ø10/7	
14	301002926	1	Filter	
17	31001081	1	FILTER FOR OIL PUMP	
18	101117673	1	Oilepumpe Incl. Fittings	

Part Notes:

- [1] - JP, EXPT
 [2] - MH 3C



Pos.	Vare-nr	Antal	Beskrivelse	Notes
1	3136	3	Møtrik	
2	7012	4	Møtrik	
3	31001162	1	OUTER BOILER TOP B5 - B7	
4	12263	4	HEXAGON NUT M6	
5	31001163	1	INSIDE BOILER TOP CPL B5	
6	301000582	2	BUSHING Ø22X1.5X24	
7	301000541	1	Flammerør NEPTUNE 5+7	
8	31001164	1	COIL WELDED B5	
8	107143301	1	COIL B5 SS, MH	[1]
9	301000916	1	Isolation	[2]
10	31001165	1	BOILER JACKET B5	
11	4697	2	SCREW M6X16	
12	11619	2	Møtrik M6	
13	107143146	2	WASHER SERRATED M6	
15	101118094	1	COUPLING KIT 90D ISO 8434 M18X1.5 THREAD	
16	107143147	1	HP HOSE DN10 560 DKL-DKL	
17	101118093	1	T-FITTING M18 X 1.5 THREAD	
18	1081	1	Tilslutningsmøtrik, Galv.	
19	107143083	1	TEMPERATUR SENSOR PT100 W/CABLE	
20	1803220	1	Kontramøtrik M18X1,5	
21	107143082	1	OUTLET FITTING	

Part Notes:

- [1] - TSB-PPW-2017-011 Stainless Steel heat exchangers new stay material and new spare part numbers
 [2] - TSB-HPW-2021-002 Chamotte stones in insulation removed

