

# PARTS LIST

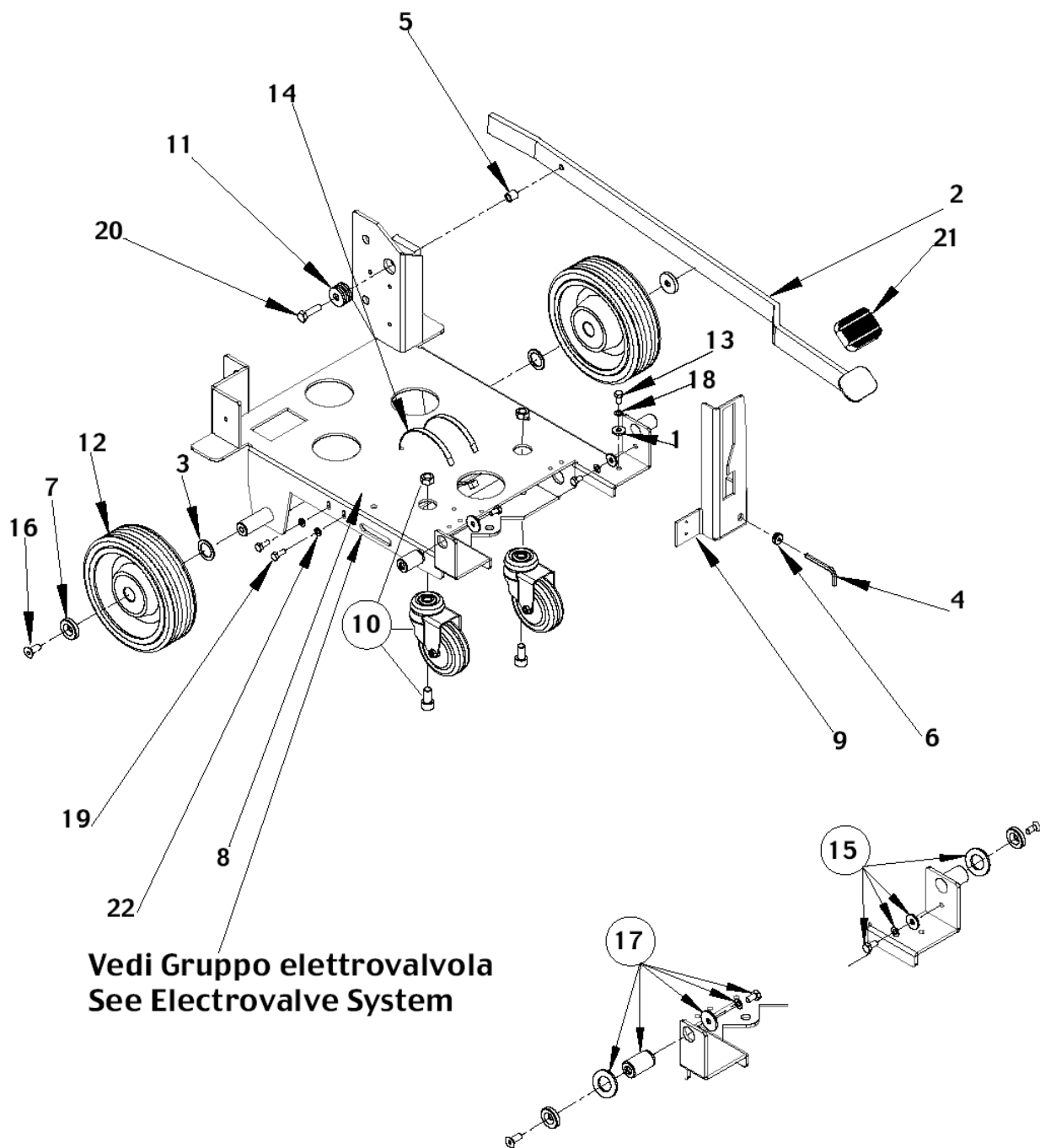


2021.03.23

# TABLE OF CONTENTS

---

Chassissystem BA 430S D/510S D .....	1
Opløsningssystem BA 430S/510S før serienummer 032004955 .....	3
Solution system - before serial no. 032004955 .....	5
Solution system - from serial no. 032004955 to 044042196 .....	7
Solution system - from serial no. 044012196 .....	9
Solution system .....	11
Squeegee assembly .....	13
Brush system 1 .....	15
KONTROLPANELSYSTEM BA430S/510S + BA 430S D/ 510S D .....	17
Ledningsdiagram BA 430S/510S .....	19
General view .....	21
Control panel system .....	23
Wiring system 1 .....	25
Wiring system 2 .....	27
Wiring system 3 .....	29
Wiring diagram 1 .....	31
Wiring diagram 2 .....	33
Recommended spare parts 1 .....	35
Recommended spare parts 2 .....	37
Tank system .....	39
Handle assembly .....	42



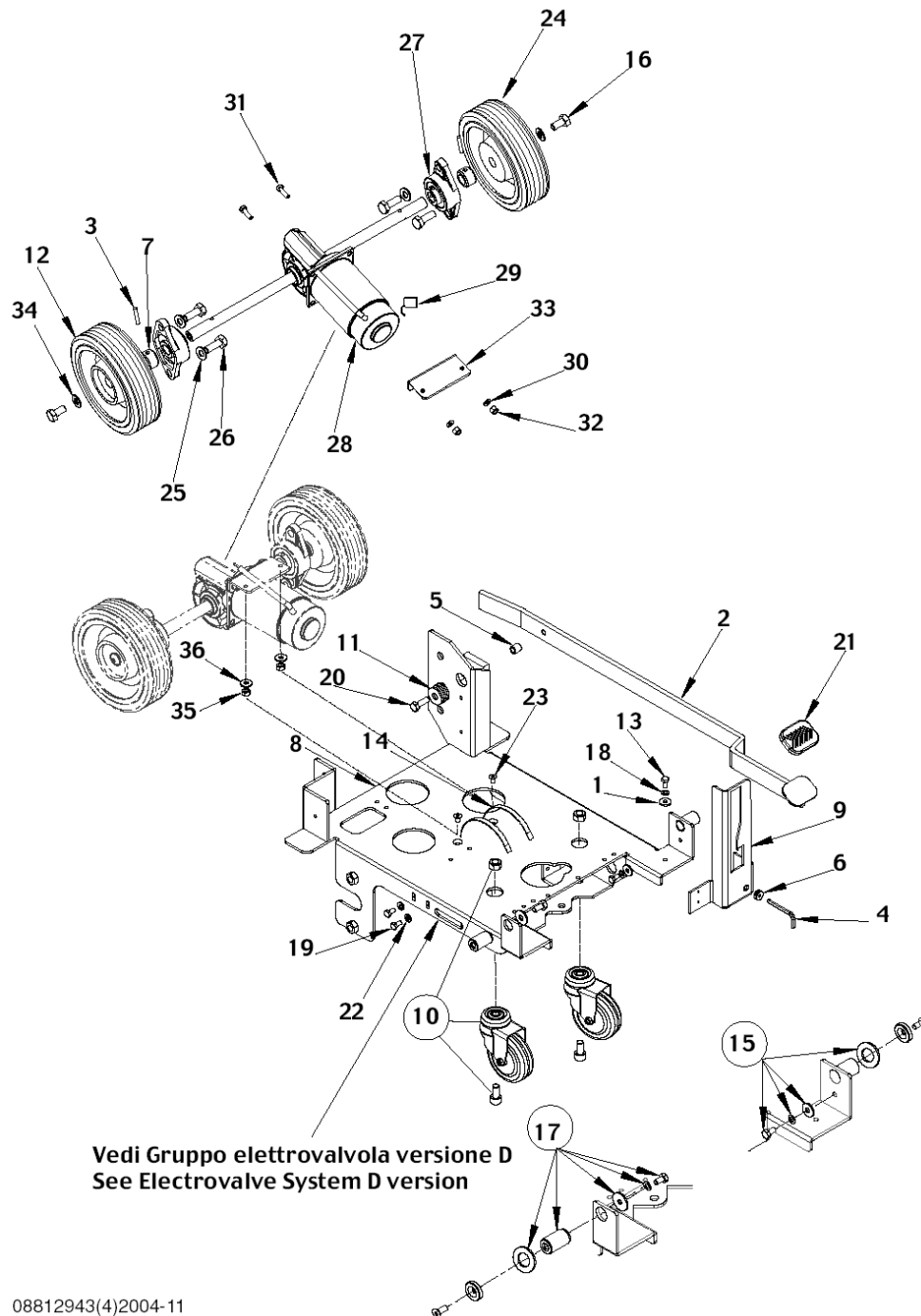
Pos.	Vare-nr	Antal	Beskrivelse	Notes
1	1466530000	1	WASHER PLAIN M6X18 ISO7093 10 PCS SET	
2	L08812925	1	PEDAL.BRUSH LIFTING	[1]
3	L08812936	2	Skive Ba430	[1]
7	L08063800	1	ALLEN WRENCH 5 MM	[2]
8	L08812324	1	Sleeve Ba450/530	[1]
7	L08812388	1	Grommet	[1]
7	9100002136	1	WASHER COUNTERSUNK 9X30 H.6 - 2 PCS SET	
8A	909 5152 000	1	FRAME	[3]
9	L08812893	1	GUIDE.BRUSH PEDAL	[1]
10	L08603861	2	Hjul Bagerst Kit BA/CA 430/510	[4]
11	33023208	3	WASHER M8 UNI6592 10 PCS SET	
12	L08812939	2	Hjul, Front Ba430	
13	L08326100	2	SCREW M6X12 HEX HD ISO4017 SCOTCH-GRIP	[5]
14	145 0541 000	2	TIE CABLE 7.6X290 BLACK	[1]
15	L08603862	1	SUPPORT.TANK RIGHT KIT BA/CA 430/510 R	[1]
16	33023206	2	SCREW M8X20 C/SUNK ISO10642 10 PCS SET	[2]
17	L08603863	1	Tank Support Venstre Kit Ba/Ca 430/510	[1]
18	33005851	2	Skive M6 Uni1751B	
19	33023255	2	SCREW M6X16 HEX ISO4017 10 PCS SET	
20	L08367300	1	Screw M8X25, Vz Ba450/530	[1]
21	145 8478 000	1	Pedalgummi	
22	33023396	2	WASHER PLAIN M6X12 ISO7089 10 PCS SET	

## Part Notes:

- [1] - GUARANTEE DATE EXPIRED  
 [2] - NO LONGER AVAILABLE  
 [3] - GUARANTEE DATE EXPIRED

TSB IT 2004-003TSB IT 2004-003. New brush deck

- [4] - Kit includes 1 wheel only.  
 [5] - STOCK COVERS GUARANTEE



08812943(4)2004-11

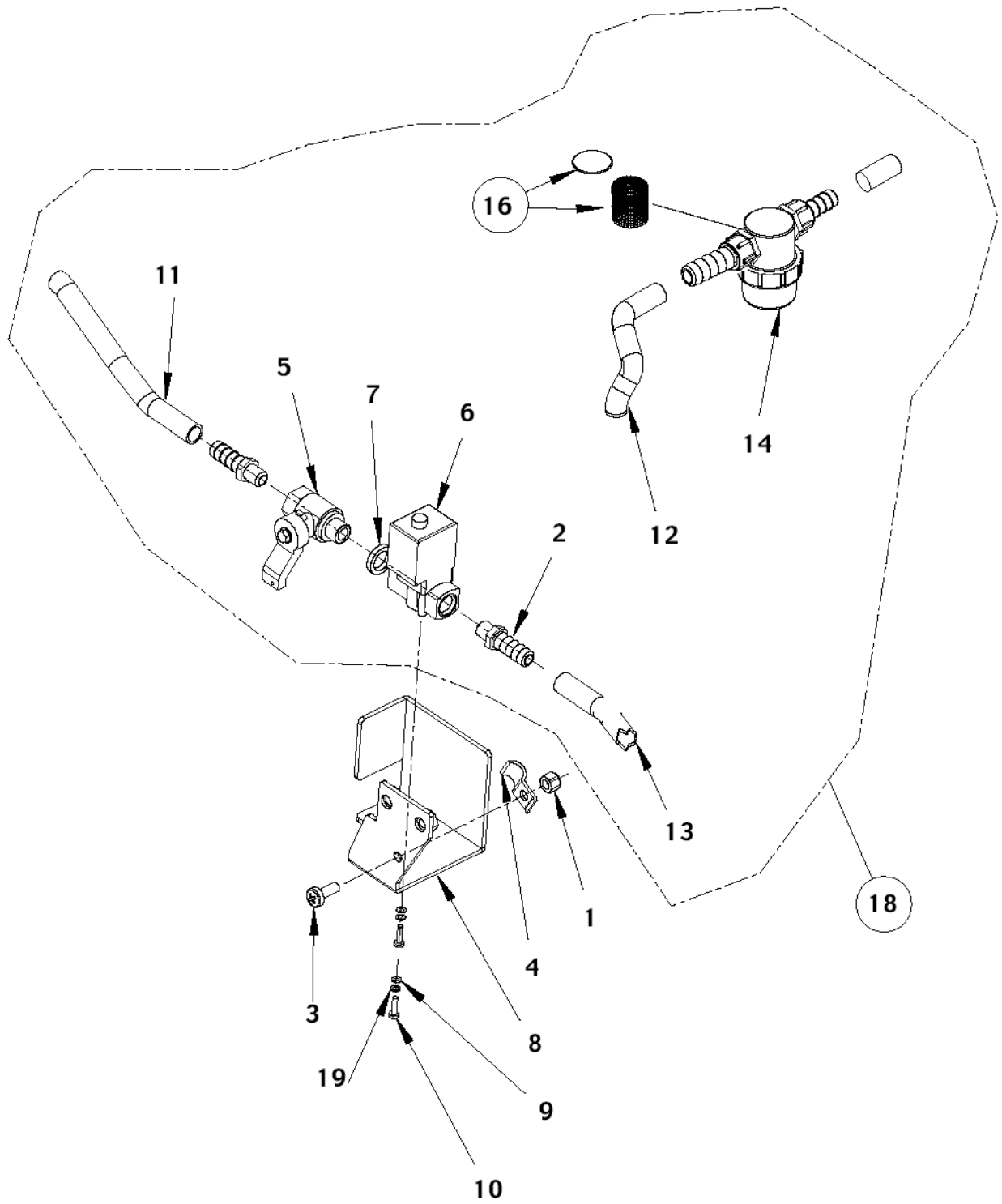
**Resource notes:**

Note: Pos. 28 (a) Old reduction motor 909 5115 000 valid before serial number 03380927 has been replaced from the kit code number 909 5273 000 which includes a pin and a bush (ODM 1542) Pos. 28 (b) New reduction motor code number 909 5271 000 starts from serial number 03380927

Pos.	Vare-nr	Antal	Beskrivelse	Notes
01	1466530000	2	WASHER PLAIN M6X18 ISO7093 10 PCS SET	
02	L08812925	1	PEDAL.BRUSH LIFTING	[1]
03	145 4546 000	2	Pin E. 5X30. (Min 10 Box)	[2]
04	L08063800	1	ALLEN WRENCH 5 MM	[2]
05	L08812324	1	Sleeve Ba450/530	[1]
06	L08812388	1	Grommet	[1]
07	909 5272 000	2	Bøsning	[1]
08	909 5128 000	1	FRAME	[1]
09	L08812893	1	GUIDE.BRUSH PEDAL	[1]
10	L08603861	2	Hjul Bagerst Kit BA/CA 430/510	[3]
11	33023208	3	WASHER M8 UNI6592 10 PCS SET	
12	909 5112 000	1	Hjul, Venstre Ba430/510D	
13	L08326100	2	SCREW M6X12 HEX HD ISO4017 SCOTCH-GRIP	[4]
14	145 0541 000	2	TIE CABLE 7.6X290 BLACK	[1]
15	L08603862	1	SUPPORT.TANK RIGHT KIT BA/CA 430/510 R	[1]
16	33004008	2	SCREW M10X20 HEX HD F/THD ISO4017	[2]
17	L08603863	1	Tank Support Venstre Kit Ba/Ca 430/510	[1]
18	33005851	2	Skive M6 Uni1751B	
19	33023255	2	SCREW M6X16 HEX ISO4017 10 PCS SET	
20	L08367300	1	Screw M8X25, Vz Ba450/530	[1]
21	145 8478 000	1	Pedalgummi	
22	33023396	2	WASHER PLAIN M6X12 ISO7089 10 PCS SET	
23	33004576	2	SCREW M6X16 C/SUNK FLAT HD HEX ISO10642	
24	909 5111 000	1	Hjul, Højre Ba430/510D	
25	33005843	4	WASHER M10 UNI1751B	
26	33004010	4	SCREW M10X30 HEX HD F/THD ISO4017	
27	909 5131 000	2	Holder For Hjul Ba430/510	[1]
28A	909 5273 000	1	Køremotor Kit	[1]
28B	909 5271 000	1	Reduction Gearmotor 130W	[1]
29	1464434000	1	CARBON BRUSH 2 PCS SET	
30	33023208	2	WASHER M8 UNI6592 10 PCS SET	
31	33023470	2	SCREW M6X20 HEX HD ISO4017 10 PCS SET	
32	33023667	2	NUT LOCK HEX M6 LOW ISO10511 5 PCS SET	
33	909 5129 000	1	BRACKET	[1]
34	33023224	2	WASHER PLAIN M10 ISO7089 10 PCS SET	
35	33023183	1	NUT HEX M6 LOW ISO4035 10 PCS SET	[2]
36	33023396	2	WASHER PLAIN M6X12 ISO7089 10 PCS SET	

## Part Notes:

- [1] - GUARANTEE DATE EXPIRED
- [2] - NO LONGER AVAILABLE
- [3] - Kit includes 1 wheel only.
- [4] - STOCK COVERS GUARANTEE

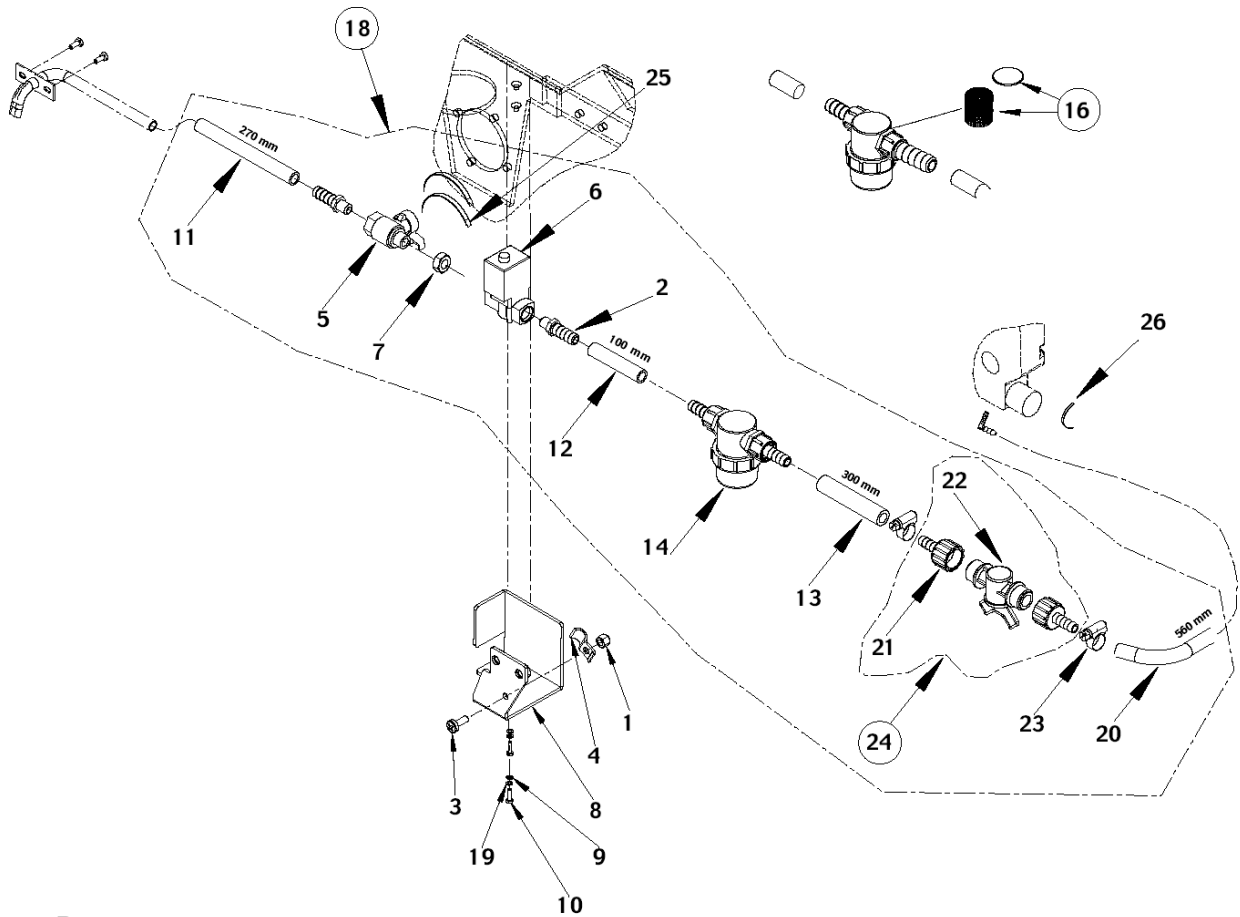


Pos.	Vare-nr	Antal	Beskrivelse	Notes
01	33023667	1	NUT LOCK HEX M6 LOW ISO10511 5 PCS SET	
02	L08601624	2	Slangestuds Plast	
03	33023255	1	SCREW M6X16 HEX ISO4017 10 PCS SET	
04	L08812352	1	Clamp Ba450/530	[1]
05	L08812427	1	Magnetventil	[2]
06	L08812960	1	Magnetventil 24V	
07	L08812257	1	Locknut Ba450/530	[1]
08	L08812974	1	Holder, Magnetventil Ba510	[1]
09	L08812986	2	WASHER SPRING LOCK M3 SS DIN127-B	[1]
10	L08603895	2	SCREW M3X12 HEX HD F/THD SS ISO4017	[3]
11	L08603854	1	Slange D.10 L=270	[1]
12	L08603855	1	Rentvandslange F/Filter	[2]
13	L08603853	1	HOSE PVC W/SPIRAL D.10X16 L.150MM	[1]
14	9097166000	1	Filter Complete Kit	
16	L08603893	1	Filternet+Pakn. Til 909 5151 000	
18	L08603865	1	Magnetventil Kompl. BA 430/510	[3]
19	L08812097	2	Washer 3,2 Plated Washer	[1]

## Part Notes:

- [1] - GUARANTEE DATE EXPIRED
- [2] - STOCK COVERS GUARANTEE
- [3] - NO LONGER AVAILABLE





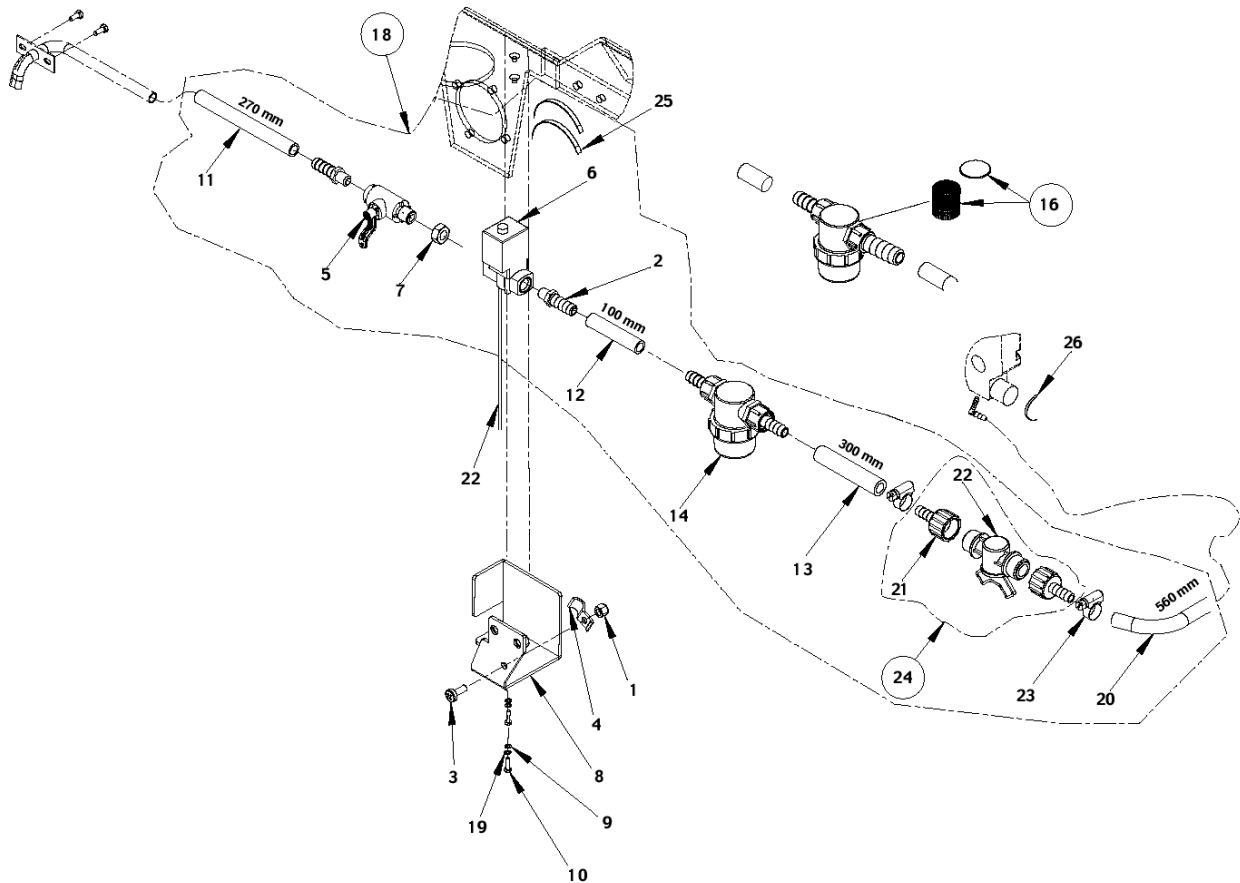
Resource notes:

Note: Pos. 18 (a) kit to be kept for scrubbers before serial number 032004955 Pos. 18 (b) kit to be used for scrubbers after serial number 032004955 TSB IT 2003-007 TSB IT 2003-007 rev 2. Water tap

Pos.	Vare-nr	Antal	Beskrivelse	Notes
01	33023667	1	NUT LOCK HEX M6 LOW ISO10511 5 PCS SET	
02	L08601624	2	Slangestuds Plast	
03	33023255	1	SCREW M6X16 HEX ISO4017 10 PCS SET	
04	L08812352	1	Clamp Ba450/530	[1]
05	L08812427	1	Magnetventil	[2]
06	L08812960	1	Magnetventil 24V	
07	L08812257	1	Locknut Ba450/530	[1]
08	L08812974	1	Holder,Magnetventil Ba510	[1]
09	L08812986	2	WASHER SPRING LOCK M3 SS DIN127-B	[1]
10	L08603895	2	SCREW M3X12 HEX HD F/THD SS ISO4017	[3]
11	L08603854	1	Slange D.10 L=270	[1]
12	909 5026 000	1	Slange, D 10 L=100 mm	
13	909 5025 000	1	HOSE PVC W/SPIRAL D.10X16 L.300MM	[1]
14	9097166000	1	Filter Complete Kit	
16	L08603893	1	Filternet+Pakn. Til 909 5151 000	
18A	L08603865	1	Magnetventil Kompl. BA 430/510	[4]
18B	909 5030 000	1	SOLENOID VALVE KIT CPL.	[5]
19	L08812097	2	Washer 3,2 Plated Washer	[1]
20	L08603855	1	Rentvandsslange F/Filter	[2]
21	909 5022 000	2	Holder,Gummi	[2]
22	909 5023 000	1	Ventil Ba450-610	[2]
23	33023593	4	CLAMP HOSE 8-16/9 DIN3017 2 PCS SET	
24	909 5787 000	1	VALVE W PIPE HOLDER KIT BA/CA 430/510/4	[2]
25	145 0524 000	2	Black Clamp 4,8X200	
26	145 0541 000	1	TIE CABLE 7.6X290 BLACK	[1]

## Part Notes:

- [1] - GUARANTEE DATE EXPIRED
- [2] - STOCK COVERS GUARANTEE
- [3] - NO LONGER AVAILABLE
- [4] - TSB IT 2003-007  
NO LONGER AVAILABLE
- [5] - TSB IT 2003-007  
GUARANTEE DATE EXPIRED



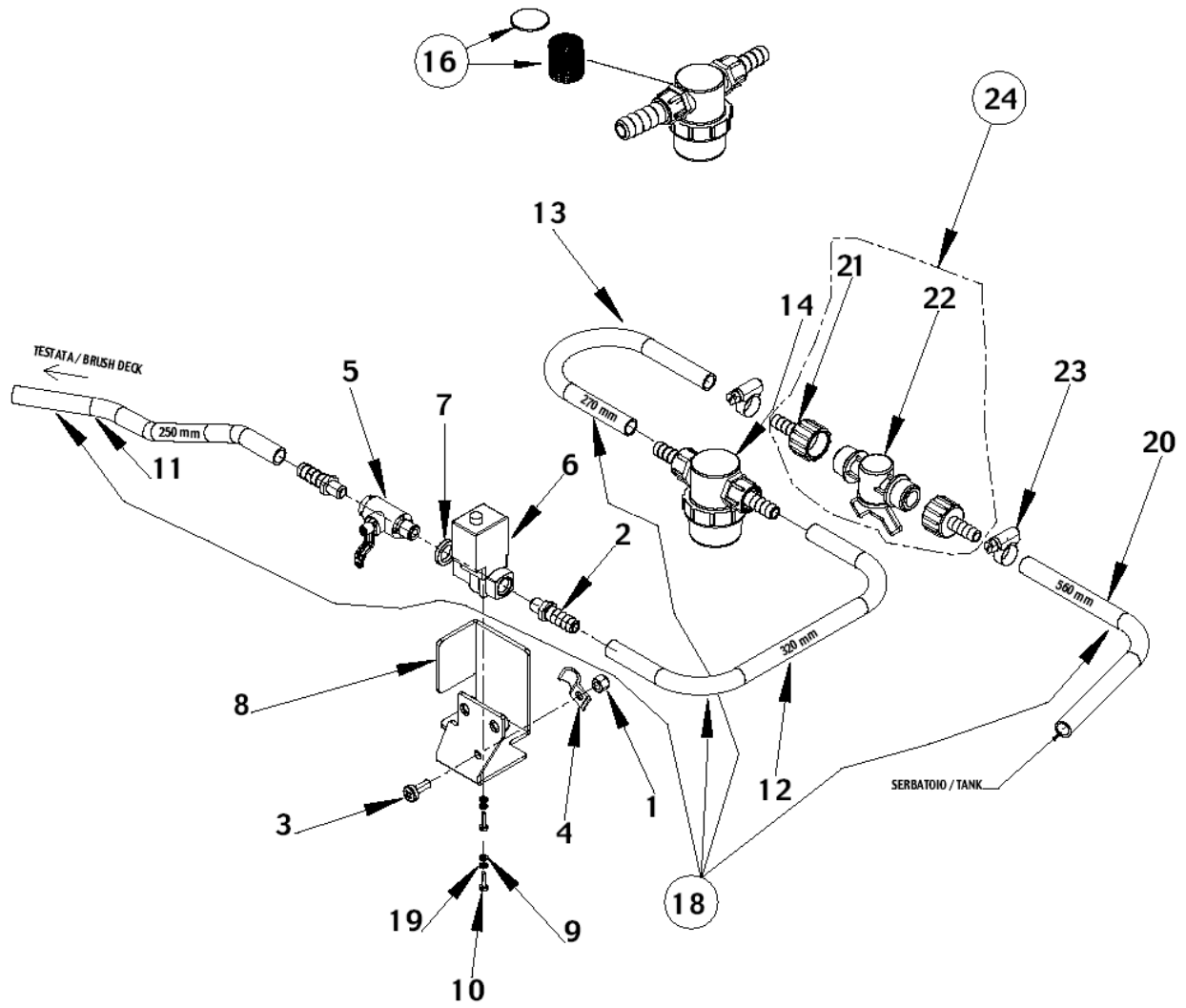
Resource notes:

Note: Pos. 18 (a) kit to be kept for scrubbers after serial number 032004955 which replaces the previous code 08603865 Pos. 18 (b) kit with new Ball grip thread to be used from serial number 044012196 TSB IT 2004-019TSB IT 2004 019. New water valve

Pos.	Vare-nr	Antal	Beskrivelse	Notes
01	33023667	1	NUT LOCK HEX M6 LOW ISO10511 5 PCS SET	
02	L08601624	2	Slangestuds Plast	
03	33023255	1	SCREW M6X16 HEX ISO4017 10 PCS SET	
04	L08812352	1	Clamp Ba450/530	[1]
05	909 5627 000	1	Valve 1/4 For Solen.Valve	[2]
06	L08812960	1	Magnetventil 24V	
07	L08812257	1	Locknut Ba450/530	[1]
08	L08812974	1	Holder,Magnetventil Ba510	[1]
09	L08812986	2	WASHER SPRING LOCK M3 SS DIN127-B	[1]
10	L08603895	2	SCREW M3X12 HEX HD F/THD SS ISO4017	[3]
11	L08603854	1	Slange D.10 L=270	[1]
12	909 5026 000	1	Slange, D 10 L=100 mm	
13	909 5025 000	1	HOSE PVC W/SPIRAL D.10X16 L.300MM	[1]
14	9097166000	1	Filter Complete Kit	
16	L08603893	1	Filternet+Pakn. Til 909 5151 000	
18A	909 5030 000	1	SOLENOID VALVE KIT CPL.	[1]
18B	909 5655 000	1	SOLENOID VALVE KIT CPL. BA 430/510	[3]
19	L08812097	2	Washer 3,2 Plated Washer	[1]
20	L08603855	1	Rentvandsslange F/Filter	[2]
21	909 5022 000	2	Holder,Gummi	[2]
22	909 5023 000	1	Ventil Ba450-610	[2]
23	33023593	4	CLAMP HOSE 8-16/9 DIN3017 2 PCS SET	
24	909 5787 000	1	VALVE W PIPE HOLDER KIT BA/CA 430/510/4	[2]
25	1466344000	2	TIE CABLE 4.8X200 BLACK 10 PCS SET	
26	145 0541 000	1	TIE CABLE 7.6X290 BLACK	[1]

## Part Notes:

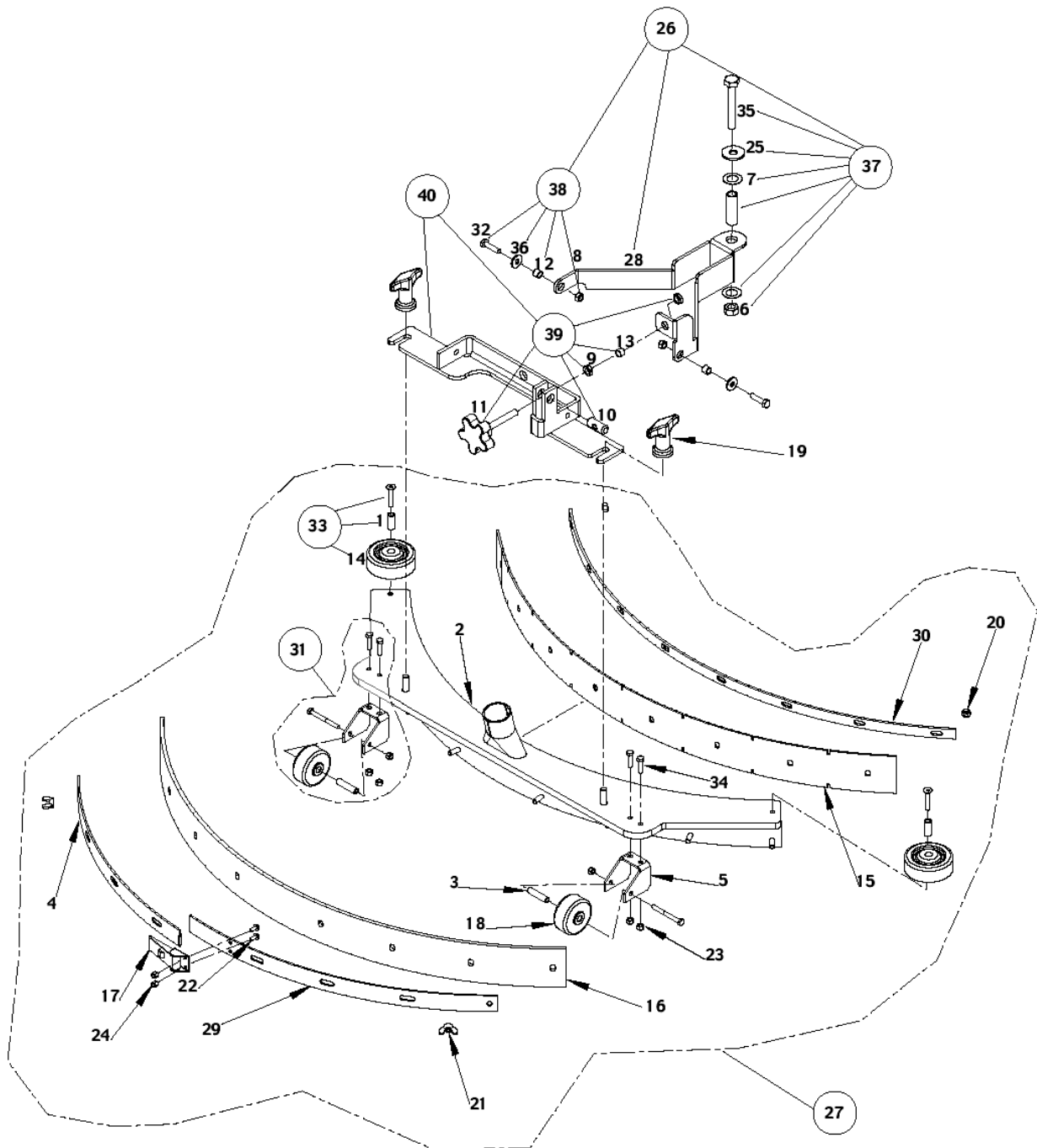
- [1] - GUARANTEE DATE EXPIRED
- [2] - STOCK COVERS GUARANTEE
- [3] - NO LONGER AVAILABLE



Pos.	Vare-nr	Antal	Beskrivelse	Notes
01	33023667	1	NUT LOCK HEX M6 LOW ISO10511 5 PCS SET	
02	L08601624	2	Slangestuds Plast	
03	33023255	1	SCREW M6X16 HEX ISO4017 10 PCS SET	
04	L08812352	1	Clamp Ba450/530	[1]
05	909 5627 000	1	Valve 1/4 For Solen.Valve	[2]
06	L08812960	1	Magnetventil 24V	
07	L08812257	1	Locknut Ba450/530	[1]
08	L08812974	1	Holder,Magnetventil Ba510	[1]
09	L08812986	2	WASHER SPRING LOCK M3 SS DIN127-B	[1]
10	L08603895	2	SCREW M3X12 HEX HD F/THD SS ISO4017	[3]
13	L08603854	1	Slange D.10 L=270	[1]
14	9097166000	1	Filter Complete Kit	
16	L08603893	1	Filternet+Pakn. Til 909 5151 000	
18	909 5158 000	1	Slangekit F Magnetventil Ba 430/510	[1]
19	L08812097	2	Washer 3,2 Plated Washer	[1]
20	L08603855	1	Rentvandsslange F/Filter	[2]
21	909 5022 000	2	Holder,Gummi	[2]
22	909 5023 000	1	Ventil Ba450-610	[2]
23	33023593	2	CLAMP HOSE 8-16/9 DIN3017 2 PCS SET	
24	909 5787 000	1	VALVE W PIPE HOLDER KIT BA/CA 430/510/4	[2]

## Part Notes:

- [1] - GUARANTEE DATE EXPIRED
- [2] - STOCK COVERS GUARANTEE
- [3] - NO LONGER AVAILABLE



Resource notes:

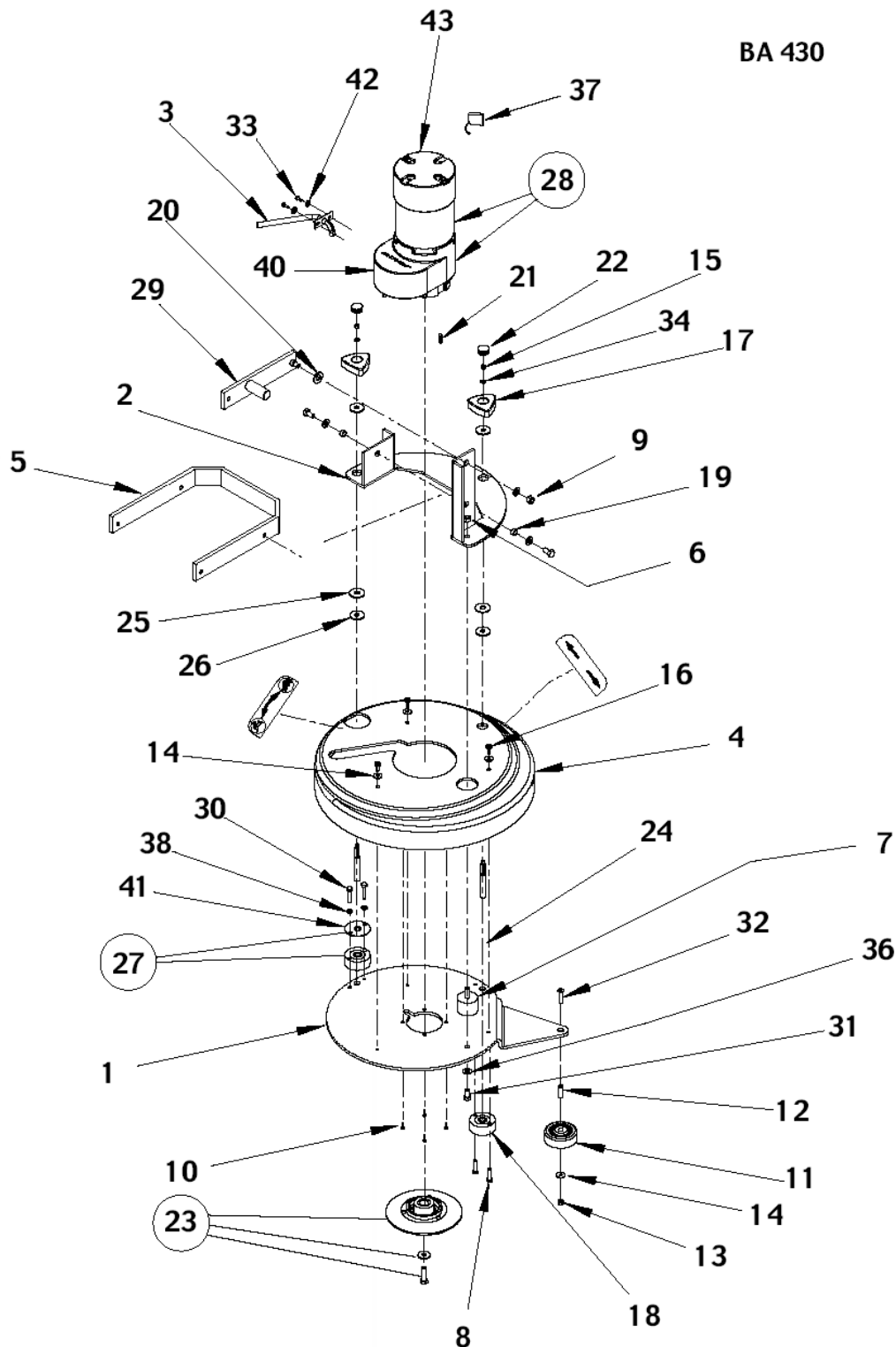
POSITION 15-16: 909 6483 000 - 909 6484 000 INCLUDED IN THE KIT 909 6860 000

Pos.	Vare-nr	Antal	Beskrivelse	Notes
00	L08603923	1	ROLLER BUMPER OPTION KIT	[1]
01	L08812937	2	SPACER 6.3X9.5 H.21 ZNT	[1]
02	L08603676	1	Sugefod Komplet 770 Mm	[1]
03	L08812948	2	Bolt, Sugefod 450/530	
04	L08603669	1	Rear Strap With Hook	[1]
05	L08603666	2	Nalhjulfeste	[1]
06	33005566	1	NUT LOCK HEX M10 ISO7040	
07	L08238300	2	Skive	
08	33023667	2	NUT LOCK HEX M6 LOW ISO10511 5 PCS SET	
09	33005533	2	Nut M8	
10	L08601509	1	Bolt	
11	L08601574	1	Skruer	
12	L08601854	2	SPACER 7X10X8	[1]
13	L08602422	1	SPACER 8X10X7	
14	L08602460	2	Wheel	
17	9098321000	1	Latch Squeegee	
18	9100000559	2	WHEEL D.51 GREY PKD	
19	9097637000	1	Monteringsskrue (2 Stk)	
20	L08603682	8	Hex Nut Selflocking Ss M 6	
21	909 6356 000	2	Vingemøtrik-Sæt (2 Stk.)	
22	L08603684	2	Pan Screw Phil Ss Mx10	[1]
23	L08603688	6	Hex Nut Selflocking Ss M5	[2]
24	L08603685	2	Nut M4 Inox	
25	L08604251	1	Disc 10,5 Ba340/450/530	
26	L08603877	1	Holder Sugefod, Fæstakit	[3]
27	909 5628 000	1	SQUEEGEE 740MM 29 SS KIT	[1]
27	L08603878	1	Squeegee Komp.Ba450/530	
28	L08812935	1	Beslag Til Squeegeholder Ba510Sd	[1]
29	L08603670	1	Rear Strap For Latch	[1]
30	L08603672	1	Blade Fixer Latch	[1]
31	L08603879	1	Hjul For Sugefod	
32	L08232600	2	Screw Ba450/530	[2]
33	L08603880	1	Stødhjulskit, Sugefod	
34	L08603687	4	Screw Hex Hd M5X20 Ss	[2]
35	146 2163 000	1	SCREW M10X70 HEX HD P/THD ISO4014	[3]
36	1466530000	2	WASHER PLAIN M6X18 ISO7093 10 PCS SET	
37	L08812516	1	Fixture Ba450/530	[3]
38	L08812521	1	Fixture F. Nozzle Holder Ba450/530	[2]
39	L08812518	1	Adjustm. Screw Set Ba450/530	
40	L08603876	1	Kit, Sugefodsholder Ca/BA 430S/510S	[2]

## Part Notes:

- [1] - GUARANTEE DATE EXPIRED
- [2] - NO LONGER AVAILABLE
- [3] - STOCK COVERS GUARANTEE





Resource notes:

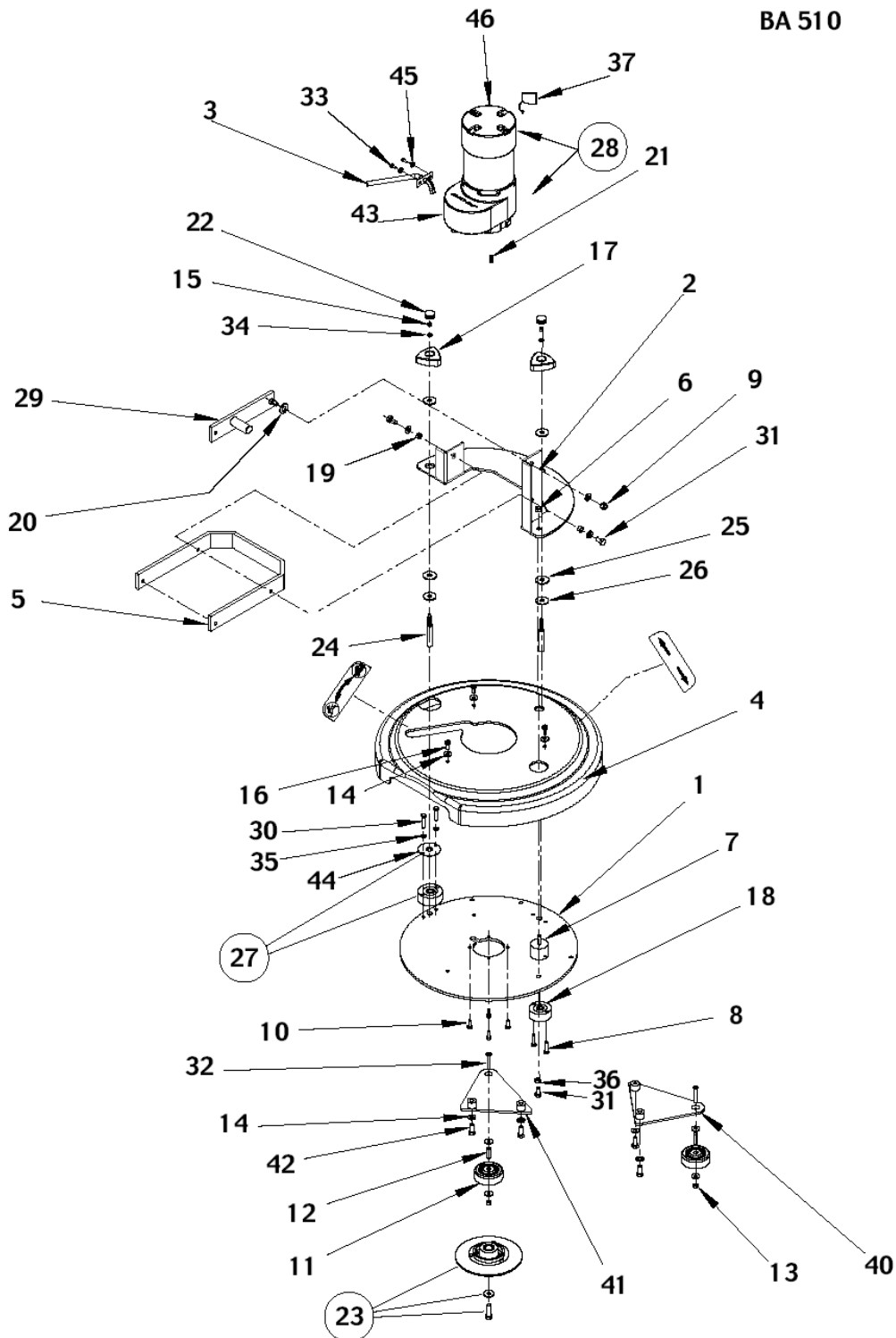
Note: Pos. 28a TSB IT 2004-005 reduction gear motor 08812919, starting from serial number 040300059, has been replaced from reduction gear motor 909 5365 000 TSB IT 2004-020 reduction gear motor 909 5365 000, starting from serial number 043610441, has been replaced from reduction gear motor 909 5507 000 Pos. 43a TSB IT 2004-005 electric motor 08603848, starting from serial number 040300059, has been replaced from 909 5438 000 TSB IT 2004-020; electric motor 909 5438 000, starting from serial number 043610441, has been replaced from 909 5508 000 Pos. 37 (b) Carbon brush set valid for old electric motor 08603848 Pos. 37 (c) Carbon brush set valid for both electric motors 909 5438 000 and 909 5508 000 TSB IT 2004-005. Brush motor with lower speed

Pos.	Vare-nr	Antal	Beskrivelse	Notes
01	L08812889	1	Børsteholder	[1]
02	L08812892	1	PLATE.BRUSH SUPPORT	[1]
03	9098340000	1	HOSE COPPER KIT	
04	L08812922	1	Børstesikring Ba430S	[1]
05	L08812924	1	FRAME.BRUSH LIFTING	[1]
05	909 5266 000	1	FRAME BRUSH LIFTING	[1]
06	33005504	1	Møtrik M8 Uni5588	
07	9100000868	1	VIBRATION DAMPING M8 60SH 2 PCS SET	
09	33023574	1	NUT LOCK HEX M8 ISO10511 PCS 10 SET	
10	145 9959 000	4	SCREW M6X16 HEX HD F/THD SS ISO4017	
11	L08602460	1	Wheel	
12	909 5710 000	1	Afstandsskive Ca/BA 410-750	
13	33023667	1	NUT LOCK HEX M6 LOW ISO10511 5 PCS SET	
14	1466530000	4	WASHER PLAIN M6X18 ISO7093 10 PCS SET	
15	33023194	2	NUT LOCK HEX M5 LOW ISO10511 10 PCS SET	
16	L08812095	3	Skrue M6X16 UNI7687	
17	L08812203	2	Knob Ba450/530	
18	L08812213	2	Hjul, Påkørsel Ba450/530	
19	L08812325	2	Sleeve Ba450/530	
20	L08812361	1	Washer Ba450/530	[1]
21	1466147000	1	KEY 5X5X20 UNI6604A PKD	
22	L08812426	2	Plug Ba450/530	
23	L08812589	1	Holder Polyg.W/Flange Kit	
24	L08812706	2	Screw. Skrue	
25	L08812718	2	Skive, Gummi Ba450/530	[2]
26	L08812719	4	Pakning 9X28X3 Ba450/530	[3]
27	L08812780	1	Gummi Ophæng Komp. D	
28A	909 5507 000	1	Børstemotor Kompl.510/530	
29	L08812929	1	LEVER.BRUSH LIFTING	[1]
30	L08812885	2	Skrue M6X30 Ba510S	[2]
31	L08274300	3	Screw Ba450/530	[2]
32	145 5877 000	1	Screw	[1]
33	146 0632 000	2	SCREW M4X8 HEX HD F/THD ISO4017	[3]
34	33005912	2	WASHER M5 UNI6592	
36	33023208	3	WASHER M8 UNI6592 10 PCS SET	
37B	L08603850	1	Kul Kit Ba450/530/610	[3]
37C	L08603949	1	Kul Kit 4 Stk	
38	33005851	2	Skive M6 Uni1751B	
40	9099851000	1	REDUCTION GEAR	
41	L08812779	1	Metalplade	
42	33023660	2	WASHER PLAIN M8X24X2 ISO7093 5 PCS SET	
43A	9097114000	1	Motor Electric 520W 24V	

## Part Notes:

- [1] - GUARANTEE DATE EXPIRED  
 [2] - NO LONGER AVAILABLE  
 [3] - STOCK COVERS GUARANTEE

BA 510



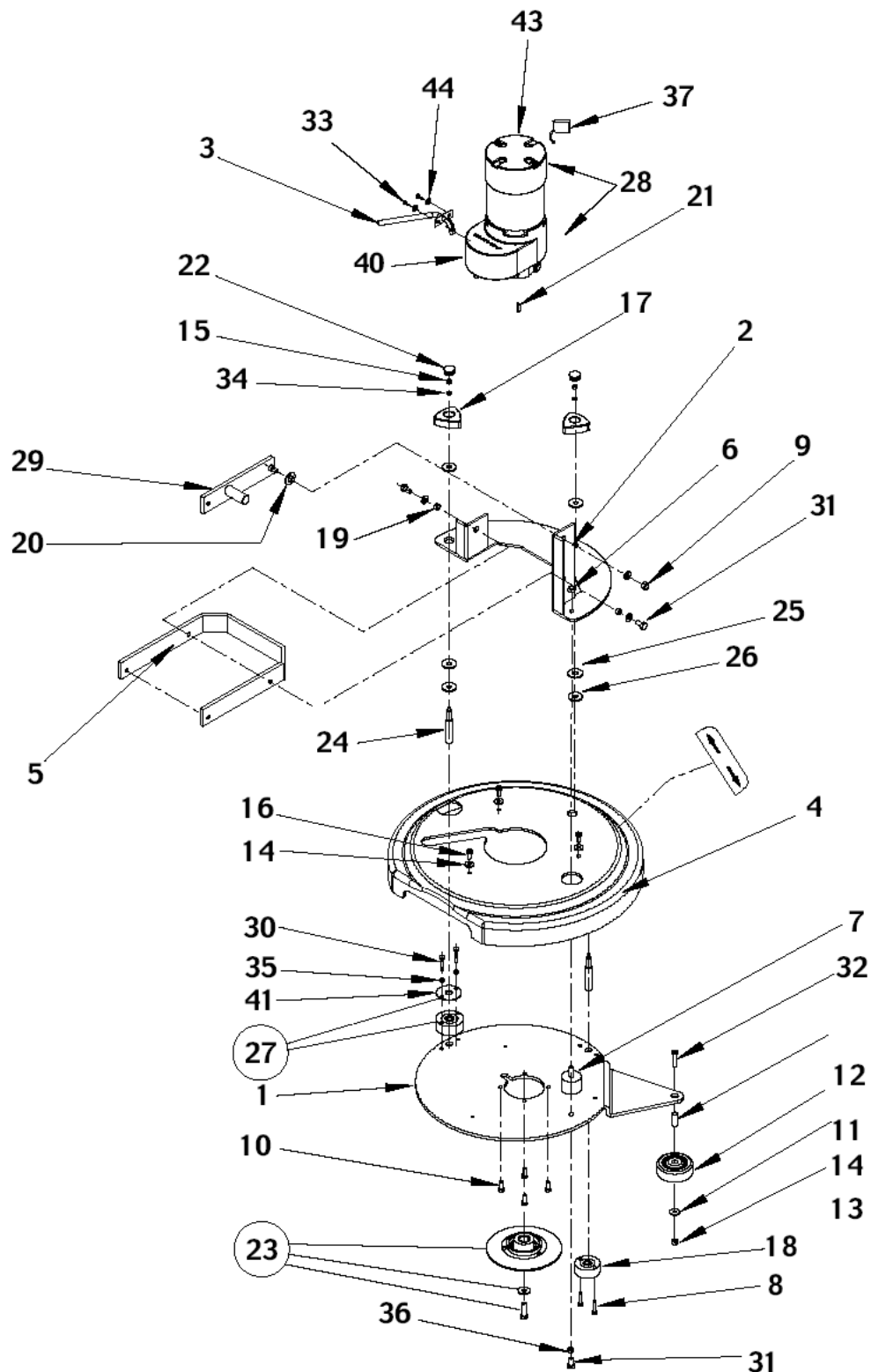
Resource notes:

Note: Pos. 28 (a) TSB IT 2004-003 Reduction gear motor L08812919 has been replaced from 909 5507 000; old electric motor L08603848 has been replaced from 909 5508 000 TSB IT 2004-003. New brush deck

Pos.	Vare-nr	Antal	Beskrivelse	Notes
01	L08812981	1	PLATE.BRUSH HOLDER	[1]
02	L08812980	1	PLATE.BRUSH HOLDER	[1]
03	9098340000	1	HOSE COPPER KIT	
04	L08812979	1	GUARD BRUSH 510	[2]
05	L08812924	1	FRAME.BRUSH LIFTING	[1]
06	33005504	1	Møtrik M8 Uni5588	
07	9100000868	1	VIBRATION DAMPING M8 60SH 2 PCS SET	
08	L08232600	2	Screw Ba450/530	[3]
09	33023574	1	NUT LOCK HEX M8 ISO10511 PCS 10 SET	
10	145 9959 000	4	SCREW M6X16 HEX HD F/THD SS ISO4017	
11	L08602460	2	Wheel	
12	909 5710 000	2	Afstandsskive Ca/BA 410-750	
13	33023667	2	NUT LOCK HEX M6 LOW ISO10511 5 PCS SET	
14	1466530000	5	WASHER PLAIN M6X18 ISO7093 10 PCS SET	
15	33023194	2	NUT LOCK HEX M5 LOW ISO10511 10 PCS SET	
16	L08812095	3	Skrue M6X16 UNI7687	
17	L08812203	2	Knob Ba450/530	
18	L08812213	1	Hjul, Påkørsel Ba450/530	
19	L08812325	2	Sleeve Ba450/530	
20	L08812361	1	Washer Ba450/530	[1]
21	1466147000	1	KEY 5X5X20 UNI6604A PKD	
22	L08812426	2	Plug Ba450/530	
23	L08812589	1	Holder Polyg.W/Flange Kit	
24	L08812706	2	Screw. Skrue	
25	L08812718	2	Skive, Gummi Ba450/530	[3]
26	L08812719	4	Pakning 9X28X3 Ba450/530	[4]
27	L08812780	1	Gummi Ophæng Komp. D	
28A	909 5507 000	1	Børstemotor Kompl.510/530	
29	L08812929	1	LEVER.BRUSH LIFTING	[1]
30	L08812885	2	Skrue M6X30 Ba510S	[3]
31	L08274300	3	Screw Ba450/530	[3]
32	145 5877 000	2	Screw	[1]
33	146 0632 000	2	SCREW M4X8 HEX HD F/THD ISO4017	[4]
34	33023195	2	WASHER PLAIN M5 ISO7089 10 PCS SET	
35	33005851	2	Skive M6 Uni1751B	
36	33023208	6	WASHER M8 UNI6592 10 PCS SET	
37	L08603949	1	Kul Kit 4 Stk	
40	L08812982	1	SUPPORT BUMP.ROLL.RIGHT	[1]
41	L08812983	1	SUPPORT BUMP.ROLL.LEFT	[1]
42	33003983	4	SCREW M8X25 HEX HD F/THD SS ISO4017	[1]
43	9099851000	1	REDUCTION GEAR	
44	L08812779	1	Metalplade	
45	33023660	2	WASHER PLAIN M8X24X2 ISO7093 5 PCS SET	
46A	9097114000	1	Motor Electric 520W 24V	

## Part Notes:

- [1] - GUARANTEE DATE EXPIRED
- [2] - TSB IT 2004-003 - alternative no 909 5460 000
- [3] - NO LONGER AVAILABLE
- [4] - STOCK COVERS GUARANTEE



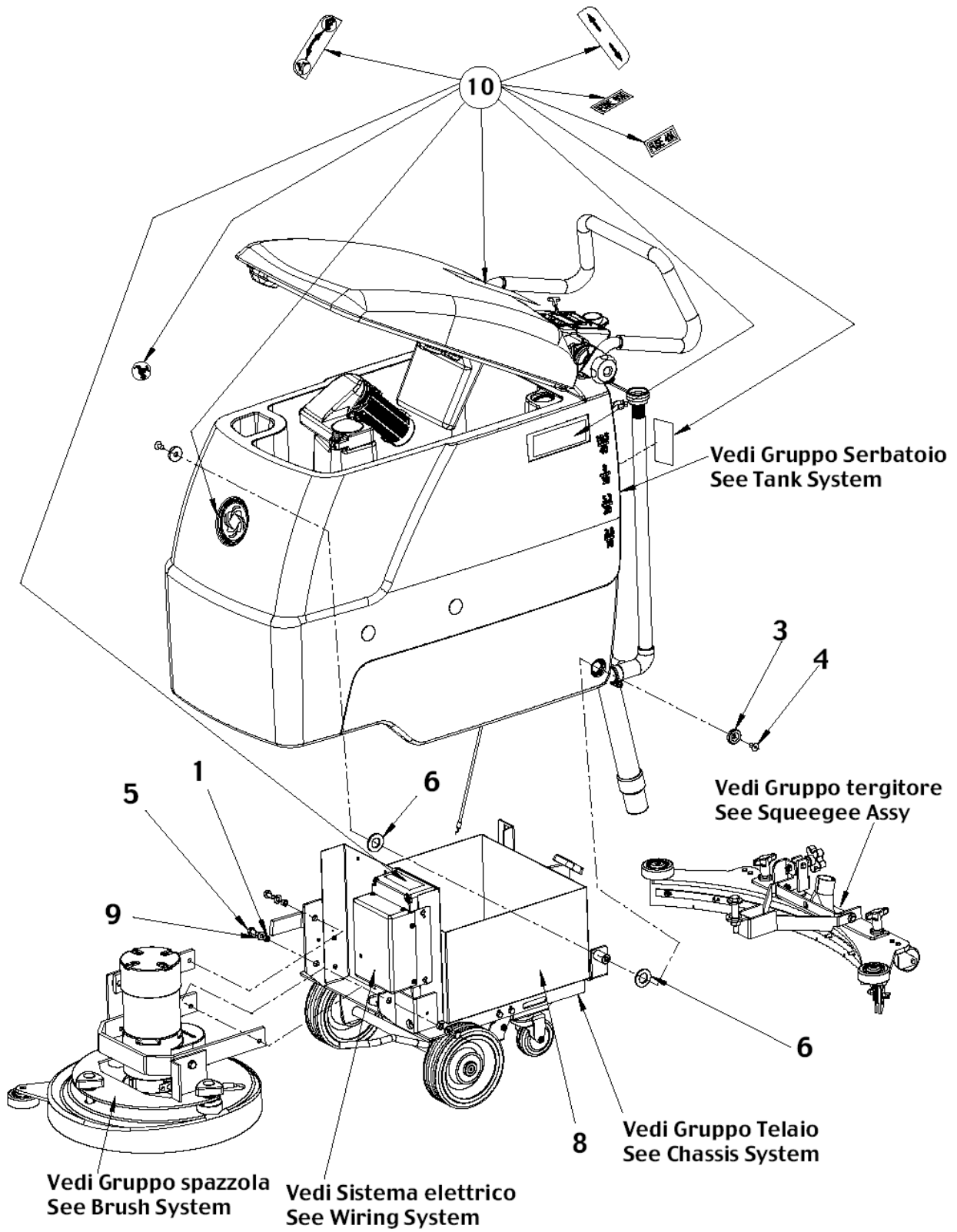
Resource notes:

Note: Pos. 28a TSB IT 2004-05 reduction gear motor 08812919, starting from 040300059, has been replaced from reduction gear motor 909 5365 000 TSB IT 2004-020 reduction gear motor 909 5365 000, starting from 043610441, has been replaced from reduction gear motor 909 5507 000 Pos. 43a TSB IT 2004-05 electric motor 08603848, starting from 040300059, has been replaced from electric motor 909 5438 000 TSB IT 2004-020 TSB IT 2004-020. Brush motor with lower speed electric motor 909 5438 000, starting from 043610441, has been replaced from electric motor 909 5508 000 Pos. 37 (b) Carbon brush set valid for old electric motor 08603848 Pos. 37 (c) Carbon brush set valid for both electric motors 909 5438 000 and 909 5508 000 Pos. 4 (d) TSB IT 2004-021 brush cover 909 5460 000 replaces ,from serial number 042306843, the previous brush cover 909 5134 000. Both parts are completely interchangeable, but their splash guard kits: 909 5176 000 is valid only before serial number 042306843; 909 5531 000 is valid after serial number 042306843 (ODM 1683) -

Pos.	Vare-nr	Antal	Beskrivelse	Notes
00	909 5176 000	1	Stænkskørt BA/CA 510 BA/CA 510	[1]
1	909 5135 000	1	PLATE	[2]
2	909 5136 000	1	PLATE BRUSH HOLDER	[2]
3	9098340000	1	HOSE COPPER KIT	
4D	909 5460 000	1	Børsteskaerm BA 430/510	[2]
5	L08812924	1	FRAME.BRUSH LIFTING	[2]
6	33005504	1	Møtrik M8 Uni5588	
7	9100000868	1	VIBRATION DAMPING M8 60SH 2 PCS SET	
8	L08232600	2	Screw Ba450/530	[3]
9	33023574	1	NUT LOCK HEX M8 ISO10511 PCS 10 SET	
10	145 9959 000	4	SCREW M6X16 HEX HD F/THD SS ISO4017	
11	L08602460	1	Wheel	
12	909 5710 000	1	Afstandsskive Ca/BA 410-750	
13	33023667	1	NUT LOCK HEX M6 LOW ISO10511 5 PCS SET	
14	1466530000	4	WASHER PLAIN M6X18 ISO7093 10 PCS SET	
15	33023194	2	NUT LOCK HEX M5 LOW ISO10511 10 PCS SET	
16	L08812095	3	Skruer M6X16 UNI7687	
17	L08812203	2	Knob Ba450/530	
18	L08812213	2	Hjul, Påkørsel Ba450/530	
19	L08812325	2	Sleeve Ba450/530	
20	L08812361	2	Washer Ba450/530	[2]
21	1466147000	1	KEY 5X5X20 UNI6604A PKD	
22	L08812426	2	Plug Ba450/530	
23	L08812589	1	Holder Polyg,W/Flange Kit	
24	L08812706	2	Screw. Skruer	
25	L08812718	2	Skive, Gummi Ba450/530	[3]
26	L08812719	4	Pakning 9X28X3 Ba450/530	[4]
27	L08812780	1	Gummi Ophæng Komp. D	
28A	909 5507 000	1	Børstemotor Kompl.510/530	
29	L08812929	1	LEVER.BRUSH LIFTING	[2]
30	L08812885	2	Skruer M6X30 Ba510S	[3]
31	L08274300	3	Screw Ba450/530	[3]
32	145 5877 000	1	Screw	[2]
33	146 0632 000	2	SCREW M4X8 HEX HD F/THD ISO4017	[4]
34	1466147000	2	KEY 5X5X20 UNI6604A PKD	
35	33005851	2	Skive M6 Uni1751B	
36	33023208	3	WASHER M8 UNI6592 10 PCS SET	
37B	L08603850	1	Kul Kit Ba450/530/610	[4]
37C	L08603949	1	Kul Kit 4 Stk	
40	9099851000	1	REDUCTION GEAR	
41	L08812779	1	Metalplade	
43A	9097114000	1	Motor Electric 520W 24V	
44	33023660	2	WASHER PLAIN M8X24X2 ISO7093 5 PCS SET	

## Part Notes:

- [1] - valid only before serial number 042306843  
GUARANTEE DATE EXPIRED
- [2] - GUARANTEE DATE EXPIRED
- [3] - NO LONGER AVAILABLE
- [4] - STOCK COVERS GUARANTEE



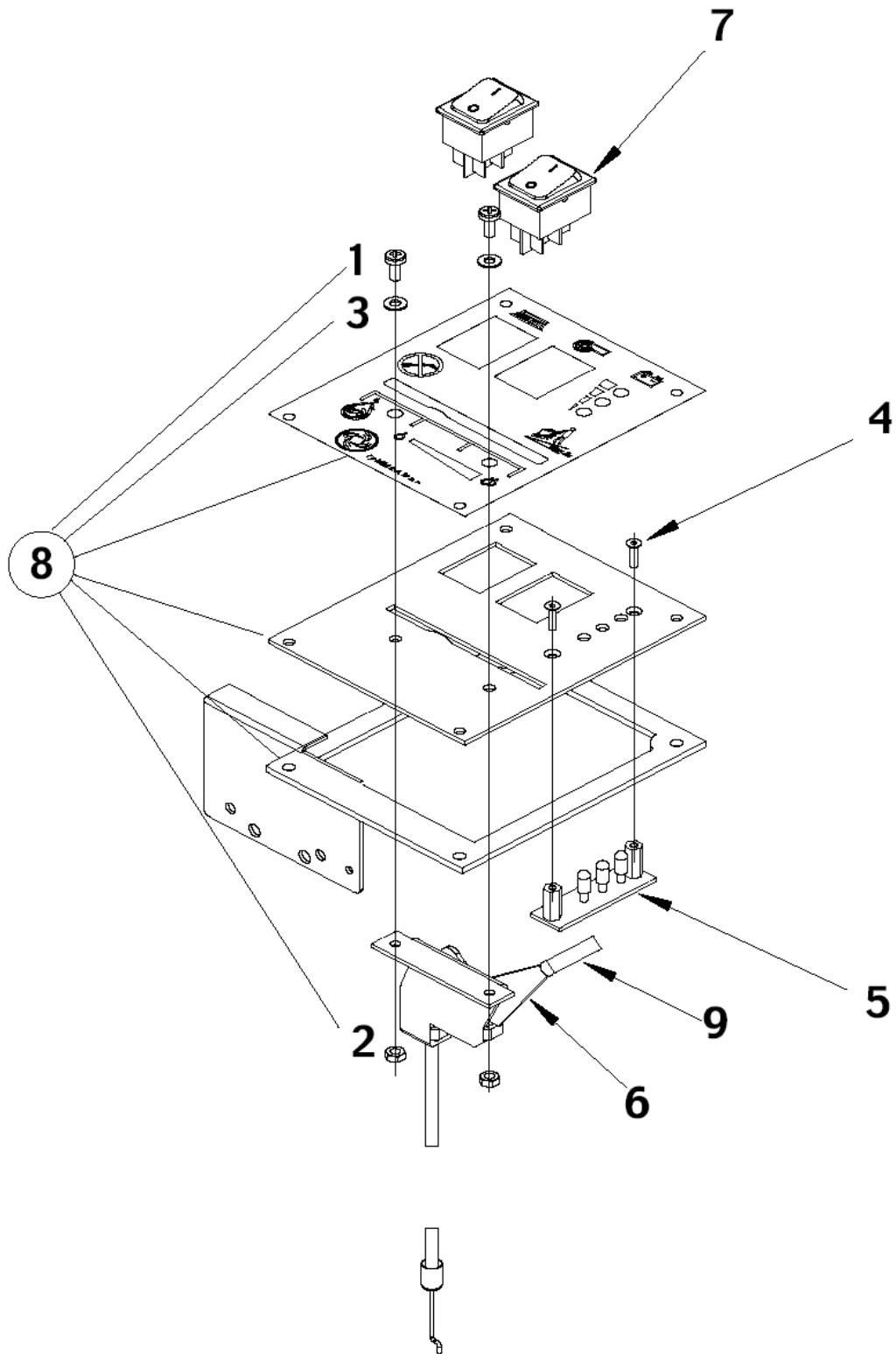
Resource notes:

Pos.	Vare-nr	Antal	Beskrivelse	Notes
1	L08812325	3	Sleeve Ba450/530	
3	9100002136	1	WASHER COUNTERSUNK 9X30 H.6 - 2 PCS SET	
4	33023206	2	SCREW M8X20 C/SUNK ISO10642 10 PCS SET	[1]
5	L08274300	3	Screw Ba450/530	[1]
6	L08812439	2	WASHER PLAIN M20X37 NYLON ISO7089	[2]
8	L08812758	1	Battery Container	[1]
9	33023208	3	WASHER M8 UNI6592 10 PCS SET	
10	L08603857	1	DECALS BA 510S KIT	[2]
10	L08603856	1	DECALS BA 430S KIT	[2]

## Part Notes:

- [1] - NO LONGER AVAILABLE
- [2] - GUARANTEE DATE EXPIRED

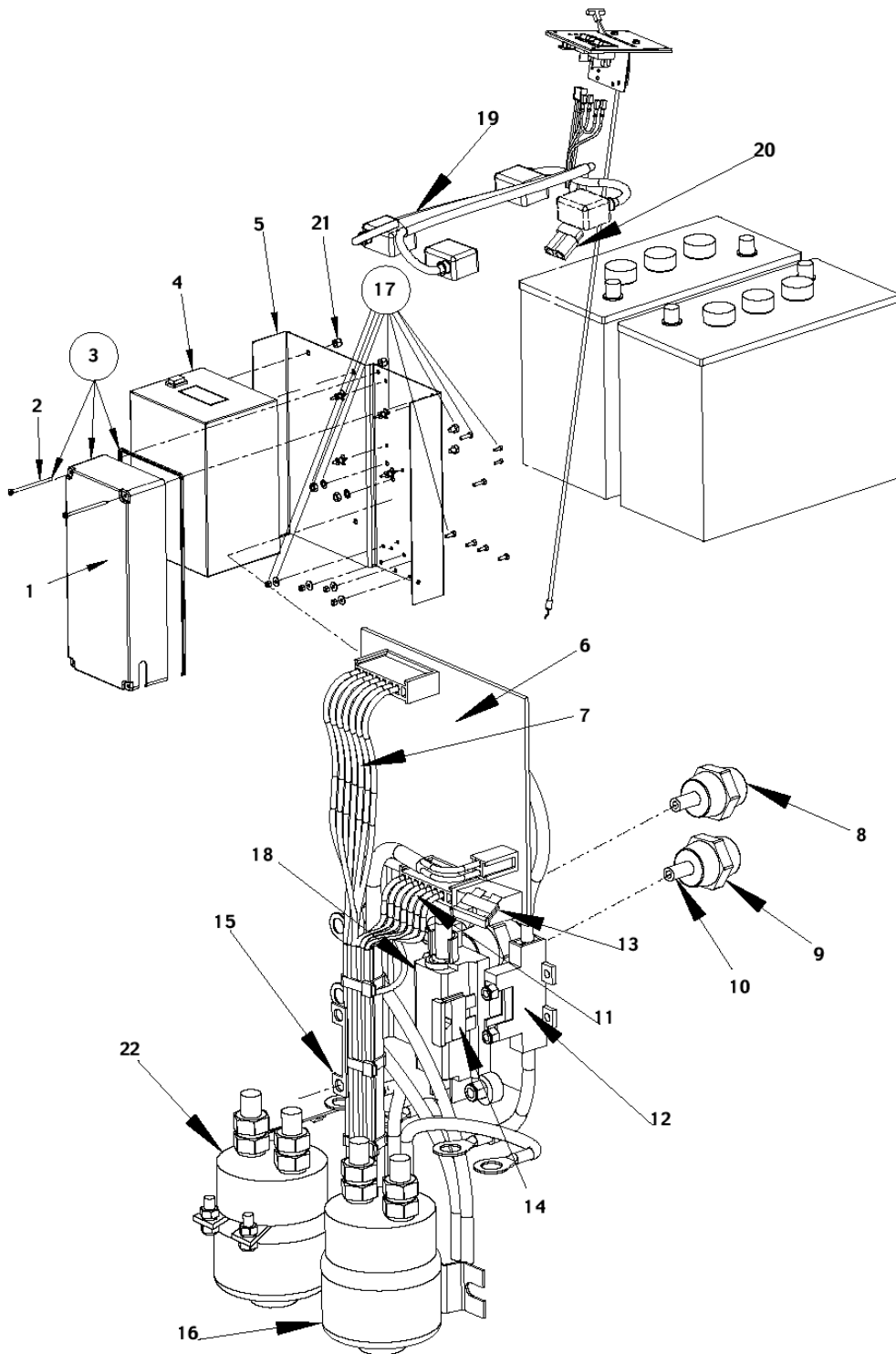




Pos.	Vare-nr	Antal	Beskrivelse	Notes
01	L08604077	2	Skrue M4X10 PAN HD PHIL ISO7045	[1]
02	L08053500	2	NUT HEX M4 UNI5588	
03	L08200800	2	Skive M4 Rustfri Stål Uni6592	
04	909 5284 000	2	SCREW M3X6 C/SUNK FLAT HD PHIL ISO7046	
05	L08812909	1	Diodebro Ba410	
06	L08812938	1	Wire For Vandreg.	
07	909 5667 000	1	Kontakt Kpl.	[2]
07B	909 5667 000	1	Kontakt Kpl.	[2]
08C	L08603866	1	PANEL CONTROL W/DECAL KITBA 430/510 RAZO	[3]
08D	909 5689 000	1	PANEL CONTROL W/DECAL KITBA 430/510 RAZO	[3]
09	L08603790	1	Knob (Handle For Water Control	[2]

## Part Notes:

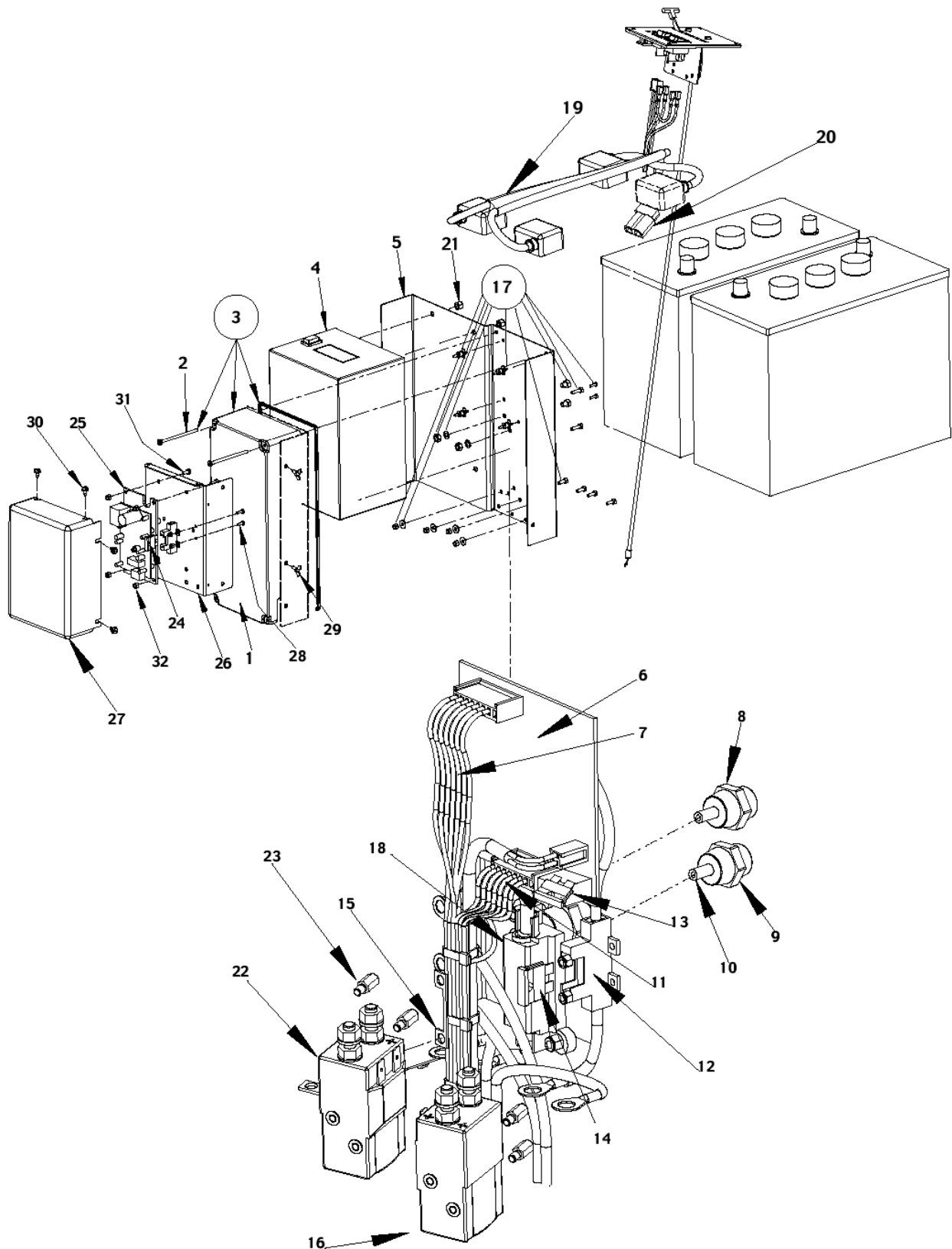
- [1] - NO LONGER AVAILABLE
- [2] - STOCK COVERS GUARANTEE
- [3] - GUARANTEE DATE EXPIRED



Pos.	Vare-nr	Antal	Beskrivelse	Notes
00	909 5738 000	1	CORD POWER SUPPLY F BATTERY CHARGER	[1]
00	909 5730 000	1	FUSE 8A	[1]
00	909 5737 000	1	CARD POWER	[1]
00	909 5731 000	1	HOLDER FUSE	[1]
00	146 0801 000	1	SWITCH WET/GEL	[2]
00	146 0794 000	1	FUSE 1.6A	[3]
00	909 5733 000	1	FAN COOLING	[1]
00	909 5729 000	1	FUSE 8A	[1]
00	909 5735 000	1	TRANSFORMER 230V 24V	[1]
00	909 5732 000	1	FUSE 15A	[1]
00	909 5739 000	1	Ledningskit Ba 510 Sd	[1]
00	9097590000	1	Batteri Kabel	
00	909 5931 000	1	CAPACITOR 450V 30UF	
01	9099432000	1	COVER ELECTRICAL BOX KIT	[4]
02	L08812444	2	Skruer M4X70 Uni7687	[1]
03	L08812625	1	Cover Cpl	[1]
04	L08812821	1	Lader Indbygning BA 450/530/610/430S/510	[1]
04	L08603971	1	CHARGER BATT. ON BOARD 24V 13A 100V	[1]
05	L08812890	1	SUPPORT.ELECTRONIC CARD	[1]
06	9099967000	1	CARD ELECTRONIC KIT	
07	L08812908	1	HARNES MACHINE	[1]
08	146 0708 000	1	INSULATOR M6 WHITE	
09	146 0566 000	1	INSULATOR.M6 RED	[1]
10	146 0759 000	2	SCREW GRUB M6X25 CUP POINT ISO4029	[5]
11	L08812911	1	HARNES ELECTRONIC CARD	[1]
12	1467035000	1	HOLDER FUSE THERMOPL.UL 94-V0 SIP	
13	145 9852 000	1	Sikring 5A	
14	145 0227 000	1	Sikring 40 A, Autosikring	
15	145 9854 000	1	Fuse	
16	145 0300 000	1	Kontakt, 24V 120A	
17	L08603867	1	FIXING ELECTR.CARD KIT BA 430/510-RAZO	[1]
18	145 8046 000	1	Säkeringshållare	
19	9100001953	1	HARNES BATTERY KIT	
20	9100002248	1	CONNECTOR 50A RED SIP	
21	33005562	4	NUT LOCK HEX M6 ISO7040	
22	L08603934	1	Rele,24V/80A	

## Part Notes:

- [1] - GUARANTEE DATE EXPIRED
- [2] - ALTERNATIVE USE 146 2132 000 COMPL.
- [3] - ITEM NO LONGER AVAILABLE
- [4] - STOCK COVERS GUARANTEE
- [5] - NO LONGER AVAILABLE



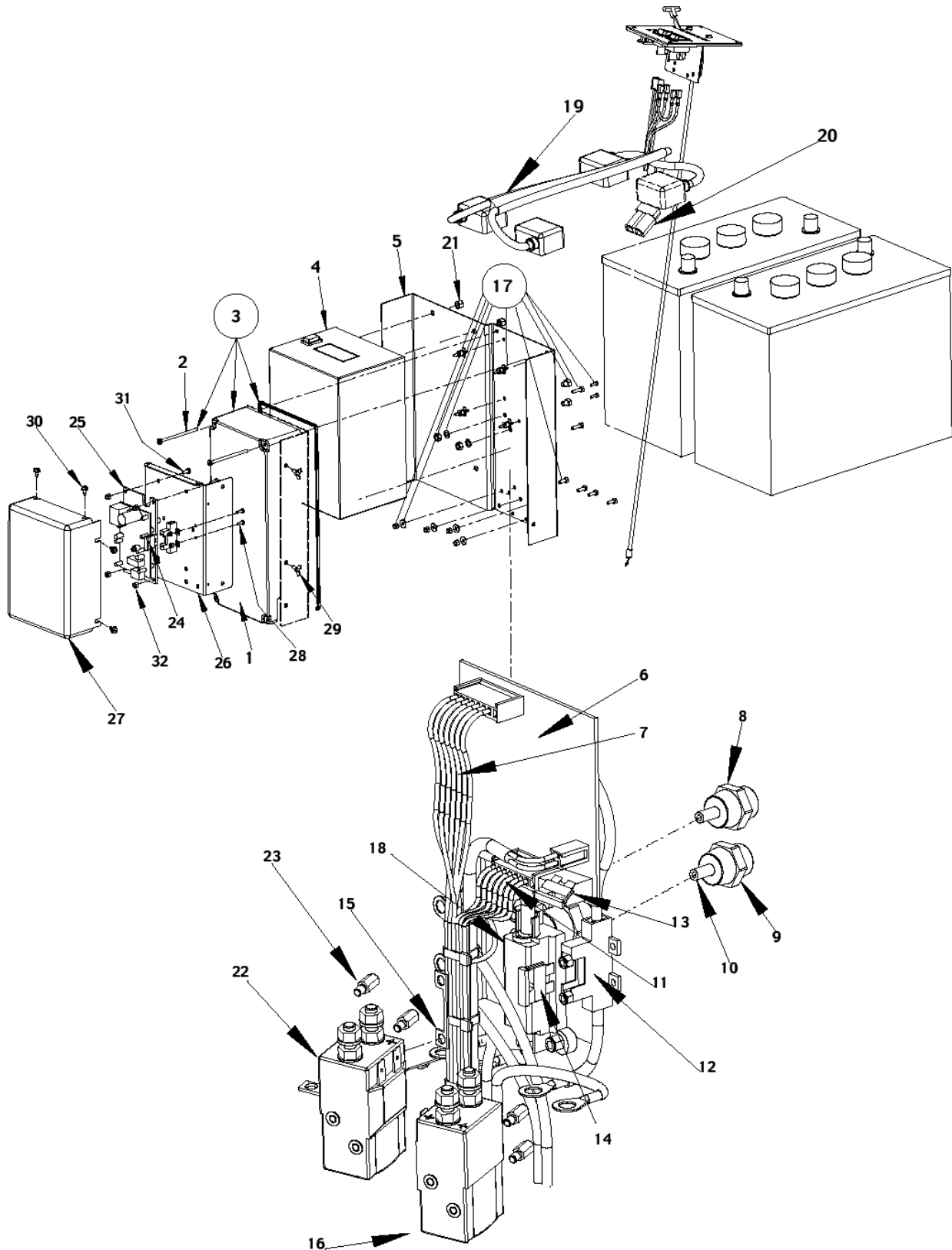
08812943(4)2004-11

Pos.	Vare-nr	Antal	Beskrivelse	Notes
00	9097590000	1	Batteri Kabel	
01	9099432000	1	COVER ELECTRICAL BOX KIT	[1]
02	L08812444	2	Skrue M4X70 Uni7687	[2]
03	L08812625	1	Cover Cpl	[2]
04	L08812821	1	Lader Indbygning BA 450/530/610/430S/510	[2]
04	L08603971	1	CHARGER BATT. ON BOARD 24V 13A 100V	[2]
05	L08812890	1	SUPPORT.ELECTRONIC CARD	[2]
06	9099967000	1	CARD ELECTRONIC KIT	
07	909 5121 000	1	HARNES MACHINE	[2]
08	146 0708 000	1	INSULATOR M6 WHITE	
09	146 0566 000	1	INSULATOR.M6 RED	[2]
10	146 0759 000	2	SCREW GRUB M6X25 CUP POINT ISO4029	[3]
11	909 5122 000	1	HARNES ELECTRONIC CARD	[2]
12	1467035000	2	HOLDER FUSE THERMOPL.UL 94-V0 SIP	
13	145 9852 000	1	Sikring 5A	
14	145 0227 000	1	Sikring 40 A, Autosikring	
15	145 9854 000	1	Fuse	
16	146 0719 000	1	Relæ, Ba410	
17	L08603867	1	FIXING ELECTR.CARD KIT BA 430/510-RAZO	[2]
18	145 8046 000	1	Säkeringshållare	
19	9100001953	1	HARNES BATTERY KIT	
20	9100002248	1	CONNECTOR 50A RED SIP	
21	33005562	4	NUT LOCK HEX M6 ISO7040	
22	909 5127 000	1	Relæ, BA 410 (Børste)	
23	146 0627 000	4	SPACER HEX M4 L. 10 BRASS	
24	145 8513 000	1	Sikring 30A	
25	1466197000	1	CONTROLLER DRIVE WHEEL PKD	[2]
26	909 5867 000	1	SUPPORT ELECTR.CARD	[2]
26A	909 5867 000	1	SUPPORT ELECTR.CARD	[2]
27	909 5126 000	1	COVER	[2]
27A	909 5433 000	1	COVER	[4]
28	L08812964	2	SCREW M3X10 HEX HD F/THD ISO4017	[2]
29	909 5125 000	2	SCREW WING M4X10 DIN316 US	[2]
30	909 5342 000	4	SCREW 4.8X9.5 SELF HEX HD FLANG DIN6928	[2]
31	33003947	4	SCREW M4X10 HEX HD F/THD ISO4017	[2]
32	145 5743 000	4	NUT LOCK HEX M4 LOW ISO10511	

## Part Notes:

- [1] - STOCK COVERS GUARANTEE
- [2] - GUARANTEE DATE EXPIRED
- [3] - NO LONGER AVAILABLE
- [4] - GUARANTEE DATE EXPIRED

Note: Pos. (27a) Starting from serial number ..... not interchangeable (ODM1858)



08812943(4)2004-11

Resource notes:

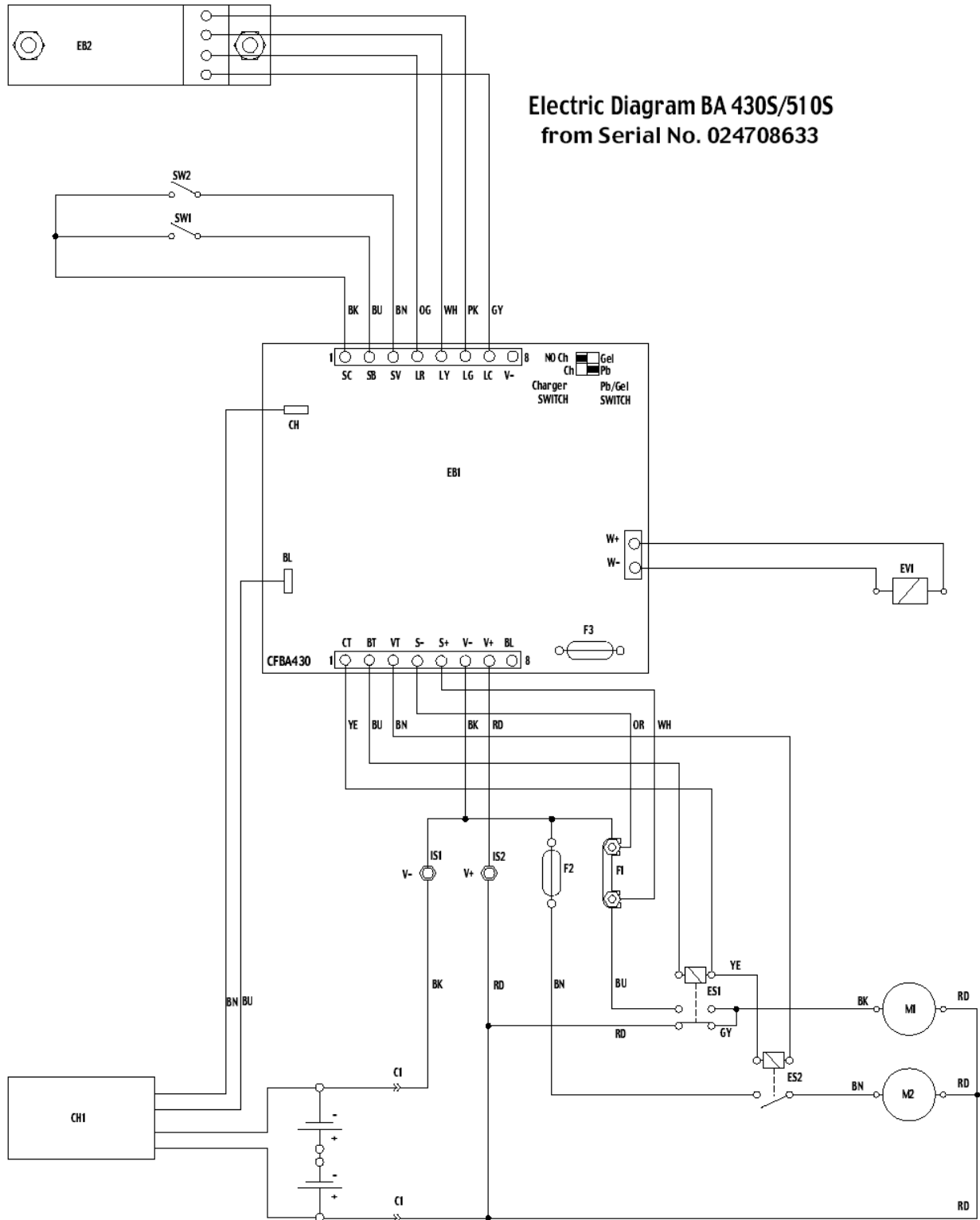
Note: Spare parts for battery charger Item 4 08812821 0909 5731 0001Fuse holder 0909 5730 0001Fuse 8A 0909 5732 0001Fuse 15A 0146 0794 0001Fuse 1.6A 0909 5733 0001Cooler fan 0909 5735 0001Transformer 0909 5736 0001Display card 0909 5737 0001Power card 0909 5739 0001Cable net 0146 0801 0001Switch wet/gel Spare parts for battery charger Item 4 08603971 0909 5731 0001Fuse holder 0909 5729 0001Fuse 8A 0909 5732 0001Fuse 15A 0146 0794 0001Fuse 1.6A 0909 5733 0001Cooler fan 0909 5931 0001Transformer 0909 5736 0001Display card 0909 5737 0001Power card 0909 5738 0001Cable net 0146 0801 0001Switch wet/gel

Pos.	Vare-nr	Antal	Beskrivelse	Notes
00	909 5736 000	1	CARD DISPLAY	[1]
00	909 5731 000	1	HOLDER FUSE	[1]
00	909 5737 000	1	CARD POWER	[1]
00	909 5730 000	1	FUSE 8A	[1]
00	146 0801 000	1	SWITCH WET/GEL	[2]
00	909 5732 000	1	FUSE 15A	[1]
00	909 5733 000	1	FAN COOLING	[1]
00	146 0794 000	1	FUSE 1.6A	[3]
00	909 5931 000	1	CAPACITOR 450V 30UF	
00	909 5729 000	1	FUSE 8A	[1]
00	909 5738 000	1	CORD POWER SUPPLY F BATTERY CHARGER	[1]
00	909 5739 000	1	Ledningskit Ba 510 Sd	[1]
00	909 5735 000	1	TRANSFORMER 230V 24V	[1]

## Part Notes:

- [1] - GUARANTEE DATE EXPIRED
- [2] - ALTERNATIVE USE 146 2132 000 COMPL.
- [3] - ITEM NO LONGER AVAILABLE

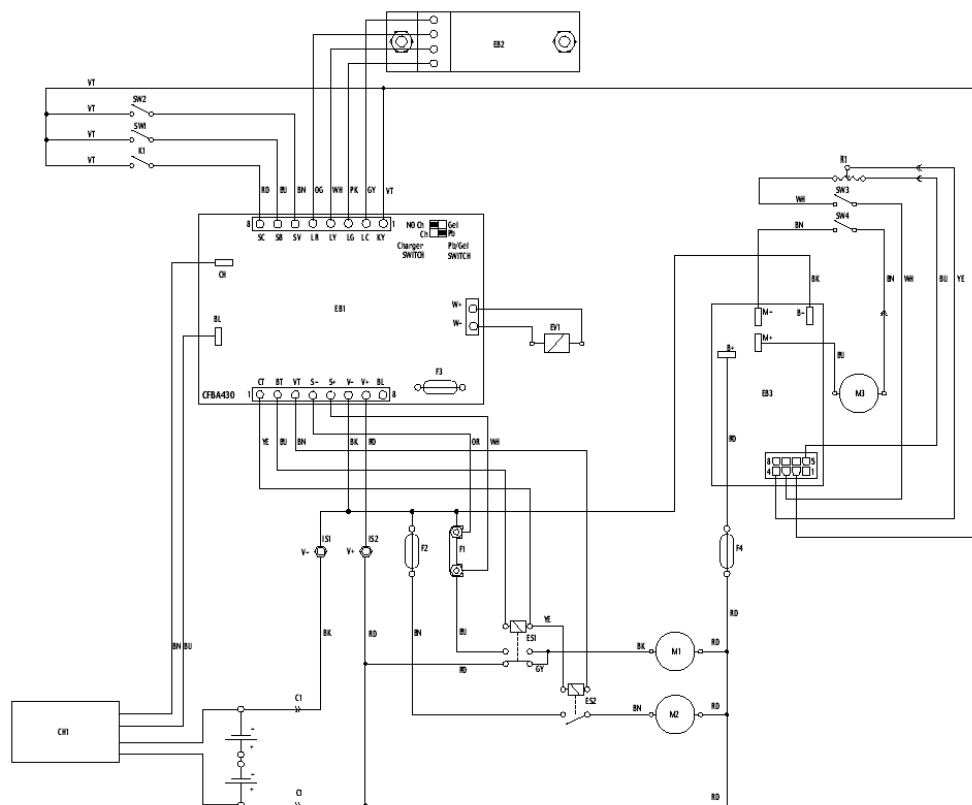




---

Pos.	Vare-nr	Antal	Beskrivelse	Notes
------	---------	-------	-------------	-------

## BA430S-510S Drive



LEGENDA	
CH	BATTERY CHARGER (OPTIONAL)
C1	BATTERY CONNECTOR
EB1	ELECTRONIC BOARD (CFBA430)
EB2	LED BOARD (CFBALED)
EB3	DRIVE ELECTRONIC BOARD
ES1	BRUSH EL. SWITCH
ES2	VACUUM EL. SWITCH
EY1	WATER ELECTRIC VALVE
F1	BRUSH FUSE (50A)
F2	VACUUM FUSE (40A)
F3	WATER VALVE & ELECTRIC FUSE (5A)
F4	DRIVE FUSE (30A)
E1	NEGATIVE INSULATOR
E2	POSITIVE INSULATOR
K1	KEY SWITCH
M1	BRUSH MOTOR
M2	VACUUM MOTOR
M3	DRIVE MOTOR
R1	SPEED REGULATOR
SW1	BRUSH SWITCH
SW2	VACUUM SWITCH
SW3	DRIVE CONTROL MICROSCHITCH
SW4	DRIVE MOTOR MICROSCHITCH

COLORS (DYES)	
BK	BLACK nero
BU	BLUE azzurro
BN	BROWN marrone
GN	GREEN verde
GY	GREY grigio
OG	ORANGE arancio
PK	PINK rosa
RD	RED rosso
VT	VIOLET viola
WH	WHITE bianco
YE	YELLOW giallo

---

Pos.	Vare-nr	Antal	Beskrivelse	Notes
------	---------	-------	-------------	-------

Codice Ref. No. Art. Nr. Réf. No	Quantità Qty Menge Qté	Descrizione	Description
		<b>Vista generale</b>	<b>General view</b>
08603856	1	Kit adesivi BA 430S/430SD	Kit decals BA 430S/430SD
08603857	1	Kit adesivi BA 510S/510SD	Kit decals BA 510S/510SD
		<b>Gruppo serbatoio</b>	<b>Tank system</b>
08812869	1	Tubo scarico acqua	Drain hose
909 5582 000	1	Tubo aspirazione flessibile	Suction hose
08812977	1	Tubo isolante motore asp.	Acoustic insulation
145 8582 000	1	Fascetta	Clamp
		<b>Fonoassorbente per motore</b>	<b>Acoustic insulation</b>
909 5042 000	1	Kit carboncini	Carbon brushes kit
909 5074 000	1	Tubo acqua pulita	Solution hose
08603836	1	Guarnizione coperchio	Gasket, tank cover
08812873	1	Kit tubo acqua sporca	Kit drain hose
08603970	1	Kit leva sollevamento terg.	Squeegee lift lever kit
08603868	1	Chiusura tubo acqua pulita	Closure solution hose
08603858	1	Kit isolante acustico	Kit acoustic cover cpl
08603970	1	Kit leva sollevamento terg.	Squeegee lift lever kit
08603888	1	Kit motore asp.+connettore	Kit suct.motor+connec.
08603860	1	Kit regolazione maniglione	Handle adjusting kit
08812874	1	Kit manicotto	Kit elbow
909 5527 000	1	Kit tubo acqua pulita	Kit solution hose
909 5099 000	1	Kit regolatore maniglione	Handle adjuster kit
		<b>Gruppo maniglione</b>	<b>Handle assembly</b>
145 0372 000	1	Interruttore a chiave	Key switch
909 5705 000	1	Comando avanzamento	Speed controller
909 5116 000	1	Pomello potenziometro	Potentiometer knob
909 5123 000	1	Cablaggio potenziometro	Potentiometer harness
		<b>Gruppo telaio</b>	<b>Chassis system</b>
145 8478 000	1	Copripedale in gomma	Pedal cover
08603861	1	Kit ruota pivoettante post.	Kit castor wheel rear
08603862	1	Kit supporto serbatoio dx	Kit tank support right
08603863	1	Kit supporto serbatoio sx	Kit tank support left
909 5157 000	2	Carboncino per motorid. 909 5271 000	Carbon brush for reductiongear motor 909 5271 000
909 5271 000	1	Motoriduttore	Reduction gear motor
		<b>Gruppo elettrovalvola</b>	<b>Solution system</b>
08601624	2	Portagomma 1/4	Pipe holder 1/4
08812912	1	Elettrovalvola 24V	Solenoid valve 24V
909 5151 000	1	Kit filtro completo	Kit filter complete
08603855	1	Tubo spiralato ø10 560 mm	Pipe ø10 560 mm
909 5030 000	1	Kit elettrovalvola completo	Solenoid valve kit complete
909 5026 000	1	Tubo spiralato ø10 100 mm	Pipe ø10 100 mm
909 5025 000	1	Tubo spiralato ø10 300 mm	Pipe ø10 300 mm
08603854	1	Tubo spiralato ø10 270 mm	Pipe ø10 270 mm
909 5655 000	1	Kit elettrovalvola con rubinetto	Solenoid valve kit w. valve

Pos.	Vare-nr	Antal	Beskrivelse	Notes
01	L08603856	1	DECALS BA 430S KIT	[1]
02	L08603857	1	DECALS BA 510S KIT	[1]
03	9099692000	1	AFTAPNINGSSLANGE SORT PKD	
04	909 5582 000	1	Sugeslange Ba430S/510S	
05	L08812977	1	Pakning	[1]
06	33023593	1	CLAMP HOSE 8-16/9 DIN3017 2 PCS SET	
07	909 5042 000	1	INSULATION ACOUSTIC	[1]
08	909 5074 000	1	Kulbørste Kit 2 Stk	
09	909 5515 000	1	Slange Rent Vand Ba430-510	
10	L08603836	1	Pakning - BA 430S	
11	L08812873	1	Tømmeslange Kpl Ba450/530	
12	L08603970	1	Kabel, Sgueuegee Kit 430/510	[2]
13	909 5236 000	1	Prop Rentvandsslange Br601-751	
14	L08603858	1	INSULATION ACOUSTIC KIT BA/CA 430/510 R	[1]
15	L08603970	1	Kabel, Sgueuegee Kit 430/510	[2]
16	L08603888	1	Sugemotor, Kit	
17	L08603860	1	Just.Skrue Til Håndtag Ba430S	[3]
18	L08812874	1	Elbow Assly	[2]
19	909 5527 000	1	Slangekit, Rent Vand BA/CA 430-510S Ny T	
20	909 5099 000	1	Justeringskrue Kit	
21	9100001354	1	SWITCH KEY WITH CAP PKD	
22	909 5705 000	1	Controller, Speed	[2]
23	909 5116 000	1	Knapp,Potensiometer	[1]
24	909 5123 000	1	Potentiometer Ba430/510S	[1]
25	145 8478 000	1	Pedalgummi	
26	L08603861	2	Hjul Bagerst Kit BA/CA 430/510	[4]
27	L08603862	1	SUPPORT.TANK RIGHT KIT BA/CA 430/510 R	[1]
28	L08603863	1	Tank Support Venstre Kit Ba/Ca 430/510	[1]
29	1464434000	1	CARBON BRUSH 2 PCS SET	
30	909 5271 000	1	Reduction Gearmotor 130W	[1]
31	L08601624	2	Slangestuds Plast	
32	L08812960	1	Magnetventil 24V	
33	9097166000	1	Filter Complete Kit	
34	L08603855	1	Rentvandsslange F/Filter	[2]
35	909 5030 000	1	SOLENOID VALVE KIT CPL.	[1]
36	909 5026 000	1	Slange, D 10 L=100 mm	
37	909 5025 000	1	HOSE PVC W/SPIRAL D.10X16 L.300MM	[1]
38	L08603854	1	Slange D.10 L=270	[1]
39	909 5655 000	1	SOLENOID VALVE KIT CPL. BA 430/510	[3]

## Part Notes:

- [1] - GUARANTEE DATE EXPIRED
- [2] - STOCK COVERS GUARANTEE
- [3] - NO LONGER AVAILABLE
- [4] - Kit includes 1 wheel only.

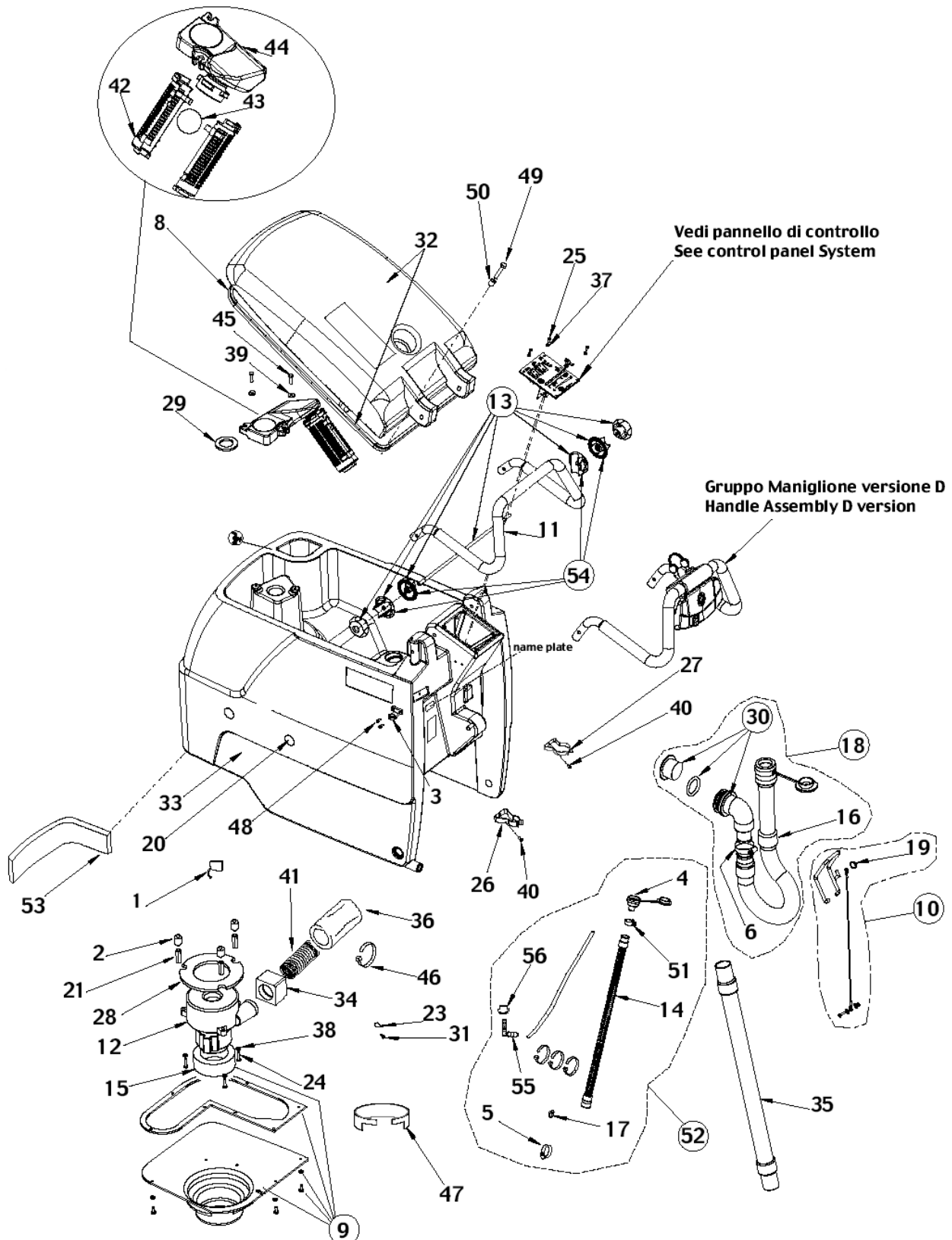
Codice Ref. No. Art. Nr. Réf. No	Quantità Qty Menge Qté	Descrizione	Description
		<b>Gruppo tergitoro</b>	<b>Squeegee assembly</b>
08602463	1	Gomma tergitoro ant.	Squeegee blade front
08602468	1	Gomma tergitoro post.	Squeegee blade rear
08603878	1	Kit tergitoro completo	Kit squeegee complete
08812518	1	Kit viti di regolazione	Adjustment screws kit
08603879	1	Kit ruota tergitoro	Kit squeegee wheel
08603877	1	Kit staffa sup. tergitoro	Kit squeegee sup. bracket
08603880	1	Kit ruota paracolpi	Kit squeegee bumper roller
08812516	1	Kit fissaggio	Fixture kit
08812521	1	Kit fissaggio tergitoro	Fix. Nozzle holder left/right kit
08603876	1	Kit supporto tergitoro	Kit squeegee holder
08603923	1	Kit ruota paracolpi	Bumper roller opt. Kit
08837041	1	Kit gomme tergitoro antiolio	Kit oil resistant blades
08812404	1	Kit gomme std tergitoro	Wear pack: std squeegee blades, solution filter
08812405	1	Kit gomme tergitoro antiolio	Wear pack: oil res. squeegee blades, solution filt
		<b>Gruppo spazzola</b>	<b>Brush system</b>
08219000	1	Antivibrante cilind. M 8	Vibration damping M8
08812203	2	Volantino piastra spaz.	Knob for brush plate
08812213	2	Distanziale piastra spaz.	Buffer for brush plate
08812706	2	Perno fissaggio piastra spaz.	Dowel broom plate fixing
909 5507 000	1	Motoriduttore 520W 24V	Reduction gear motor cpl.
08603949	1	Kit carboncini	Carbon brushset
08812589	1	Kit supporto poligonale	Polygonal holder kit
08837020	1	Spazzola prolene	Brush ppn medium 450mm
08837021	1	Spazzola prolite	Brush ppn soft 450mm
08837022	1	Spazzola union mix	Brush union mix 450mm
08837023	1	Spazzola midlite aggressiva	Brush midlite aggressive 450mm
08837024	1	Spazzola midgrit	Brush midgrit medium 450mm
08837025	1	Spazzola prolene	Brush ppn medium 530mm
08837026	1	Spazzola prolite soft	Brush prolite soft 530mm
08837027	1	Spazzola union mix	Brush union mix 530mm
08837028	1	Spazzola midlite aggressiva	Brush midlite aggressive 530mm
08837029	1	Spazzola midgrit	Brush midgrit 530mm
08837065	1	Spazzola magna grit	Brush magna grit 530mm
08837066	1	Spazzola dyna grit	Brush dyna grit 530mm
08837067	1	Spazzola agligril	Brush agligril 530mm
08837017	1	Kit disco trascinatore	Pad holder kit cpl 430mm
08837018	1	Kit disco trascinatore	Pad holder kit cpl 510mm
		<b>Pannello di controllo</b>	<b>Control panel system</b>
909 5667 000	1	Interruttore completo	Switch complete
909 5689 000	1	Kit plancia con serigrafia	Kit control panel w/decals
		<b>Sistema elettrico</b>	<b>Wiring system</b>
08812821	1	Caricabatteria 24V 220V	Battery charger 24V 220V
08603971	1	Caricabatteria 24V 100V - J	Battery charger 24V 100V - J
145 0227 000	1	Fusibile 40A lamellare	Fuse 40A
145 0300 000	1	Teleruttore	Electromagnetic switch
909 5098 000	1	Scheda elettronica	Electronic card
145 8513 000	1	Fusibile 30A lamellare	Fuse 30A
146 0719 000	1	Teleruttore aspiratore	Electromagnetic switch
909 5110 000	1	Scheda elettronica trazione	Electronic card
909 5127 000	1	Teleruttore spazzola	Electromagnetic switch

Pos.	Vare-nr	Antal	Beskrivelse	Notes
03	L08603878	1	Squeegee Komp.Ba450/530	
04	L08812518	1	Adjustm. Screw Set Ba450/530	
05	L08603879	1	Hjul For Sugefod	
06	L08603877	1	Holder Sugefod, Fæstakit	[1]
07	L08603880	1	Stødhjulskit, Sugefod	
08	L08812516	1	Fixture Ba450/530	[1]
09	L08812521	1	Fixture F. Nozzle Holder Ba450/530	[2]
10	L08603876	1	Kit, Sugefodsholder Ca/BA 430S/510S	[2]
11	L08603923	1	ROLLER BUMPER OPTION KIT	[3]
13	L08812404	1	Sugelæbekit, 770 Mm	
15	9100000868	1	VIBRATION DAMPING M8 60SH 2 PCS SET	[4]
16	L08812203	2	Knob Ba450/530	
17	L08812213	2	Hjul, Påkørsel Ba450/530	
18	L08812706	2	Screw. Skrue	
19	909 5507 000	1	Børstemotor Kompl.510/530	
20	L08603949	1	Kul Kit 4 Stk	
21	L08812589	1	Holder Polyg,W/Flange Kit	
22	L08837020	1	Børste Prolene 17,5" Ø450 mm	
23	L08837021	1	Børste Prolite 17,5" Ø450 mm	[5]
24	L08837022	1	Børste Union Mix Ø450 mm	[5]
25	L08837023	1	Børste, Sica 450 Mm	[5]
26	L08837024	1	Børste, Midgrit 240 450 Mm	[5]
27	L08837025	1	Børste Prolene 21" Ø530 mm	
28	L08837026	1	Børste Prolite 21" Ø530 mm	
29	L08837027	1	Børste naturhår 21" Ø530 mm	
30	L08837028	1	Børste Midlite Grit 180 21" Ø530 mm	
31	L08837029	1	Børste Clean Grit 21" Ø530 mm	
32	L08837065	1	Børste Magna Grit 46 21" Ø530 mm	
33	L08837066	1	Børste Dyna Grit 80 21" Ø530 mm	
34	L08837067	1	Børste Aglite Grit 500 21" Ø530 mm	
35	L08837017	1	Rondelholder 18" Ø450 mm	
36	L08837018	1	Rondelholder 21" Ø530 mm	
37	909 5667 000	1	Kontakt Kpl.	[1]
38	909 5689 000	1	PANEL CONTROL W/DECAL KITBA 430/510 RAZO	[3]
39	L08812821	1	Lader Indbygning BA 450/530/610/430S/510	[3]
40	L08603971	1	CHARGER BATT. ON BOARD 24V 13A 100V	[3]
41	145 0227 000	1	Sikring 40 A, Autosikring	
42	145 0300 000	1	Kontakt, 24V 120A	
43	9099967000	1	CARD ELECTRONIC KIT	
44	145 8513 000	1	Sikring 30A	
45	146 0719 000	1	Relæ, Ba410	
46	1466197000	1	CONTROLLER DRIVE WHEEL PKD	[3]
47	909 5127 000	1	Relæ, BA 410 (Børste)	

## Part Notes:

- [1] - STOCK COVERS GUARANTEE
- [2] - NO LONGER AVAILABLE
- [3] - GUARANTEE DATE EXPIRED
- [4] - replace code L08219000
- [5] - COMPLEXITY REDUCTION





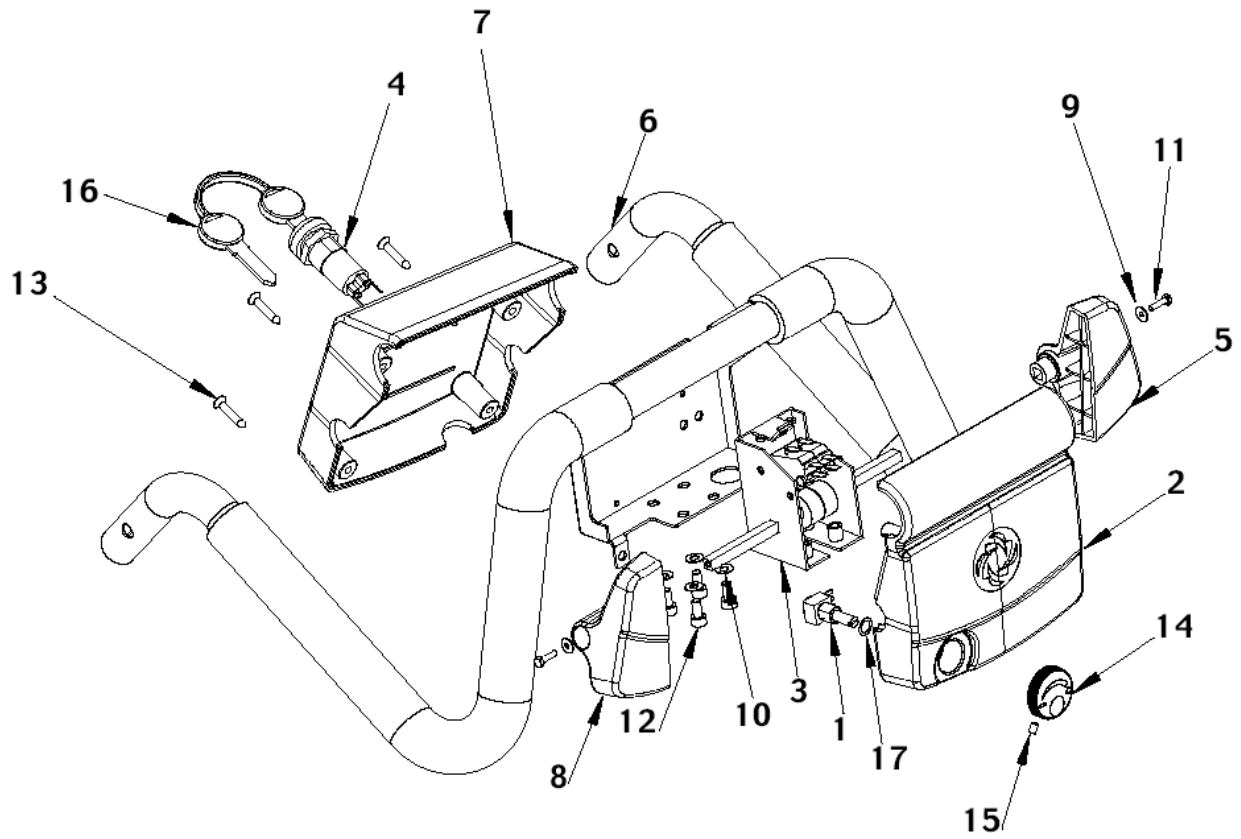
Resource notes:

Note: Pos. 10 (a) 08603859 valid before serial number 030300440 before ODM 1391 Pos. 10 (b) 08603970 valid starting from serial number 030300440 Pos. 1 (c) 08812887 for Fise vacuum motor Pos. 1 (d) 909 5074 000 for Ametek vacuum motor TSB IT 2003-005 TSB IT 2003 005. New Ametek vacuum units Pos. 35 (e) Modification implemented to avoid brakes and improve flexibility of the hose in order to allow wide movements of the squeegee TSB IT 2004-017 BA 430S D serial number 042707834 - BA 510S D 042707853 Pos. 52 (f) New solution hose: kit which replaces the old one 08603903, TSB IT 2004-009, modified to avoid interferences between squeegee suction hose and side solution hose - BA 430S D starting from serial number 041805591 - BA 510S 041805595 - See Installation Instruction 909 5528 000 - New solution hose 909 5515 000 is valid for scrubbers BA430S D starting from serial number 041805591 - BA 510S 041805595 only

Pos.	Vare-nr	Antal	Beskrivelse	Notes
1c	L08812887	2	CARBON BRUSH	[1]
1d	909 5074 000	1	Kulbørste Kit 2 Stk	
2	L08812462	3	Rubber Buffer Ba450/530	
3	L08812082	1	Hose Guide	[1]
4	909 5236 000	1	Prop Rentvandsslange Br601-751	
5	L08236100	1	Hose Clip Ba450/530	[2]
6	9100001348	1	CLAMP HOSE 32-52/12 10 PCS SET	
8	L08603836	1	Pakning - BA 430S	
9	L08603858	1	INSULATION ACOUSTIC KIT BA/CA 430/510 R	[1]
10A	L08603859	1	Wire Kit, Løft Af Sugefod BA/CA 430/510	[3]
10B	L08603970	1	Kabel, Sgueegee Kit 430/510	[2]
11	L08812901	1	Håndtag Ba430/510	[2]
12	L08603888	1	Sugemotor, Kit	
13	L08603860	1	Just.Skrue Til Håndtag Ba430S	[3]
14	909 5515 000	1	Slange Rent Vand Ba430-510	
15	L08812977	1	Pakning	[1]
16	9099692000	1	AFTAPNINGSSSLANGE SORT PKD	
17	33023593	1	CLAMP HOSE 8-16/9 DIN3017 2 PCS SET	
18	L08812873	1	Tømmeslange Kpl Ba450/530	
19	L08603935	1	Dæksel	
20	33023302	4	CAP BLACK SIP	
21	L08812468	3	Afstand Sty. Med Gevind	[2]
23	L08603845	3	CLAMP.CABLE	
24	L08232600	3	Screw Ba450/530	[3]
25	L08603668	4	Screw	
26	L08812966	1	Klemme,Slange. 25 Ss	
27	909 6380 000	1	Slangeklemme Kit	
28	L08602410	1	Demper	
29	L08812968	1	Pakning Ba430/510	
30	L08812874	1	Elbow Assly	[2]
31	L08603041	3	Skrue M5X10 F/Ca340 F/Sugemundstk.	
32	L08812897	1	COVER PLAST. GREY F TANK KIT	[1]
33	L08812896	1	TANK WATER 40L PLAST. GREY	[1]
34	L08812318	1	SLEEVE	[1]
35E	909 5582 000	1	Sugeslange Ba430S/510S	
36	145 8589 000	1	PIPE.ACOUSTIC INSULATION	[1]
37	L08200800	4	Skive M4 Rustfri Stål Uni6592	
38	33023208	3	WASHER M8 UNI6592 10 PCS SET	
39	L08603689	2	WASHER 6X18X1.5 UNI6593 SS	
40	33004122	2	Skrue Til Slange Ba510	[3]
41	909 5704 000	1	Hose Superflex D.38 L390	[1]
42	9100000818	1	CAGE FLOAT HALF 2 PCS SET	
43	9100000817	1	BALL FLOATING PKD	
44	L08812926	1	Holder,Float Cage	[2]
45	L08603918	2	SCREW M6X25 PAN HD PHIL SS ISO7045	[1]
46	145 0541 000	1	TIE CABLE 7.6X290 BLACK	[1]
47	909 5042 000	1	INSULATION ACOUSTIC	[1]
48	33003963	2	SCREW M5X20 HEX HD F/THD ISO4017	
49	33004151	1	Screw M6X80 Uni5931 Ss	[1]
50	L08812449	1	SPACER D.6X8 H.29 BRASS	[1]
51	L08603916	1	Slangeklemme 12/16-27	
52F	909 5527 000	1	Slangekit, Rent Vand BA/CA 430-510S Ny T	
53	L08603910	1	INSULATION ACOUSTIC	[1]
54	909 5099 000	1	Justeringsskrue Kit	
55	909 5285 000	1	Bøjning 90 Gr.	
56	909 5286 000	1	Pakning	

Part Notes:

- [1] - GUARANTEE DATE EXPIRED
- [2] - STOCK COVERS GUARANTEE
- [3] - NO LONGER AVAILABLE



Resource notes:

Note: Pos. 7 (a) Old lower paddle cover before serial number 043009258 Pos. 7 (b) New lower paddle cover from serial number 043009258 see TSB IT 2004- 018TSB IT 2004-018. New paddle cover and key switch ON/OFF position

Pos.	Vare-nr	Antal	Beskrivelse	Notes
01	909 5123 000	1	Potentiometer Ba430/510S	[1]
02	909 5118 000	1	Skjold Afbryder Front	[1]
03	909 5705 000	1	Controller, Speed	[2]
04	9100001354	1	SWITCH KEY WITH CAP PKD	
05	909 5119 000	1	Hængsel, Højre BA 430S	[3]
06	909 5113 000	1	Håndtag Ba430/510	[1]
07A	909 5117 000	1	Hus,Bryder Bag	[4]
07B	909 5521 000	1	Kontakthus, Bag 430/510	[5]
08	909 5120 000	1	Køreknapp Venstre Ba510Sd	[1]
09	L08812097	2	Washer 3,2 Plated Washer	[1]
10	33023195	4	WASHER PLAIN M5 ISO7089 10 PCS SET	
11	145 9117 000	2	Skruer Te M 3X 12	[1]
12	33023649	4	SCREW M5X10 HEX HD F/THD ISO4017 10PCS.S	[1]
13	145 5871 000	4	SCREW 4.2X22 SELF C/SUNK PHIL ISO7050	[1]
14	909 5116 000	1	Knapp,Potensiometer	[1]
15	146 0621 000	1	Z-Skrue	[3]
16	146 2887 000	1	Nøgle (2 Pcs) Ba510Sd	
17	33023224	1	WASHER PLAIN M10 ISO7089 10 PCS SET	

## Part Notes:

- [1] - GUARANTEE DATE EXPIRED
- [2] - STOCK COVERS GUARANTEE
- [3] - NO LONGER AVAILABLE
- [4] - GUARANTEE DATE EXPIRED

TSB IT 2004-018 TSB IT 2004-018. New paddle cover and key switch ON/OFF position

- [5] - TSB IT 2004-018  
GUARANTEE DATE EXPIRED

